



US00D781723S

(12) **United States Design Patent**
Seals

(10) **Patent No.:** **US D781,723 S**

(45) **Date of Patent:** **** Mar. 21, 2017**

(54) **WATCH**

(71) Applicant: **Michael Seals**, El Dorado Hills, CA
(US)

(72) Inventor: **Michael Seals**, El Dorado Hills, CA
(US)

(**) Term: **15 Years**

(21) Appl. No.: **29/549,938**

(22) Filed: **Dec. 29, 2015**

(51) **LOC (10) Cl.** **10-02**

(52) **U.S. Cl.**
USPC **D10/38**

(58) **Field of Classification Search**
USPC D10/1-29, 30-39, 122-132
CPC A44C 5/025; A44C 5/027; A44C 11/00;
G04B 19/00; G04B 19/06; G04B 19/14;
G04B 19/18; G04B 37/0008; G04B
37/0058; G04B 37/1486
See application file for complete search history.

(56) **References Cited**

U.S. PATENT DOCUMENTS

D463,748 S *	10/2002	Lepeu	D10/30
D479,135 S *	9/2003	Emmenegger	D10/30
D502,412 S *	3/2005	Monachon	D10/39
D577,297 S *	9/2008	Lalo	D10/32
D649,891 S *	12/2011	Binda	D10/39
D652,326 S *	1/2012	Kummer	D10/38
D653,128 S *	1/2012	Vaptzarof	D10/39
D656,044 S *	3/2012	Favre	D10/38
D714,164 S *	9/2014	Vuilleumier	D10/30
D715,163 S *	10/2014	Jamin	D10/126
D717,181 S *	11/2014	Vukcevic	D10/38
D724,961 S *	3/2015	Vaptzarof	D10/124

D724,962 S *	3/2015	Vaptzarof	D10/39
D735,586 S *	8/2015	Stegmann	D10/30
D743,814 S *	11/2015	Miodrag	D10/125
D748,995 S *	2/2016	Babcock	D10/30
D754,550 S *	4/2016	Izuka	D10/30
D756,244 S *	5/2016	Bastian	D10/132
D760,603 S *	7/2016	Soares	D10/32
D764,318 S *	8/2016	Kauffmann	D10/30
D771,505 S *	11/2016	Cerrato	D10/30

* cited by examiner

Primary Examiner — Sheryl Lane

Assistant Examiner — Samantha Wood

(74) *Attorney, Agent, or Firm* — Matthew W. Mitchell;
Mitchell Law PLLC

(57) **CLAIM**

The ornamental design for a watch, as shown and described.

DESCRIPTION

FIG. 1 is a front perspective view of the watch of the present invention;

FIG. 2 is a back perspective view of the watch of FIG. 1; FIG. 3 is a second back perspective view of the watch of FIG. 1;

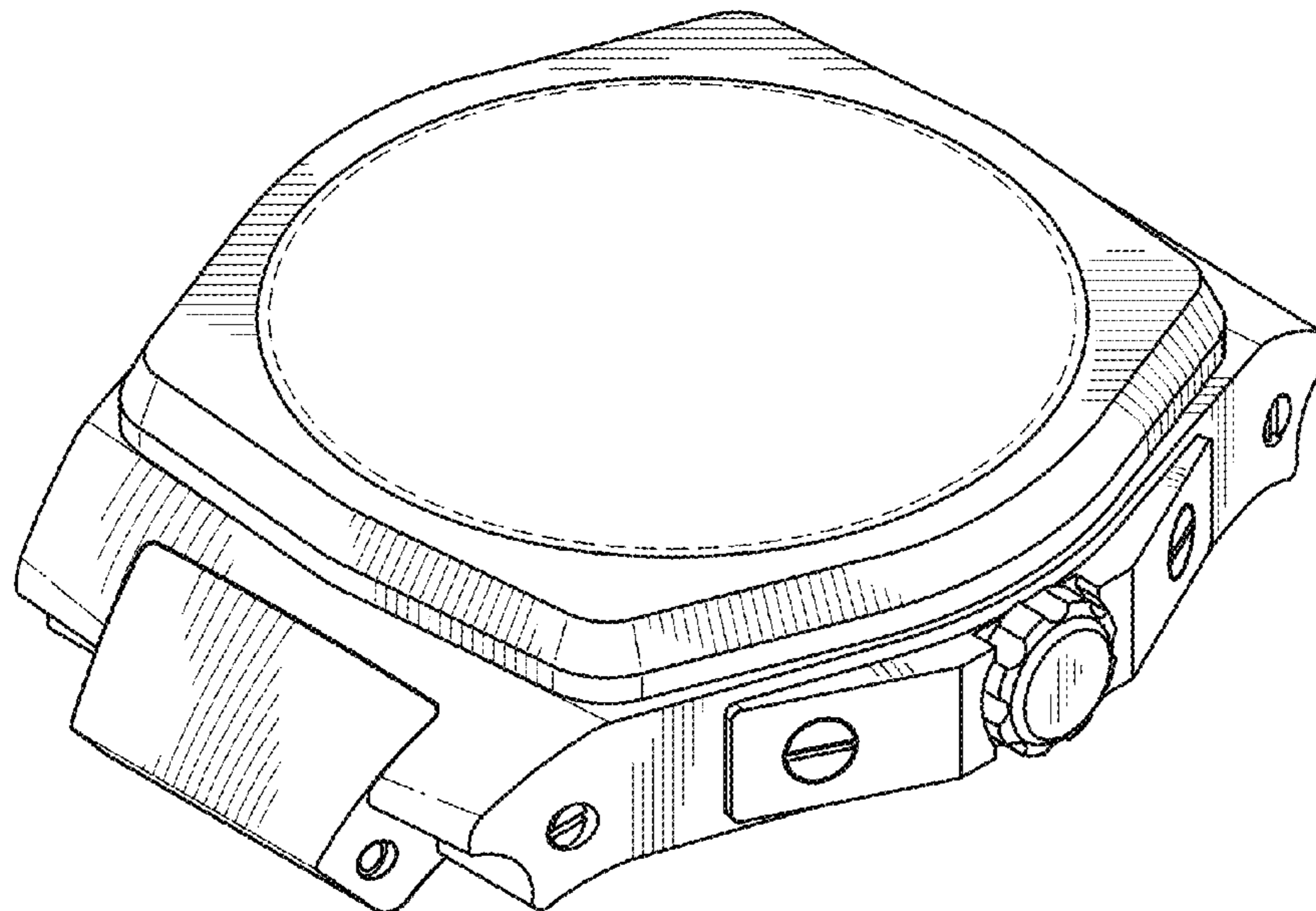
FIG. 4 is a side view of the watch of FIG. 1, as seen from the right side of FIG. 6;

FIG. 5 is a side view of the watch of FIG. 1, as seen from the left side of FIG. 6;

FIG. 6 is a top plan view of the watch of FIG. 1; FIG. 7 is a side view of the watch of FIG. 1, as seen from the bottom side of FIG. 6, the top side view being a mirror image thereof; and,

FIG. 8 is a bottom plan view of the watch of FIG. 1. The broken line showing of the watch is included for the purpose of illustrating the environmental structure and forms no part of the claimed design.

1 Claim, 3 Drawing Sheets



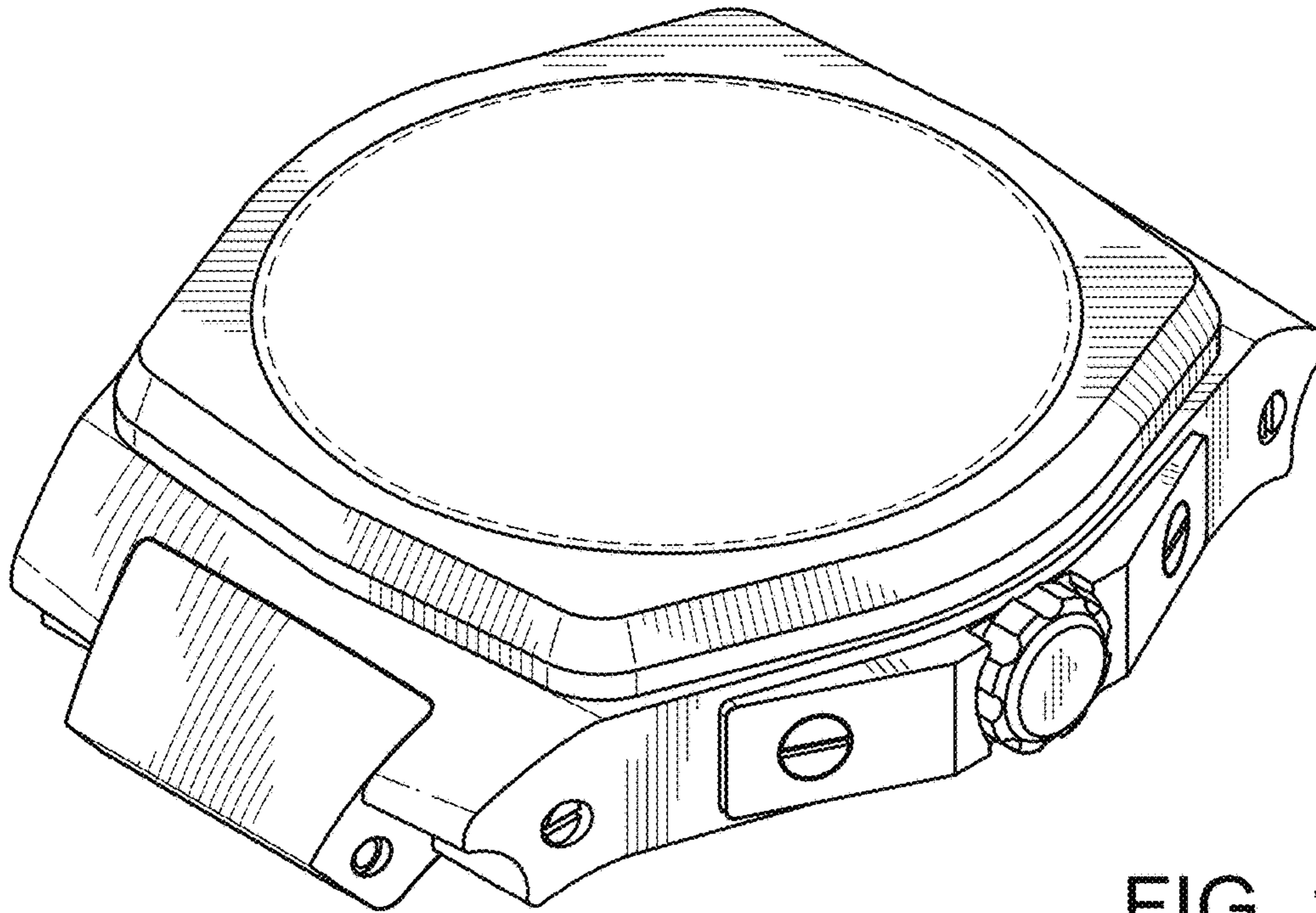


FIG. 1

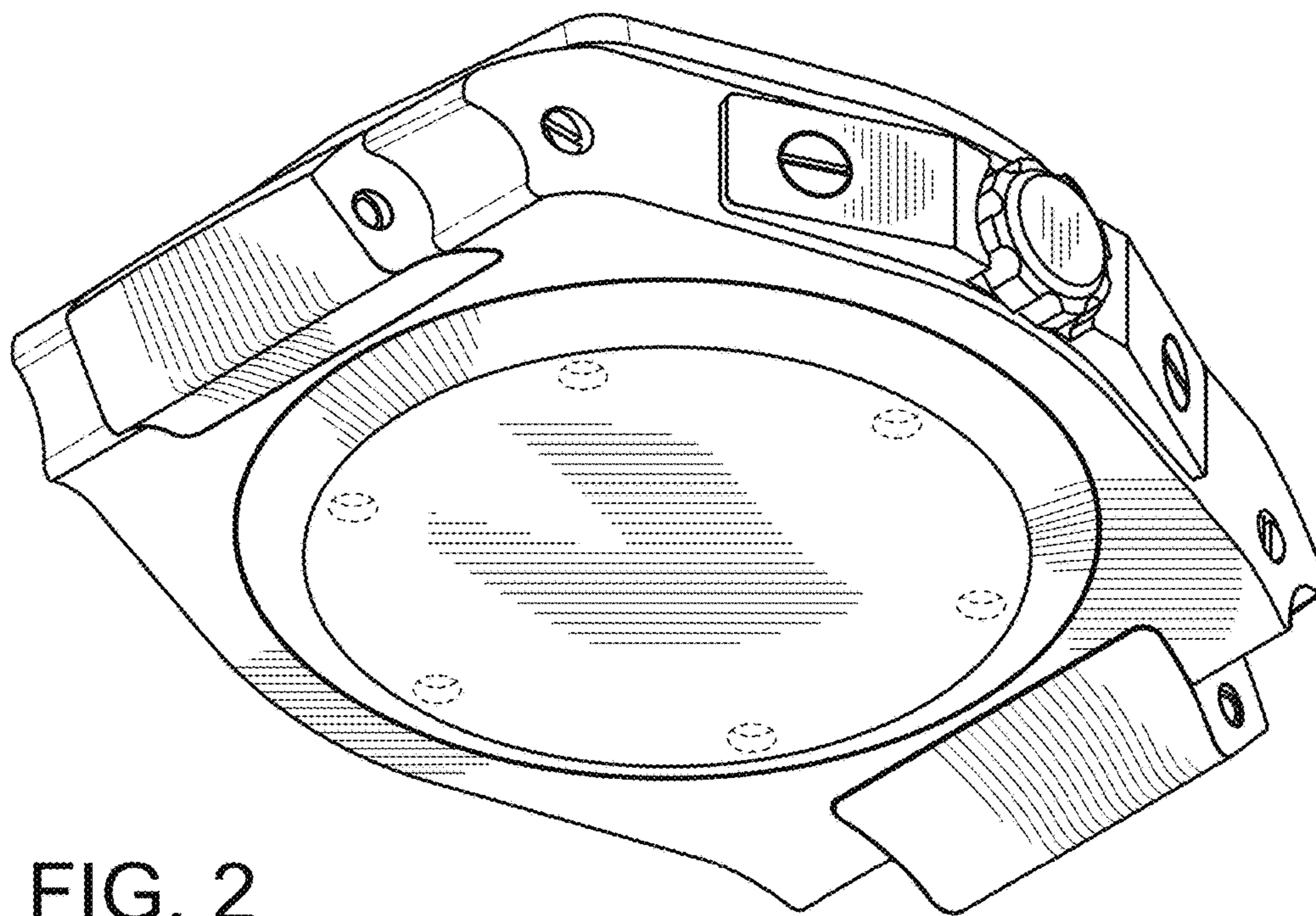


FIG. 2

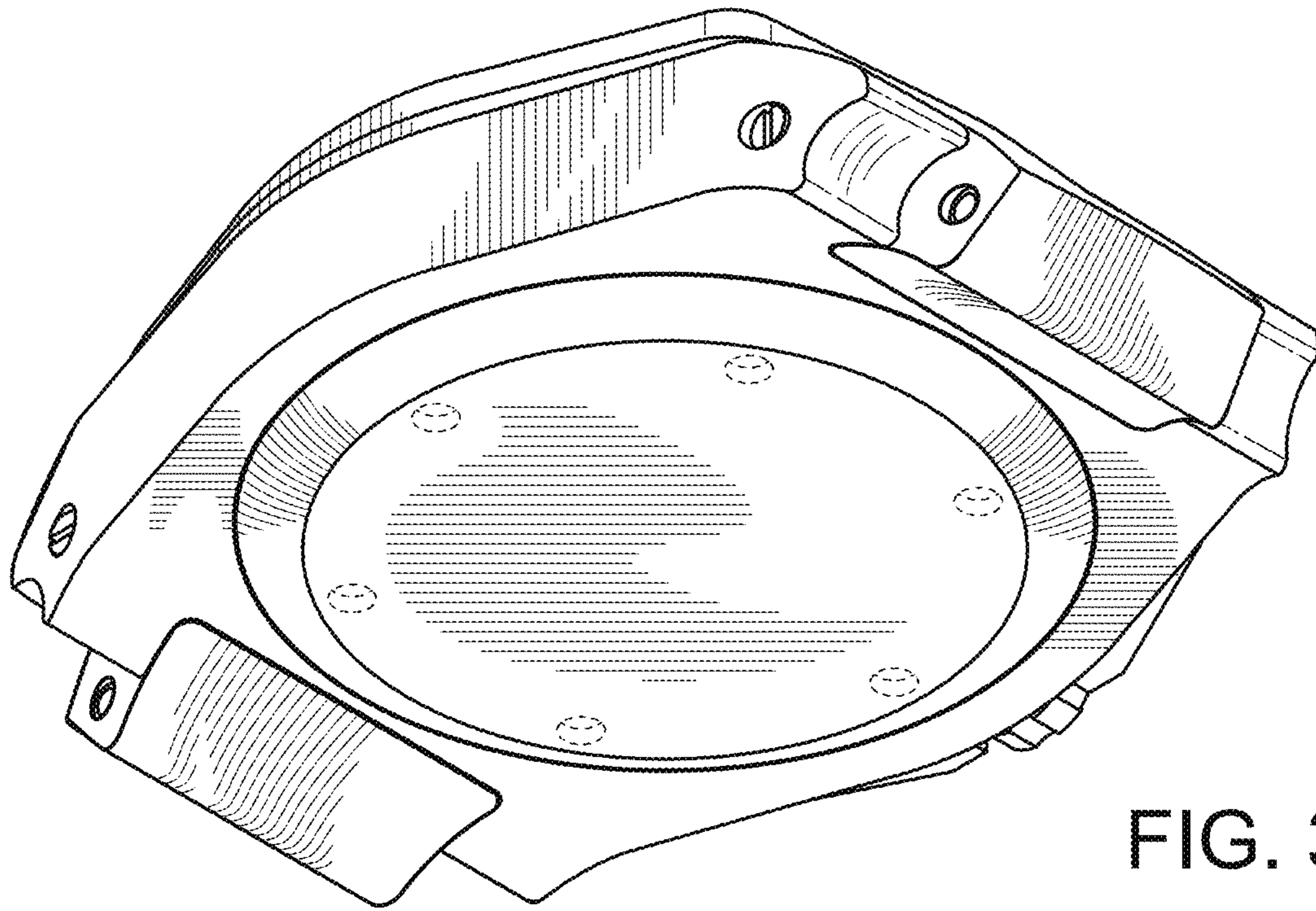


FIG. 3

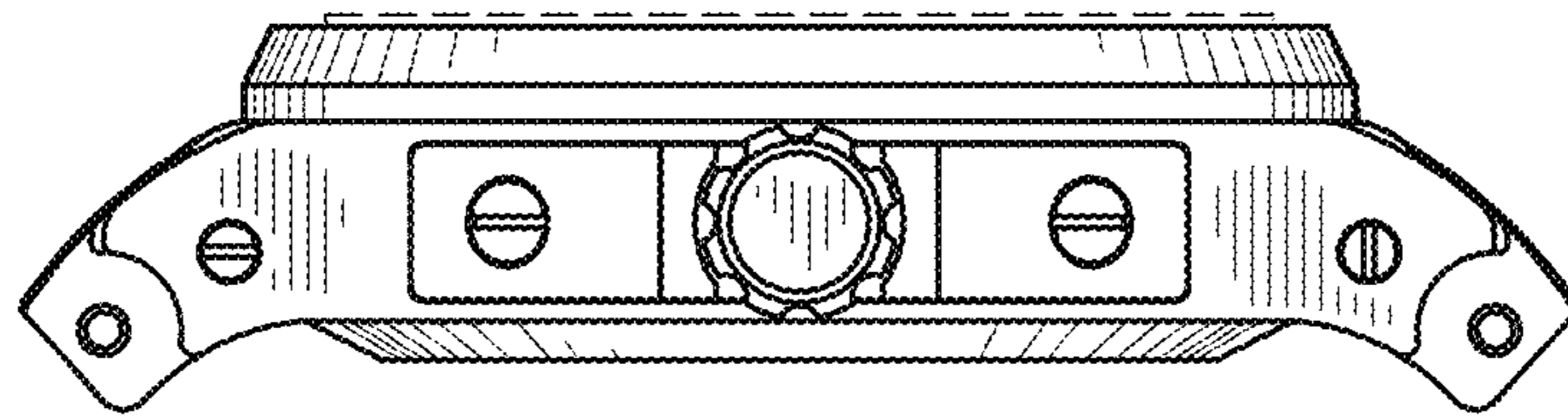


FIG. 4

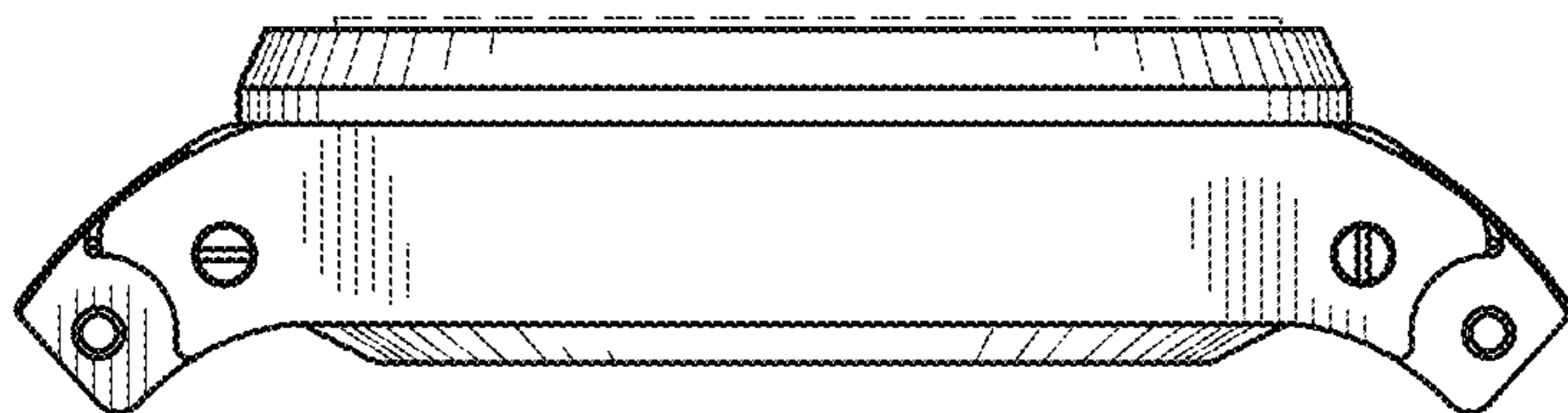


FIG. 5

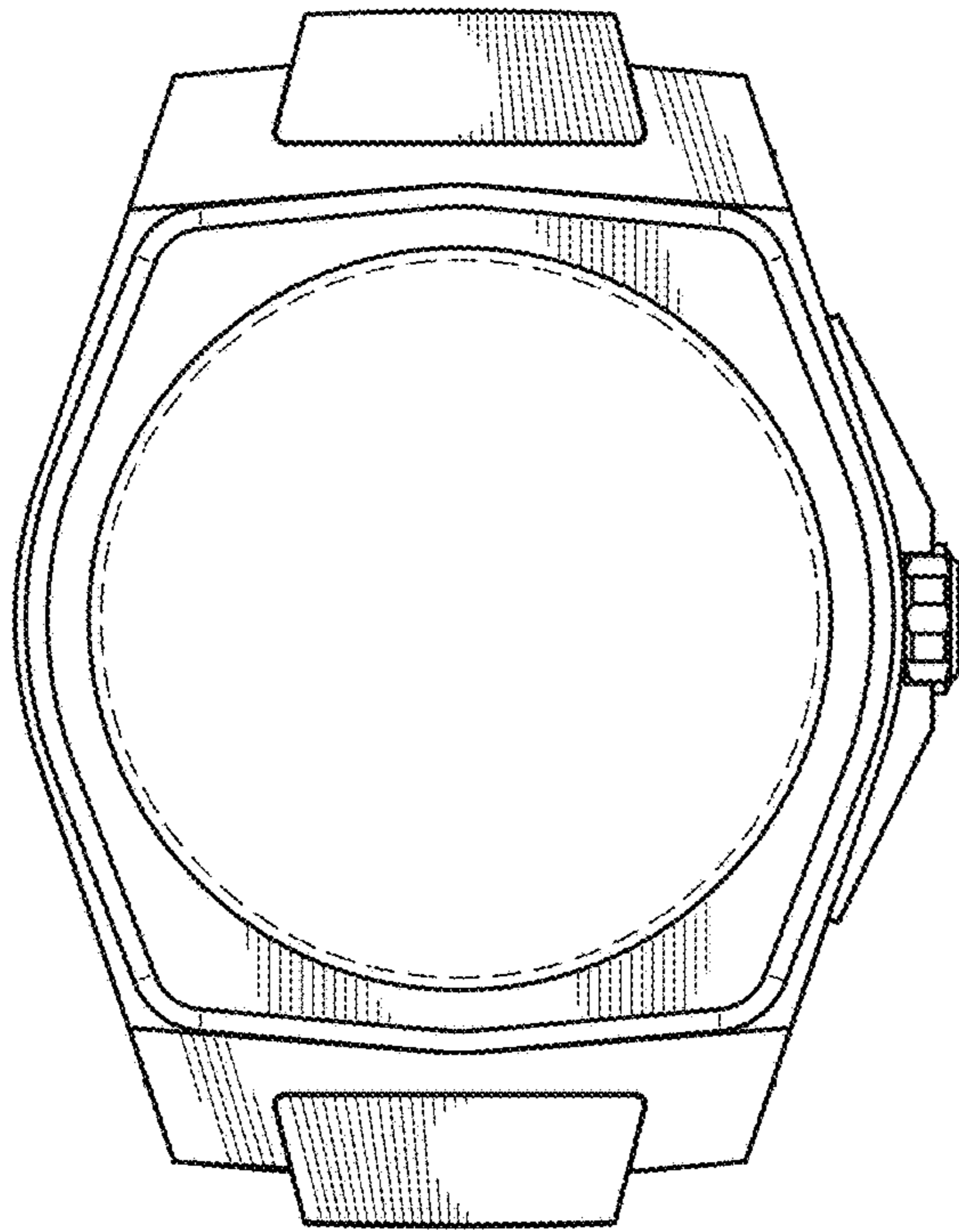


FIG. 6

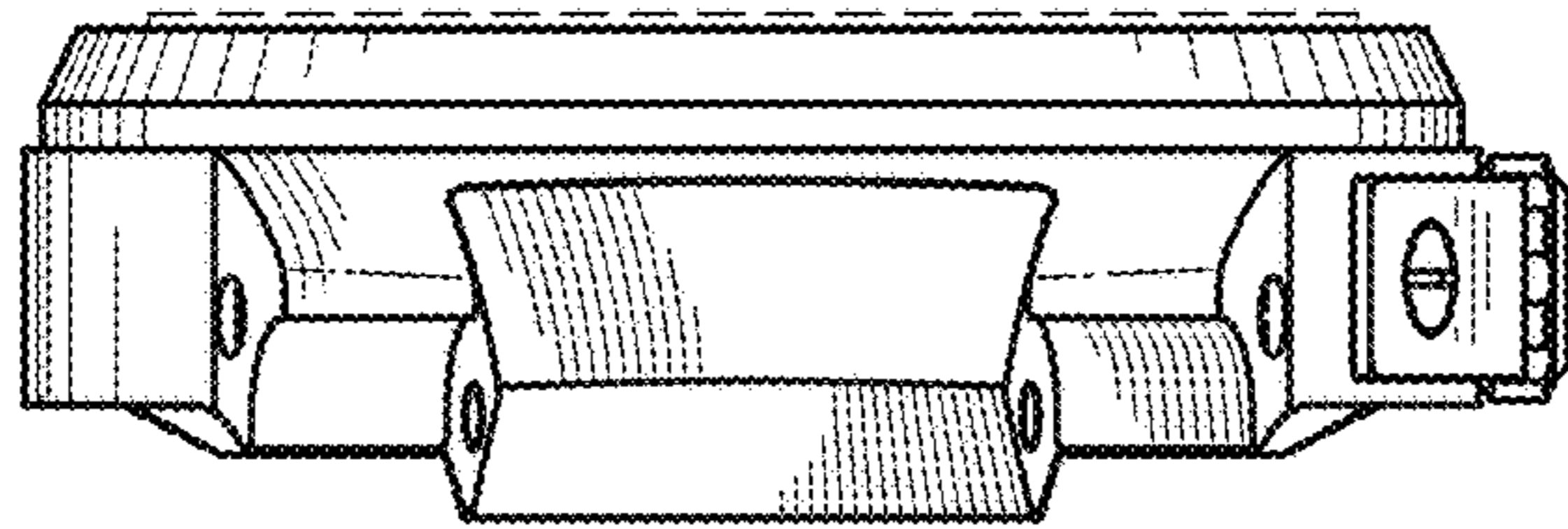


FIG. 7

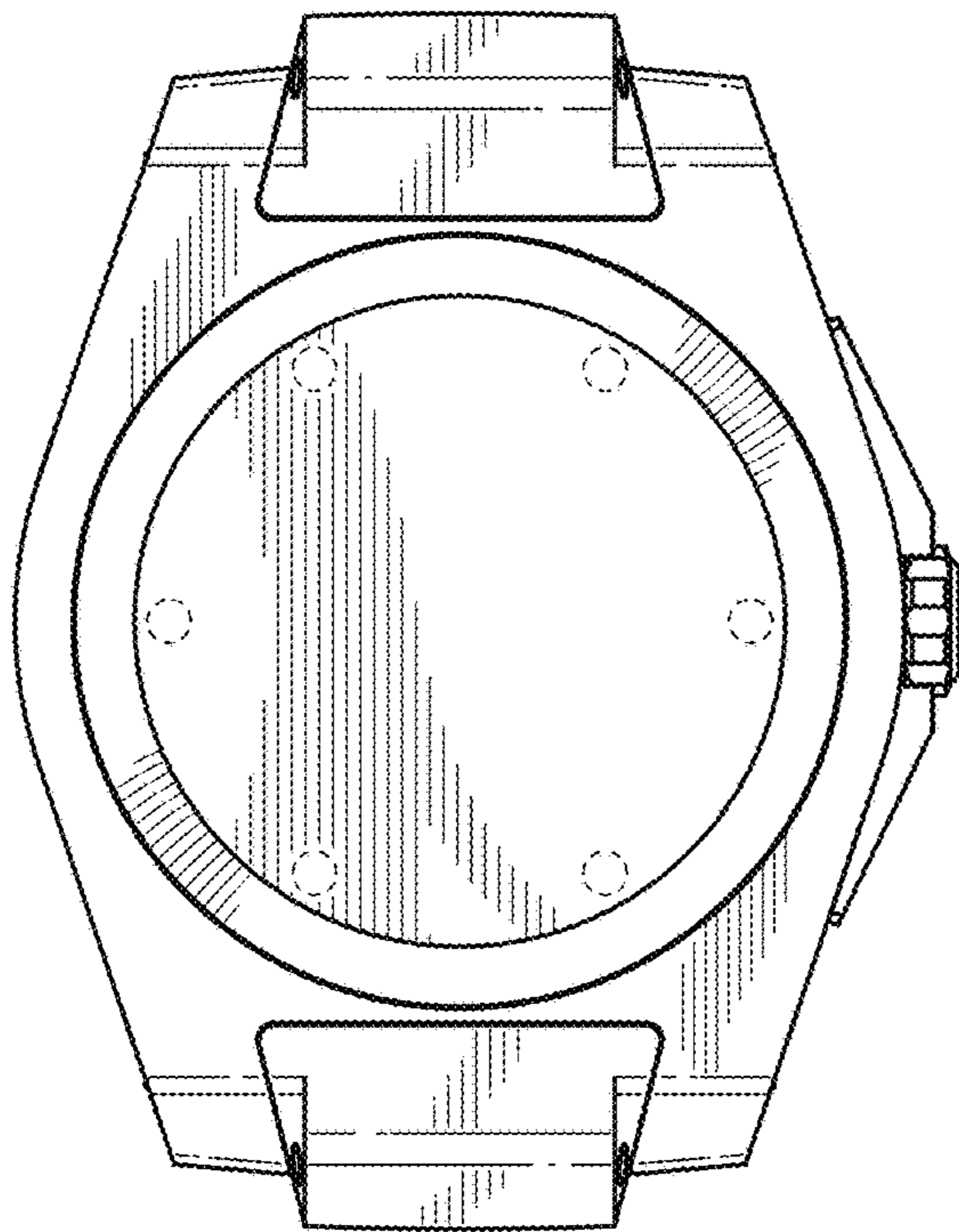


FIG. 8