



US00D781722S

(12) **United States Design Patent**
Behling

(10) **Patent No.:** **US D781,722 S**

(45) **Date of Patent:** **** Mar. 21, 2017**

(54) **WATCH CASE**
(71) Applicant: **LVMH Swiss Manufactures SA**, La
Chaux-de-Fonds (CH)

(72) Inventor: **Christoph Behling**, London (GB)

(73) Assignee: **LVMH SWISS MANUFACTURES SA**, La Chaux-de-Fonds (CH)

(**) Term: **15 Years**

(21) Appl. No.: **29/539,050**

(22) Filed: **Sep. 10, 2015**

(30) **Foreign Application Priority Data**

Mar. 16, 2015 (EM) DM/085979

(51) **LOC (10) Cl.** **10-07**

(52) **U.S. Cl.**
USPC **D10/38**

(58) **Field of Classification Search**
USPC D10/30-39, 122-132, 1-29
CPC G04B 19/00; G04B 19/06; G04B 19/065;
G04B 19/08; G04B 19/10; G04B 19/106;
G04B 19/26; G04B 19/262; G04B 19/268
See application file for complete search history.

(56) **References Cited**

U.S. PATENT DOCUMENTS

D536,627 S *	2/2007	Behling	D10/38
D655,630 S *	3/2012	Behling	D10/38
D658,517 S *	5/2012	Behling	D10/39
D658,518 S *	5/2012	Behling	D10/39
D686,092 S *	7/2013	Schoepfer	D10/39
D692,322 S *	10/2013	Behling	D10/39
D733,583 S *	7/2015	Monachon	D10/126

D734,174 S *	7/2015	Behling	D10/30
D736,103 S *	8/2015	Behling	D10/30
D744,863 S *	12/2015	Behling	D10/126
D744,864 S *	12/2015	Behling	D10/30
D744,865 S *	12/2015	Behling	D10/126
2009/0080294 A1 *	3/2009	Arita	G04B 19/082 368/232

* cited by examiner

Primary Examiner — Catheri Oliver-Garcia

Assistant Examiner — Rebekah A Caruso

(74) *Attorney, Agent, or Firm* — Brown Rudnick LLP;
Mark S. Leonardo

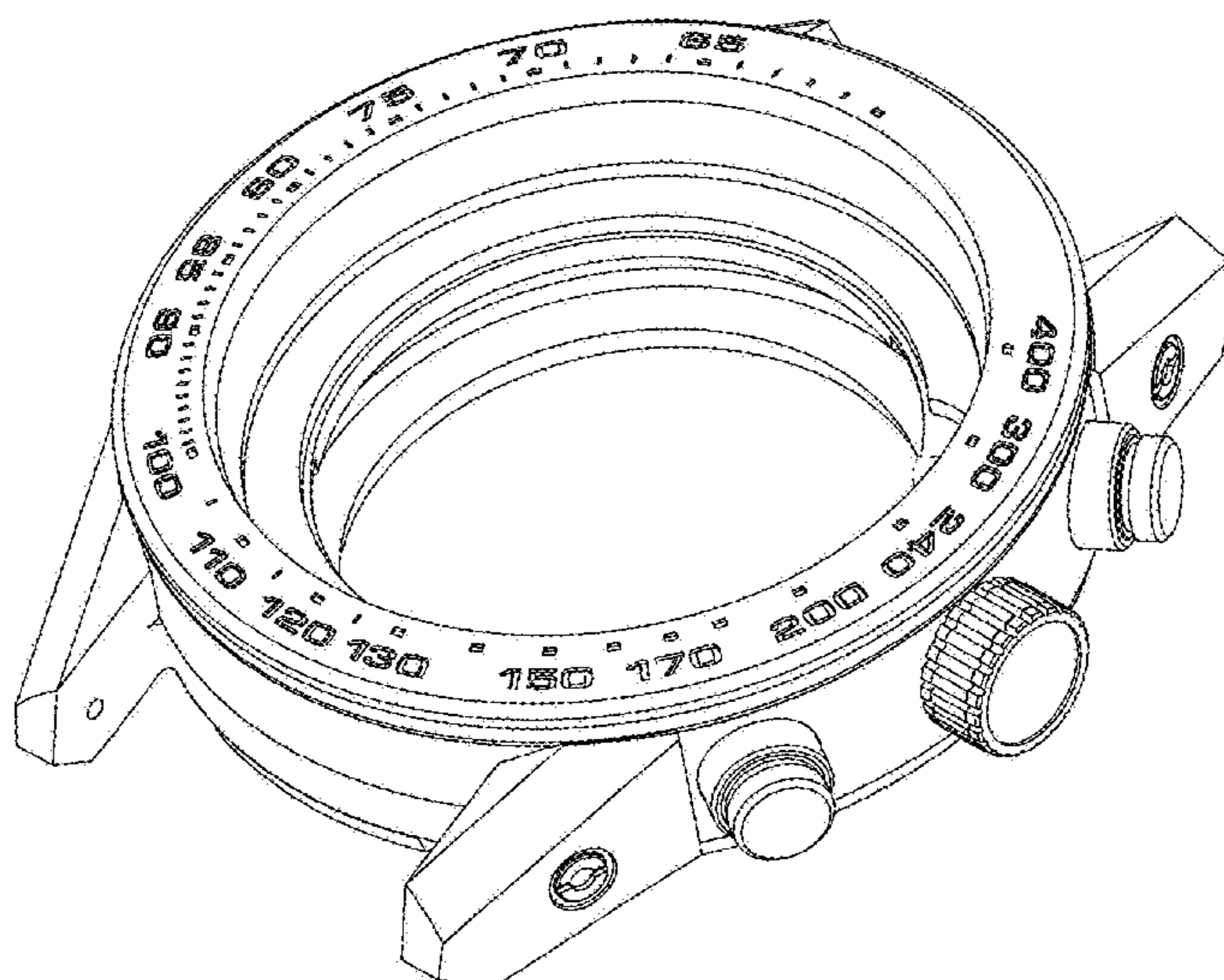
(57) **CLAIM**

The ornamental design for a watch case, as shown and described.

DESCRIPTION

FIG. 1 illustrates a perspective view of a watch case employing an ornamental design in accordance with the present invention;
FIG. 2 illustrates a front view of the watch case of FIG. 1;
FIG. 3 illustrates a rear view of the watch case of FIG. 1;
FIG. 4 illustrates a left side view of the watch case of FIG. 1;
FIG. 5 illustrates a right side view of the watch case of FIG. 1;
FIG. 6 illustrates a top view of the watch case of FIG. 1; and
FIG. 7 illustrates a bottom view of the watch case of FIG. 1.
The structural features depicted with broken lines in FIGS. 1 and 2 have been shown for the purpose of illustrating portions of the watch case that form no part of the claimed design.

1 Claim, 5 Drawing Sheets



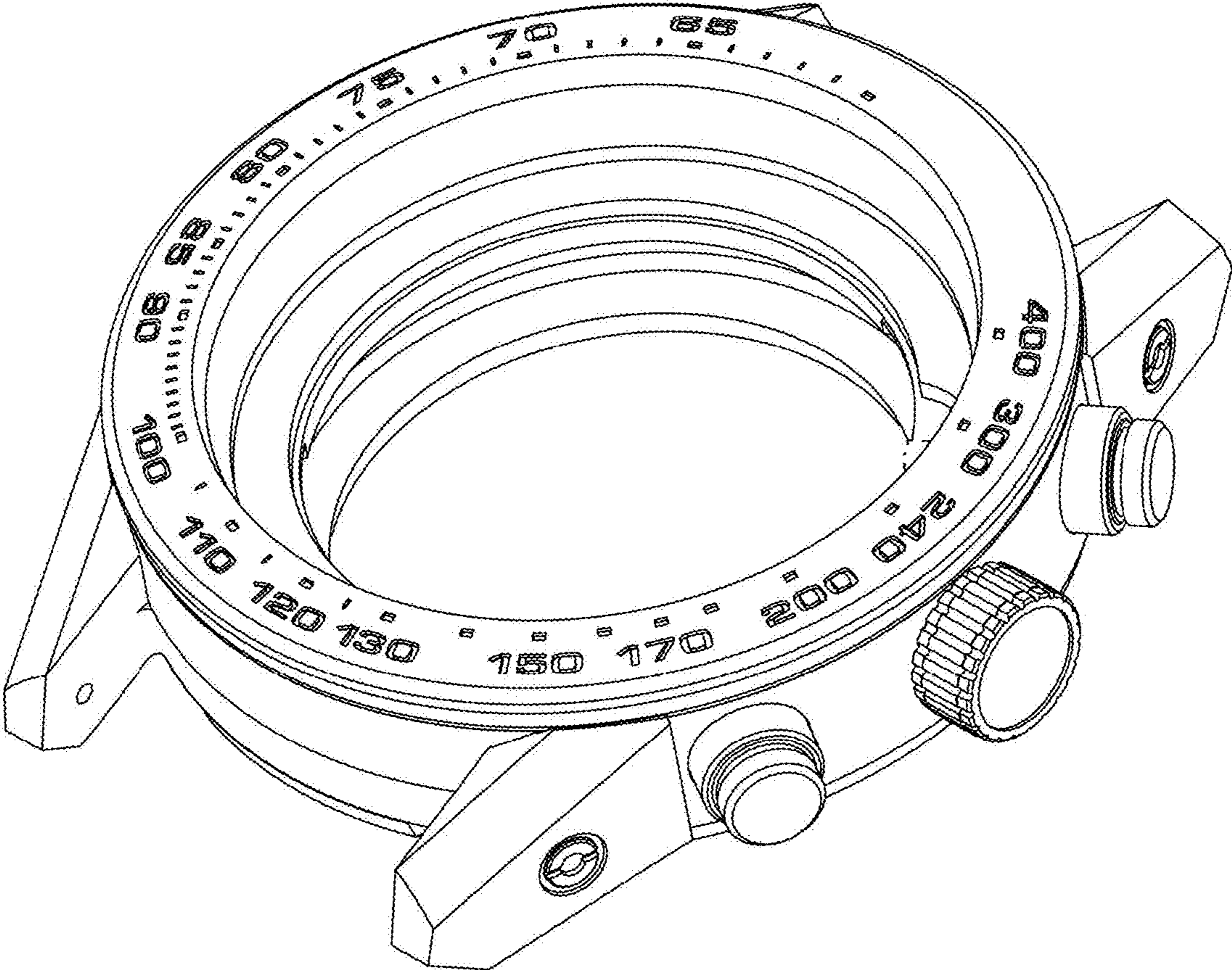


FIG. 1

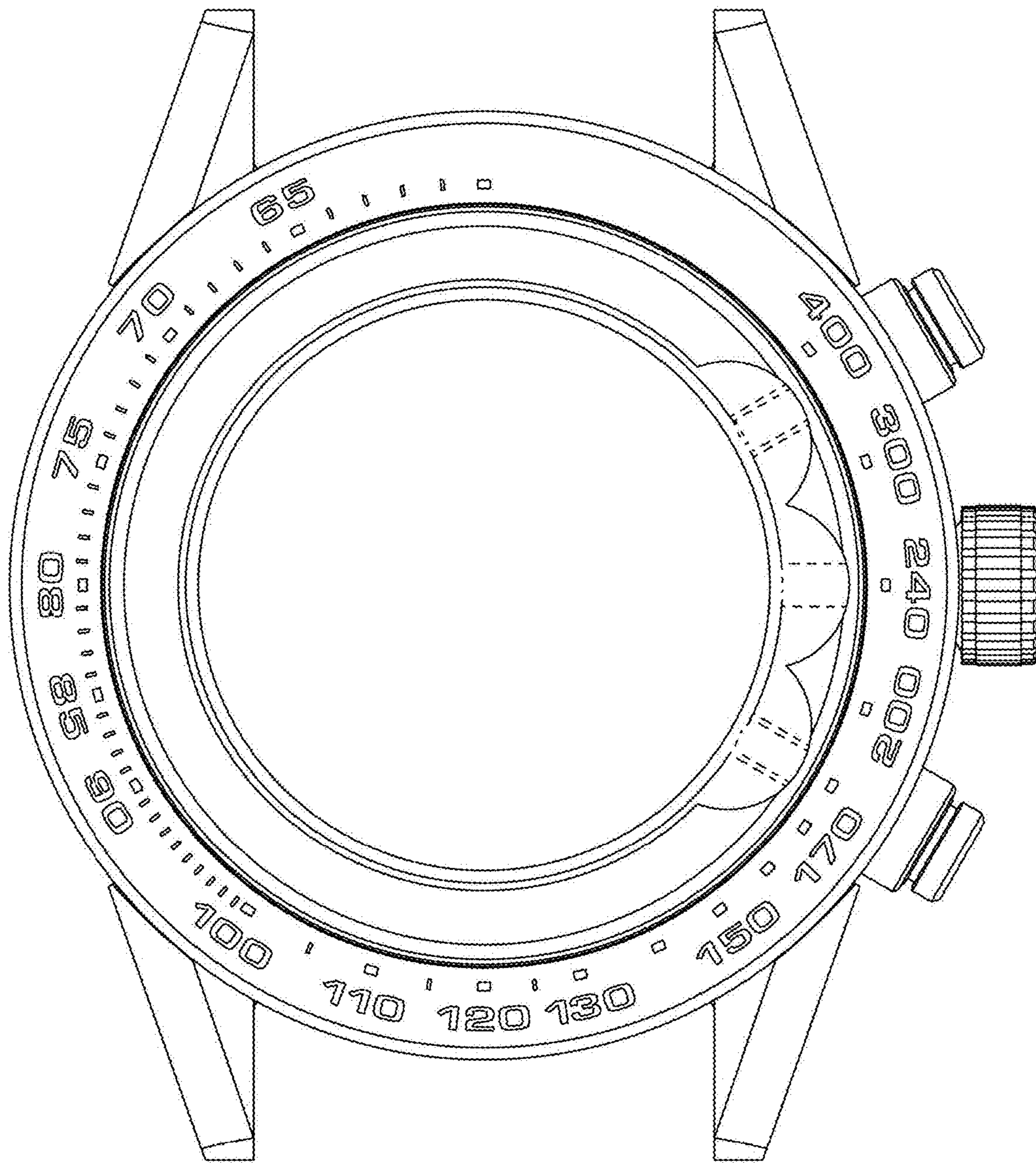


FIG. 2

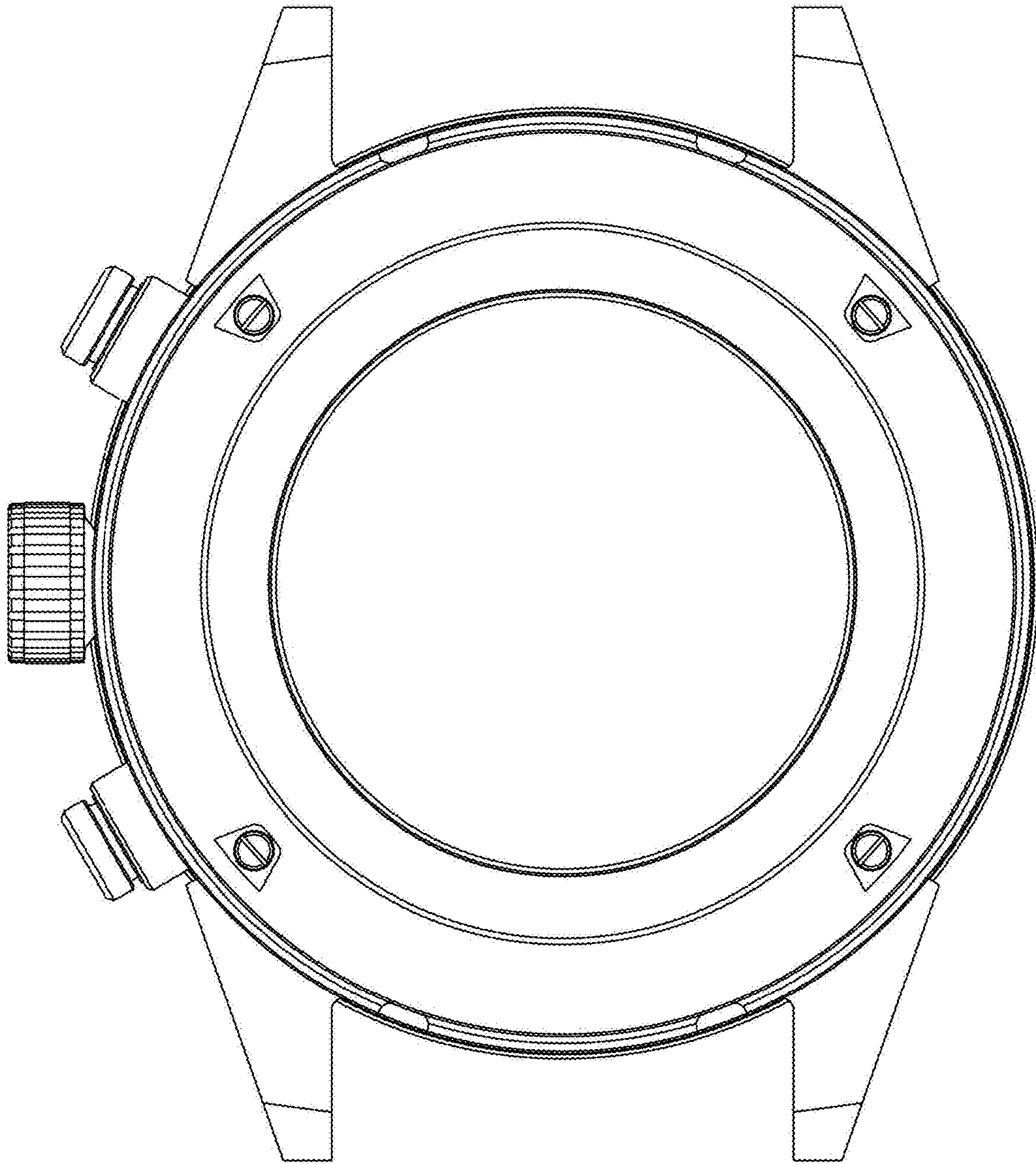


FIG. 3

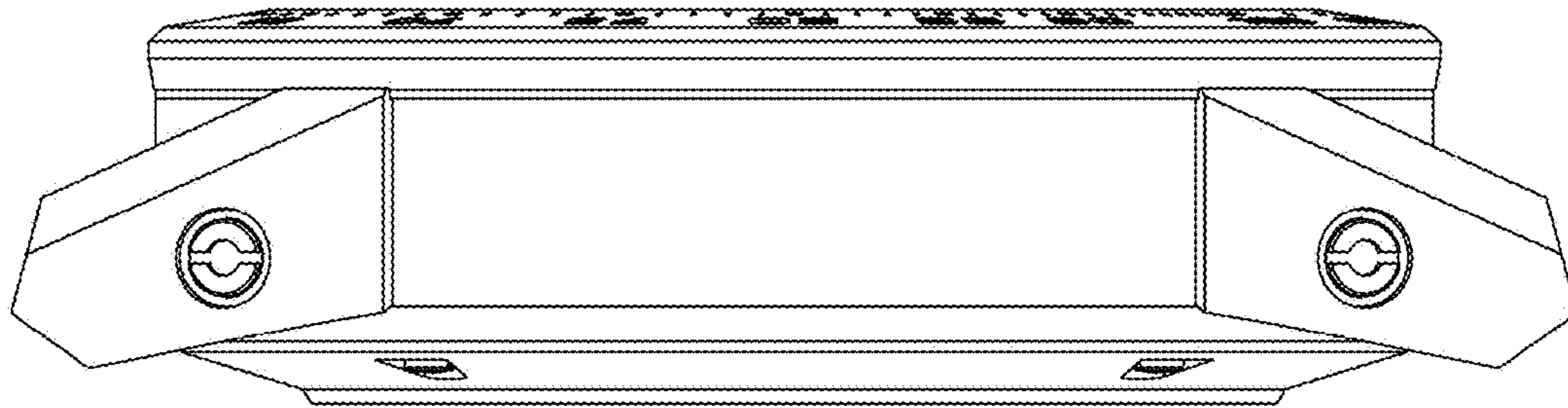


FIG. 4

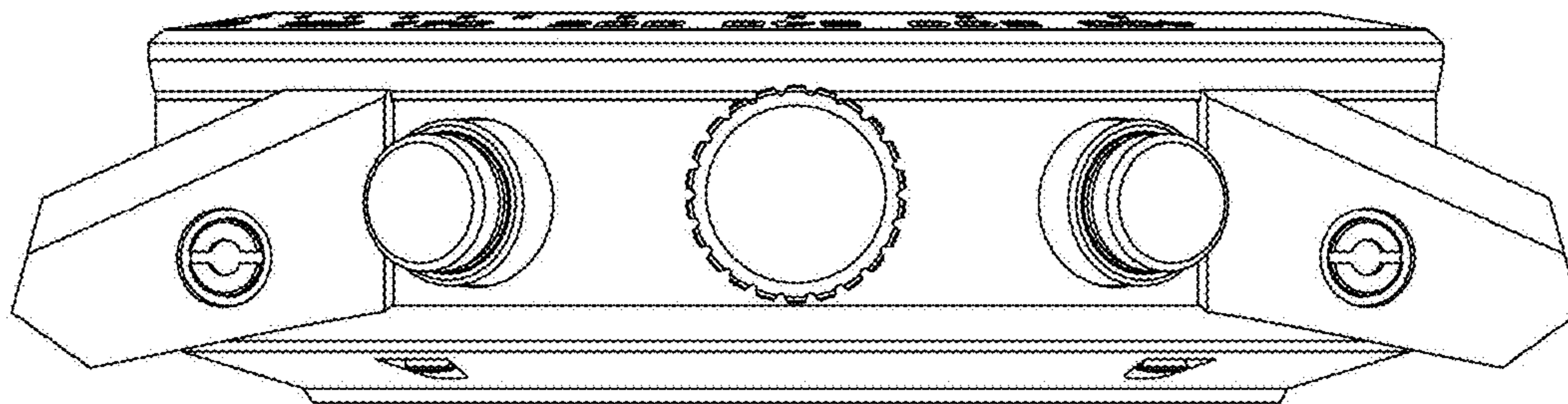


FIG. 5

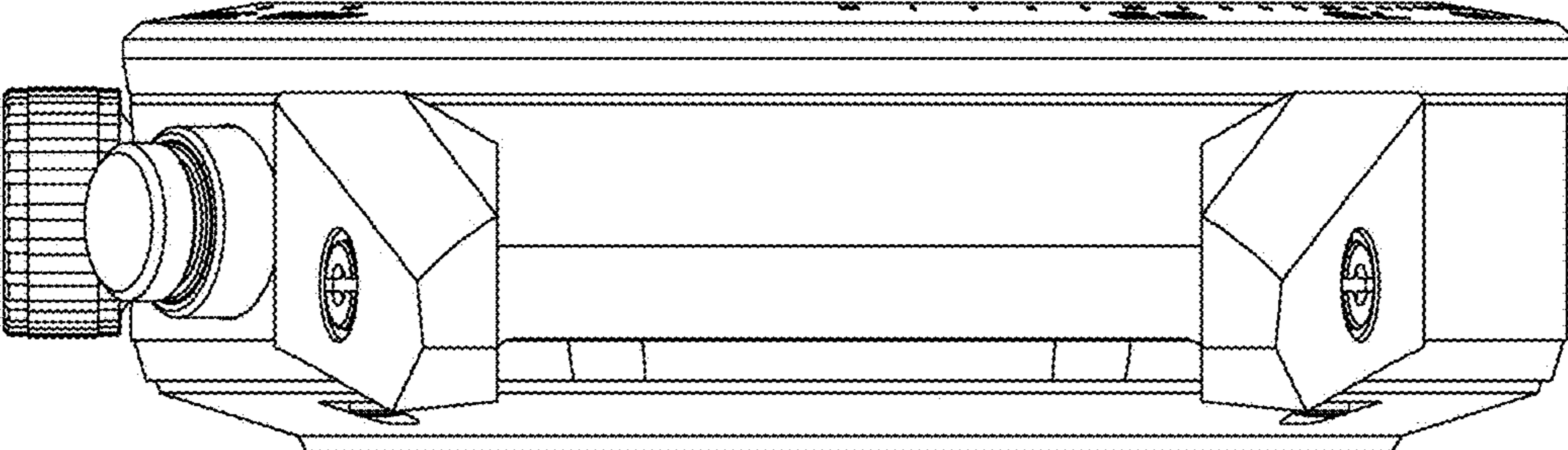


FIG. 6

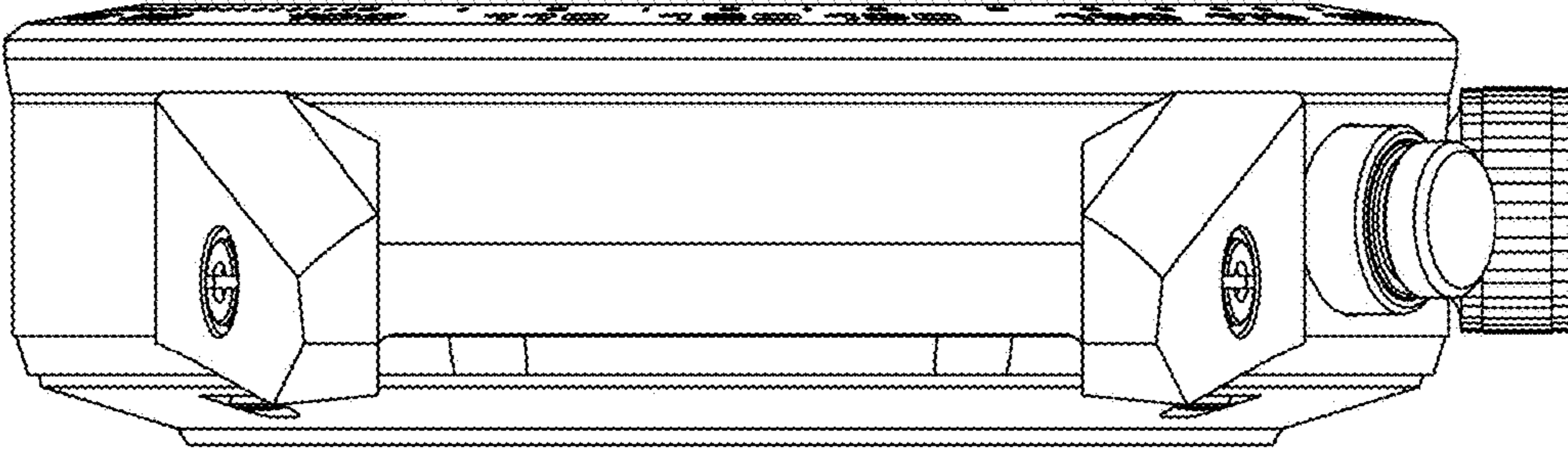


FIG. 7