



US00D781720S

(12) **United States Design Patent**
Duport

(10) **Patent No.:** **US D781,720 S**

(45) **Date of Patent:** **** Mar. 21, 2017**

(54) **WRISTWATCH**

(71) Applicant: **RADO WATCH CO. LTD.**, Lengnau
(CH)

(72) Inventor: **Fabrice Duport**, Neuchatel (CH)

(73) Assignee: **RADO WATCH CO. LTD.**, Lengnau
(CH)

(**) Term: **15 Years**

(21) Appl. No.: **29/556,767**

(22) Filed: **Mar. 3, 2016**

(30) **Foreign Application Priority Data**

Sep. 3, 2015 (WO) DM/087 446

(51) **LOC (10) Cl.** **10-02**

(52) **U.S. Cl.**
USPC **D10/32**

(58) **Field of Classification Search**

USPC D10/1-29, 30-39, 122-132

CPC ... A44C 25/001; A44C 25/007; A44C 5/0053;

A44C 5/22; G04B 19/04; G04B 19/065;

G04B 19/06; G04B 19/08; G04B 19/10;

G04B 19/23; G04B 37/0008; G04B

37/084; G04B 37/0058; G04B 37/1486;

G04B 17/08; H04M 1/6041

See application file for complete search history.

(56) **References Cited**

U.S. PATENT DOCUMENTS

D512,923 S * 12/2005 Bolt D10/39

D525,896 S * 8/2006 Jerovsek D10/126

D528,452 S * 9/2006 Coudray D10/126
D547,213 S * 7/2007 Bulgari D10/39
D564,930 S * 3/2008 Kume D10/126
D568,196 S * 5/2008 Byrne D10/126
D649,481 S * 11/2011 Crocco D10/39
D690,210 S * 9/2013 Takahashi D10/32
D759,511 S * 6/2016 Belamich D10/126
D762,127 S * 7/2016 Jeannet D10/126
D762,134 S * 7/2016 Jeannet D10/126
D762,492 S * 8/2016 Sugiura D10/126
D766,744 S * 9/2016 Laucella D10/30
D770,307 S * 11/2016 Jin D10/32

* cited by examiner

Primary Examiner — Sheryl Lane

Assistant Examiner — Samantha Wood

(74) *Attorney, Agent, or Firm* — Donald J. Ranft; Collen
IP

(57) **CLAIM**

The ornamental design for a wristwatch, as shown.

DESCRIPTION

FIG. 1 is a front right perspective view of a wristwatch showing my new design;

FIG. 2 is a rear right perspective view thereof;

FIG. 3 is a front view thereof;

FIG. 4 is a rear view thereof;

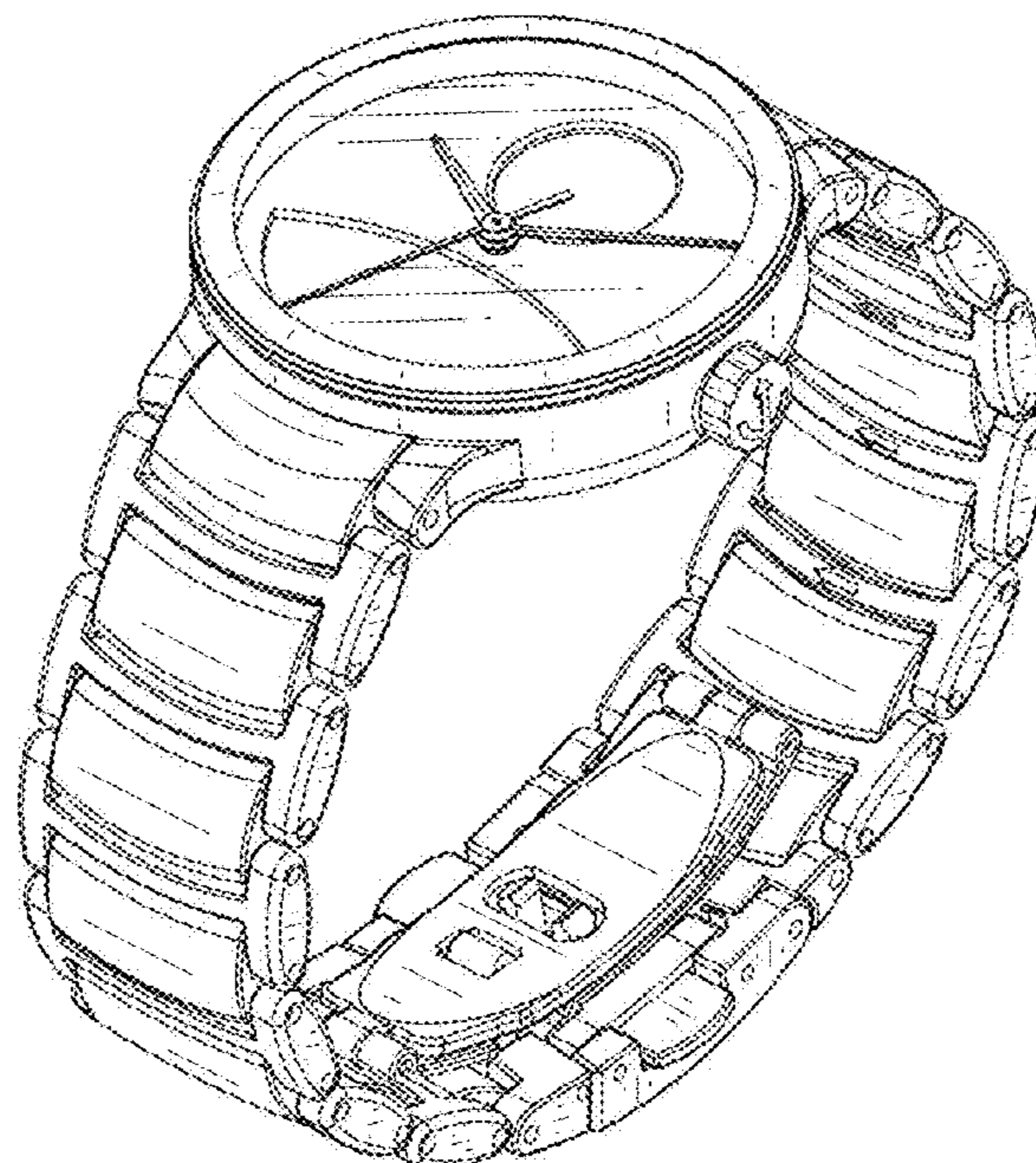
FIG. 5 is a left side view thereof;

FIG. 6 is a right side view thereof;

FIG. 7 is a bottom view thereof; and,

FIG. 8 is a top view thereof.

1 Claim, 4 Drawing Sheets



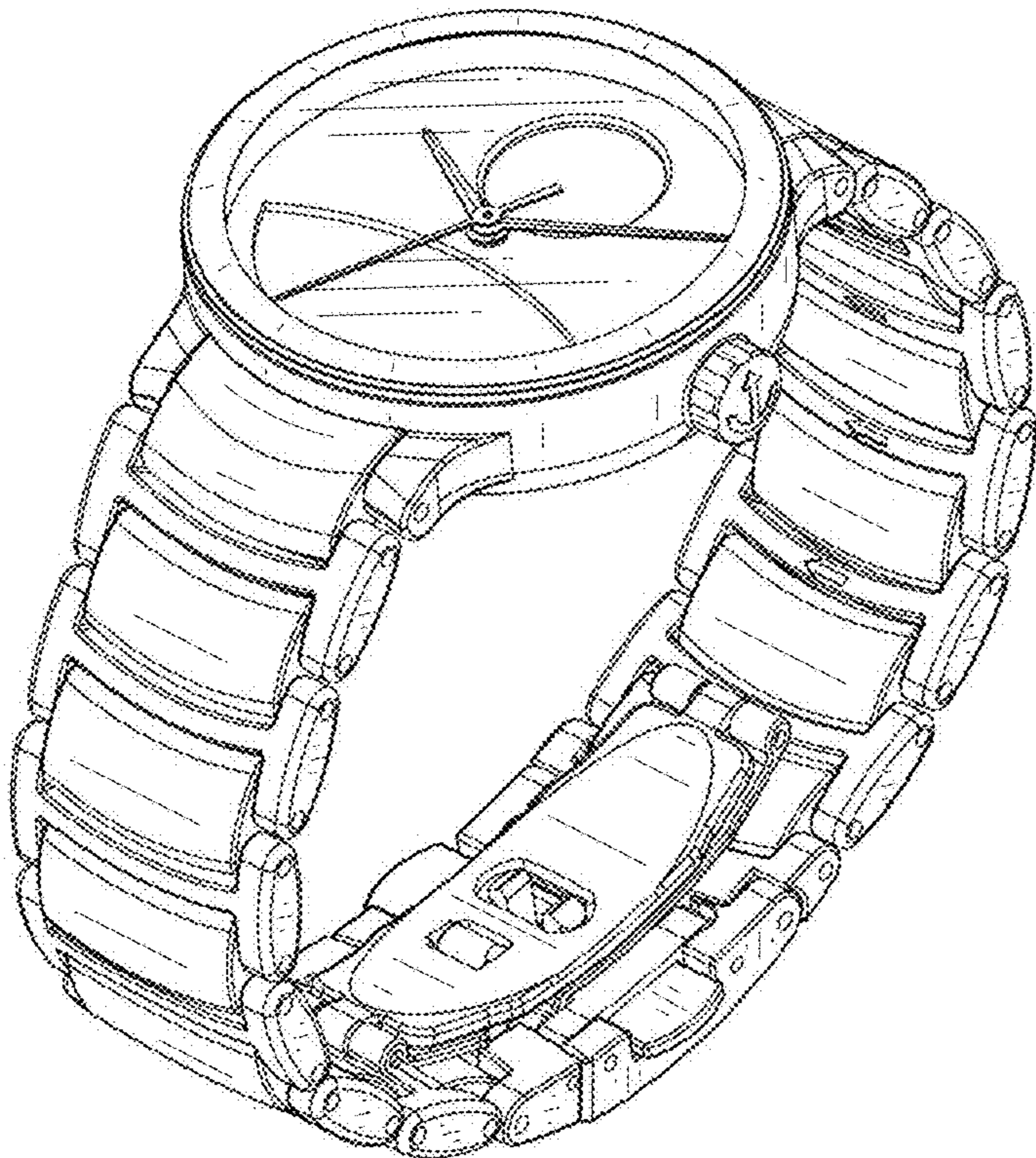


FIG. 1

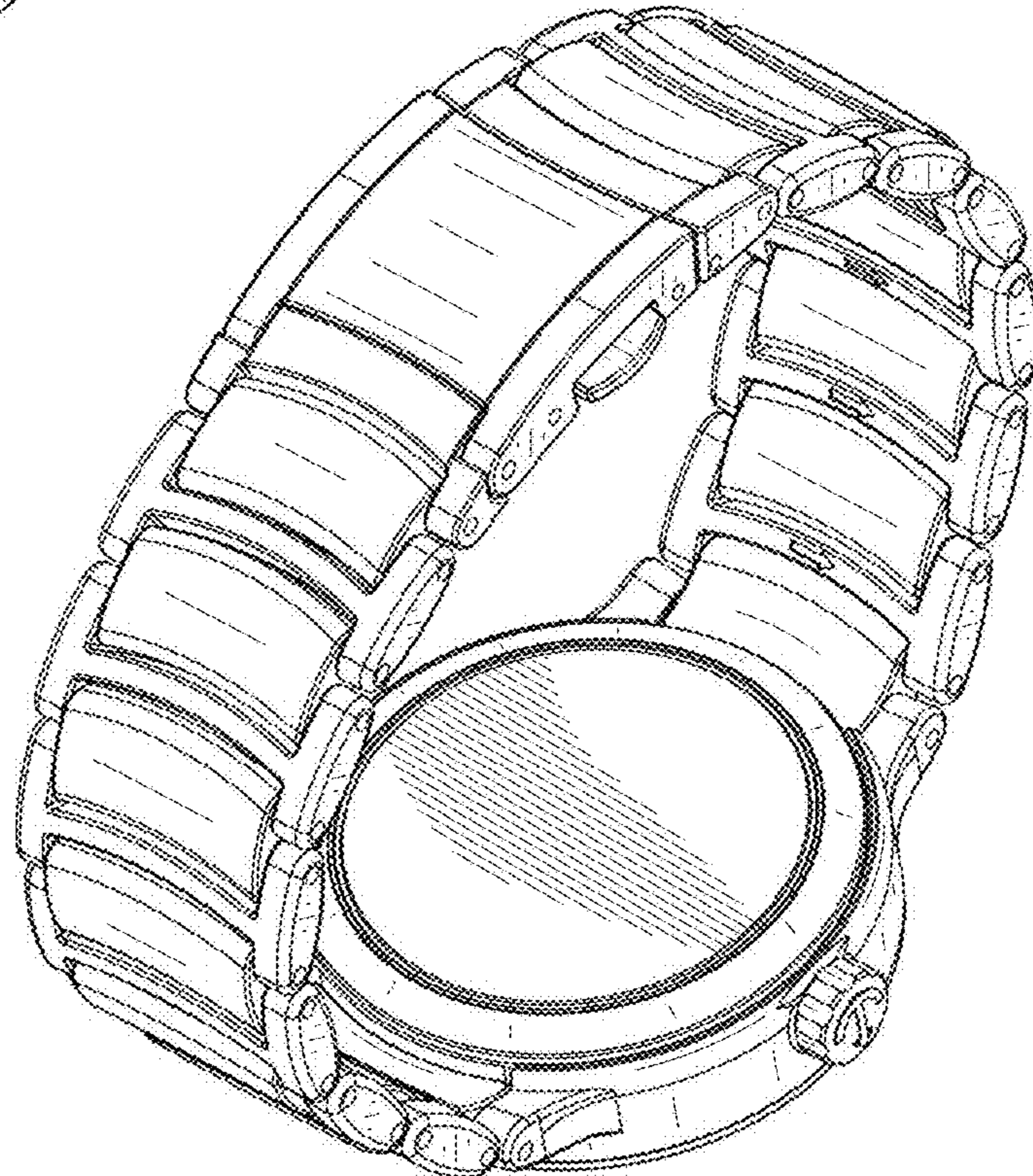


FIG. 2

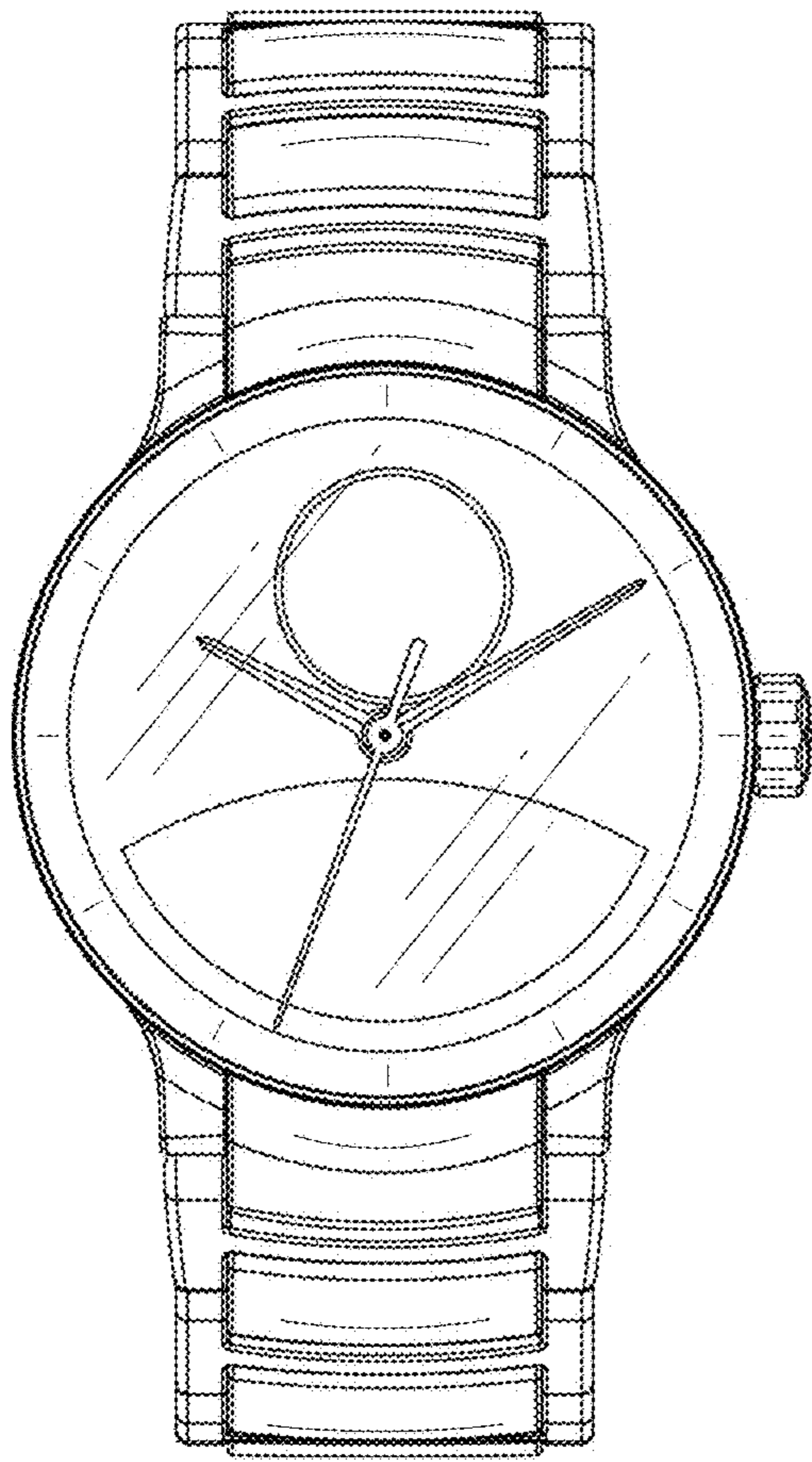


FIG. 3

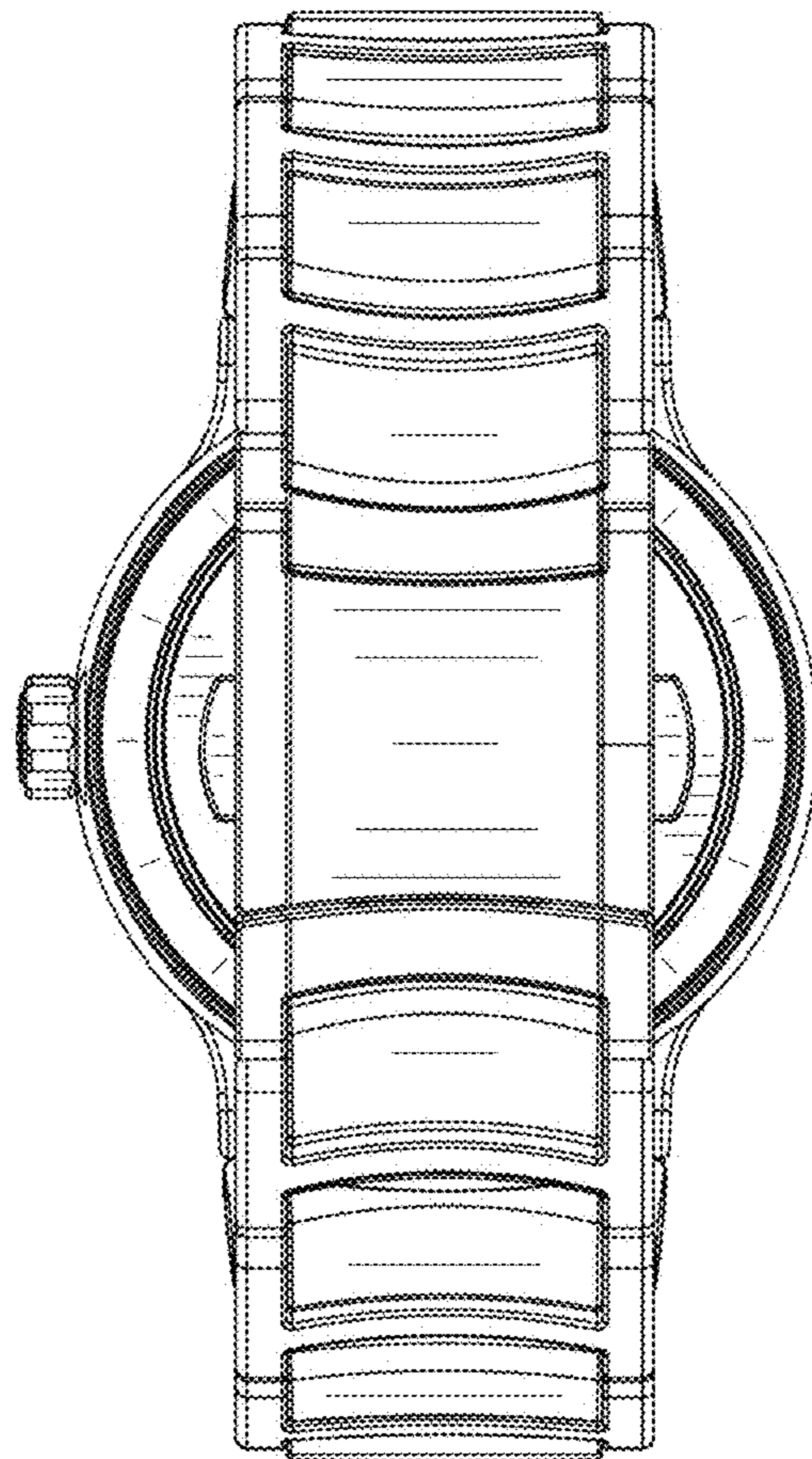


FIG. 4

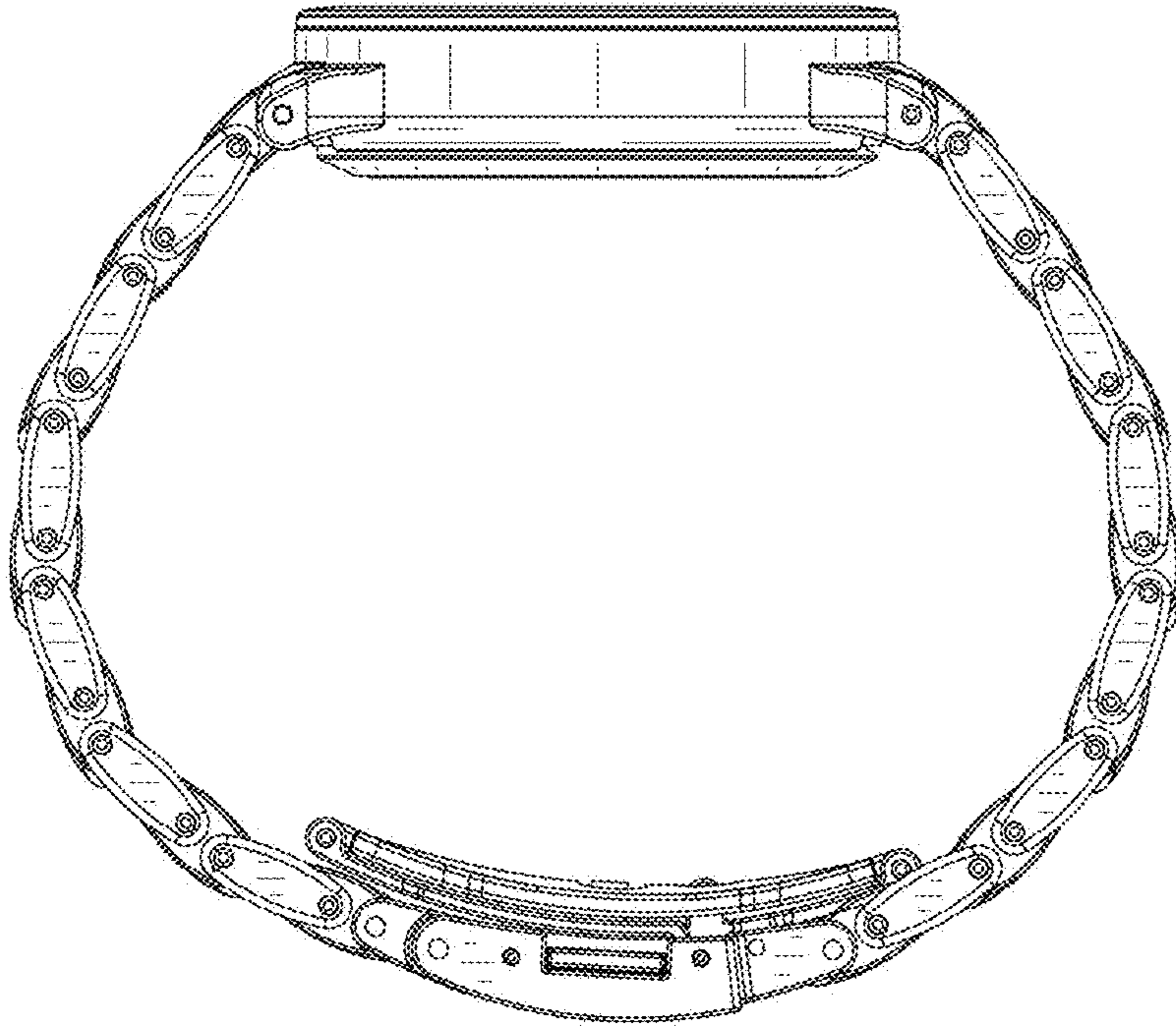


FIG. 5

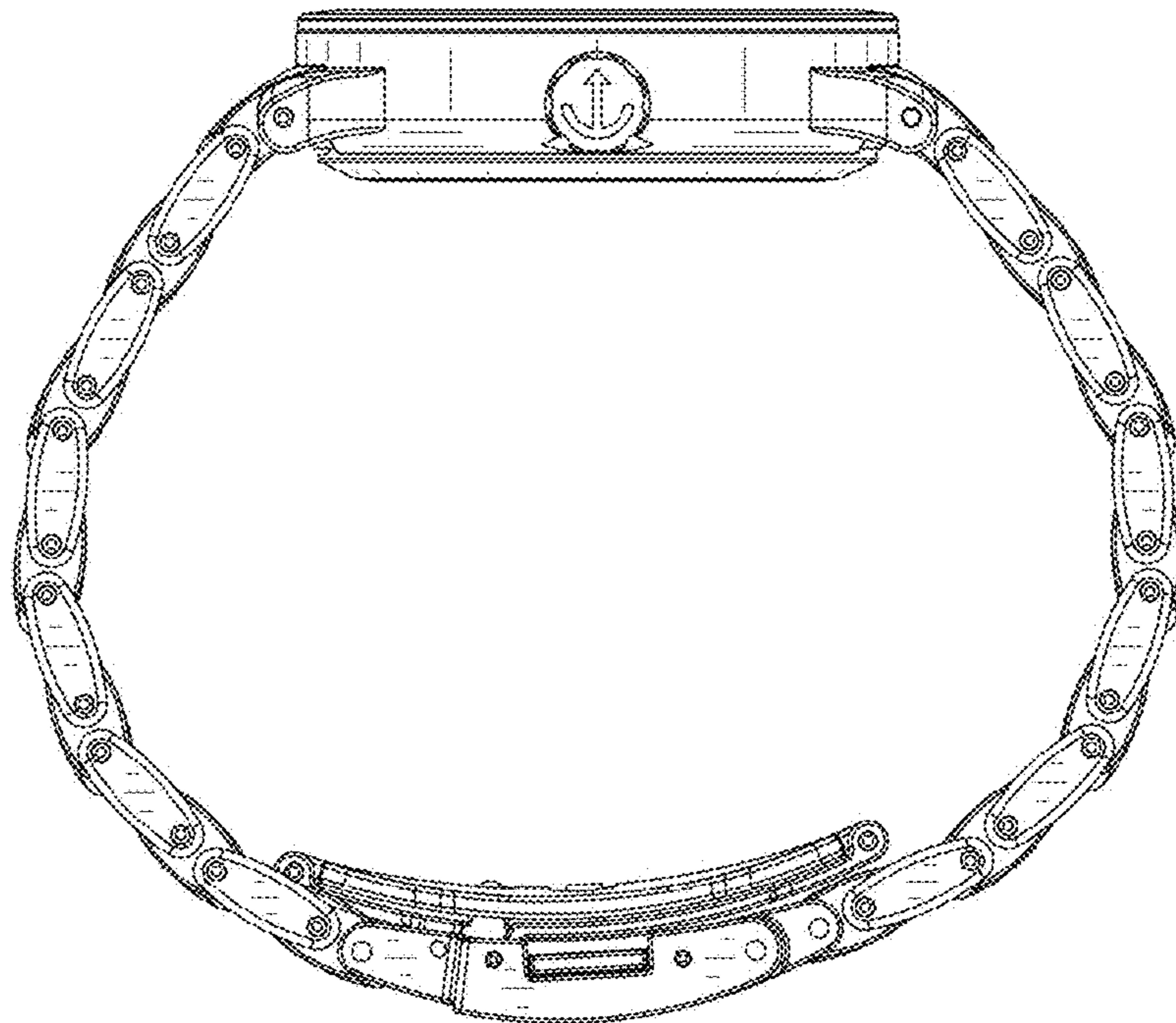


FIG. 6

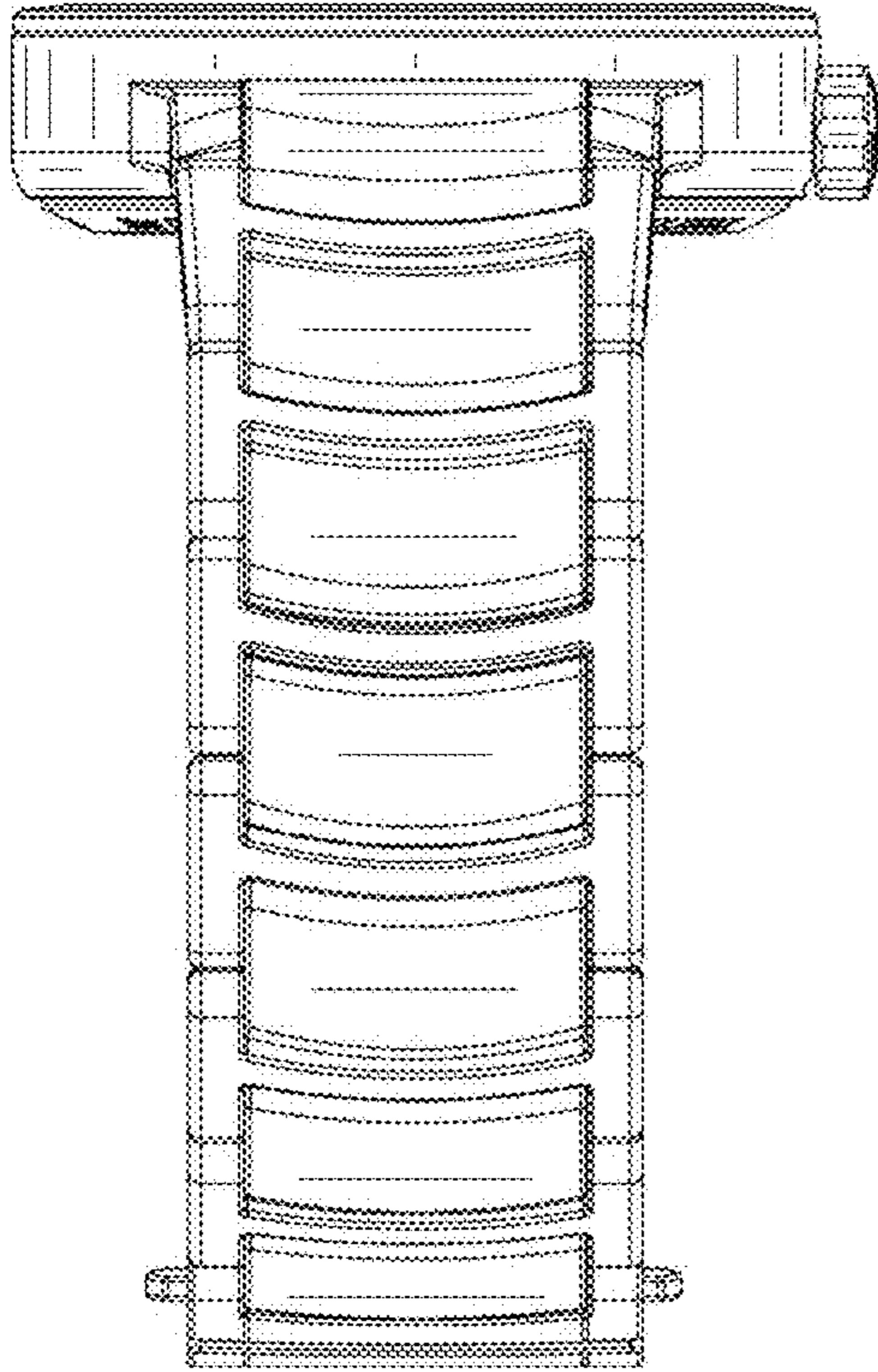


FIG. 7

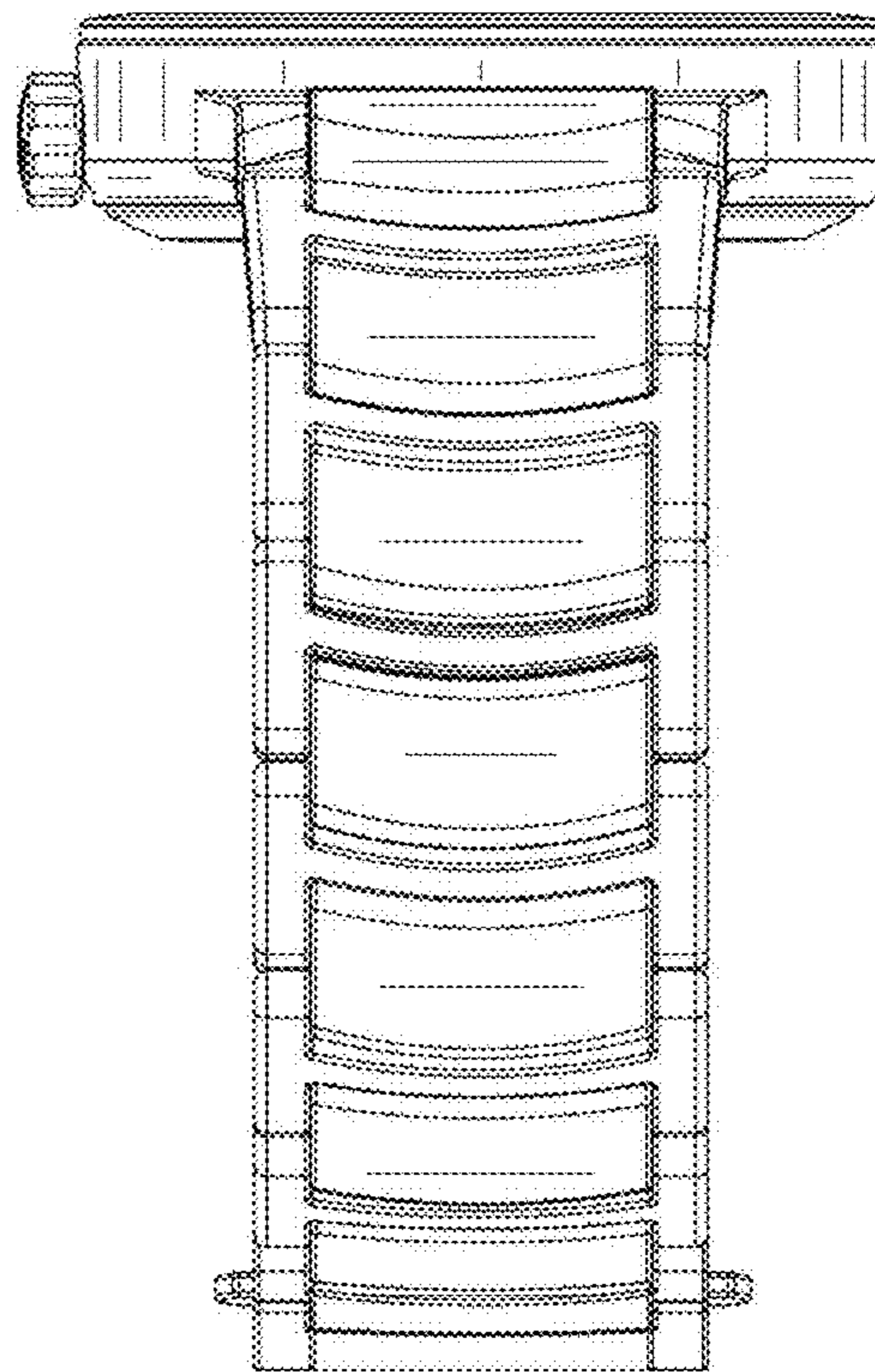


FIG. 8