



US00D781719S

(12) **United States Design Patent** (10) **Patent No.:** **US D781,719 S**
Akana et al. (45) **Date of Patent:** **** Mar. 21, 2017**

(54) **PACKAGING WITH ACCESSORY**

(71) Applicant: **Apple Inc.**, Cupertino, CA (US)

(72) Inventors: **Jody Akana**, San Francisco, CA (US); **Bartley K. Andre**, Palo Alto, CA (US); **Shota Aoyagi**, San Francisco, CA (US); **Jeremy Bataillou**, San Francisco, CA (US); **Daniel J. Coster**, San Francisco, CA (US); **Daniele De Iuliis**, San Francisco, CA (US); **M. Evans Hankey**, San Francisco, CA (US); **Julian Hoenig**, San Francisco, CA (US); **Richard P. Howarth**, San Francisco, CA (US); **Jonathan P. Ive**, San Francisco, CA (US); **Duncan Robert Kerr**, San Francisco, CA (US); **Matthew Dean Rohrbach**, San Francisco, CA (US); **Peter Russell-Clarke**, San Francisco, CA (US); **Mikael Silvano**, San Francisco (CA); **Christopher J. Stringer**, Woodside, CA (US); **Eugene Antony Whang**, San Francisco, CA (US); **Rico Zörkendörfer**, San Francisco, CA (US)

(73) Assignee: **Apple Inc.**, Cupertino, CA (US)

(**) Term: **15 Years**

(21) Appl. No.: **29/552,923**

(22) Filed: **Jan. 27, 2016**

Related U.S. Application Data

(63) Continuation of application No. 29/499,673, filed on Aug. 18, 2014, now Pat. No. Des. 750,501, which is (Continued)

(51) **LOC (10) Cl.** **09-01**

(52) **U.S. Cl.**
USPC **D9/722**

(58) **Field of Classification Search**
USPC D9/415, 416, 418, 419, 423, 432, 433, D9/702, 711, 715, 718, 721, 722, 737,
(Continued)

(56) **References Cited**

U.S. PATENT DOCUMENTS

1,509,781 A 9/1924 Roth
D114,891 S 5/1939 Fogel
(Continued)

Primary Examiner — Derrick Holland
Assistant Examiner — Lauren Calve
(74) *Attorney, Agent, or Firm* — Sterne, Kessler, Goldstein & Fox P.L.L.C.

(57) **CLAIM**

The ornamental design for packaging with accessory, as shown and described.

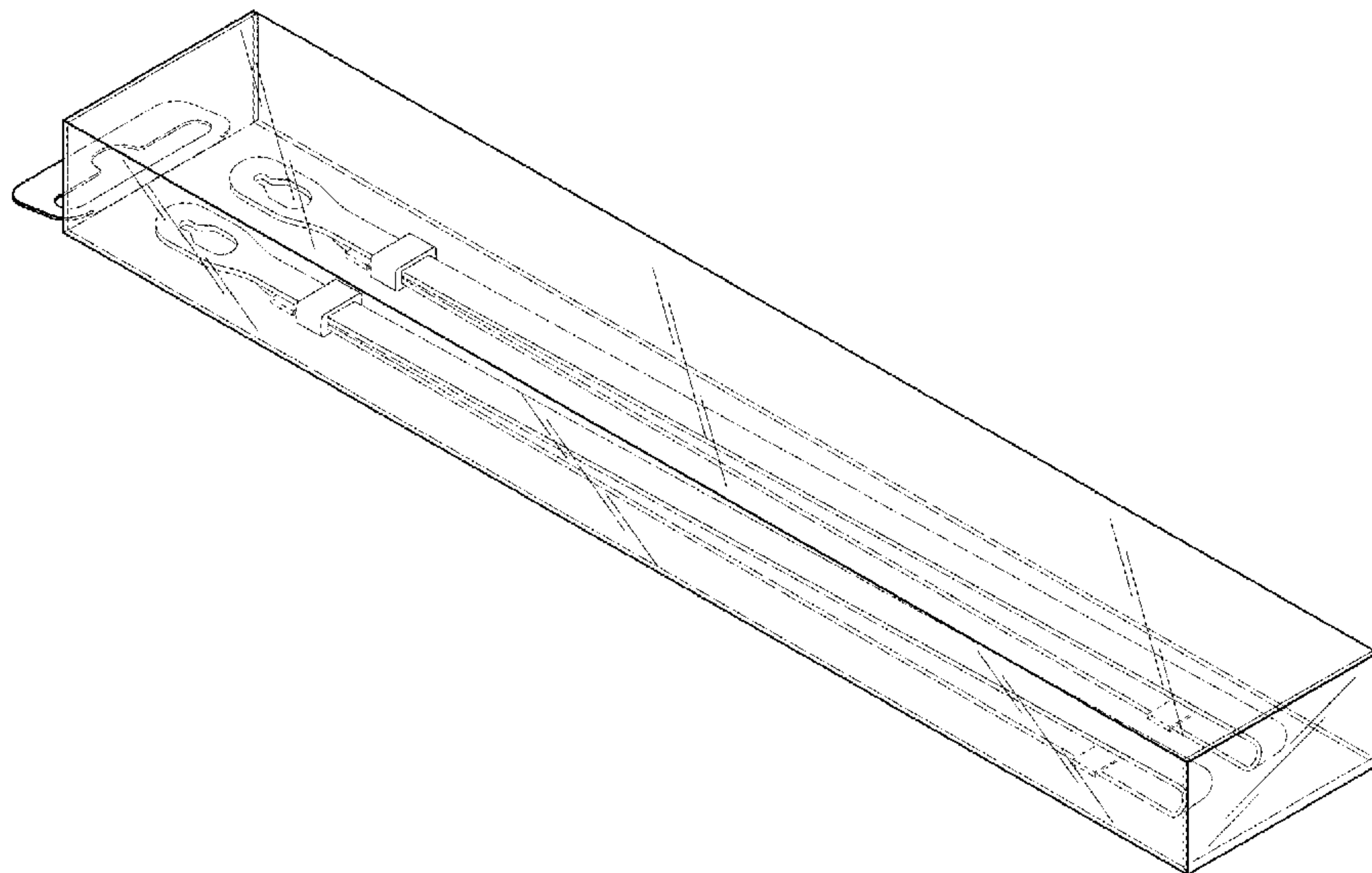
DESCRIPTION

FIG. 1 is a front perspective view of packaging with accessory showing our new design; FIG. 2 is a front view thereof; FIG. 3 is a rear view thereof; FIG. 4 is a left side view thereof; FIG. 5 is a right side view thereof; FIG. 6 is a top view thereof; and, FIG. 7 is a bottom view thereof.

The shade lines in the Figures show transparency, and not surface ornamentation.

The broken lines in the figures show portions of the packaging with accessory that form no part of the claimed design.

1 Claim, 3 Drawing Sheets



Related U.S. Application Data

a continuation of application No. 29/476,534, filed on Dec. 13, 2013, now Pat. No. Des. 714,659, which is a continuation of application No. 29/431,874, filed on Sep. 11, 2012, now Pat. No. Des. 695,632.

(58) **Field of Classification Search**

USPC D9/750, 759, 760; 206/338, 348, 443, 206/464, 484-489, 525, 525.1, 526, 206/775-779, 781; 229/117.12, 117.18, 229/117.23, 120.07, 120.08, 121, 162.6, 229/162.7; D3/218; D13/153
 CPC .. B65D 5/4204; B65D 5/4208; B65D 5/5021; B65D 75/26; B65D 75/38; B65D 73/0042; B65D 77/02; B65D 25/54; B65D 2543/00296; B65D 75/522; B65D 5/5088; B65D 81/3453; B65D 5/48048; Y10S 206/82; Y10S 206/806; Y10S 206/823

See application file for complete search history.

(56) **References Cited**

U.S. PATENT DOCUMENTS

2,316,384	A	4/1943	Abramson	
2,450,089	A	9/1948	Hergesell et al.	
2,964,348	A	12/1960	Ingham	
3,010,569	A	11/1961	Goldman	
3,220,543	A	11/1965	McCord et al.	
D209,953	S	1/1968	Stehl	
D216,251	S	12/1969	Offray	
3,771,275	A	11/1973	Seckerson	
3,890,204	A	6/1975	Avery	
4,614,322	A	9/1986	Goetz	
D289,698	S	5/1987	Bates	
5,027,477	A	7/1991	Seron	
5,027,947	A *	7/1991	Reighart	B65D 11/12 206/335
5,046,222	A	9/1991	Byers et al.	
D338,037	S	8/1993	Miller et al.	
5,379,928	A *	1/1995	Mikkelsen	A45C 13/30 224/191
D368,028	S	3/1996	Baker	

D368,588	S	4/1996	Goraleski et al.	
5,823,364	A	10/1998	Mucciacciaro	
6,070,723	A	6/2000	Lewis	
D429,637	S	8/2000	Kumakura et al.	
6,171,039	B1	1/2001	Seurujarvi	
6,321,965	B1	11/2001	Lavi et al.	
D503,334	S *	3/2005	Keating	D9/415
7,013,675	B2	3/2006	Marquez-Pickering	
7,124,470	B2	10/2006	Alanis	
7,188,814	B2	3/2007	Davis	
D541,190	S	4/2007	Plzak	
7,258,233	B2 *	8/2007	Lee	B65D 43/161 206/470
D550,556	S	9/2007	Berner	
D554,495	S	11/2007	Hanji	
D557,008	S	12/2007	Stiller	
D562,807	S	2/2008	Andre et al.	
D584,142	S	1/2009	Andre et al.	
D609,560	S	2/2010	Mchatet	
D638,330	S	5/2011	Fahrendorff et al.	
D644,097	S	8/2011	McDonald et al.	
D669,774	S *	10/2012	Yamaguchi	D9/418
8,295,533	B1	10/2012	Schachtman	
8,328,011	B2	12/2012	Skurdalsvold et al.	
D680,895	S	4/2013	Akana et al.	
D681,504	S *	5/2013	Kalbach	D11/201
D684,542	S	6/2013	Ledesma	
D685,260	S	7/2013	Thielemier	
D686,912	S *	7/2013	Ehde	D9/415
D692,750	S *	11/2013	Ehde	D9/415
D694,478	S	11/2013	Ali	
D695,632	S	12/2013	Akana et al.	
D699,406	S	2/2014	Stolte	
D700,048	S	2/2014	Bloch et al.	
D709,362	S *	7/2014	Kim	D9/415
D712,279	S	9/2014	Akana et al.	
D714,659	S	10/2014	Akana	
D723,264	S	3/2015	Akana	
9,066,616	B2	6/2015	Yap	
D750,501	S *	3/2016	Akana	D9/722
D765,501	S *	9/2016	Peers	D9/415
2003/0160074	A1	8/2003	Pineda	
2006/0113345	A1	6/2006	Zoullas et al.	
2007/0084020	A1	4/2007	Chiu et al.	
2012/0273541	A1	11/2012	Zwach	
2014/0076945	A1	3/2014	Weber	

* cited by examiner

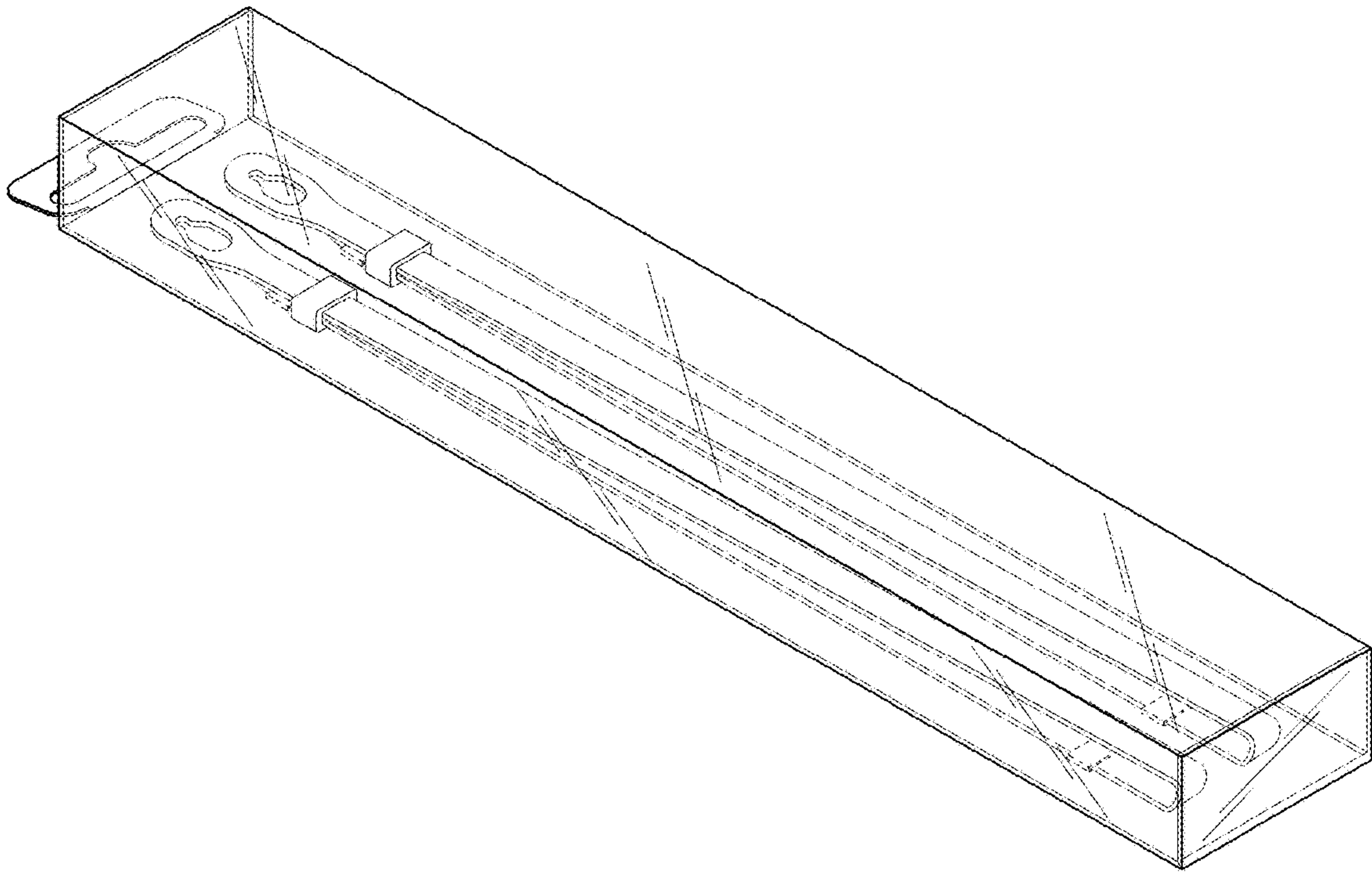


FIG. 1

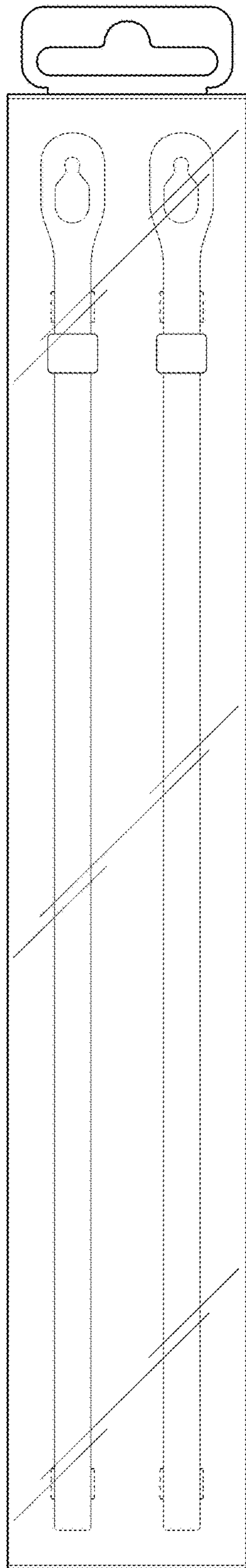


FIG. 2

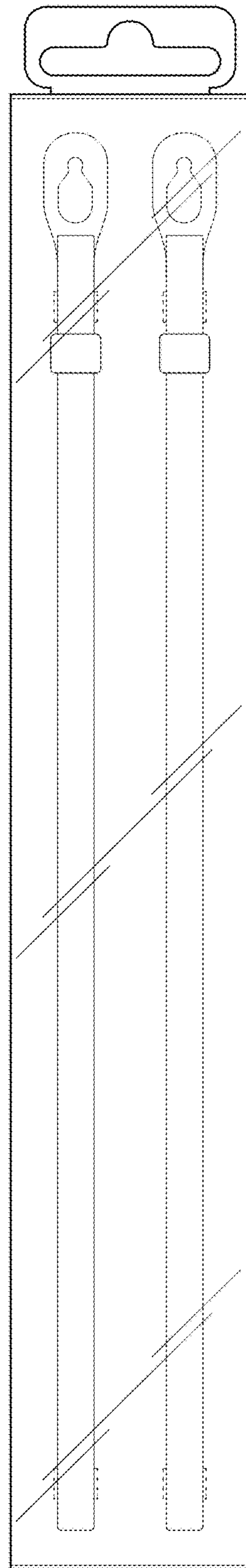


FIG. 3

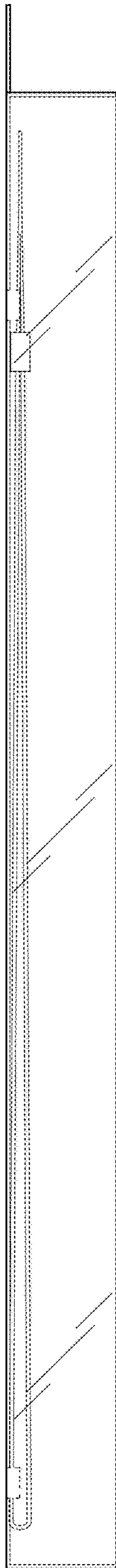


FIG. 4

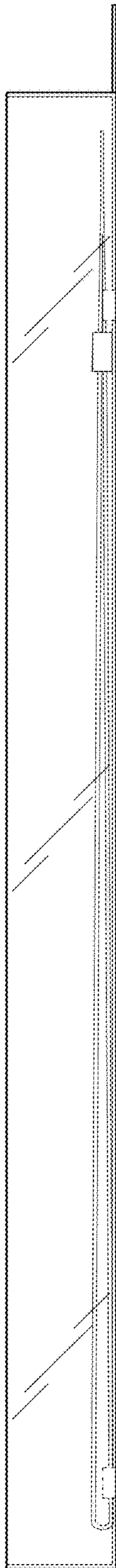


FIG. 5

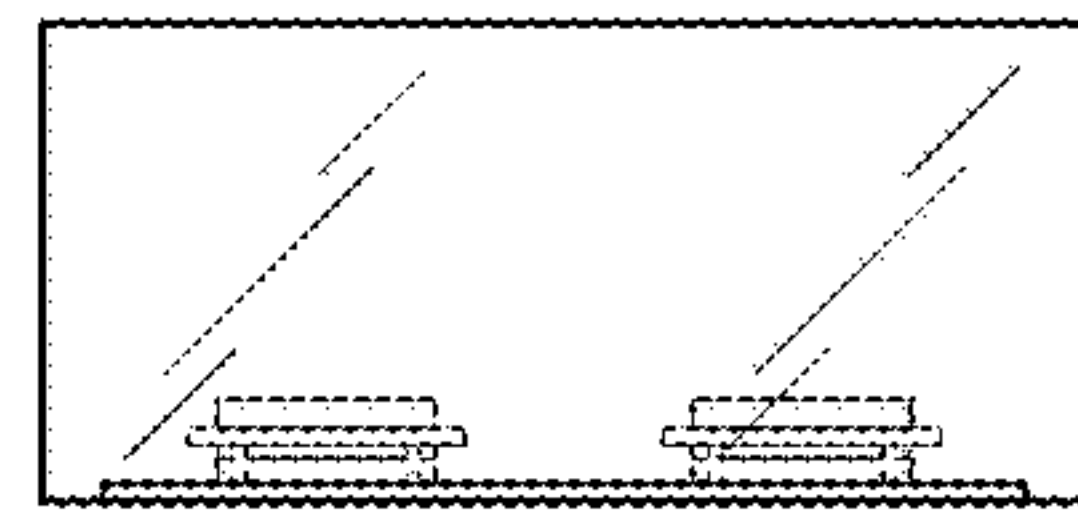


FIG. 6

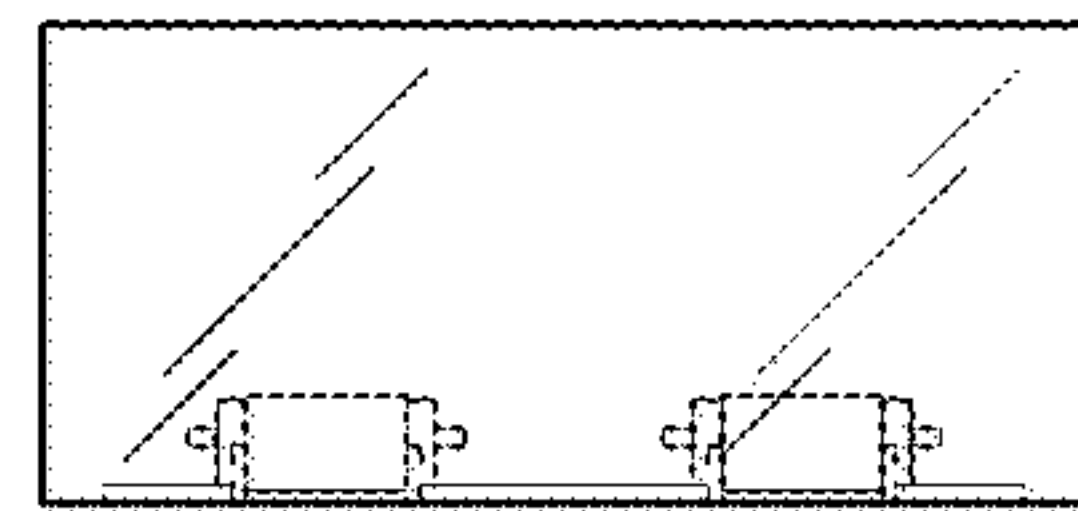


FIG. 7