



US00D781715S

(12) **United States Design Patent**  
**Lee et al.**

(10) **Patent No.:** **US D781,715 S**  
(45) **Date of Patent:** **\*\* Mar. 21, 2017**

(54) **COSMETIC CONTAINER**

2200/054; A45D 2200/056; A45D  
2200/057; A45D 2200/10; A45D

(71) Applicant: **AMOREPACIFIC CORPORATION**,  
Seoul (KR)

(Continued)

(72) Inventors: **Hye-jin Lee**, Seoul (KR); **Ji Min Lee**,  
Seoul (KR)

(56) **References Cited**

(73) Assignee: **AMOREPACIFIC CORPORATION**,  
Yongsan-gu, Seoul (KR)

U.S. PATENT DOCUMENTS

(\*\*) Term: **14 Years**

D263,807 S \* 4/1982 Kingsford ..... D9/504  
D266,647 S \* 10/1982 Plewes ..... D9/500

(Continued)

(21) Appl. No.: **29/503,849**

FOREIGN PATENT DOCUMENTS

(22) Filed: **Sep. 30, 2014**

KR 300522233.0000 \* 3/2009  
KR 300628070.0000 \* 1/2012

(Continued)

(30) **Foreign Application Priority Data**

*Primary Examiner* — Catherine Tuttle

May 9, 2014 (KR) ..... 30-2014-0023014

(74) *Attorney, Agent, or Firm* — East West Law Group;  
Heedong Chae

(51) **LOC (10) Cl.** ..... **09-01**

(52) **U.S. Cl.**  
USPC ..... **D9/691**; D9/558; D9/682

(57) **CLAIM**

(58) **Field of Classification Search**  
USPC ..... D9/500–505, 682–694, 723–729, 529,  
D9/516, 517, 520, 521, 537–546,  
D9/549–575, 418, 434–436; D28/76, 77,  
D28/82, 91, 91.1

The ornamental design for a cosmetic container, as shown  
and described.

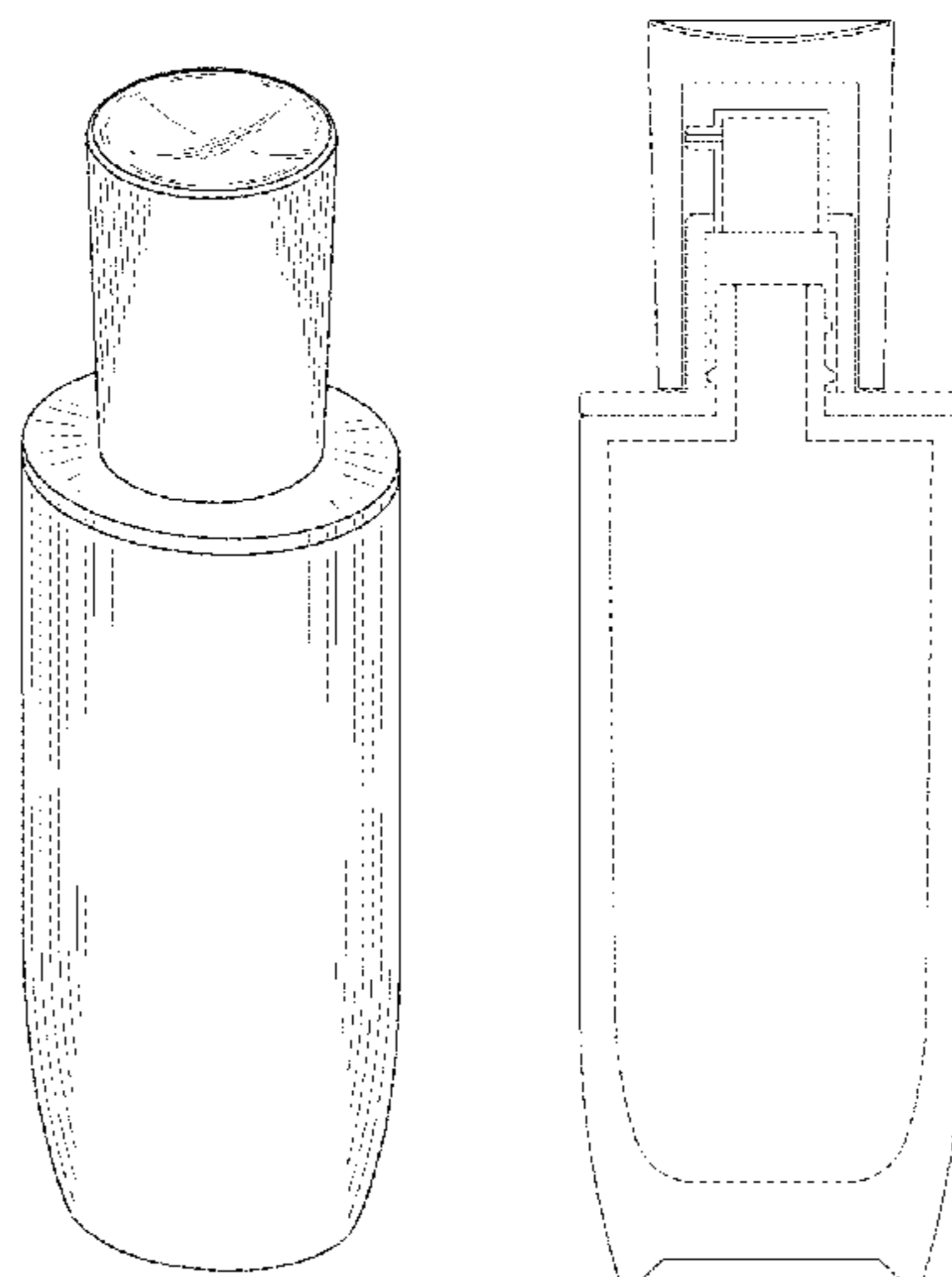
**DESCRIPTION**

CPC ..... B65D 1/02; B65D 1/0207; B65D 1/0223;  
B65D 1/40; B65D 11/02; B65D 11/04;  
B65D 11/10; B65D 11/16; B65D 11/20;  
B65D 11/24; B65D 13/02; B65D 23/00;  
B65D 83/14; B65D 83/20; B65D 83/22;  
B65D 83/38; B65D 83/384; B65D 83/40;  
B65D 2501/0009; B65D 2501/0018;  
B65D 2501/0081; A45D 34/00; A45D  
34/02; A45D 2034/002; A45D 2034/005;  
A45D 2034/007; A45D 34/042; A45D  
34/043; A45D 34/045; A45D 34/046;  
A45D 34/047; A45D 34/048; A45D  
34/06; A45D 2200/05; A45D 2200/051;  
A45D 2200/052; A45D 2200/053; A45D

FIG. 1 is a perspective view of a cosmetic container showing  
my new design;  
FIG. 2 is a front elevational view thereof;  
FIG. 3 is a rear elevational view thereof;  
FIG. 4 is a left side elevational view thereof;  
FIG. 5 is a right side elevational view thereof;  
FIG. 6 is a top plan view thereof;  
FIG. 7 is a bottom plan view thereof; and,  
FIG. 8 is a view showing the profile of the design along line  
**8-8** of FIG. 6.

The interior structure shown in broken lines are for illus-  
trative purposes only; and form no part of the claimed  
design.

**1 Claim, 8 Drawing Sheets**



(58) **Field of Classification Search**

CPC ..... 2200/1009; A45D 2200/1018; A45D  
 2200/1036; A45D 2200/1045; A45D  
 34/04; A45D 34/041

See application file for complete search history.

(56) **References Cited**

U.S. PATENT DOCUMENTS

D268,897 S \* 5/1983 du Cret ..... D9/504  
 D345,918 S \* 4/1994 Chevassus ..... D28/76  
 D362,187 S \* 9/1995 Thompson ..... D9/500  
 D365,020 S \* 12/1995 Dinand ..... D9/503  
 D416,491 S \* 11/1999 Gobe ..... D28/76  
 D485,183 S \* 1/2004 Lerolle ..... D9/503  
 D498,423 S \* 11/2004 Kostow ..... D9/558  
 D517,243 S \* 3/2006 Martinez ..... D28/76  
 D522,367 S \* 6/2006 Bakic ..... D9/504  
 D554,518 S \* 11/2007 Cornet ..... D9/558  
 D570,707 S \* 6/2008 Blasko ..... D9/689

D589,361 S \* 3/2009 Murata ..... D9/689  
 D631,356 S \* 1/2011 Barsoumian ..... D9/500  
 D639,180 S \* 6/2011 Shiota ..... D9/689  
 D643,743 S \* 8/2011 Yu ..... D9/689  
 D646,583 S \* 10/2011 Mongeon ..... D9/689  
 D658,076 S \* 4/2012 McCoy ..... D9/723  
 D658,507 S \* 5/2012 McCoy ..... D9/723  
 D683,238 S \* 5/2013 You ..... D9/688  
 D696,121 S \* 12/2013 Jung ..... D9/503  
 D711,748 S \* 8/2014 Hwang ..... D9/691  
 D721,283 S \* 1/2015 Lawrance ..... D9/689  
 2015/0020836 A1\* 1/2015 Ramet ..... A45D 34/045  
 132/200

FOREIGN PATENT DOCUMENTS

KR 300726356.0000 \* 1/2014  
 KR 300733639.0000 \* 3/2014  
 KR 300733641.0000 \* 3/2014  
 WO D048054-014 \* 8/1999

\* cited by examiner

FIG. 1

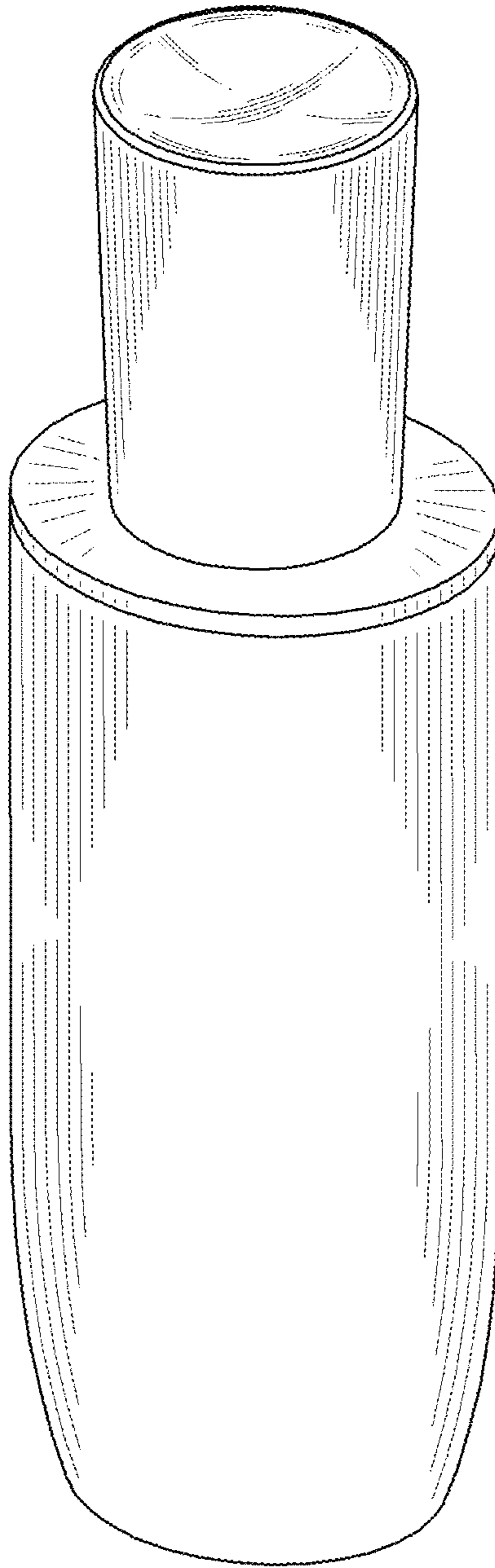


FIG. 2

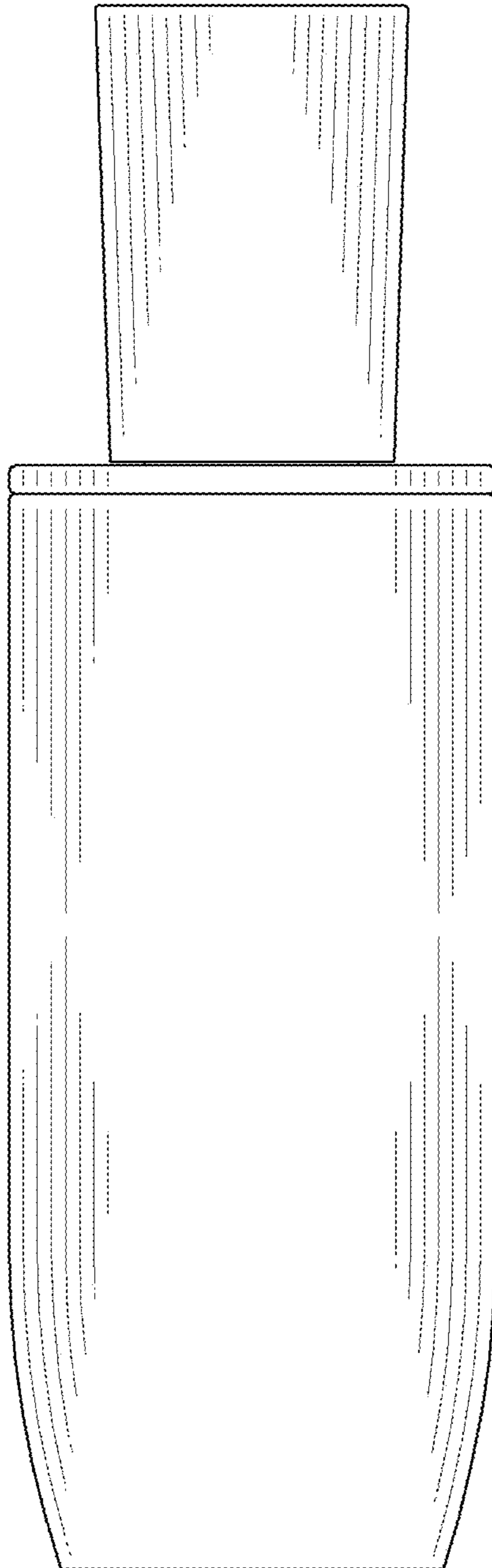


FIG. 3

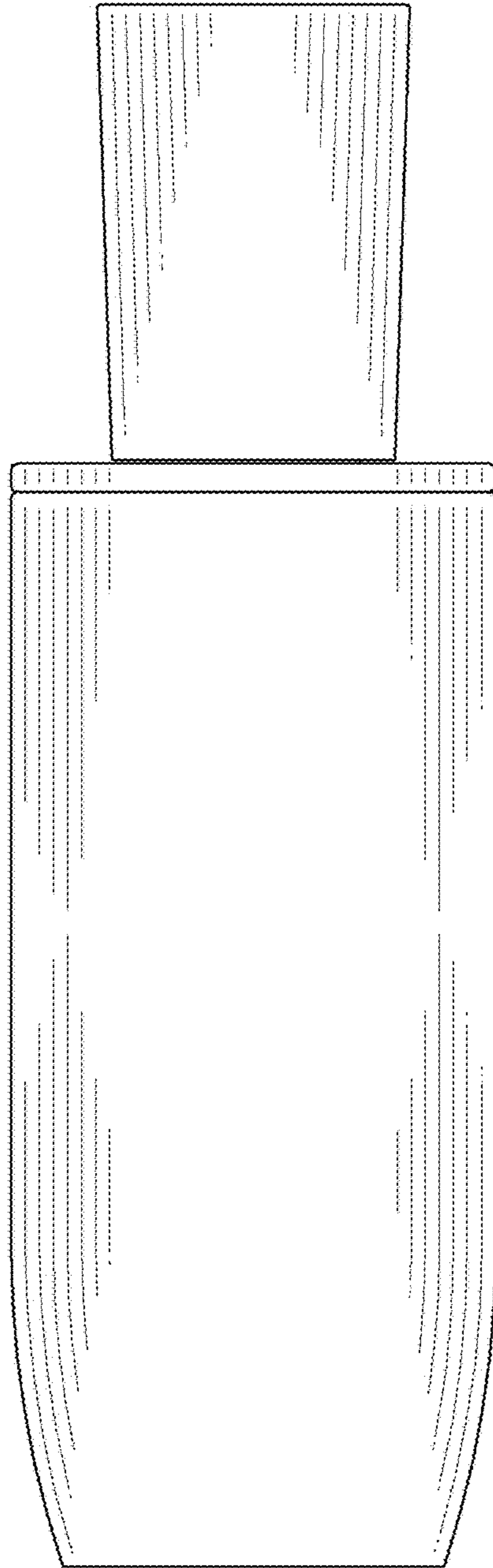


FIG. 4

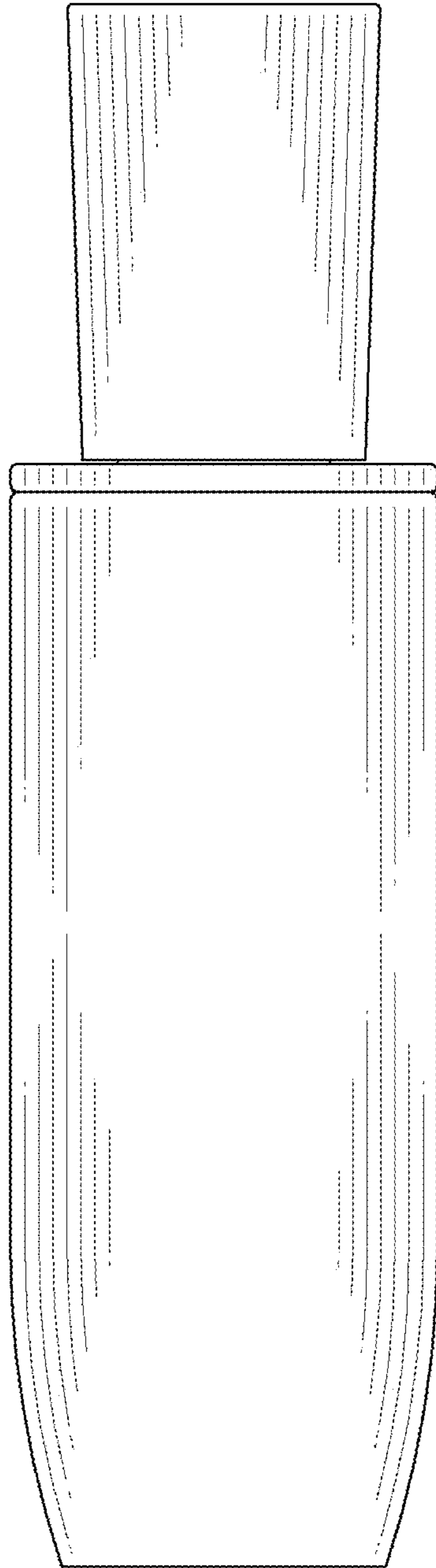


FIG. 5

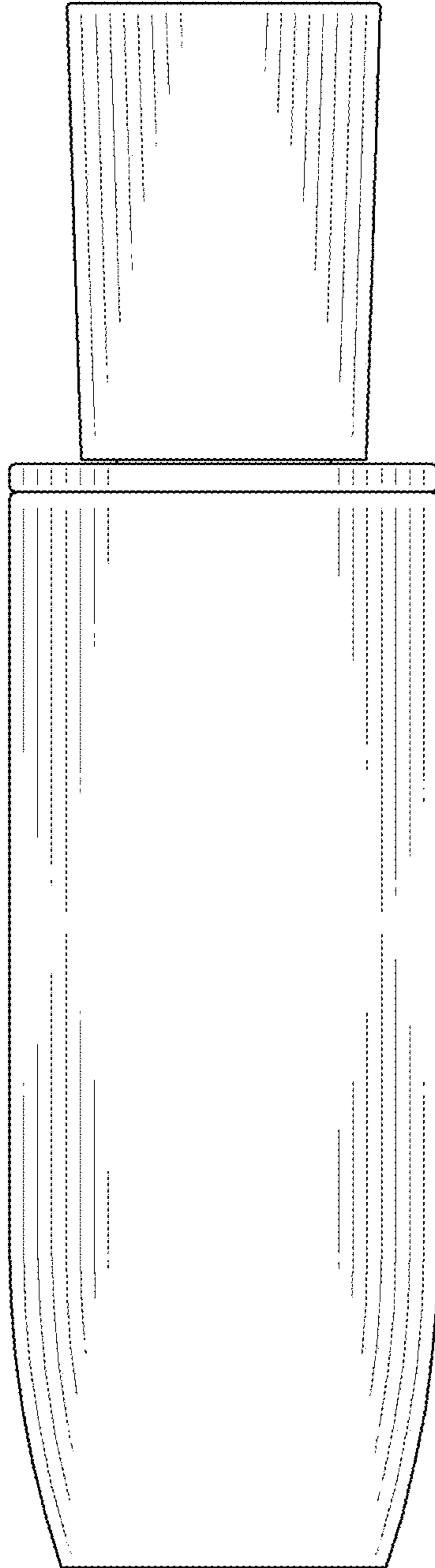


FIG. 6

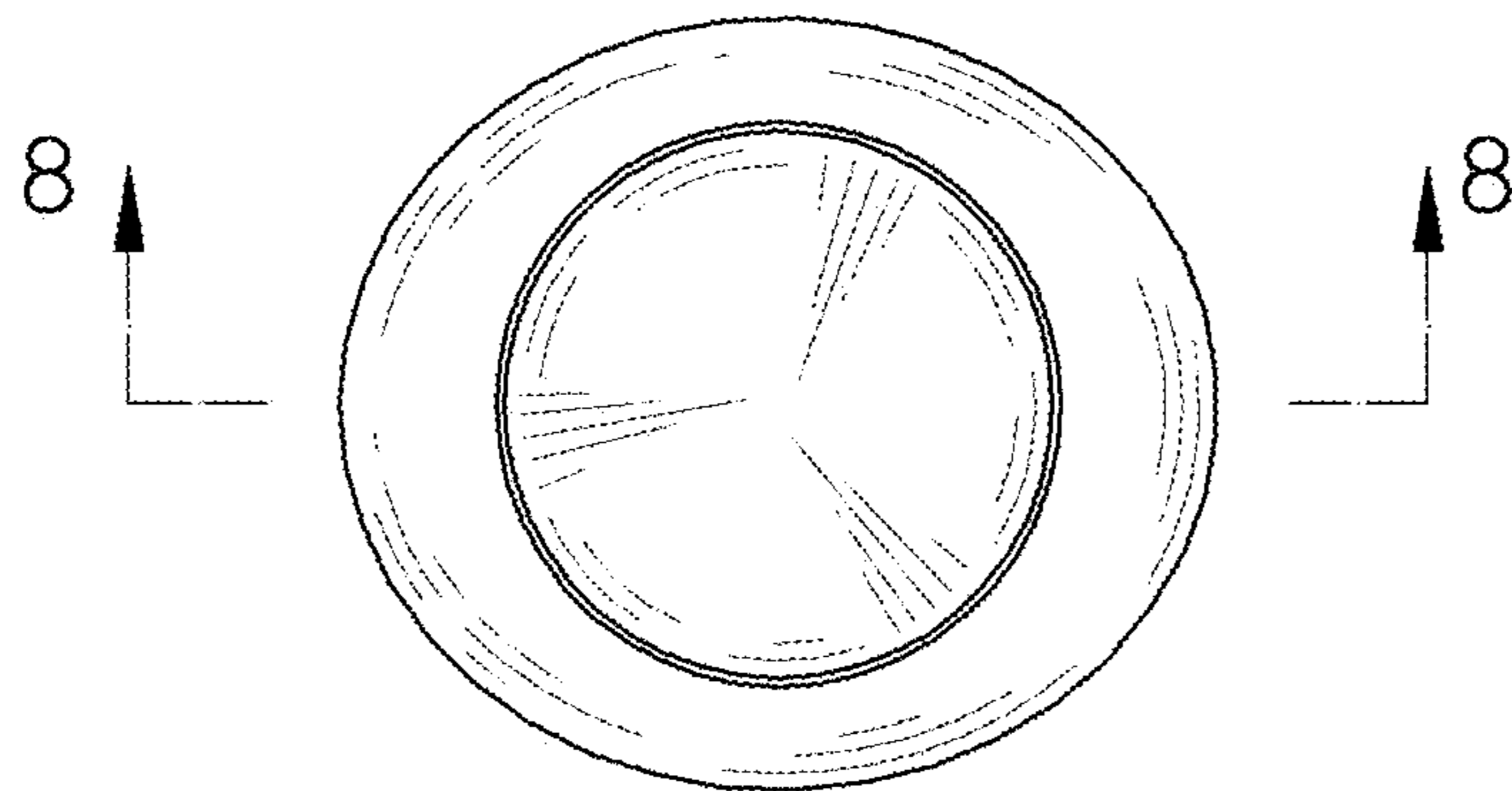




FIG. 7

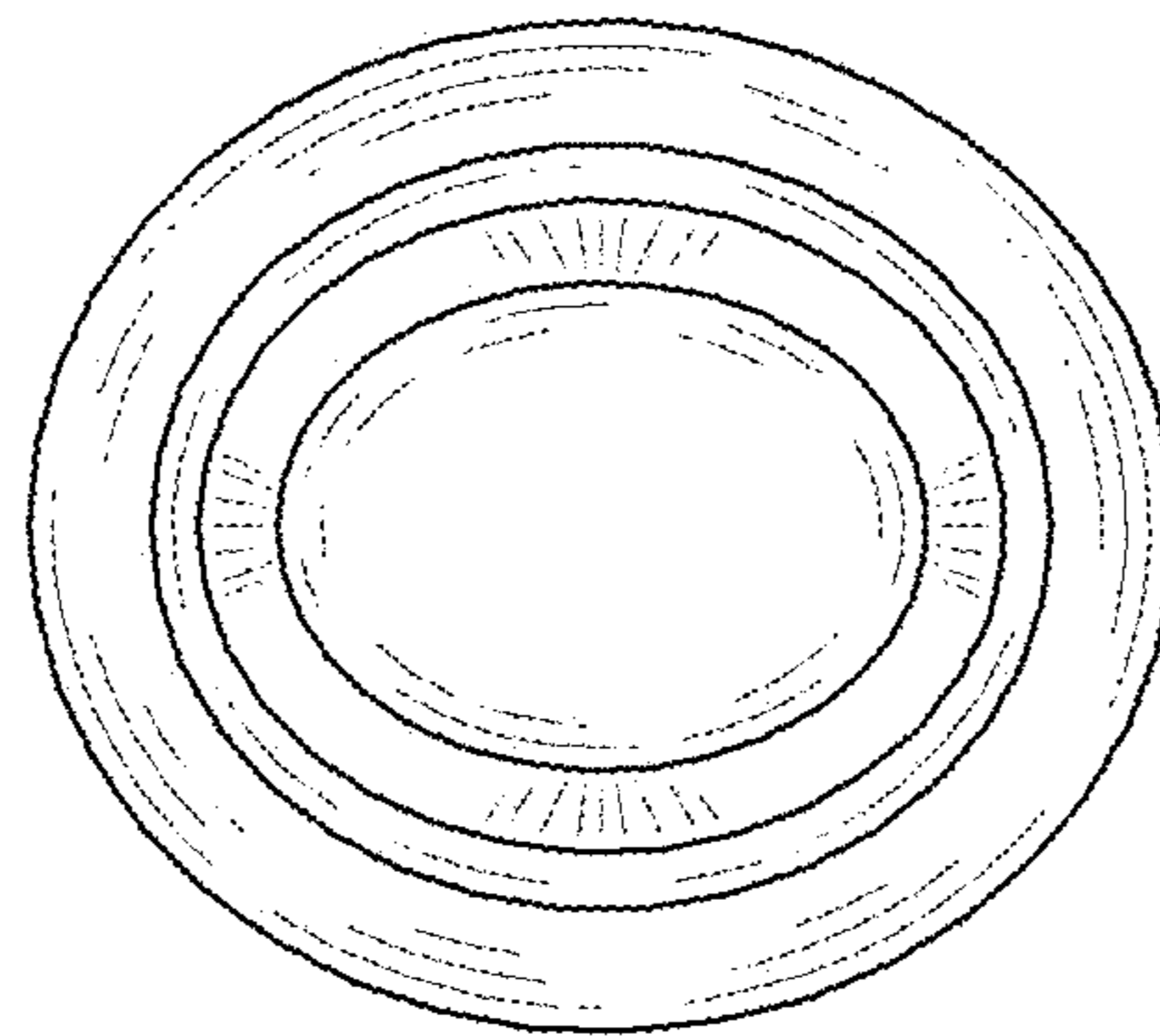


FIG. 8

