



US00D781714S

(12) **United States Design Patent** (10) **Patent No.:** **US D781,714 S**
Yorkston (45) **Date of Patent:** **** Mar. 21, 2017**

(54) **TIKI-SHAPED CONTAINER**
(71) Applicant: **Malcolm Yorkston**, Honolulu, HI (US)
(72) Inventor: **Malcolm Yorkston**, Honolulu, HI (US)
(73) Assignee: **Hawaiian Rainbow Bees LLC**,
Honolulu, HI (US)

Primary Examiner — Sandra Morris
(74) *Attorney, Agent, or Firm* — Dunlap Bennett &
Ludwig PLLC

(**) Term: **14 Years**
(21) Appl. No.: **29/496,350**
(22) Filed: **Jul. 11, 2014**
(51) **LOC (10) Cl.** **09-01**
(52) **U.S. Cl.**
USPC **D9/620**; D9/616
(58) **Field of Classification Search**
USPC D3/270, 271.1–271.4; D7/510, 514–520,
D7/599, 604, 613, 619.2, 623, 628;
D9/600, 614, 616, 620, 502–505, 516,
D9/537–546, 549–553, 556–557,
D9/574–575; 206/457, 459.5, 527;
215/381–384, 400; 220/288
CPC B65D 5/4258; B65D 81/60; B65D 81/365;
B65D 81/366; B65D 81/368; B65D
2203/00; B65D 2203/02
See application file for complete search history.

(57) **CLAIM**
The ornamental design for a tiki-shaped container, as shown
and described.

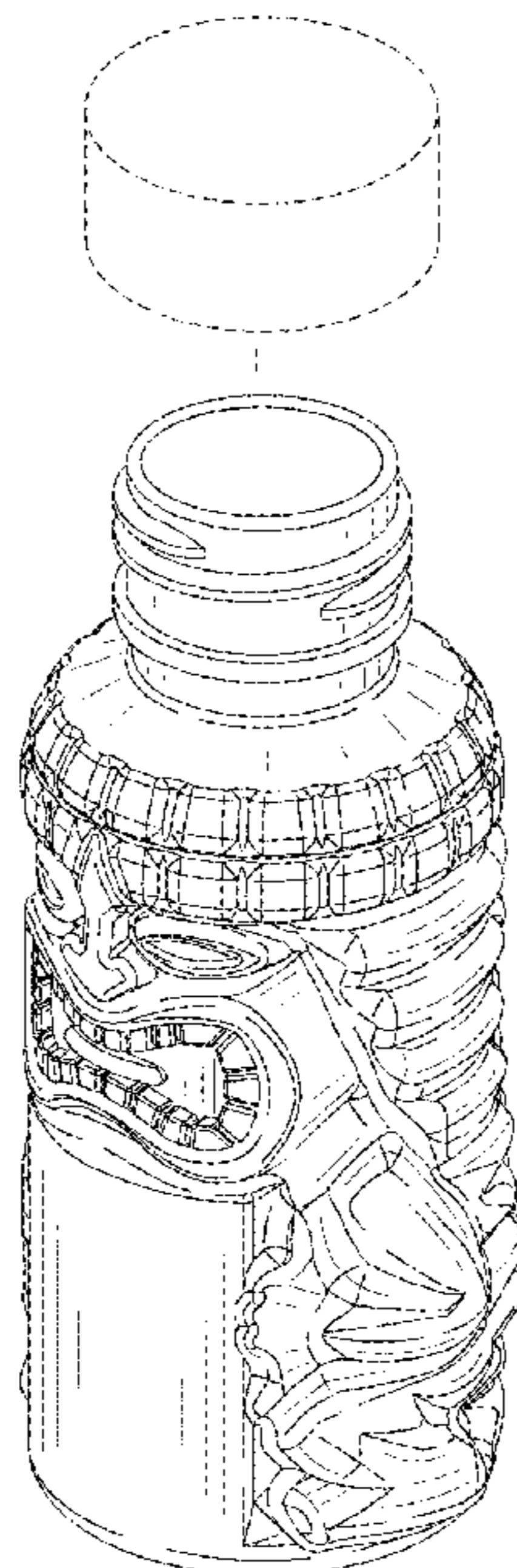
DESCRIPTION

FIG. 1 is a perspective front view of a first embodiment of a tiki-shaped container, shown with a container cap;
FIG. 2 is a front elevation view of the first embodiment of the tiki-shaped container;
FIG. 3 is a rear elevation view of the first embodiment of the tiki-shaped container;
FIG. 4 is a left side elevation view of the first embodiment of the tiki-shaped container;
FIG. 5 is a right side elevation view of the first embodiment of the tiki-shaped container;
FIG. 6 is a top plan view of the first embodiment of the tiki-shaped container;
FIG. 7 is a perspective front view of a second embodiment of the tiki-shaped container, shown with the container cap;
FIG. 8 is a front elevation view of the second embodiment of the tiki-shaped container;
FIG. 9 is a rear elevation view of the second embodiment of the tiki-shaped container;
FIG. 10 is a left side elevation view of the fir second embodiment of the tiki-shaped container;
FIG. 11 is a right side elevation view of the second embodiment of the tiki-shaped container; and,
FIG. 12 is a top plan view of the second embodiment of the tiki-shaped container.
The container cap is shown in broken lines for illustrative purposes only and forms no part of the claimed design.

(56) **References Cited**
U.S. PATENT DOCUMENTS
D267,232 S * 12/1982 Balich D9/616
D468,969 S * 1/2003 Lipson D7/510
D517,419 S * 3/2006 Kelleghan D7/517
D519,035 S * 4/2006 Kelleghan D7/517
D664,396 S * 7/2012 Strobel D7/516

* cited by examiner

1 Claim, 8 Drawing Sheets



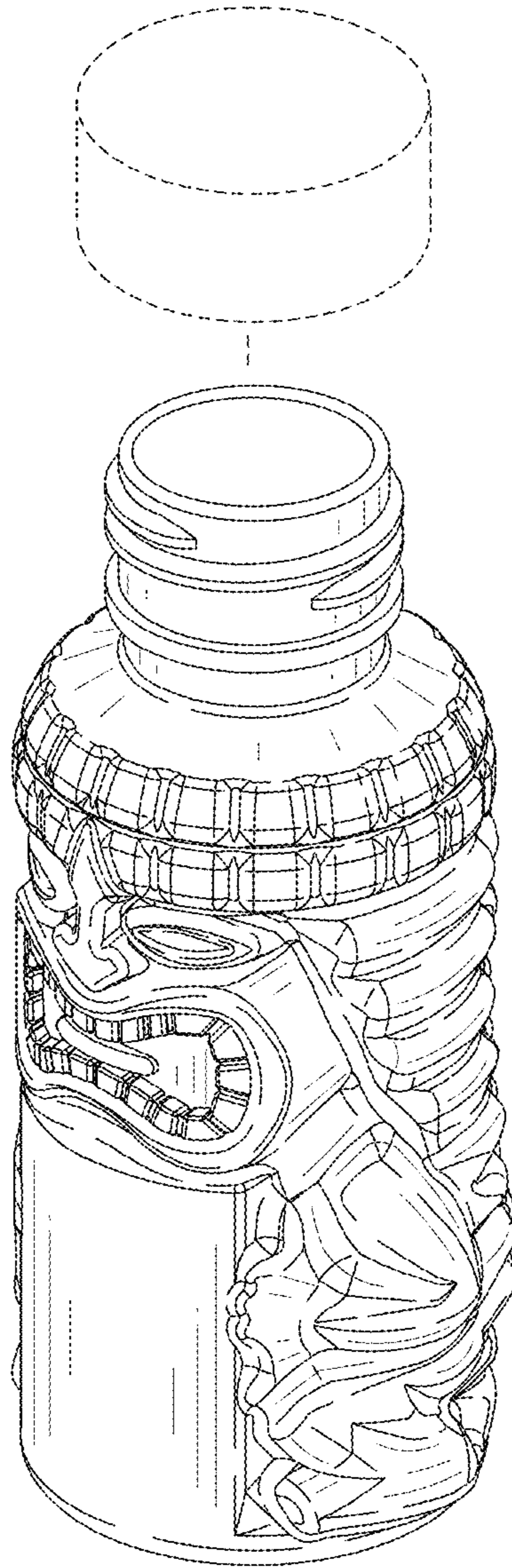


FIG. 1

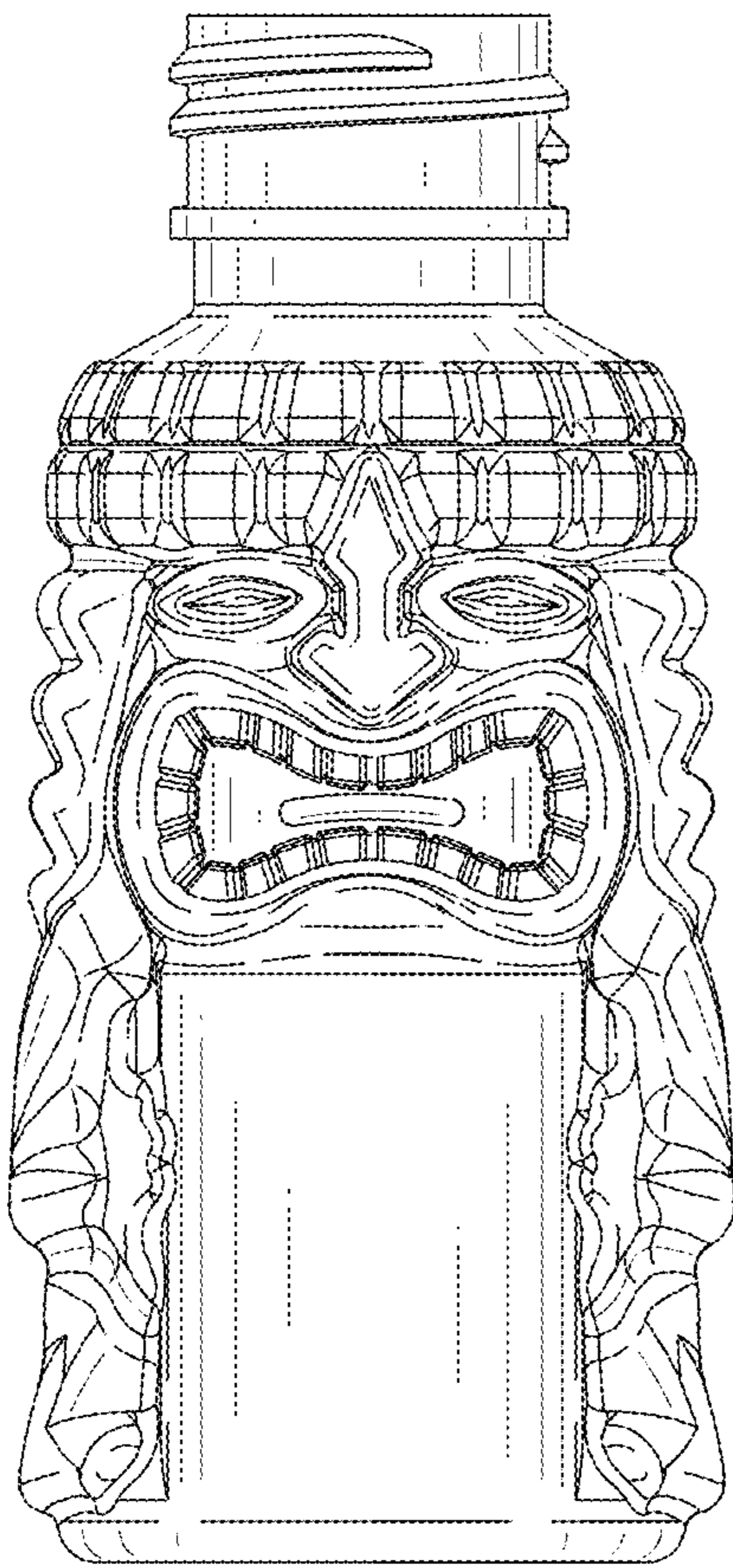


FIG. 2

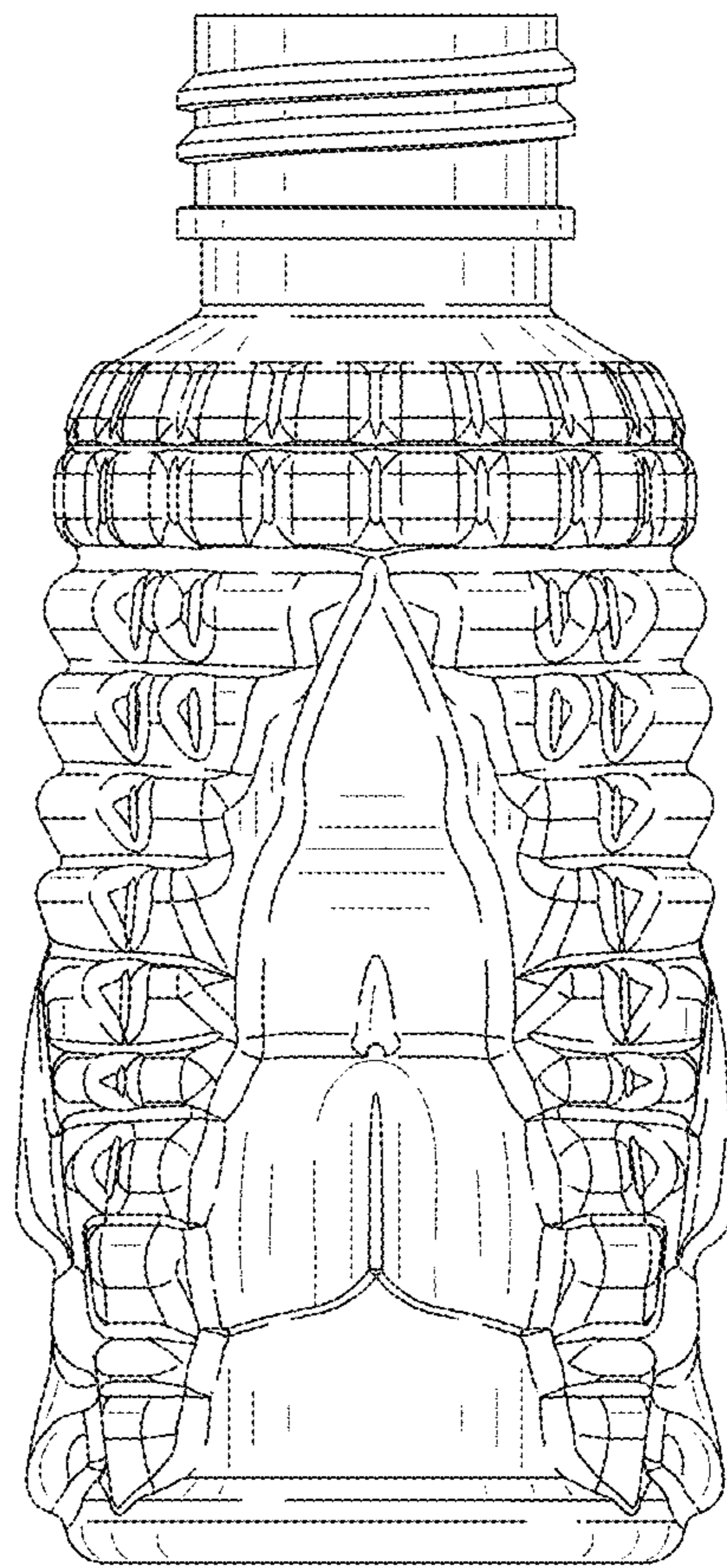


FIG. 3

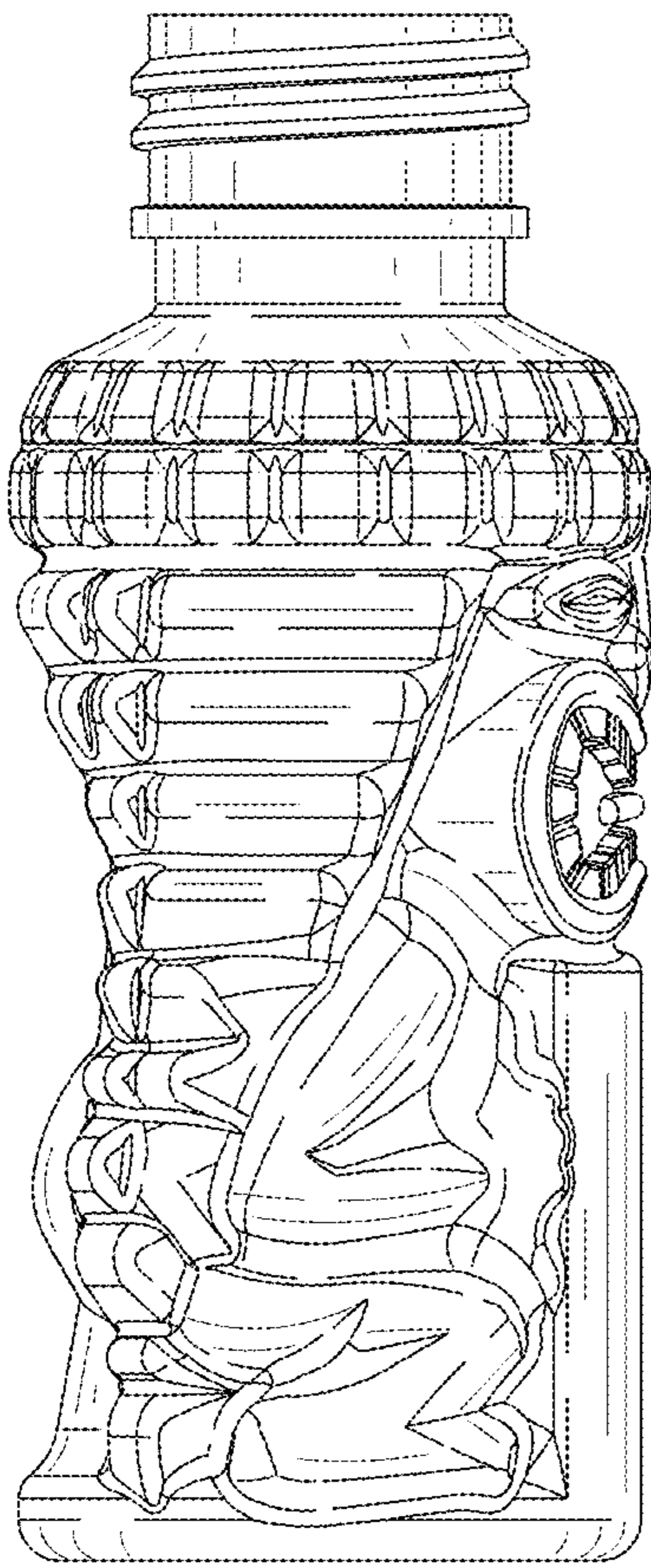


FIG. 4

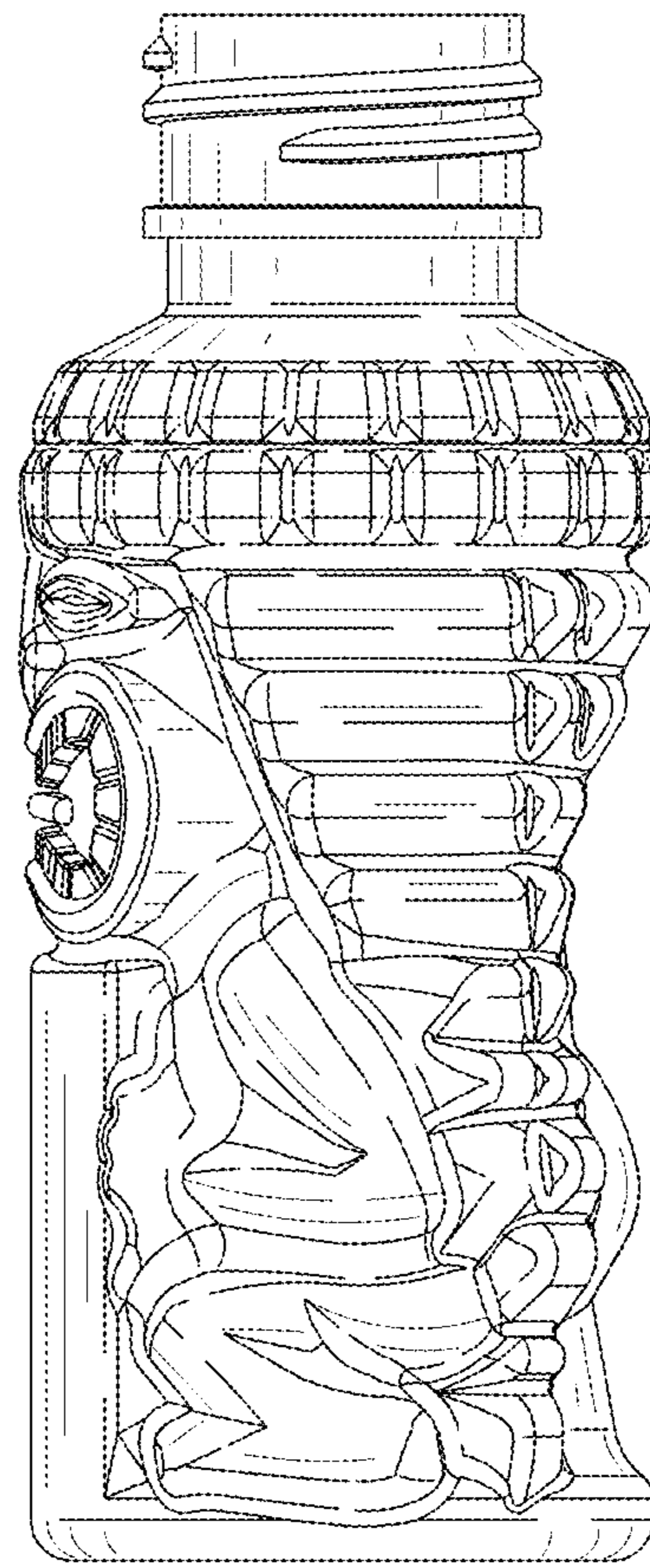


FIG. 5

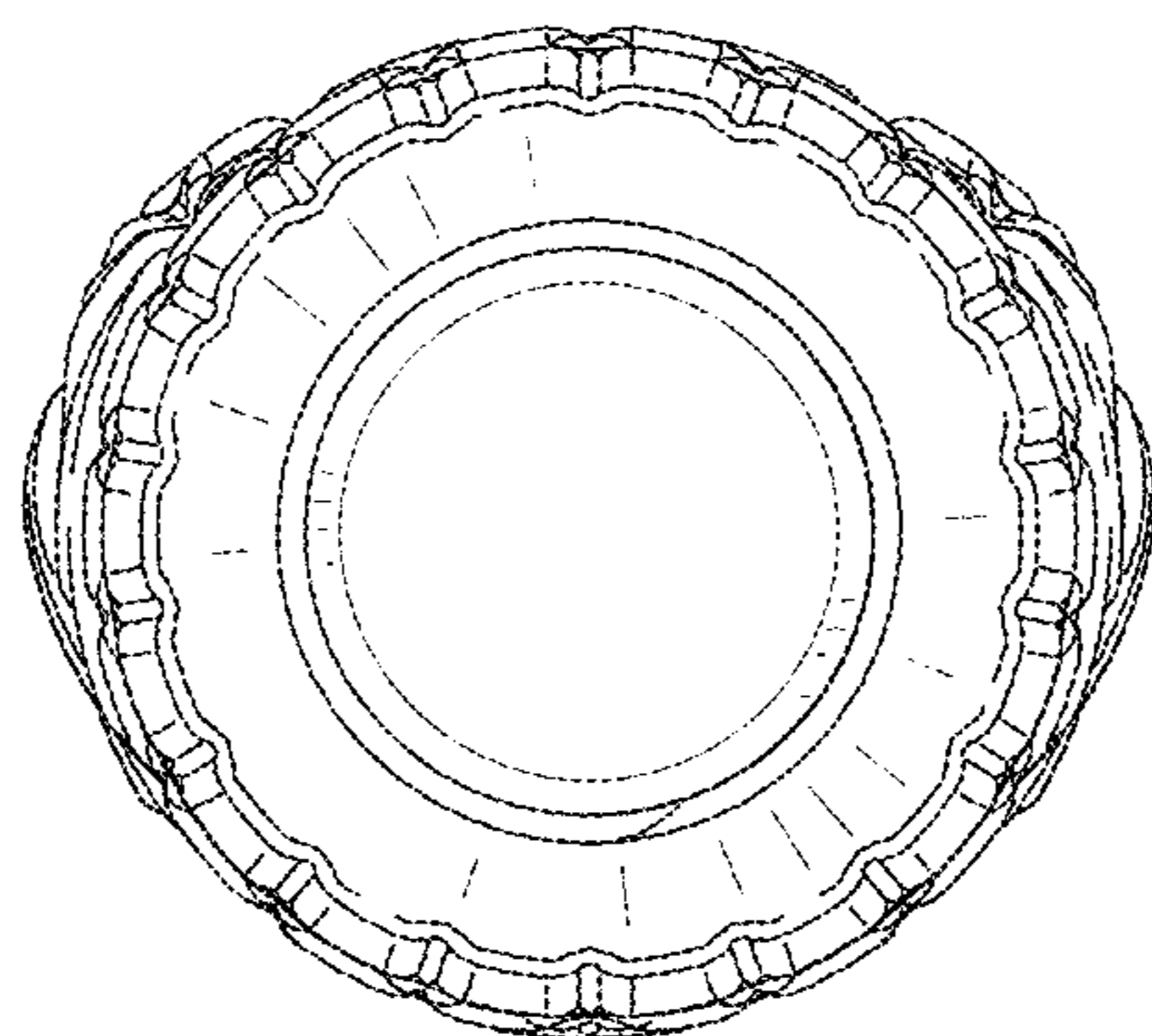


FIG. 6

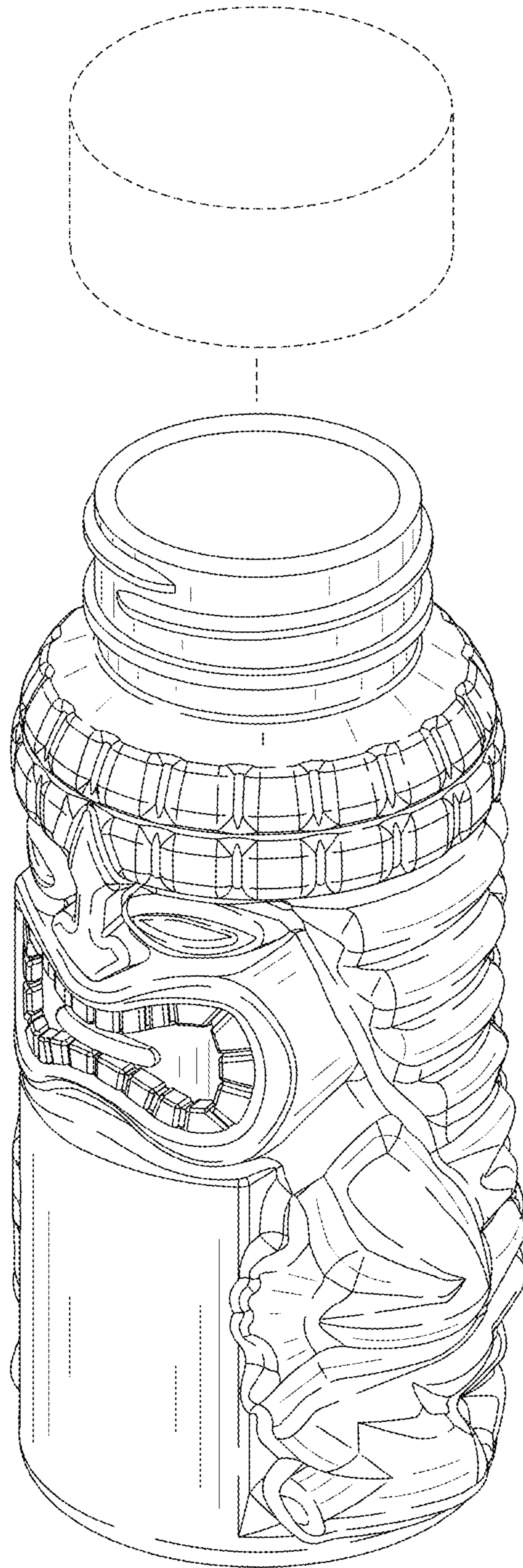


FIG. 7

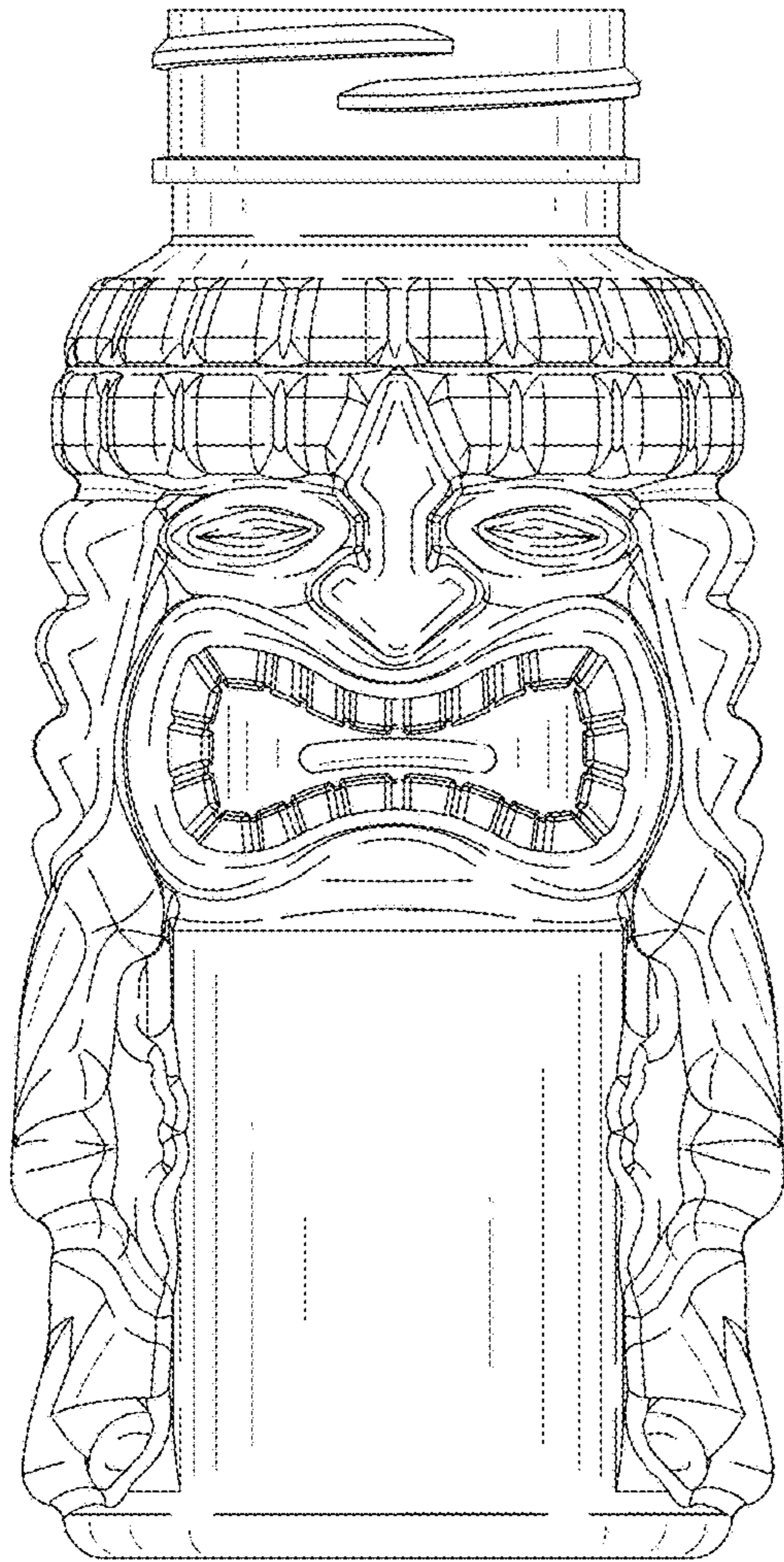


FIG. 8

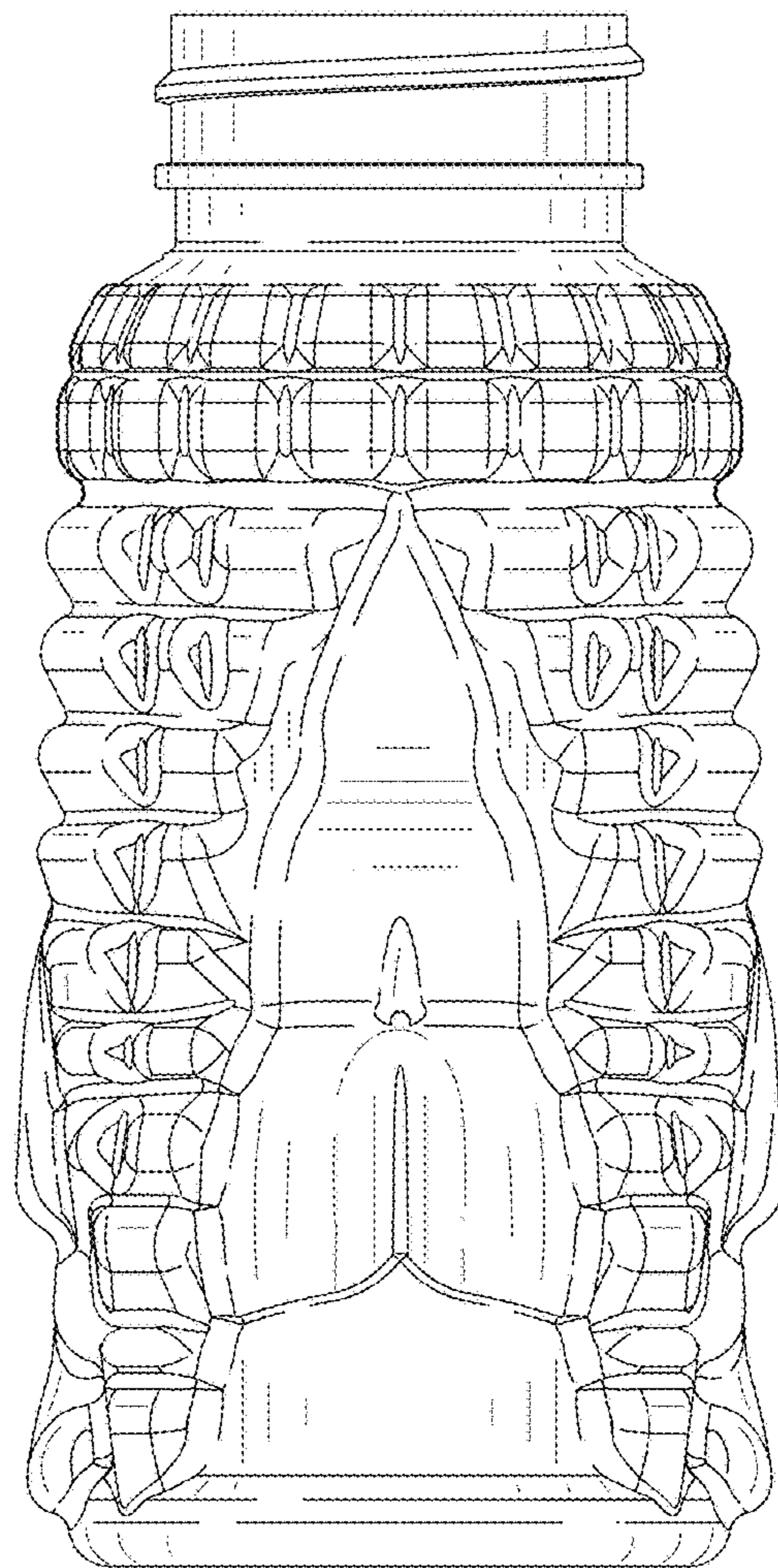


FIG. 9

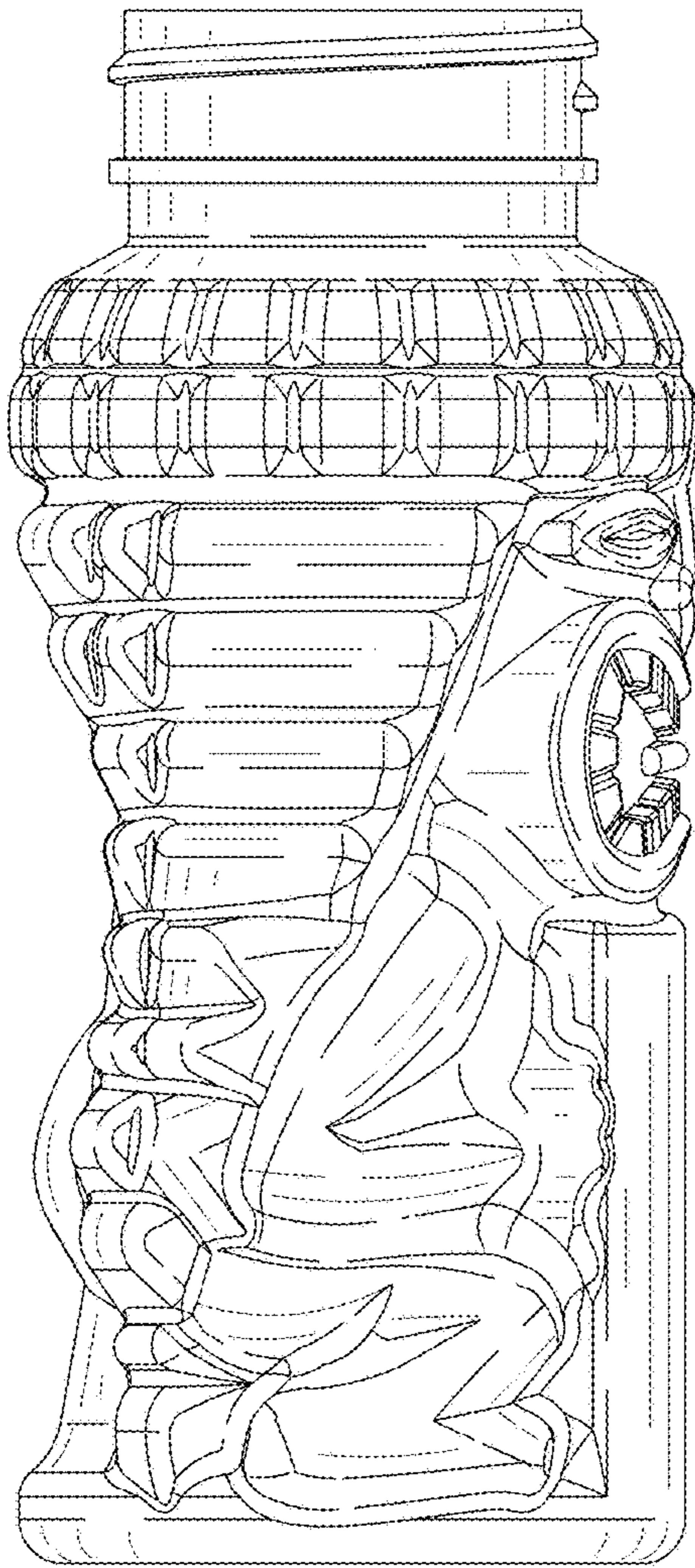


FIG. 10

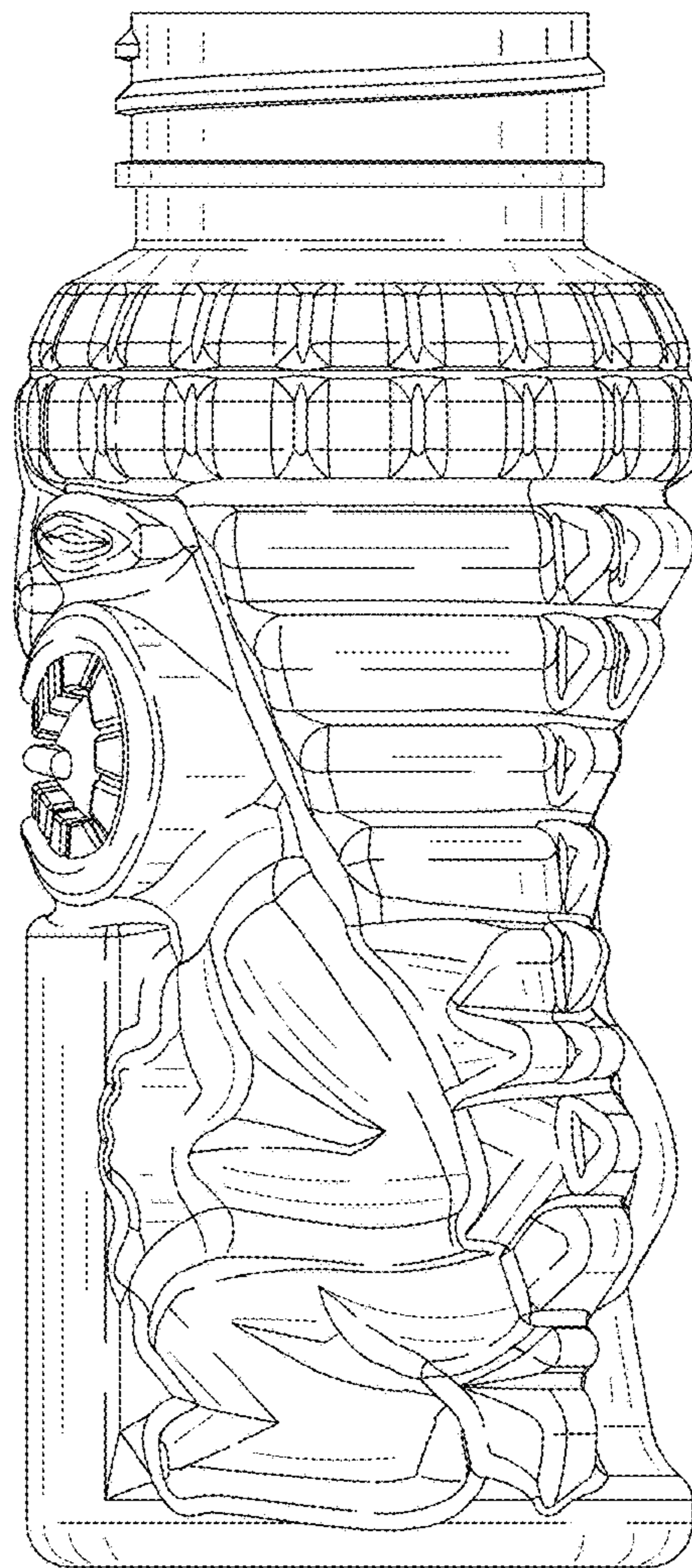


FIG. 11

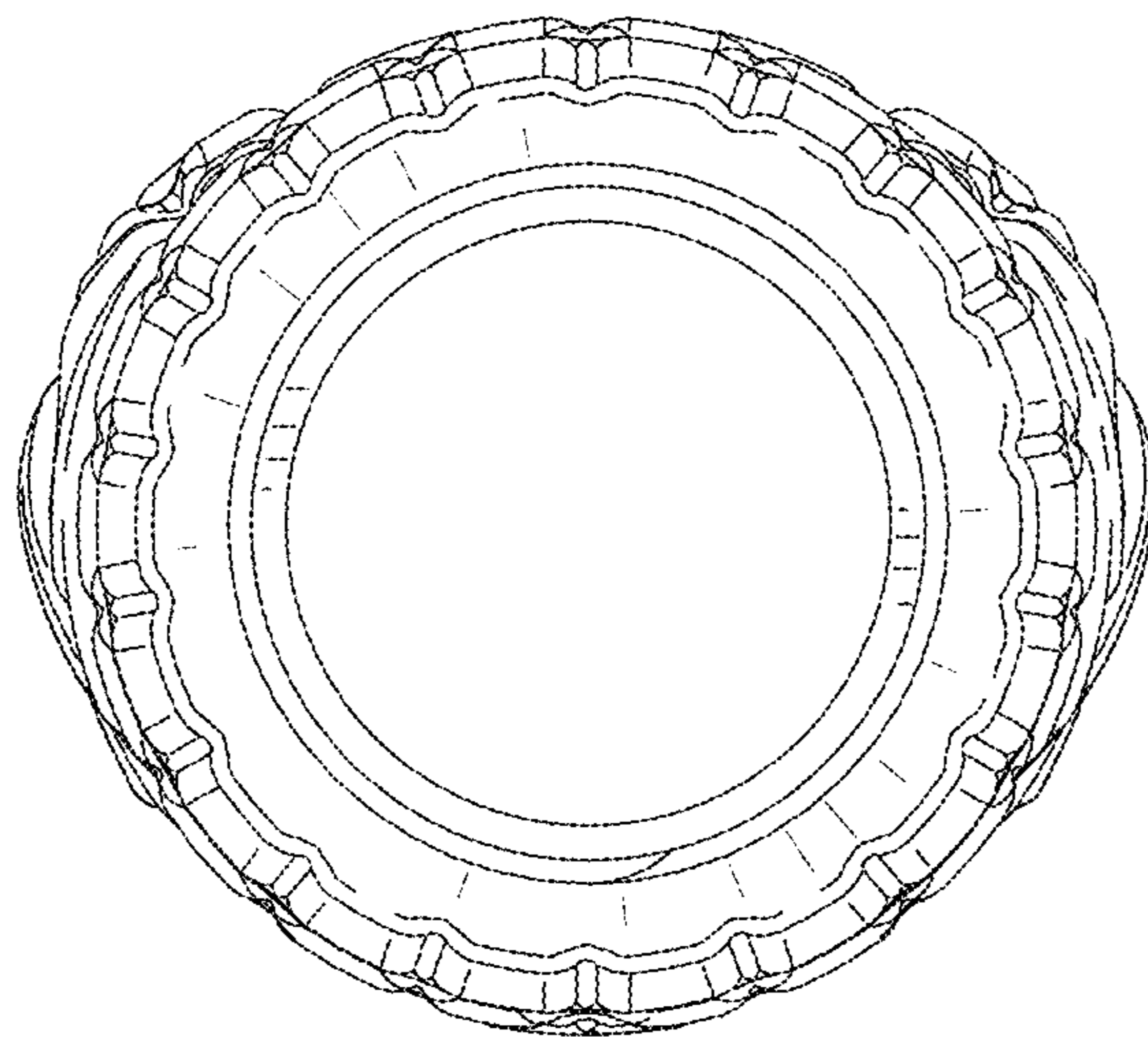


FIG. 12