



US00D781707S

(12) **United States Design Patent** (10) **Patent No.:** **US D781,707 S**  
**Schorre** (45) **Date of Patent:** **\*\* Mar. 21, 2017**

(54) **BEVERAGE CAN PULL TAB**

(71) Applicant: **Christopher P Schorre**, Austin, TX (US)

(72) Inventor: **Christopher P Schorre**, Austin, TX (US)

(73) Assignee: **WingTab LLC**, Austin, TX (US)

(\*\*) Term: **15 Years**

(21) Appl. No.: **29/534,472**

(22) Filed: **Jul. 29, 2015**

**Related U.S. Application Data**

(63) Continuation-in-part of application No. 29/467,506, filed on Sep. 19, 2013, now Pat. No. Des. 739,728, (Continued)

(51) **LOC (10) Cl.** ..... **09-07**

(52) **U.S. Cl.**  
USPC ..... **D9/438**

(58) **Field of Classification Search**  
USPC .... D9/434, 435, 438, 499; D7/396.2, 392.1, D7/541, 553.2, 605, 627; 220/269, 272, 220/470; 229/123.2, 406  
(Continued)

(56) **References Cited**

**U.S. PATENT DOCUMENTS**

2,870,935 A 1/1959 Ayres  
3,822,496 A 7/1974 Minder  
(Continued)

**OTHER PUBLICATIONS**

“Patented ergonomic design makes WingTab easier to open”, www.thewingtab.com, 2 pages found online Aug. 23, 2016 at http://www.thewingtab.com/design-features/.\*

(Continued)

*Primary Examiner* — Robert M Spear

(74) *Attorney, Agent, or Firm* — Pierson IP, PLLC

(57) **CLAIM**

The ornamental design for a beverage can pull tab, as shown and described.

**DESCRIPTION**

FIG. 1 is bottom perspective view of a beverage can pull tab showing our new design thereof;

FIG. 2 is a top perspective view of the beverage can pull tab shown in FIG. 1;

FIG. 3 is a bottom view of the beverage can pull tab of the pull tab shown in FIG. 1;

FIG. 4 is a front view of the beverage can pull tab of the pull tab shown in FIG. 1;

FIG. 5 is a back view of the beverage can pull tab shown in FIG. 1;

FIG. 6 is a side view of the beverage can pull tab shown in FIG. 1;

FIG. 7 is a bottom perspective view of the beverage can pull tab shown in FIG. 1;

FIG. 8 is a top perspective view of the beverage can pull tab shown in FIG. 1;

FIG. 9 is a top view of the beverage can pull tab shown in FIG. 1 applied to a beverage can, which is shown in broken lines indicating environment. The broken lines form no part of the claimed design.

FIG. 10 is bottom perspective view of a beverage can pull tab showing a second embodiment of our new design thereof;

FIG. 11 is a top perspective view of the beverage can pull tab shown in FIG. 10;

FIG. 12 is a bottom view of the pull tab of the beverage can pull tab shown in FIG. 10;

FIG. 13 is a front view of the beverage can pull tab of the pull tab shown in FIG. 10;

FIG. 14 is a back view of the beverage can pull tab shown in FIG. 10;

FIG. 15 is a side view of the beverage can pull tab shown in FIG. 10;

FIG. 16 is a bottom perspective view of the beverage can pull tab shown in FIG. 10;

(Continued)

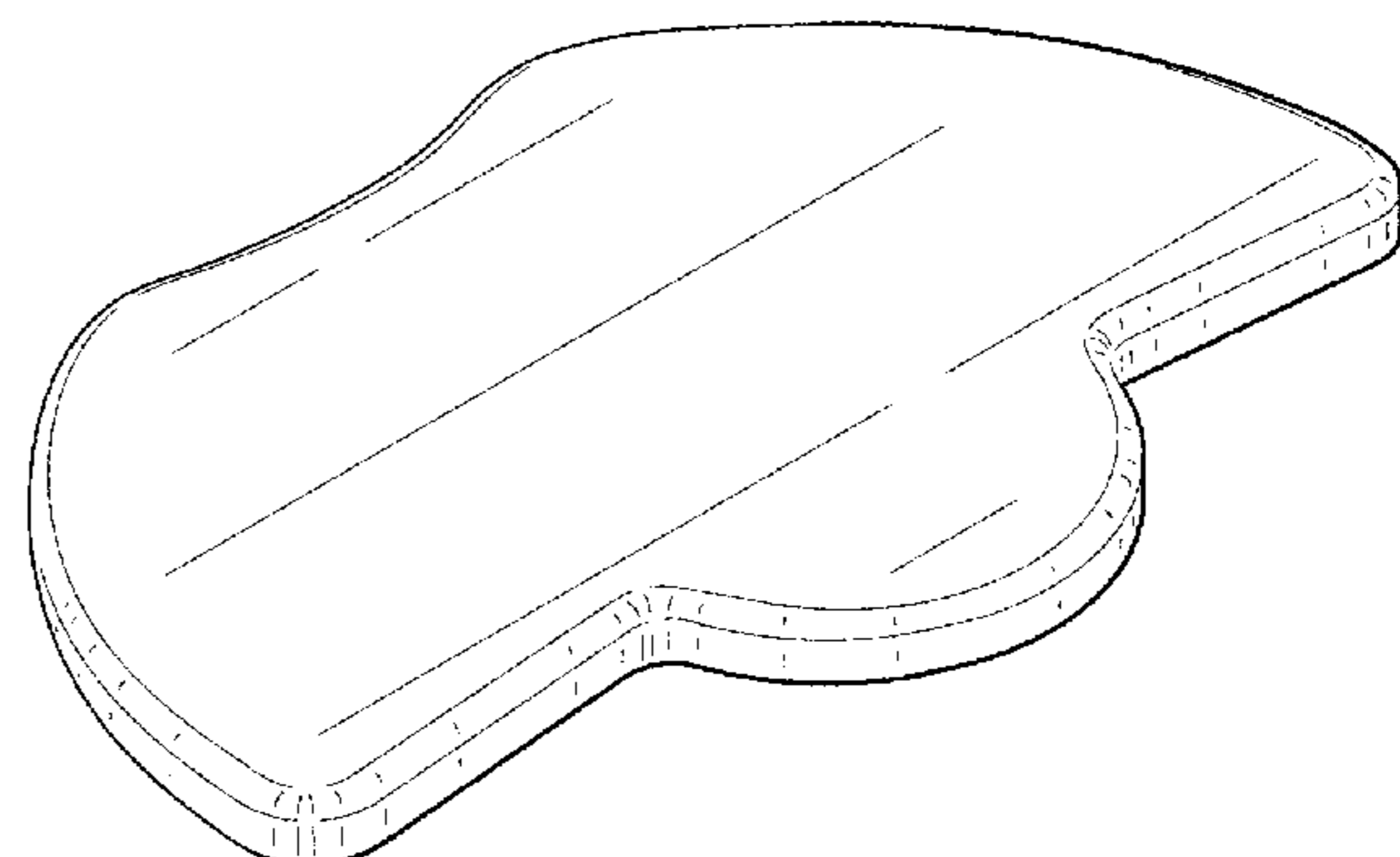
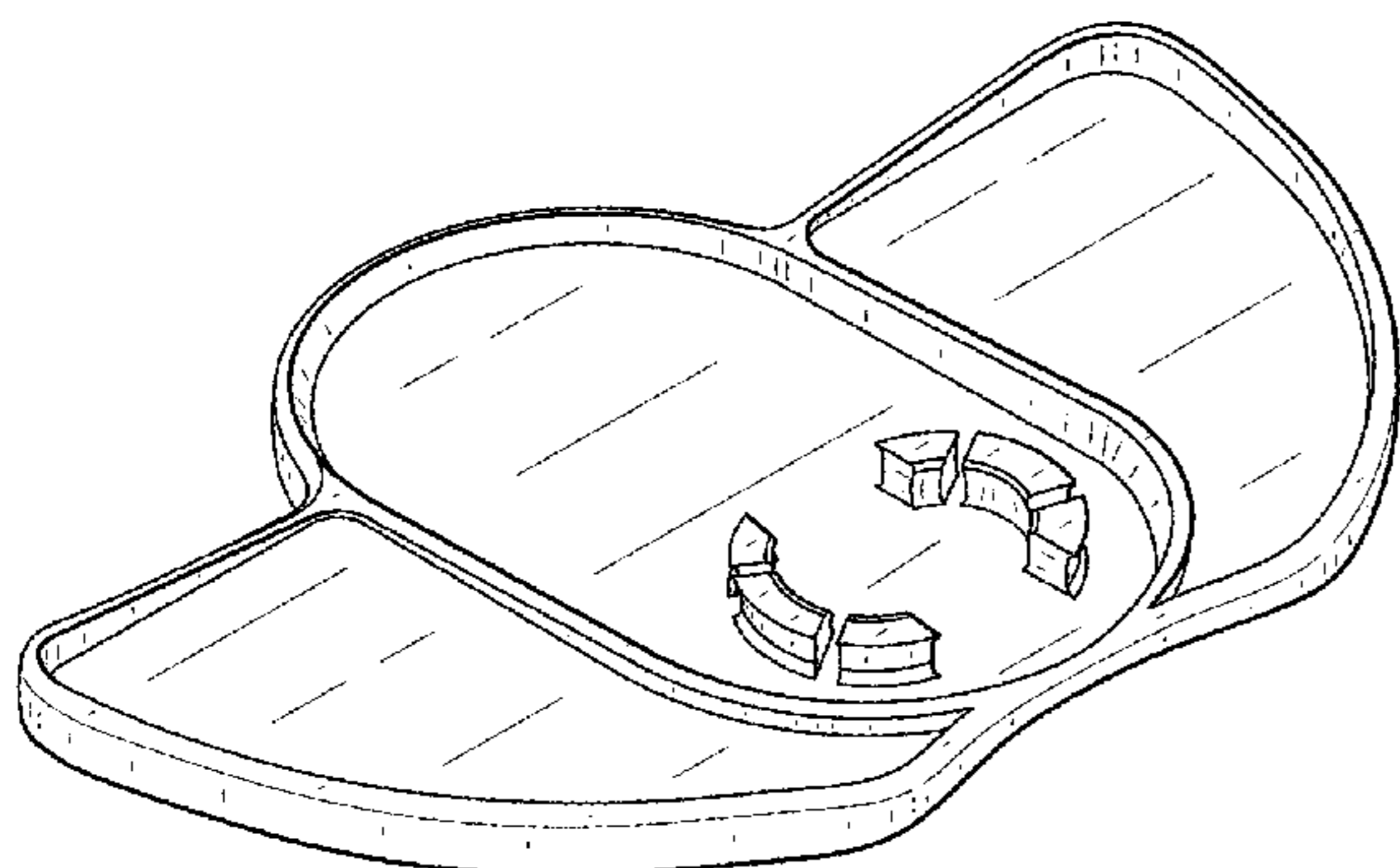


FIG. 17 is a top perspective view of the beverage can pull tab shown in FIG. 10; and, FIG. 18 is a top view of the beverage can pull tab shown in FIG. 10 applied to a beverage can, which is shown in broken lines indicating environment. The broken lines form no part of the claimed design. The broken lines in the drawings represent unclaimed environmental subject matter and form no part of the claim.

**1 Claim, 18 Drawing Sheets**

**Related U.S. Application Data**

which is a continuation of application No. 13/305,097, filed on Nov. 28, 2011, now Pat. No. 8,695,245.

(58) **Field of Classification Search**

CPC ..... B65D 17/165  
See application file for complete search history.

(56) **References Cited**

U.S. PATENT DOCUMENTS

5,316,166	A	5/1994	Pavely et al.	
D385,493	S	10/1997	Zhang	
5,799,815	A	9/1998	Lang	
5,975,327	A *	11/1999	Funk .....	B65D 17/166 220/269
D441,005	S *	4/2001	Parham, Jr. ....	84/322
D454,307	S *	3/2002	Lindsey .....	D9/435
D474,967	S	5/2003	Kaneko	

D489,773	S *	5/2004	Manville .....	D21/386
D535,877	S *	1/2007	Tanninen .....	D9/438
D556,036	S	11/2007	Lohrman et al.	
D625,184	S	10/2010	Forrest et al.	
8,146,758	B1	4/2012	Peres	
8,695,245	B2 *	4/2014	Schorre .....	B65D 17/165 220/269
D721,271	S *	1/2015	Fabiszewski .....	D9/438
8,931,656	B2 *	1/2015	Ramsey .....	B65D 17/506 220/254.3
D739,728	S *	9/2015	Schorre .....	D9/438
D759,481	S *	6/2016	Seguin .....	D9/438
2005/0258175	A1 *	11/2005	Robertson .....	B65D 17/165 220/269
2006/0196875	A1	9/2006	Cherian	
2010/0193519	A1	8/2010	Forrest	
2012/0273492	A1	11/2012	Werth et al.	
2013/0134065	A1 *	5/2013	Schorre .....	B65D 17/165 206/459.5

OTHER PUBLICATIONS

“WingTab drives impulse purchases, repeat sales and more engagement with your customers.” [www.thewingtab.com](http://www.thewingtab.com), 2 pages found online Aug. 23, 2016 at <http://www.thewingtab.com/beverage-marketer/>.\*

“WingTab Gives Conventional Can Tabs a Much Needed Makeover Q & A with Chris Schorre (founder and CEO of WingTab)” [www.craftcans.com](http://www.craftcans.com), Jul. 1, 2014. 4 pages. Found online at <http://www.craftcans.com/wingtab-gives-conventional-can-tabs-a-much-needed-makeover-q-and-a-with-chris-schorrefounder-and-ceo-of-wingtab/>.\*

\* cited by examiner

FIG. 1

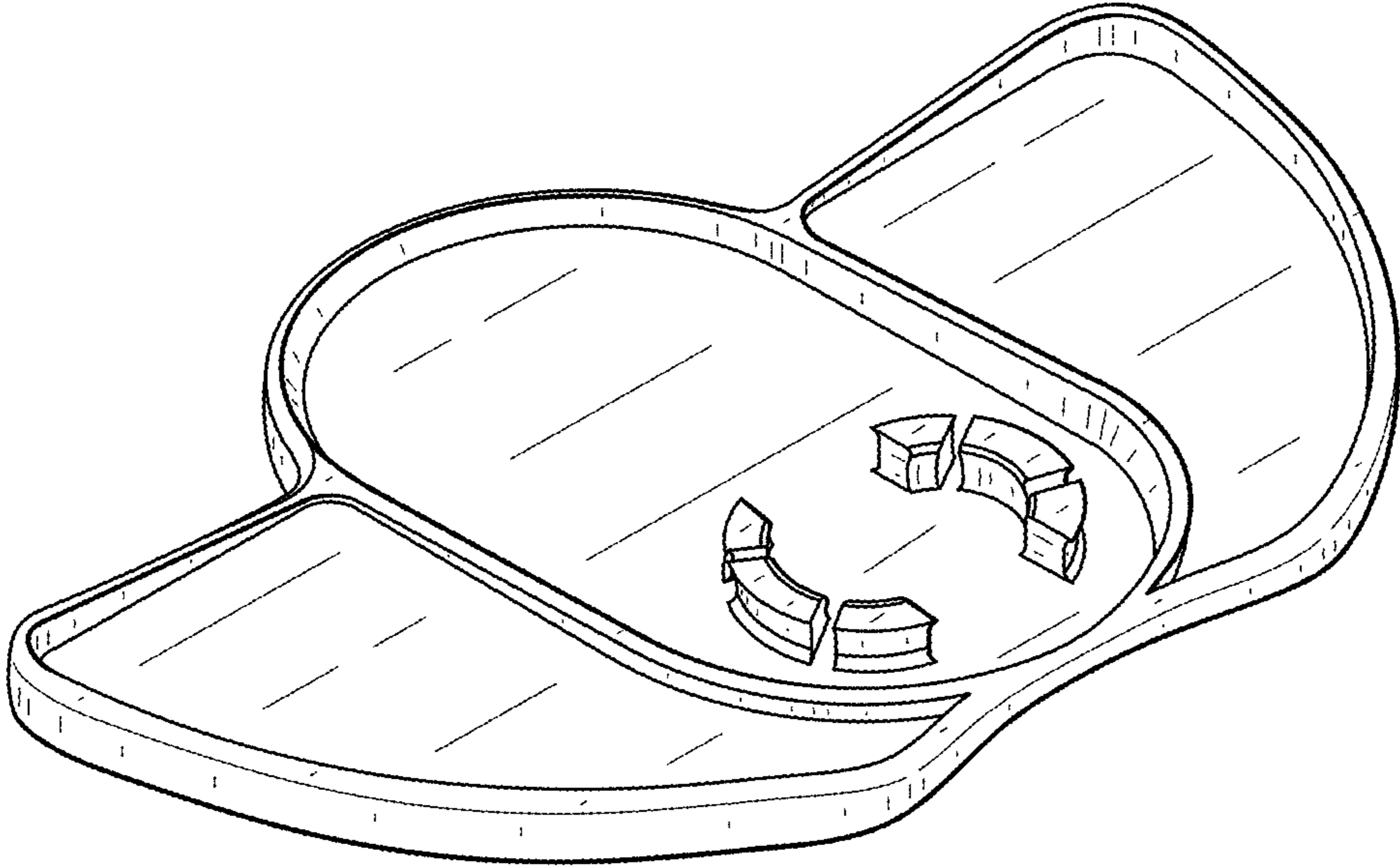


FIG. 2

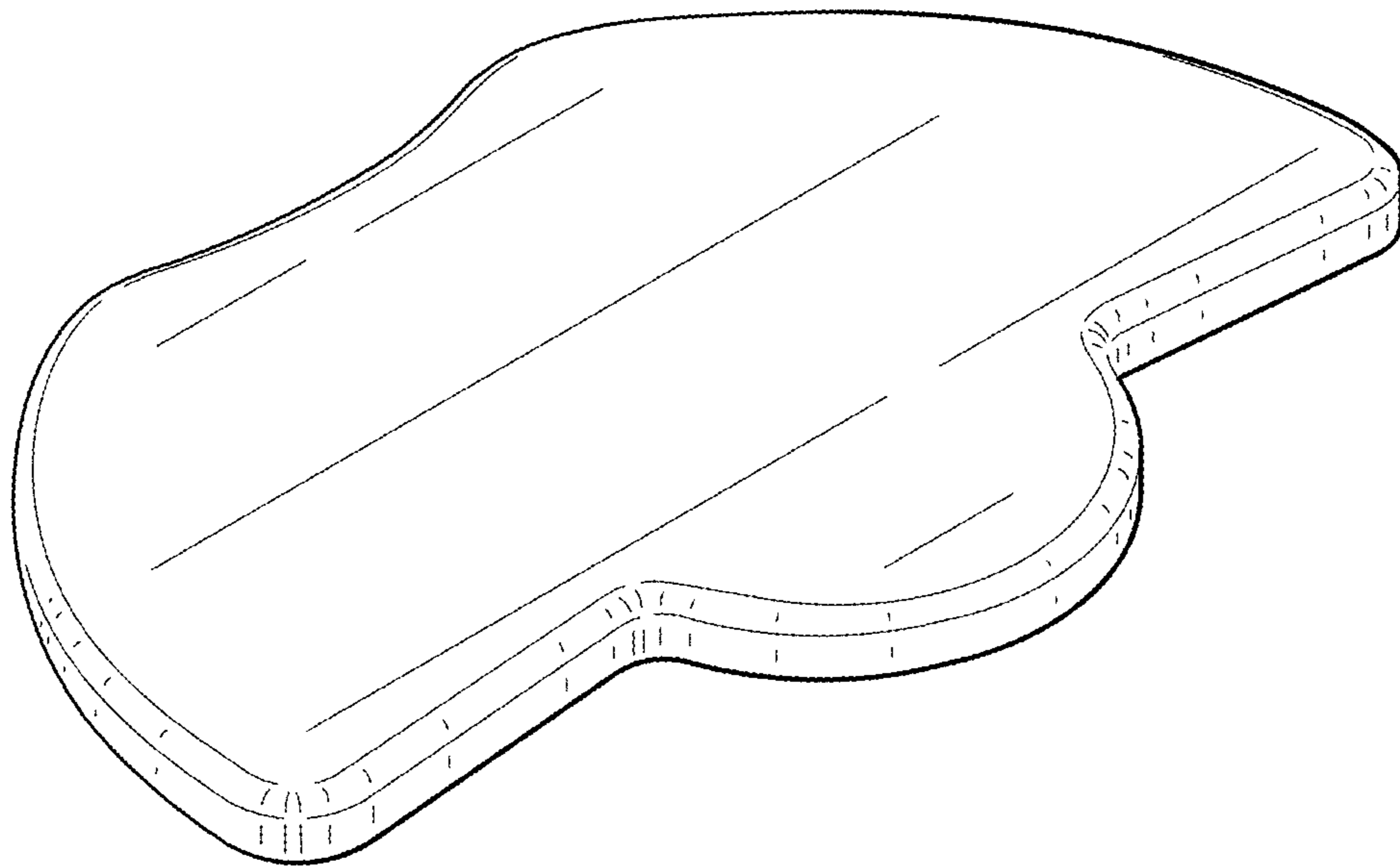


FIG. 3

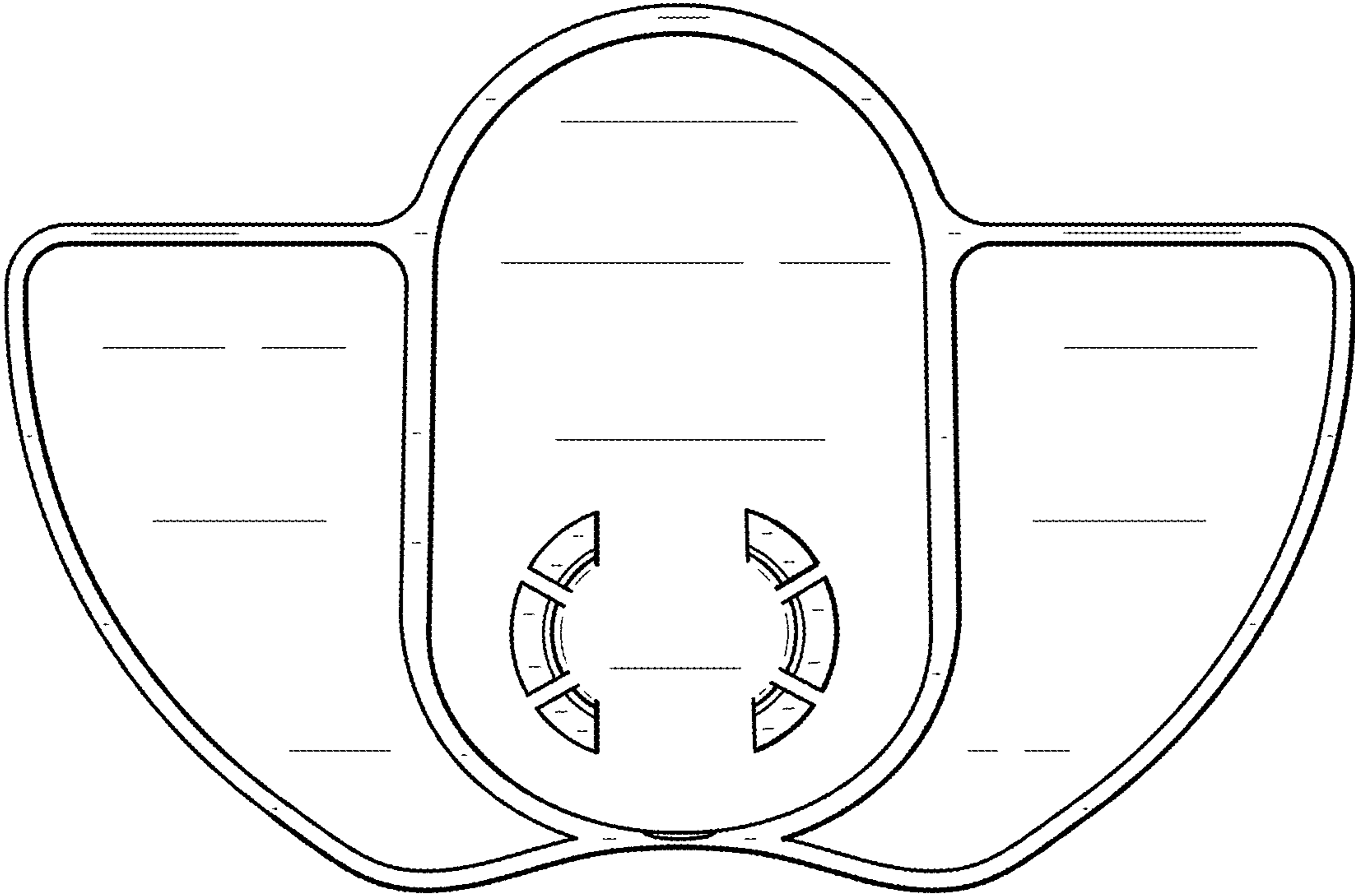


FIG. 4

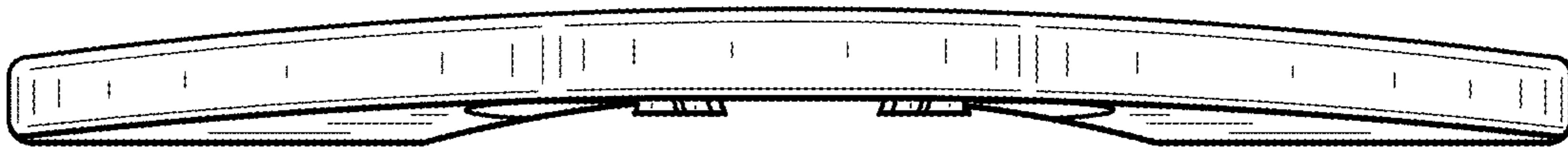


FIG. 5

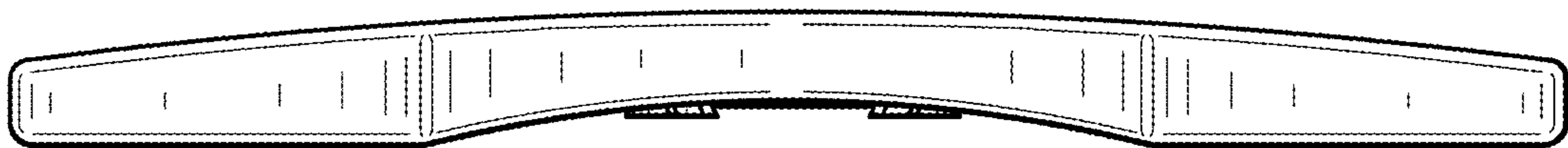


FIG. 6

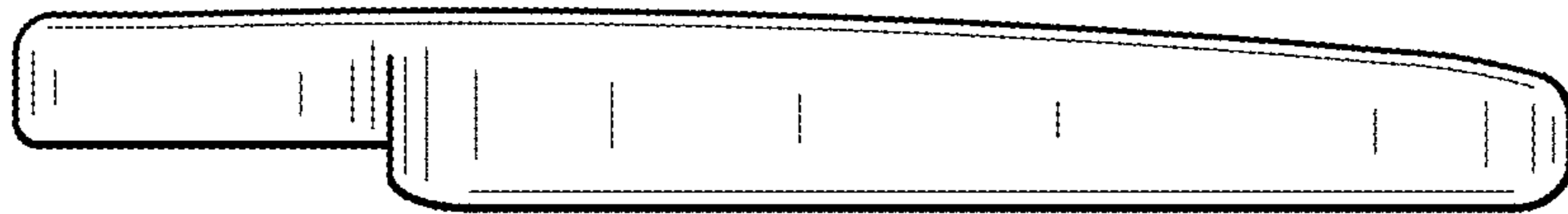




FIG. 7

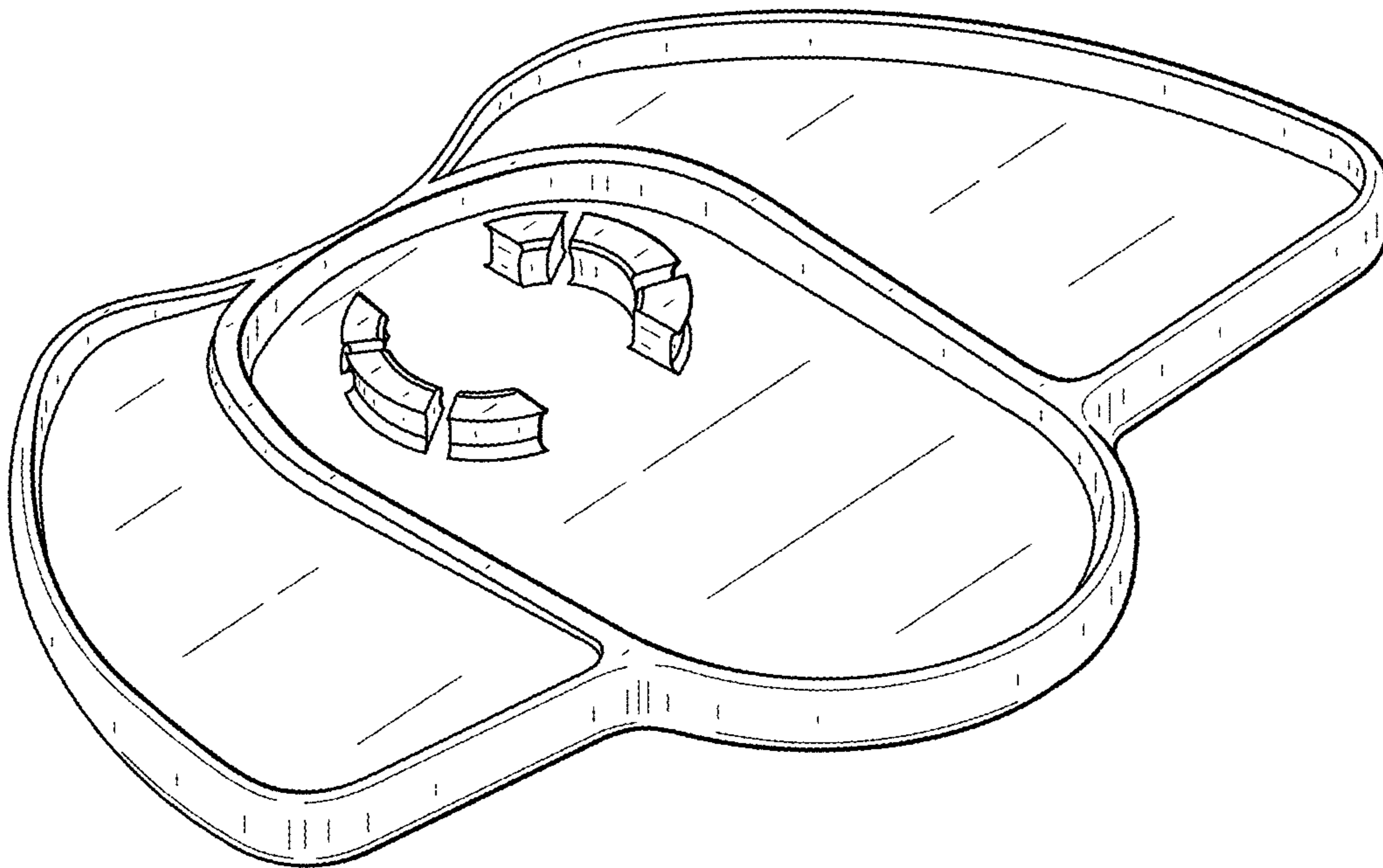


FIG. 8

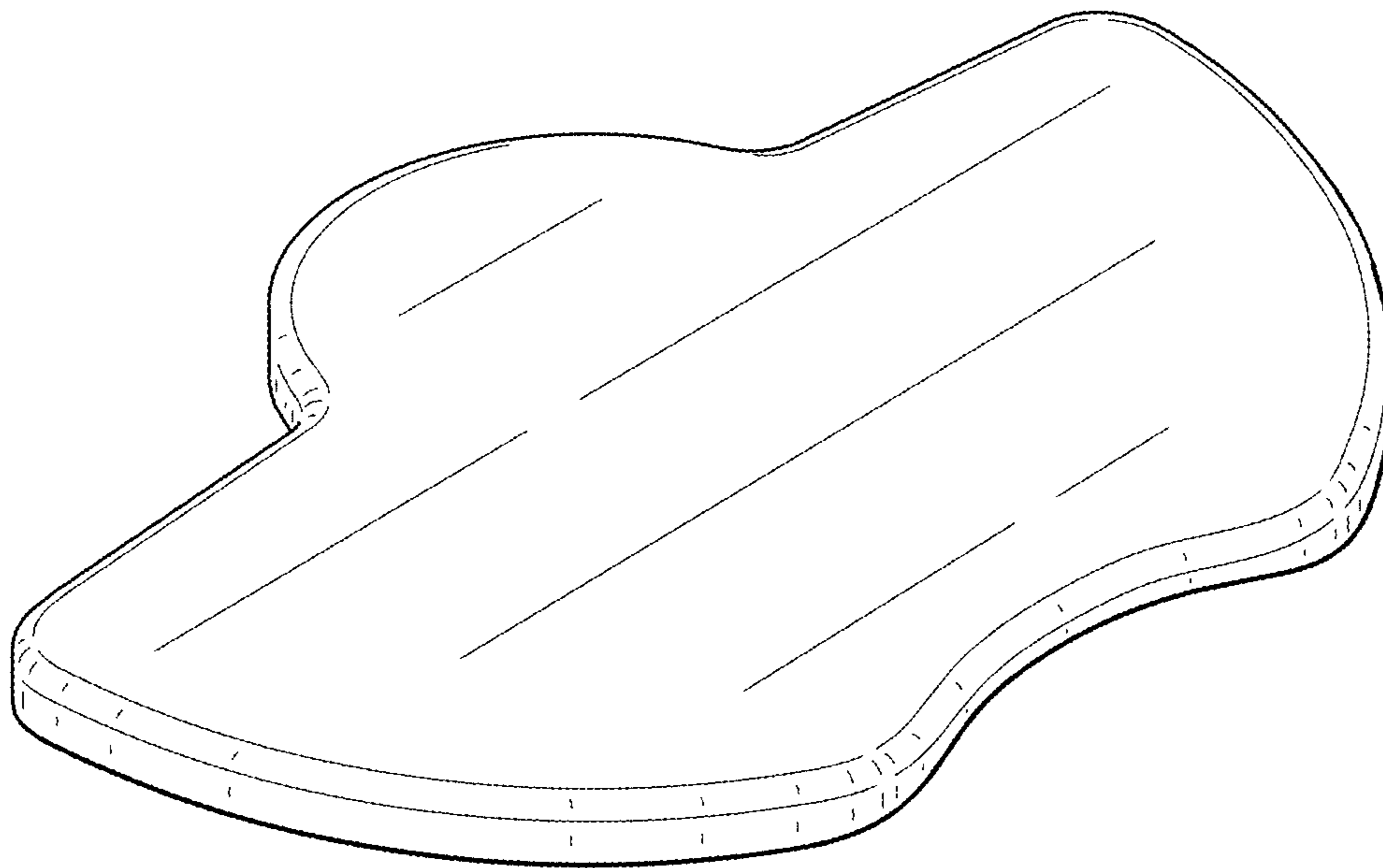


FIG. 9

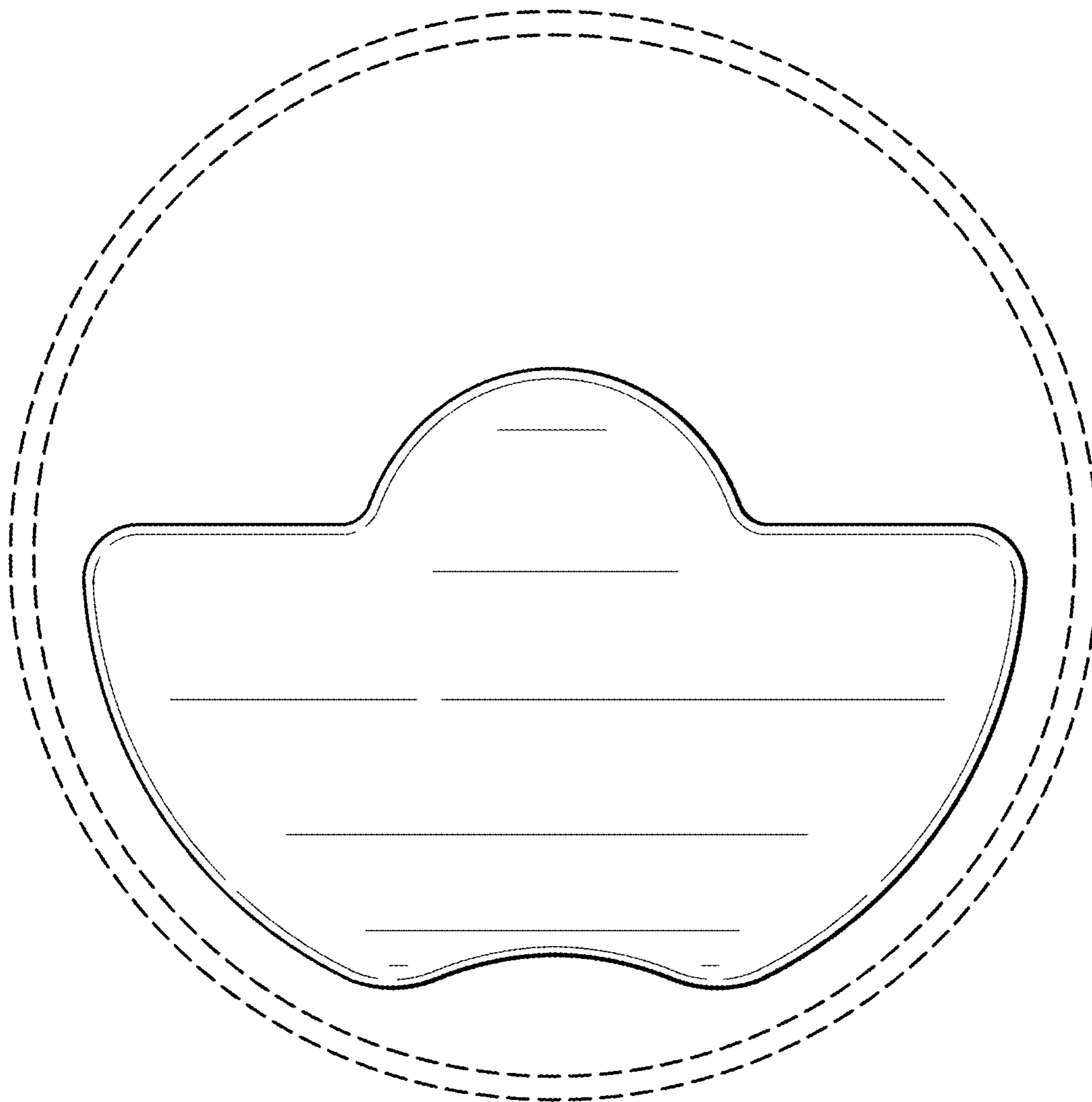


FIG. 10

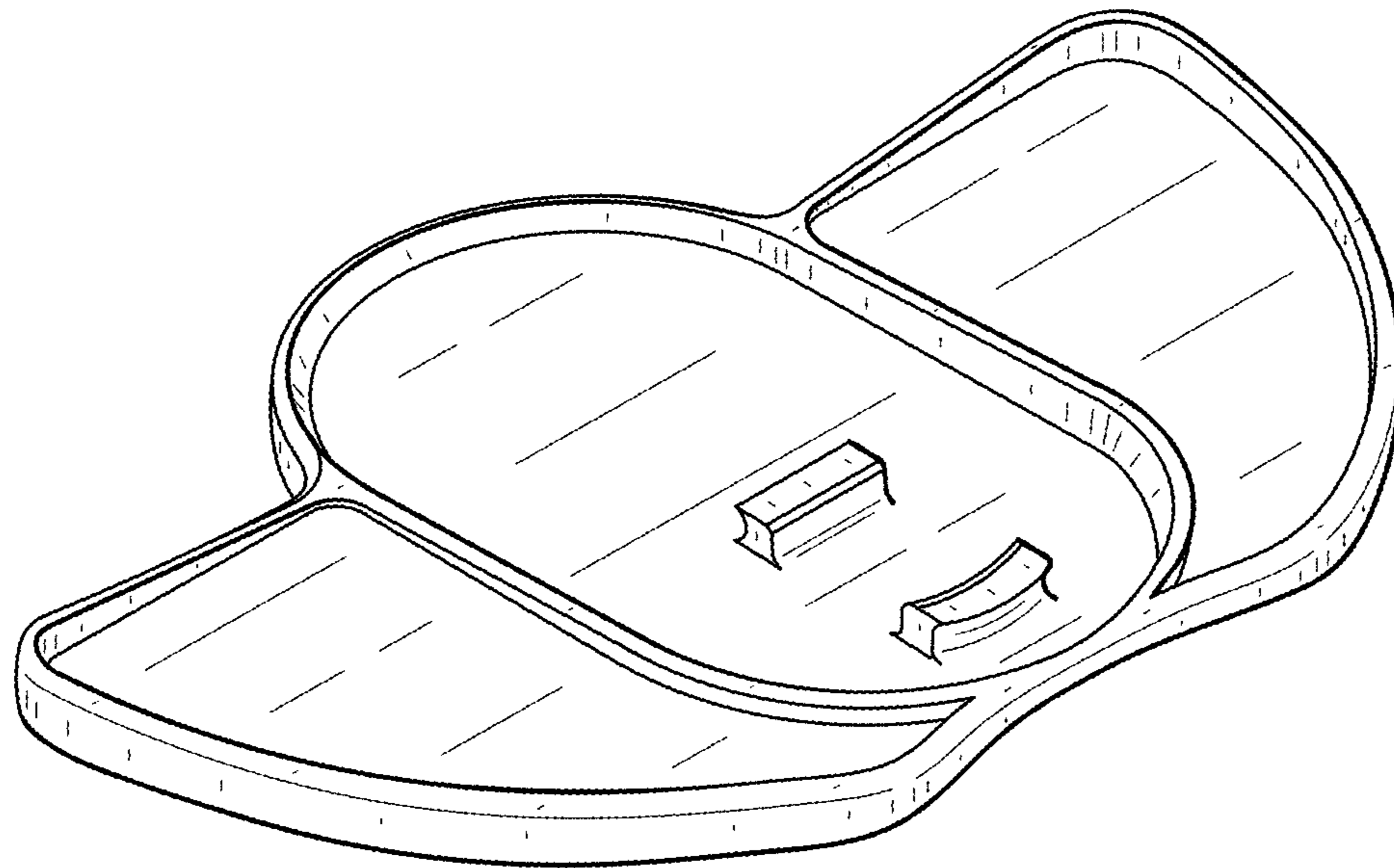


FIG. 11

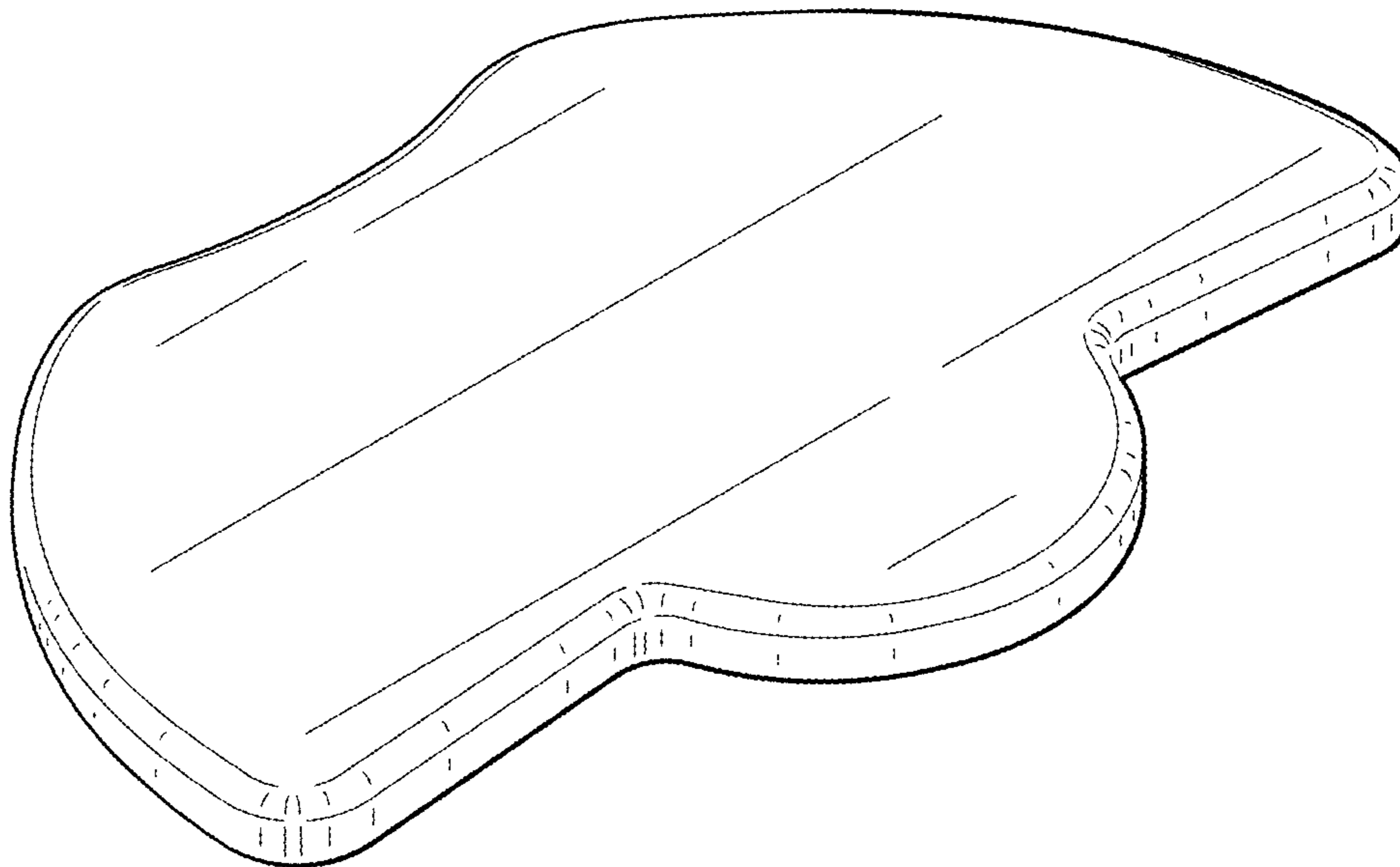


FIG. 12

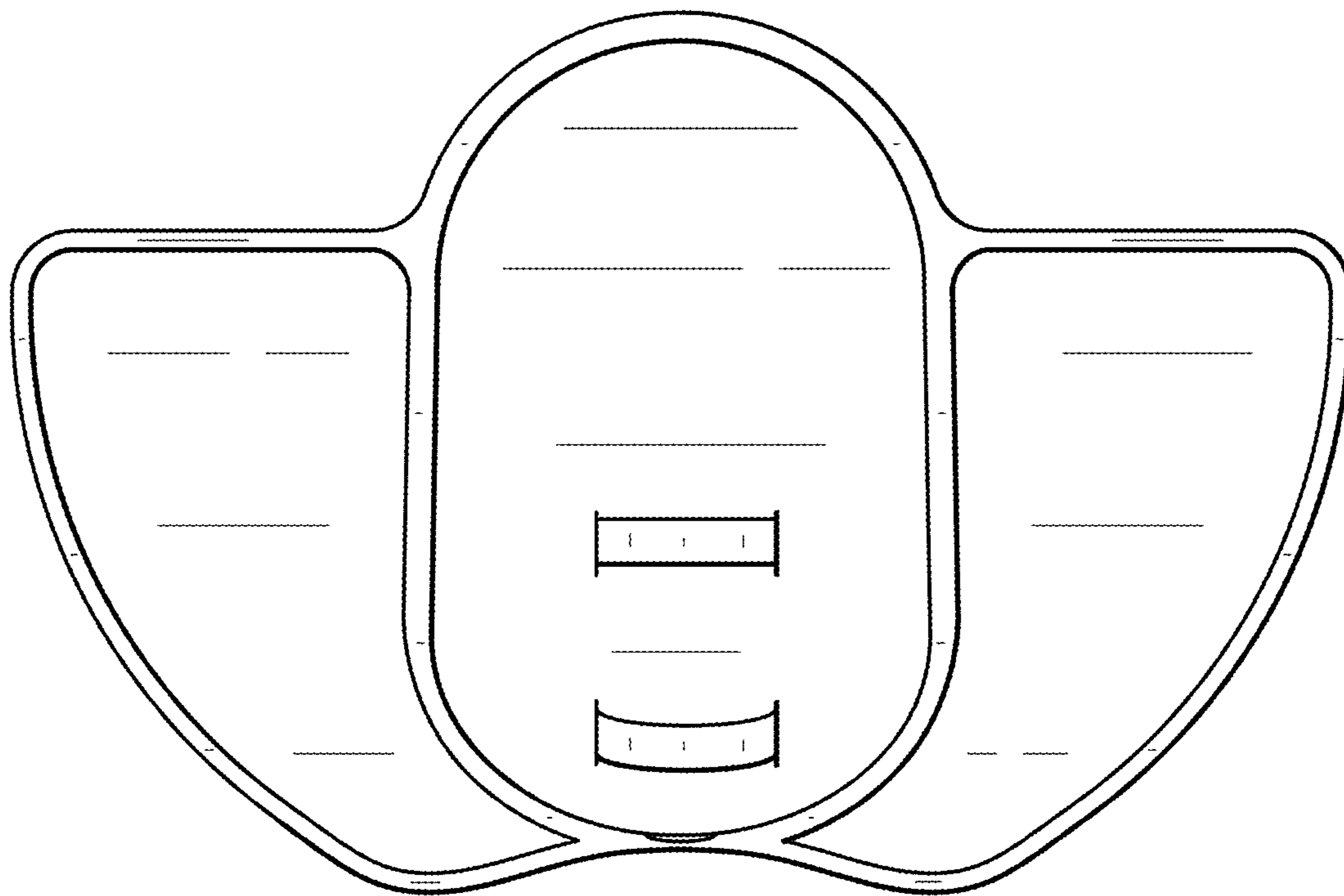


FIG. 13

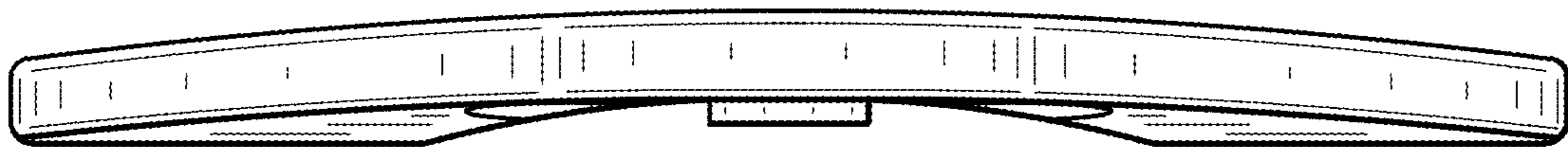


FIG. 14

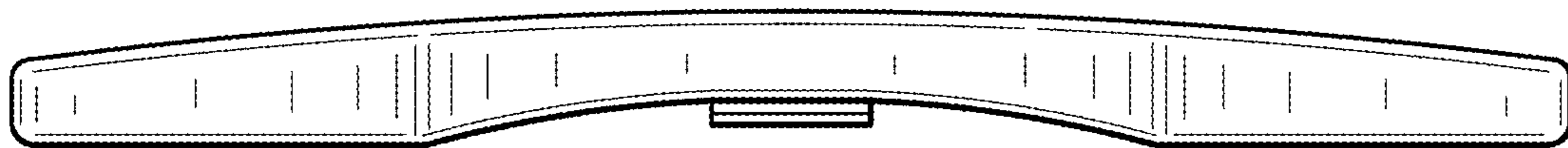




FIG. 15

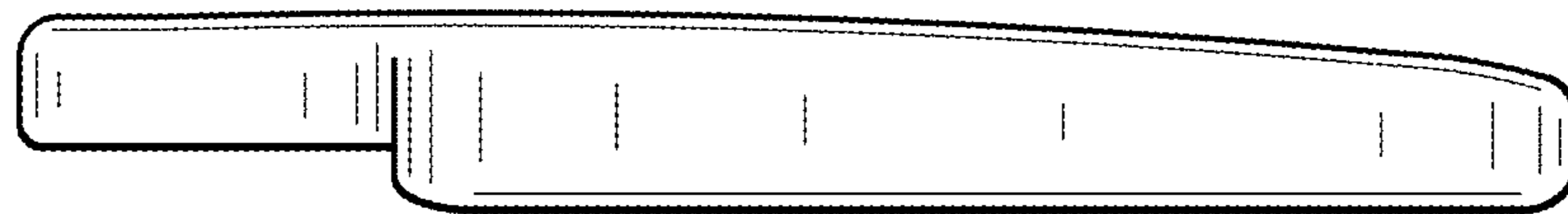


FIG. 16

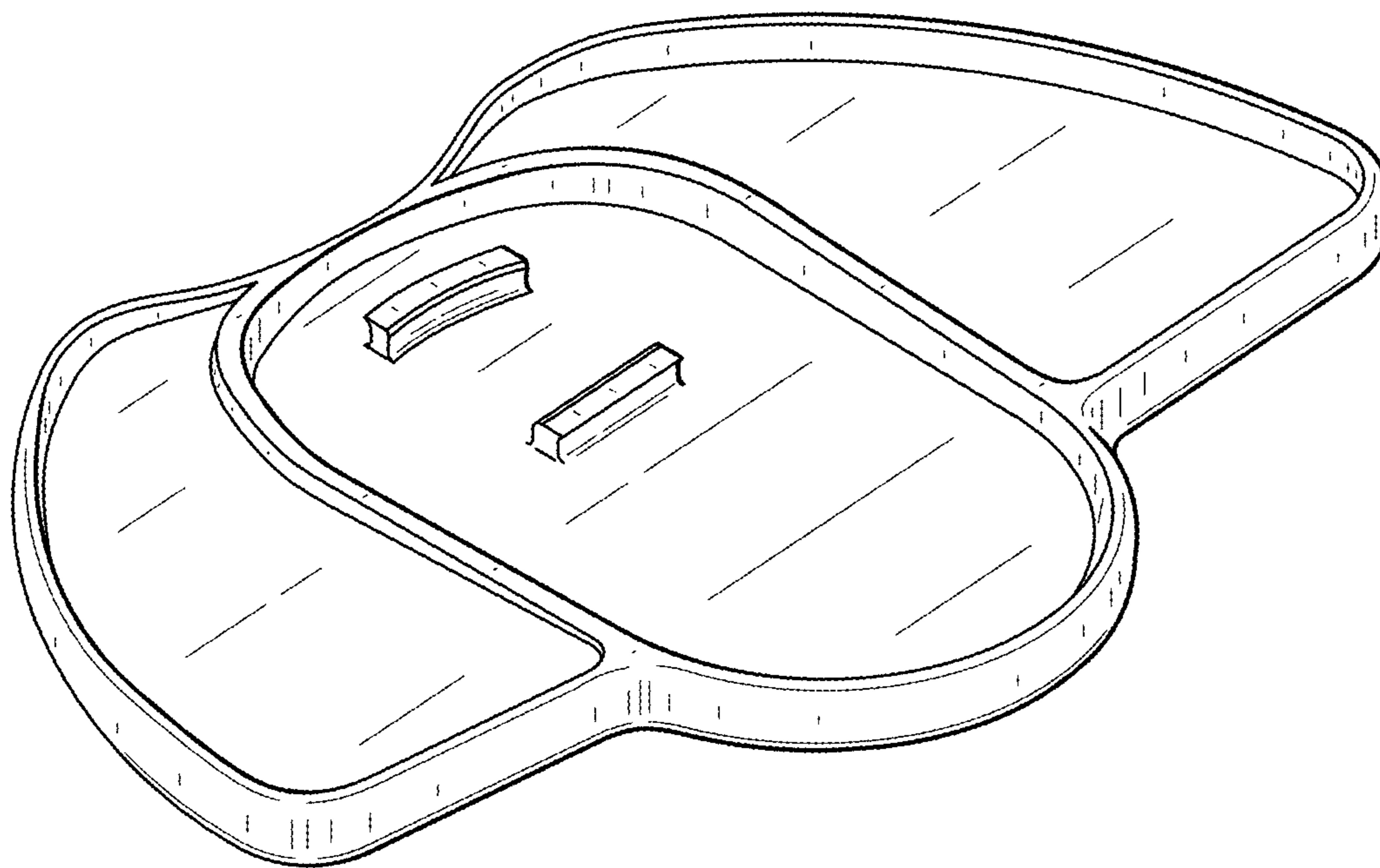


FIG. 17

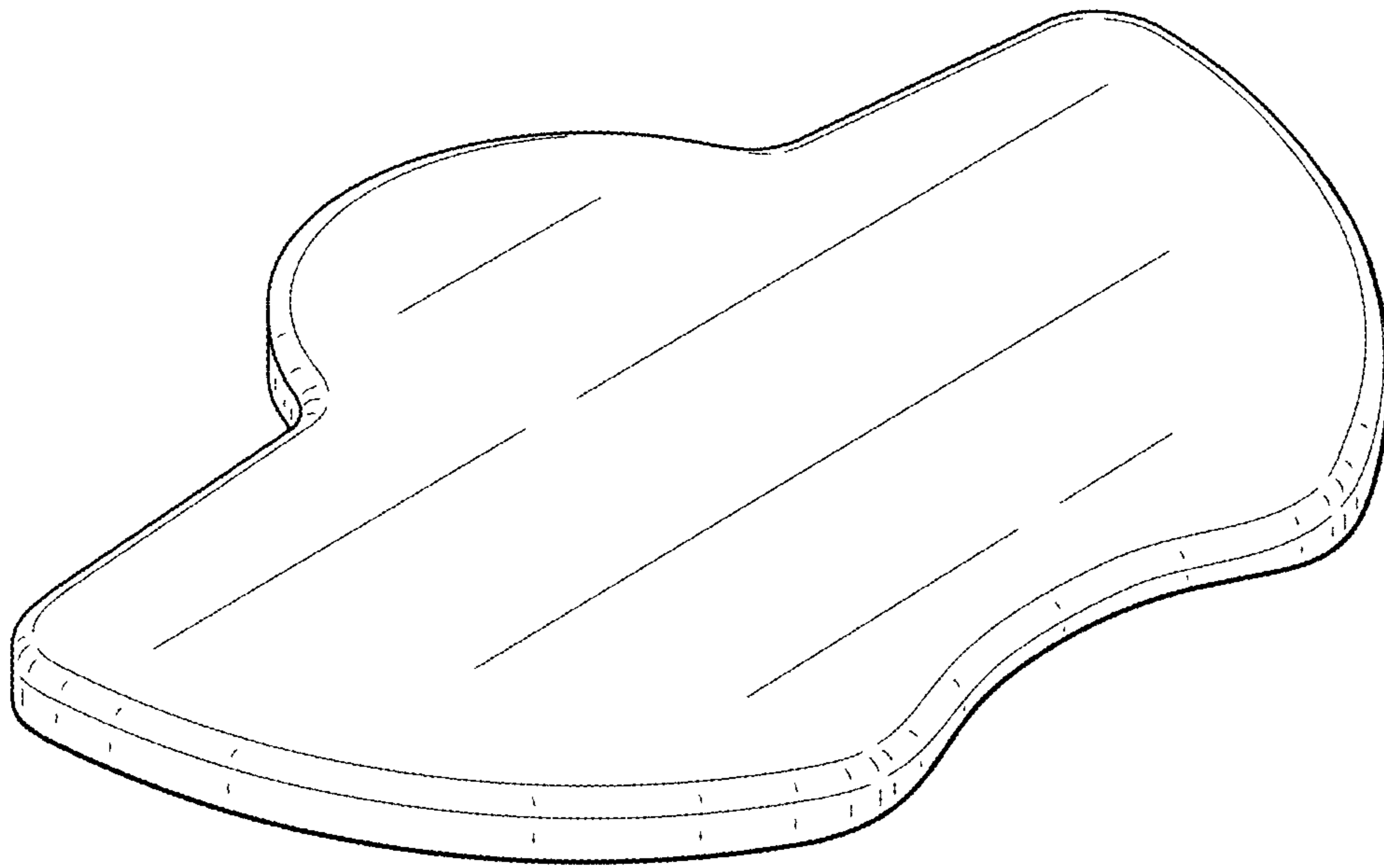


FIG. 18

