



US00D781706S

(12) **United States Design Patent**
Kotyuk

(10) **Patent No.:** **US D781,706 S**
(45) **Date of Patent:** **** Mar. 21, 2017**

(54) **BEVERAGE LID WITH INTEGRATED
CONDIMENT WELL**

6,209,748 B1 4/2001 Dunbar
6,427,864 B1 8/2002 Asselin
D473,791 S 4/2003 Loris
6,932,231 B2 8/2005 Haynes
D511,435 S 11/2005 Roth
D516,910 S * 3/2006 Bresler D9/447
(Continued)

(71) Applicant: **Andrew F. Kotyuk**, San Jacinto, CA
(US)

(72) Inventor: **Andrew F. Kotyuk**, San Jacinto, CA
(US)

(**) Term: **15 Years**

(21) Appl. No.: **29/564,288**

(22) Filed: **May 12, 2016**

Related U.S. Application Data

(62) Division of application No. 29/528,137, filed on May 26, 2015, now Pat. No. Des. 758,187, which is a division of application No. 29/491,779, filed on May 23, 2014, now Pat. No. Des. 731,889, which is a division of application No. 29/446,613, filed on Feb. 26, 2013, now Pat. No. Des. 713,248.

(51) **LOC (10) Cl.** **09-07**

(52) **U.S. Cl.**
USPC **D9/436; D9/454**

(58) **Field of Classification Search**
USPC D7/401, 510, 900; D9/434, 435, 436,
D9/438, 445, 452, 453, 454; D24/224;
215/200, 235, 236, 252, 254, 329,
215/355-364; 220/556
CPC B65D 2231/022; B65D 1/26; B65D
2543/00027; B65D 2543/00046; B65D
2543/00842

See application file for complete search history.

(56) **References Cited**

U.S. PATENT DOCUMENTS

4,848,579 A 7/1989 Barnes
5,722,558 A 3/1998 Thompson

OTHER PUBLICATIONS

Kotyuk; U.S. Appl. No. 29/446,613, filed Feb. 26, 2013.
(Continued)

Primary Examiner — Robert M Spear
Assistant Examiner — Marissa J. Cash
(74) *Attorney, Agent, or Firm* — Fitch, Even, Tabin &
Flannery LLP

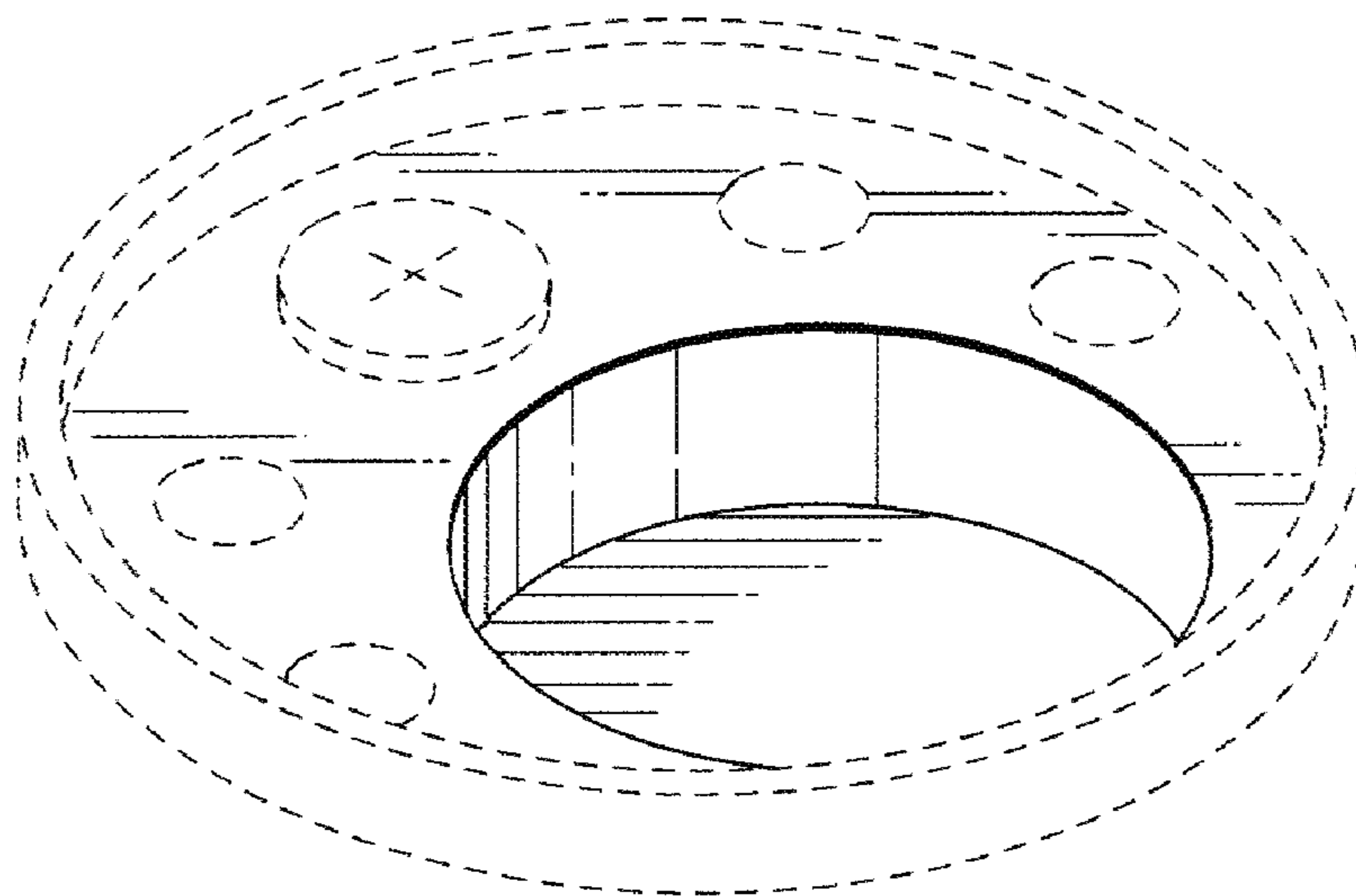
(57) **CLAIM**

I claim the ornamental design for a beverage lid with integrated condiment well, as shown and described.

DESCRIPTION

FIG. 1 is a perspective view of a beverage lid with integrated condiment well in accordance with of my new design; FIG. 2 is a top plan view thereof; FIG. 3 is a front elevational view thereof, the back elevational view being identical thereto; FIG. 4 is a left side elevational view thereof, the right side elevational view being a mirror image thereof; and, FIG. 5 is a bottom plan view thereof. In the drawings, the claimed design is defined by the shaded surfaces; broken lines immediately adjacent shaded surfaces represent boundaries of the claim and form no part thereof; all other broken lines depict unclaimed environmental subject matter and form no part of the claim.

1 Claim, 2 Drawing Sheets



(56)

References Cited

U.S. PATENT DOCUMENTS

D535,561 S	1/2007	Smith	
D536,923 S	2/2007	Roth	
D556,037 S	11/2007	DAmato	
D559,105 S	1/2008	DAmato	
7,318,536 B2	1/2008	Maravich	
D570,685 S *	6/2008	Koennecke D9/447
D588,002 S	3/2009	DAmato	
D619,000 S	7/2010	Scheve	
D634,192 S	3/2011	Mueller	
7,942,260 B1	5/2011	Rodriguez	
D642,915 S	8/2011	Swingle	
D661,186 S	6/2012	Snyder	
2004/0149755 A1	8/2004	Olivar	
2005/0178766 A1	8/2005	Washington	

OTHER PUBLICATIONS

Kotyuk; U.S. Appl. No. 29/491,775, filed May 23, 2014.
Kotyuk; U.S. Appl. No. 29/491,779, filed May 23, 2014.
Kotyuk; U.S. Appl. No. 29/528,137, filed May 26, 2015.
Notice of Allowance for U.S. Appl. No. 29/446,613 mailed May 1, 2014.
Notice of Allowance for U.S. Appl. No. 29/491,775 mailed Feb. 4, 2015.
Notice of Allowance for U.S. Appl. No. 29/491,779 issued Feb. 9, 2015.
Notice of Allowance for U.S. Appl. No. 29/528,137 mailed Feb. 19, 2016.
Restriction Requirement for U.S. Appl. No. 29/446,613 mailed Feb. 5, 2014.

* cited by examiner

FIG. 1

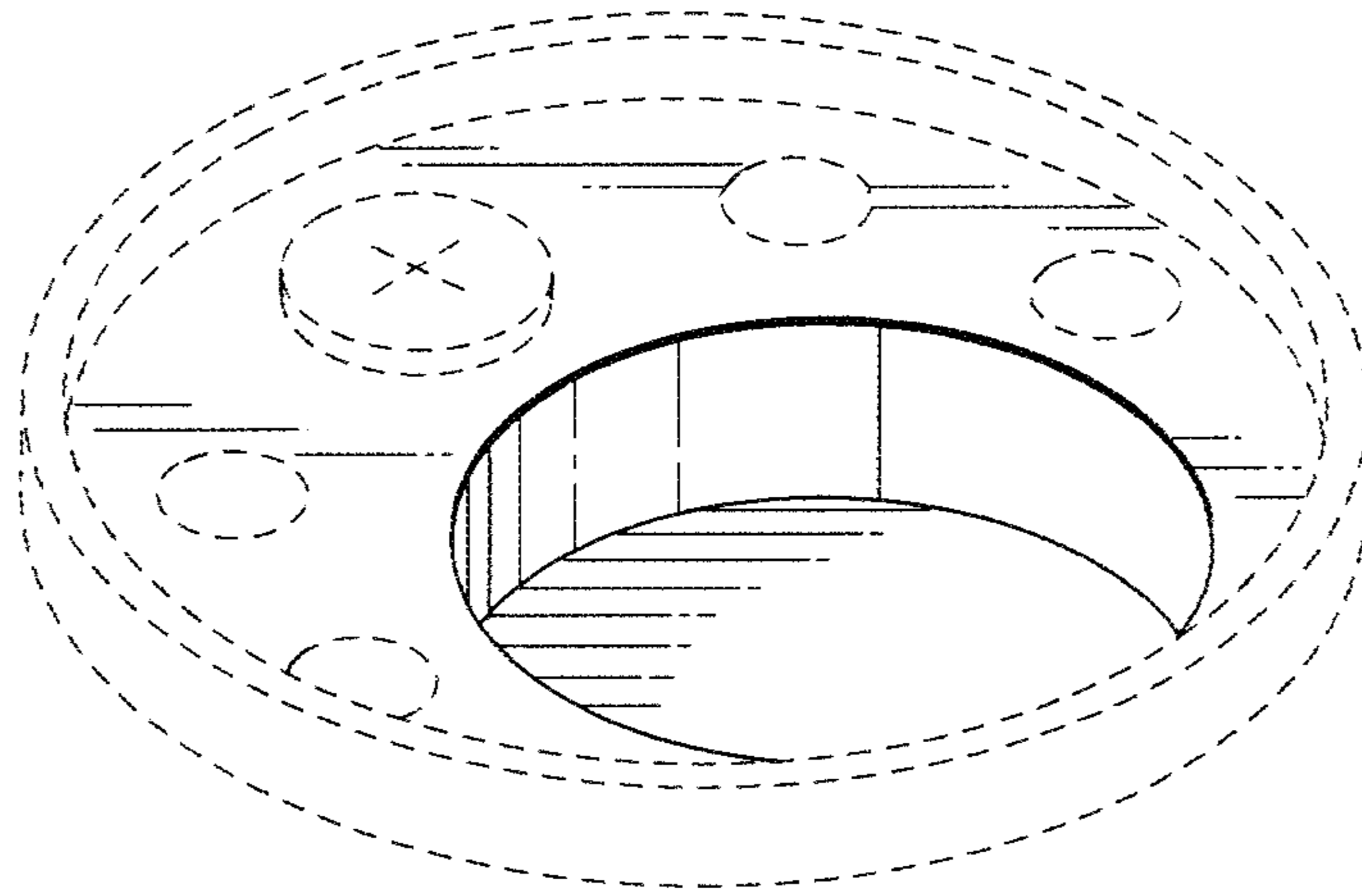


FIG. 2

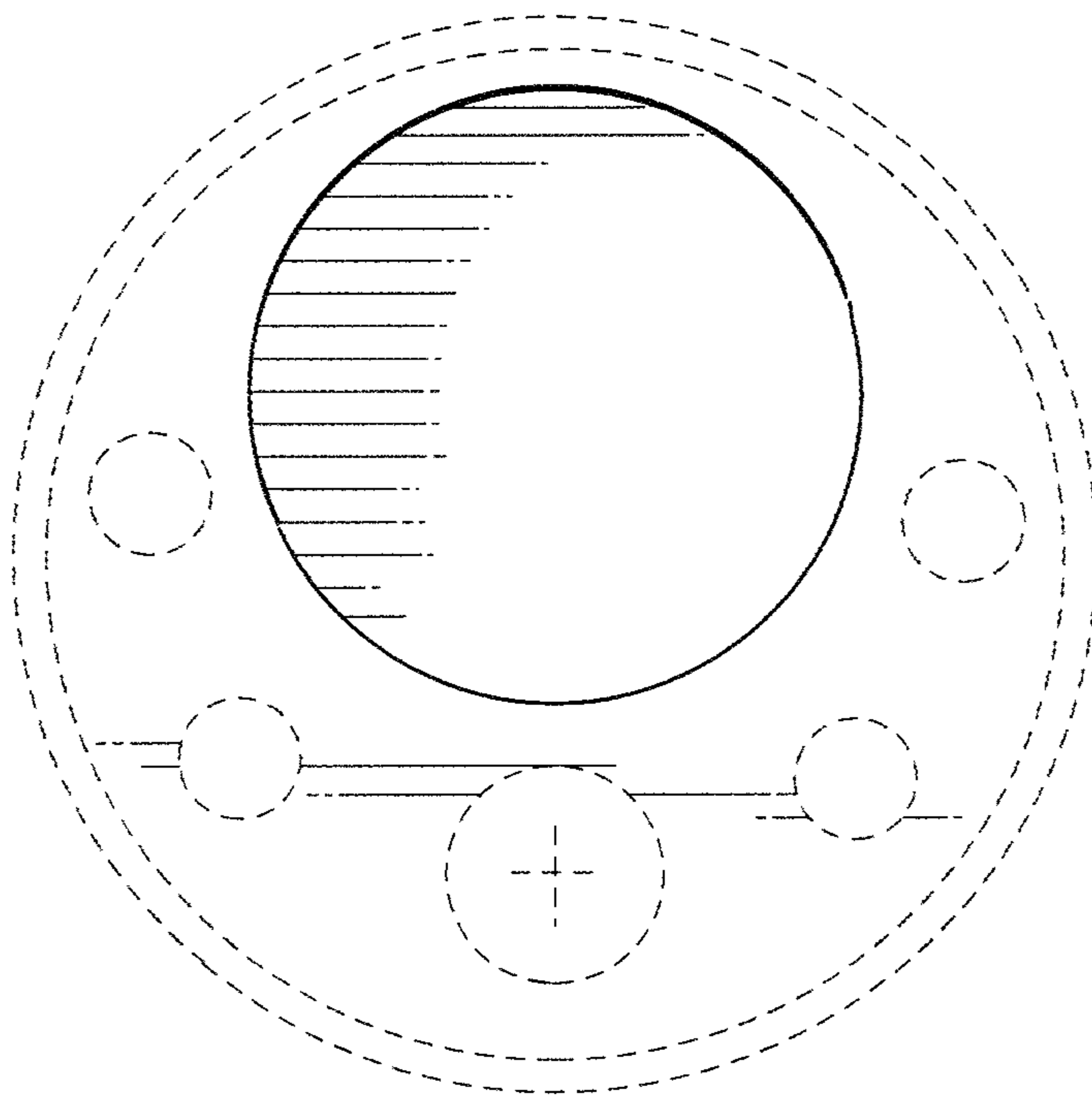


FIG. 3

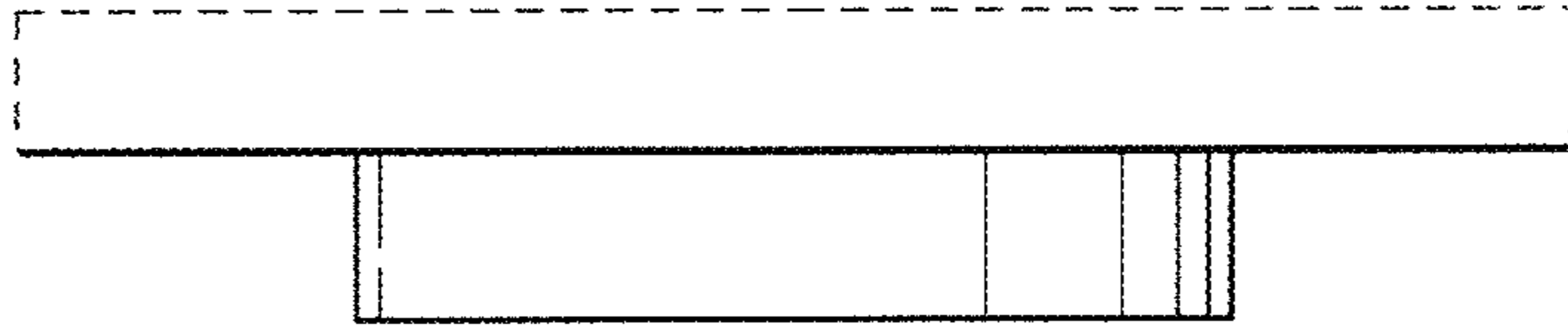


FIG. 4

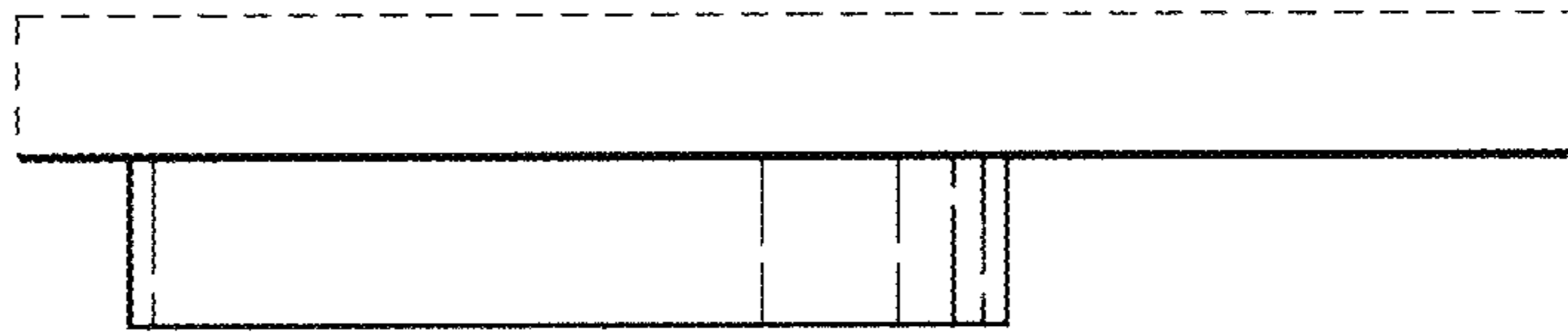


FIG. 5

