



US00D781705S

(12) **United States Design Patent**  
**Hewitt**

(10) **Patent No.:** **US D781,705 S**

(45) **Date of Patent:** **\*\* Mar. 21, 2017**

(54) **INTEGRATED DOSAGE CUP AND CHILD RESISTANT CAP**

D490,707 S \* 6/2004 Mataya ..... D24/224  
D586,213 S \* 2/2009 Wells ..... D9/453  
D607,326 S \* 1/2010 Branson ..... D9/453

(Continued)

(71) Applicant: **DoseCap, LLC**, Oxford, MS (US)

(72) Inventor: **William Lloyd Hewitt**, Oxford, MS (US)

(73) Assignee: **Dosecap, LLC**, Oxford, MS (US)

(\*\*) Term: **15 Years**

(21) Appl. No.: **29/537,147**

(22) Filed: **Aug. 22, 2015**

(51) **LOC (10) Cl.** ..... **09-07**

(52) **U.S. Cl.**  
USPC ..... **D9/436**

(58) **Field of Classification Search**  
USPC ..... D3/318; D7/396.2, 398; D9/434, 435,  
D9/436, 438, 440, 443, 444, 445, 447,  
D9/449, 452, 453, 454, 499  
CPC B65D 41/34; B65D 41/3438; B65D 41/0471;  
B65D 47/122; B65D 51/28  
See application file for complete search history.

(56) **References Cited**

**U.S. PATENT DOCUMENTS**

2,450,949 A \* 10/1948 Gattuccio ..... A61J 7/04  
116/308  
5,197,616 A \* 3/1993 Buono ..... B65D 50/041  
215/206  
5,289,932 A \* 3/1994 Dimeo ..... B29C 65/08  
215/232  
D418,419 S \* 1/2000 Briere ..... D9/438  
D470,051 S \* 2/2003 Bloom ..... D9/435  
D481,946 S \* 11/2003 Nicholson ..... D24/224  
D481,948 S \* 11/2003 Brozell ..... D9/443

**OTHER PUBLICATIONS**

Green Barley Saves. 30ml Recommended Daily Dosage of Green Barley. Apr. 16, 2012 [earliest online date], [site visited Dec. 2, 2016]. Available from Internet, <URL:http://www.greenbarleysaves.com/category/green-barley-saves-blog/>.\*

*Primary Examiner* — Robert M Spear

*Assistant Examiner* — Darcey E Hefflin

(74) *Attorney, Agent, or Firm* — Veritay Group, IP; Susan B. Fentress

(57) **CLAIM**

The ornamental design for an integrated dosage cup and child resistant cap, as shown and described.

**DESCRIPTION**

FIG. 1 is an isometric front view of an integrated dosage cup and resistant cap showing the new design;  
FIG. 2 is a front view showing the new design;  
FIG. 3 is a right side elevational view showing the new design

FIG. 4 is a rear view showing the new design

FIG. 5 is a left view showing the new design;

FIG. 6 is a top view showing the new design;

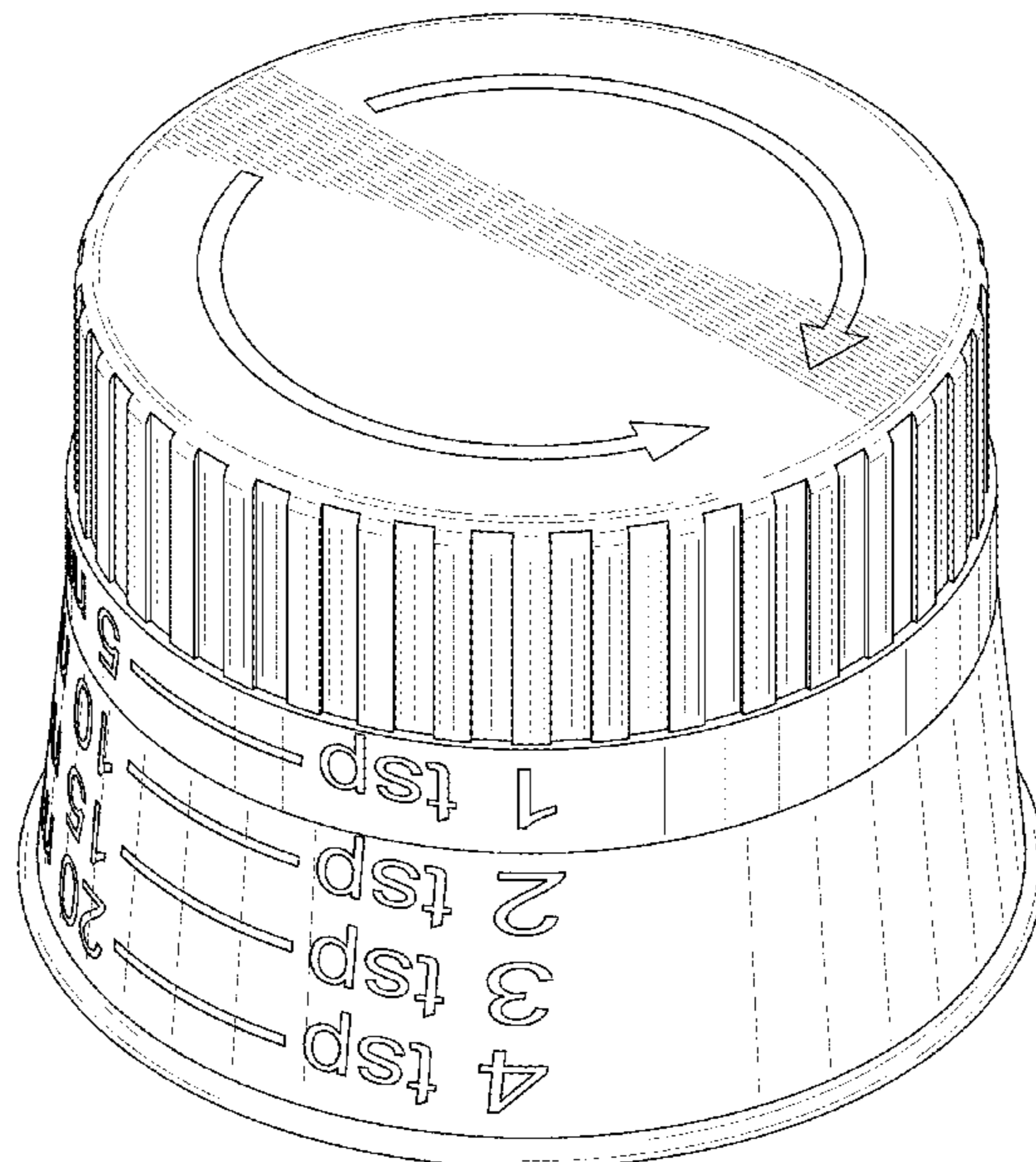
FIG. 7 is a bottom view showing the new design;

FIG. 8 is a cross-sectional view taken in the direction of line 8-8 of FIG. 4 showing the new design; and,

FIG. 9 is an isometric view of bottom, left, front sides showing the new design.

In the drawings, the broken lines showing portions of an integrated dosage cup and child resistant cap depict environment and form no part of the claim.

**1 Claim, 9 Drawing Sheets**



(56)

**References Cited**

U.S. PATENT DOCUMENTS

7,661,384 B2 \* 2/2010 Mataya ..... A61J 7/04  
116/307  
D616,303 S \* 5/2010 Gonzalez ..... D9/436

\* cited by examiner

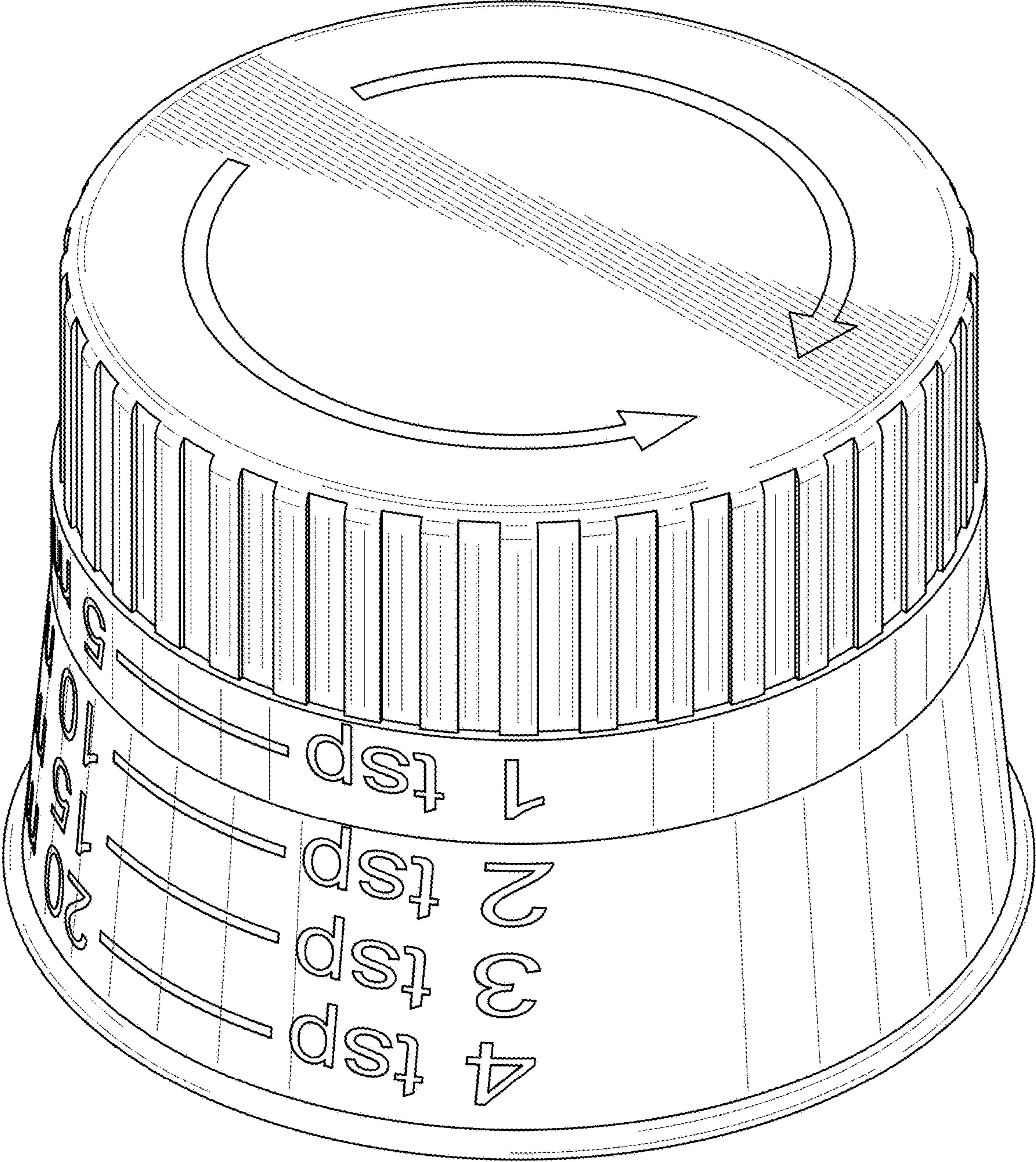


FIG. 1

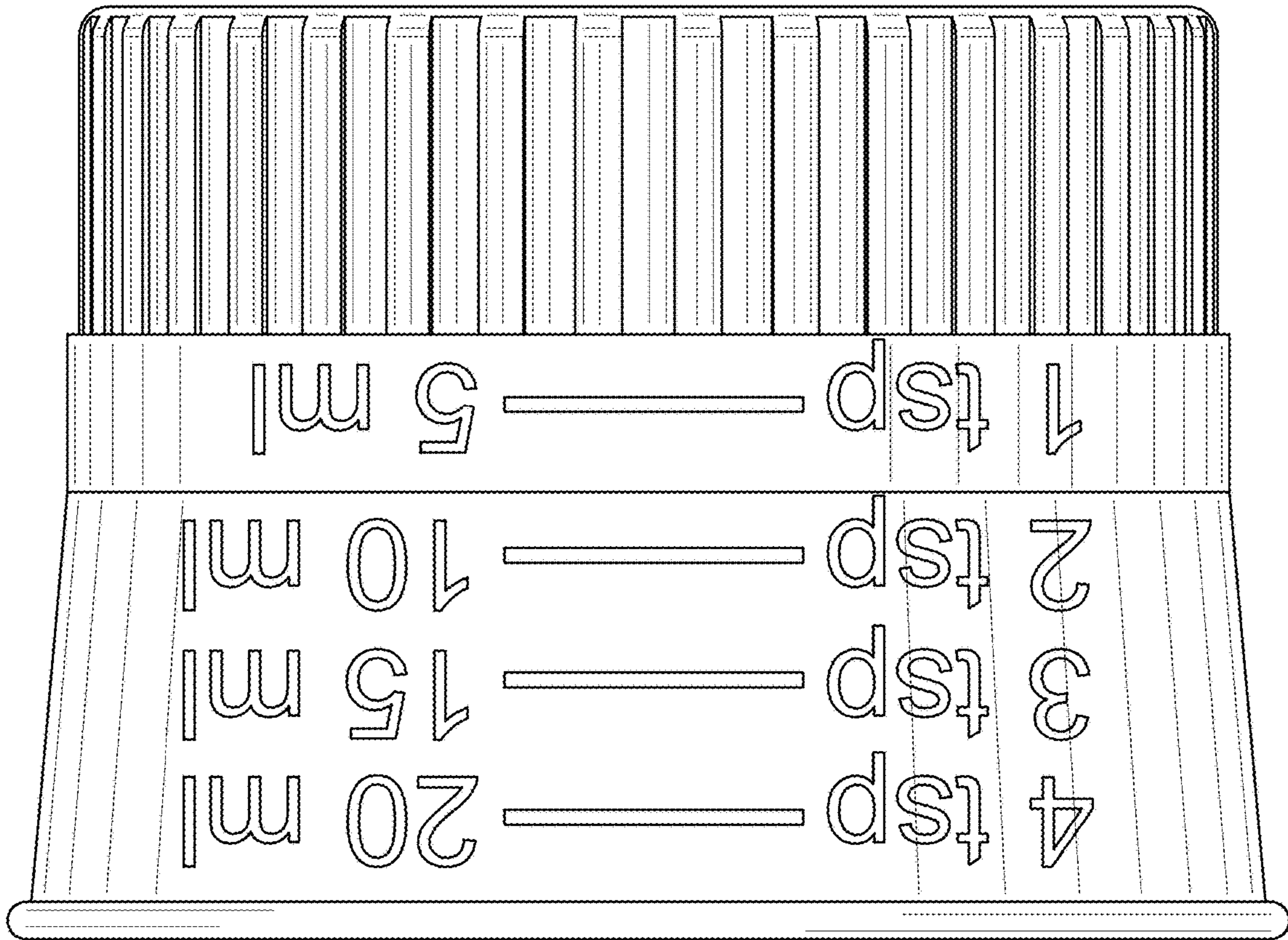


FIG. 2

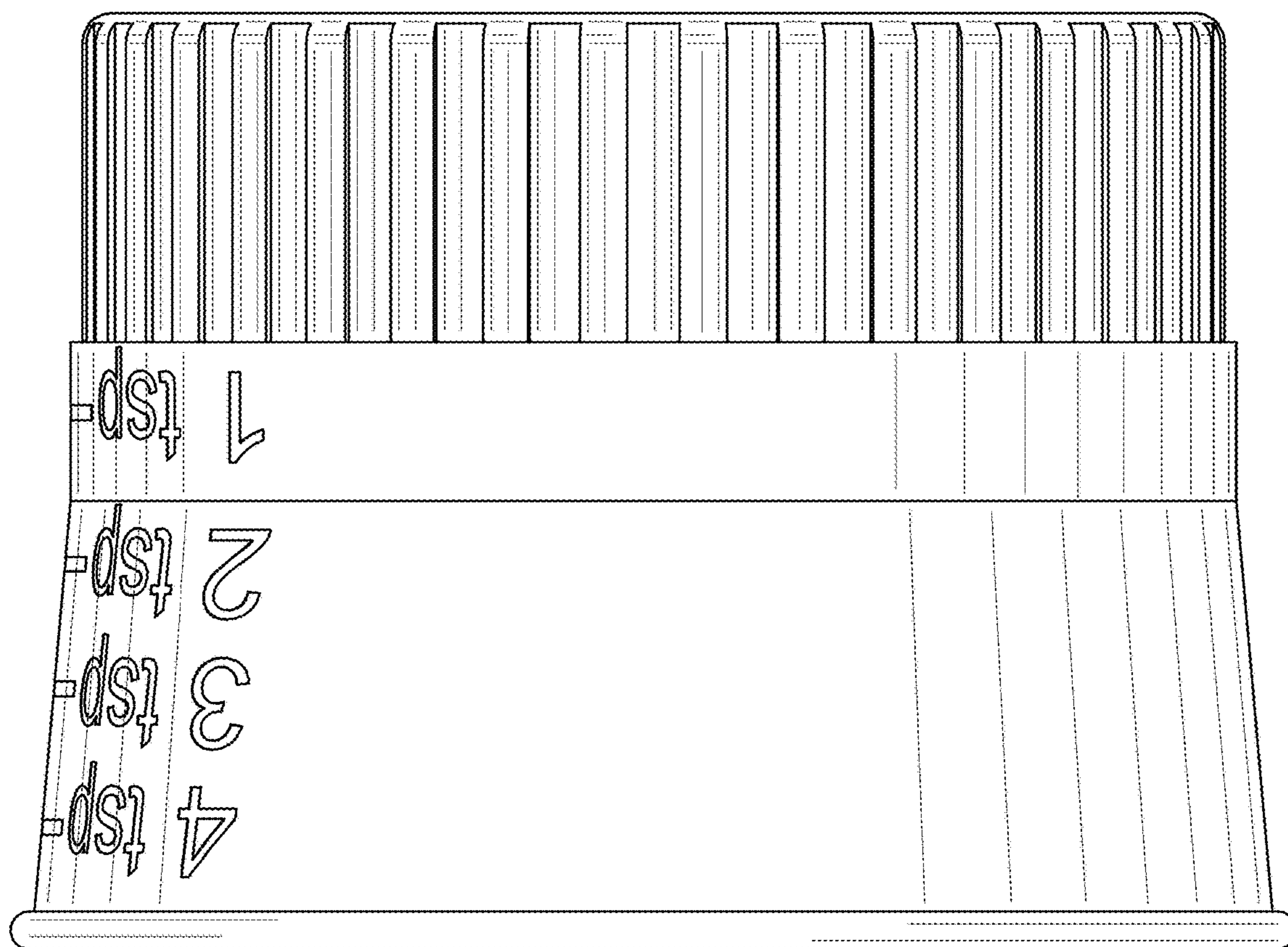


FIG. 3

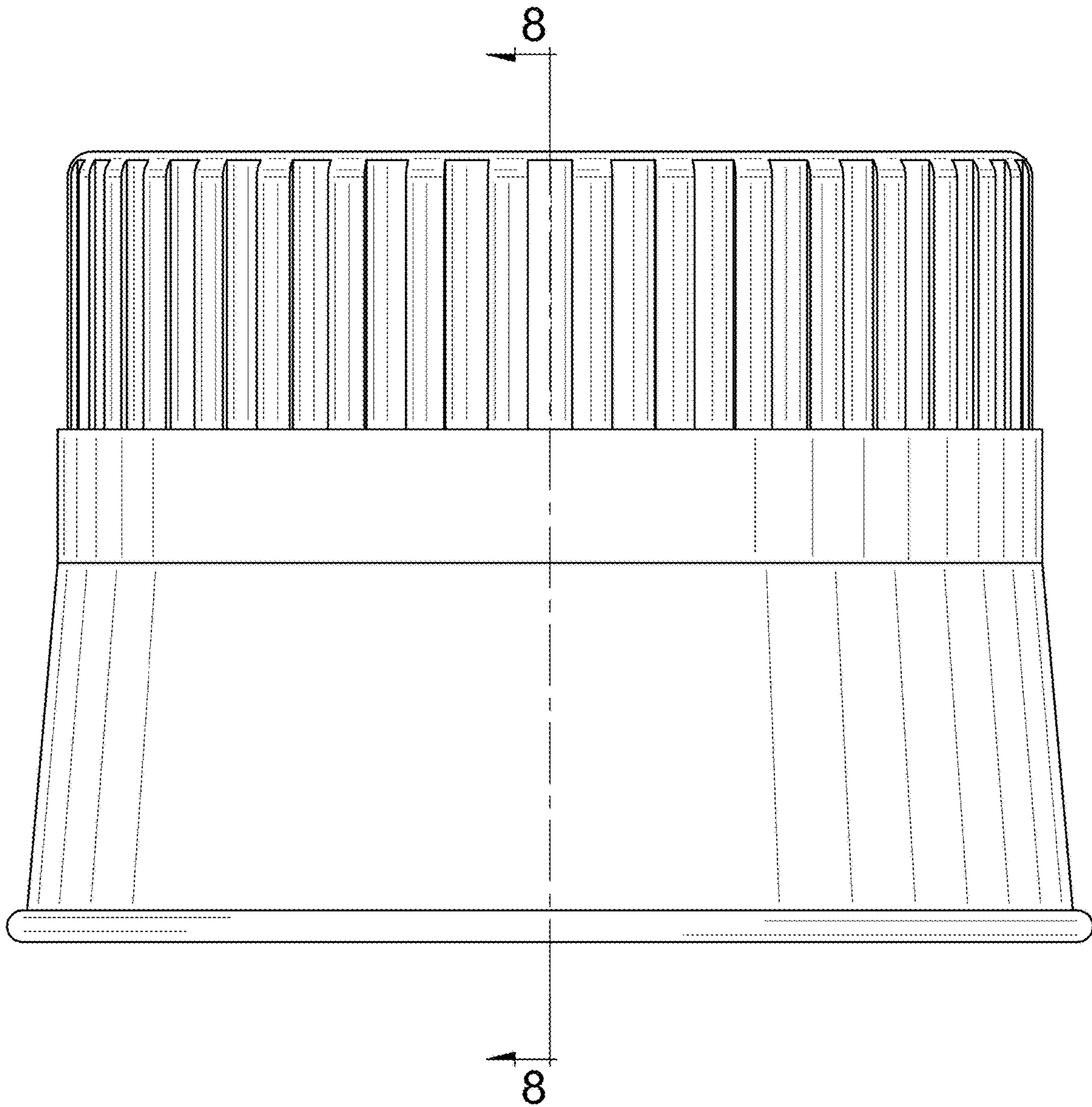


FIG.4

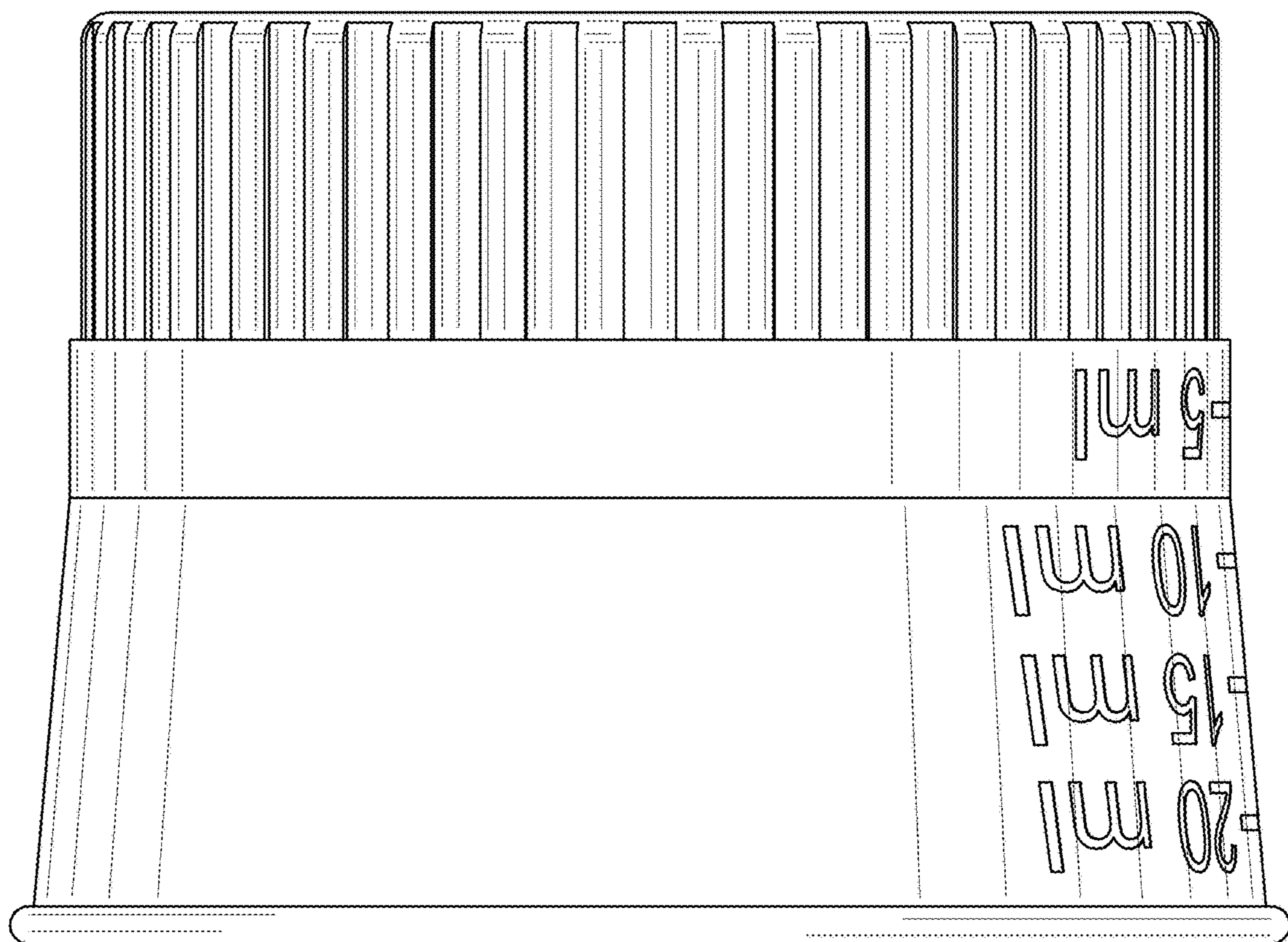


FIG. 5

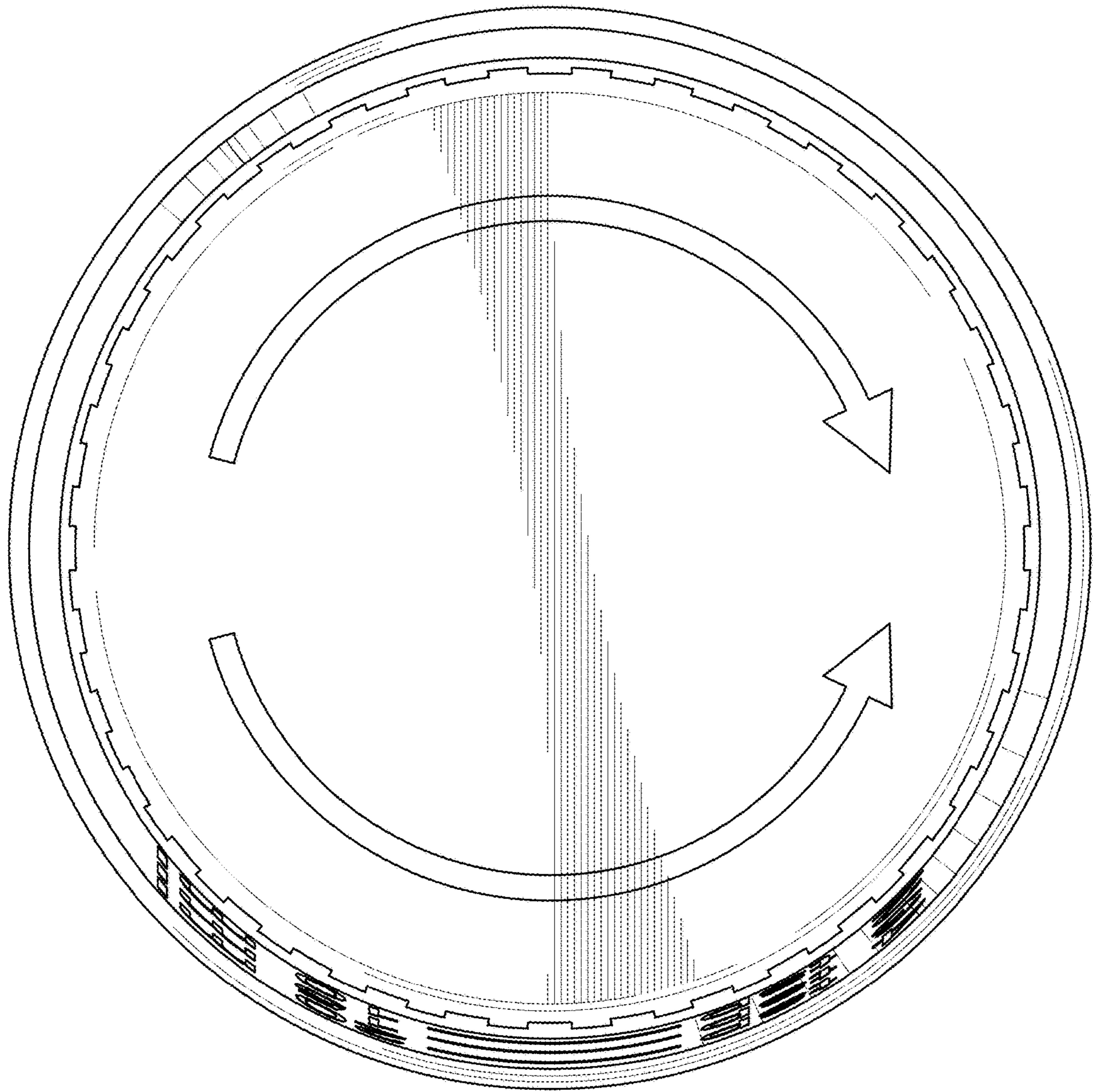


FIG. 6



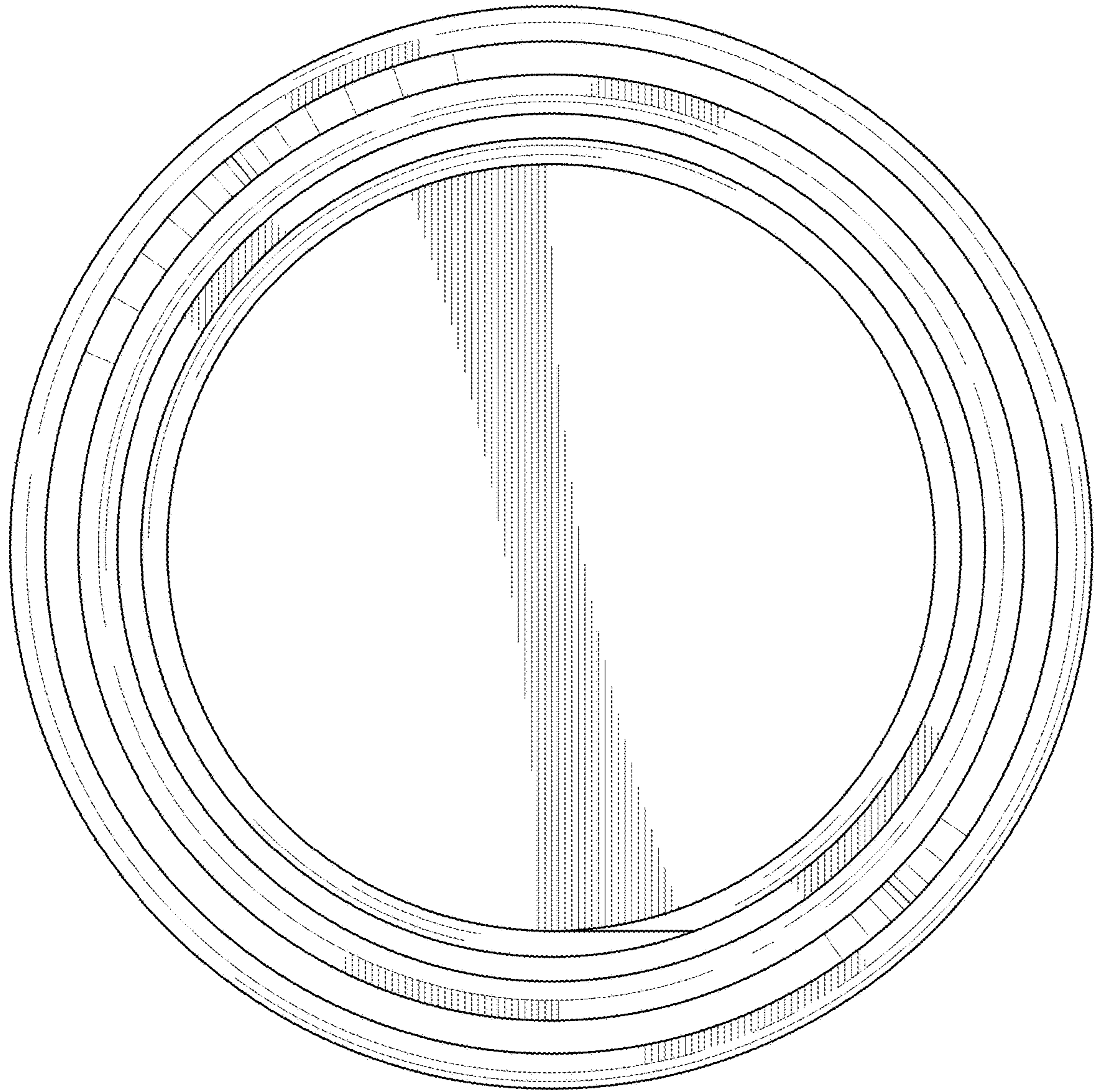


FIG. 7

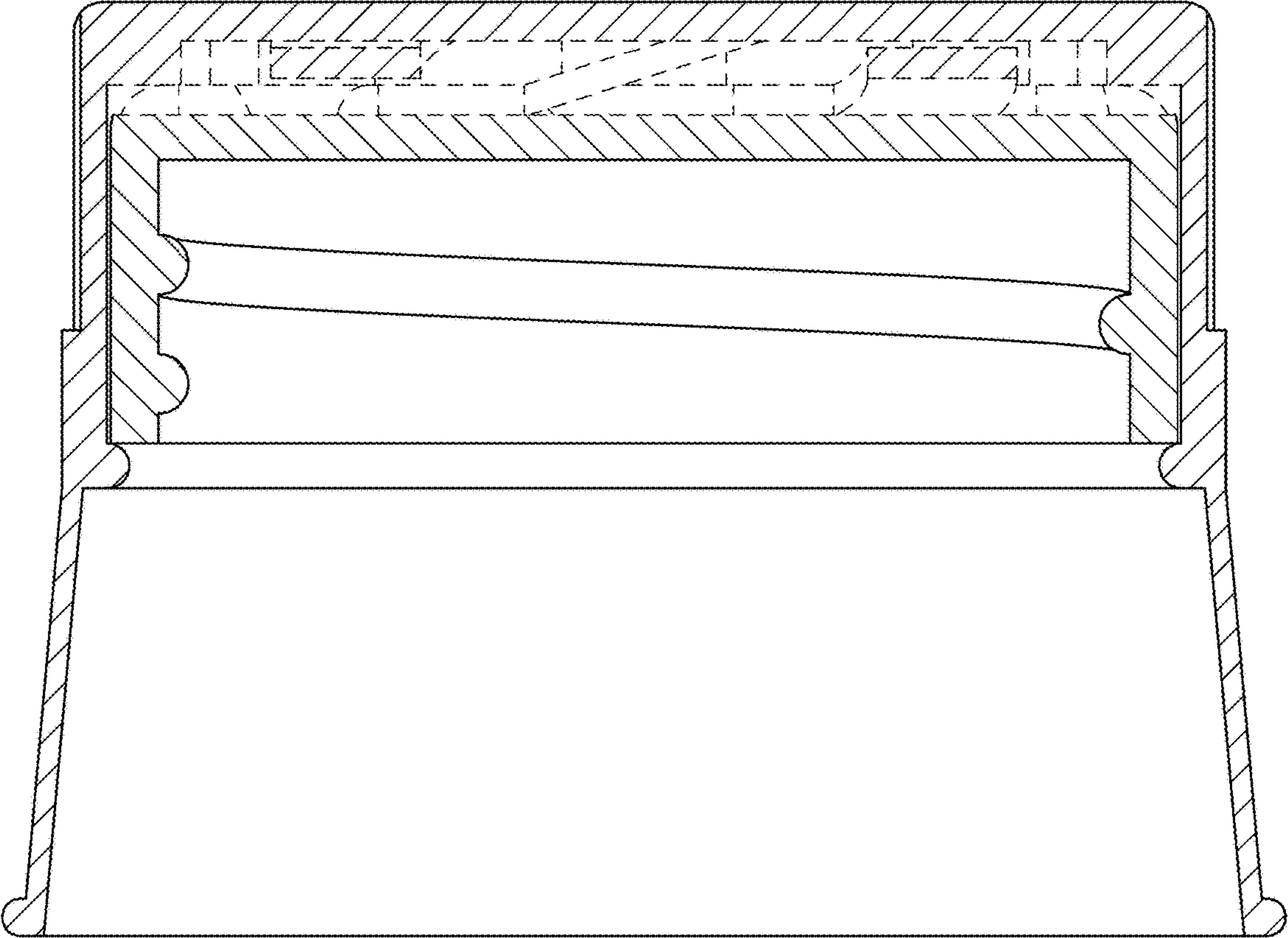


FIG. 8

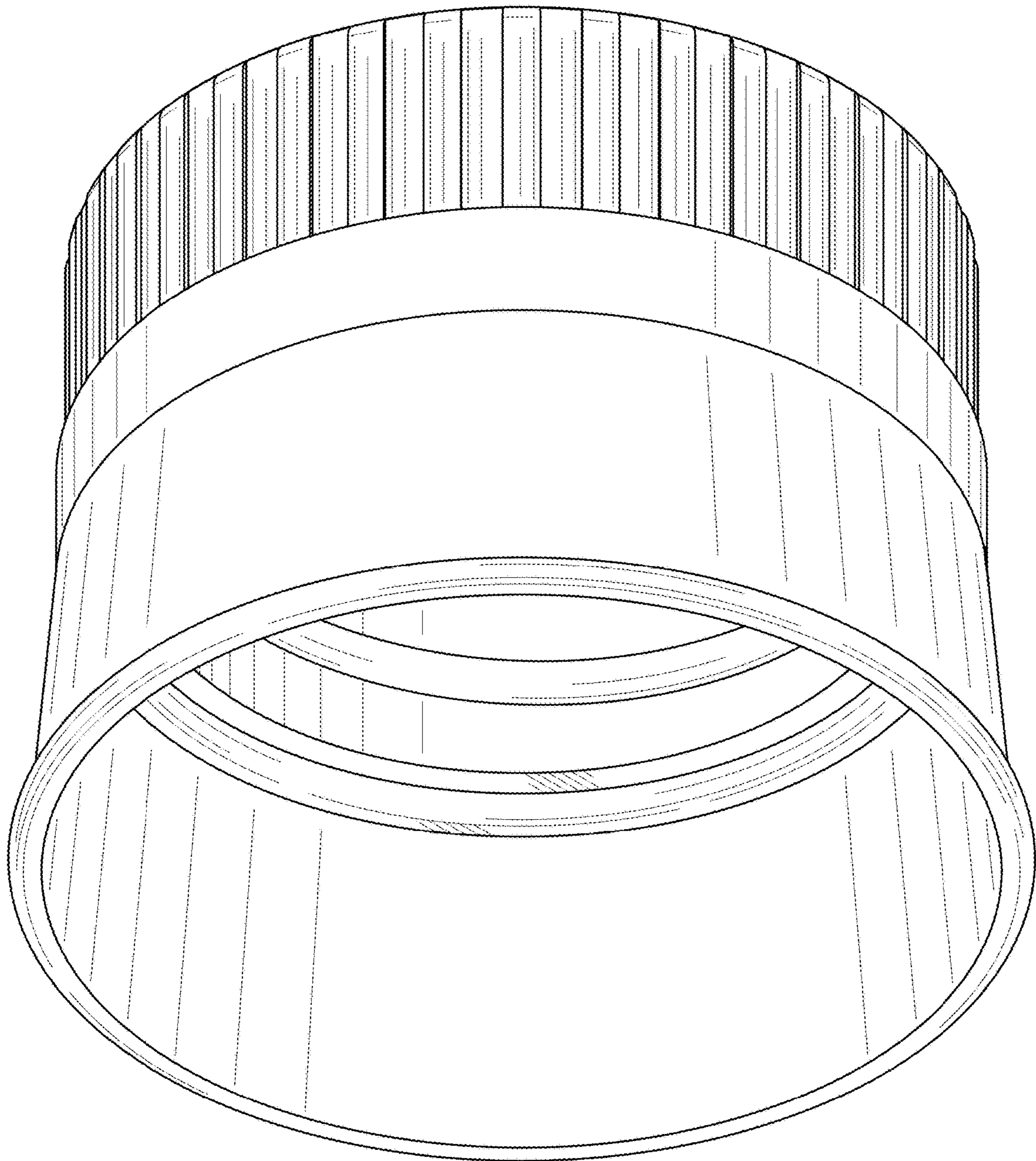


FIG. 9