



US00D781703S

(12) **United States Design Patent** (10) **Patent No.:** **US D781,703 S**
Strachan (45) **Date of Patent:** **** Mar. 21, 2017**

(54) **CUP LID**
(71) Applicant: **First Quality Packaging Solutions, LLC**, Great Neck, NY (US)
(72) Inventor: **Mark Strachan**, Jupiter, FL (US)
(73) Assignee: **First Quality Packaging Solutions, LLC**, Great Neck, NY (US)

D287,208 S * 12/1986 Daenen D7/392.1
D299,010 S 12/1988 Wall
5,511,680 A 4/1996 Kinne
5,624,053 A 4/1997 Freek et al.
D403,583 S 1/1999 Nask et al.
D417,845 S 12/1999 Sadlier et al.
6,168,044 B1 1/2001 Zettle et al.
6,419,112 B1 7/2002 Bruce et al.
D468,206 S * 1/2003 Weiss D9/447
(Continued)

(**) Term: **15 Years**

FOREIGN PATENT DOCUMENTS

(21) Appl. No.: **29/538,295**

WO 2012149131 A1 11/2012

(22) Filed: **Sep. 2, 2015**

Primary Examiner — Thomas Johannes

(51) **LOC (10) Cl.** **09-07**

Assistant Examiner — Catherine Posthauer

(52) **U.S. Cl.**

(74) *Attorney, Agent, or Firm* — Amster, Rothstein & Ebenstein, LLP

USPC **D9/435**; D9/447; D7/392.1; D7/900

(58) **Field of Classification Search**

USPC D3/202; D7/300, 316, 317, 391, 392.1, D7/396.1, 396.2, 397, 398, 509, 510, 511, D7/531, 538, 541, 549, 553.2, 601, 602, D7/605, 619, 629, 703, 900; D9/434, D9/435, 436, 438, 440, 447, 448, 449, D9/450, 453, 454, 502, 503, 504, 529, D9/763, 767, 772, 779, 780, 903, 906, D9/907; D24/121, 127, 199, 224; 54/492; 220/212, 254.1, 256.1, 270, 271, 220/272, 273, 276, 366.1, 367.1, 906; 206/216, 219, 541, 222, 221, 220; 215/200, 228, 305, 306; 222/81, 83, 519, 222/153.01, 158, 192, 205, 530, 533, 556
CPC B65D 51/16; B65D 50/041; B65D 23/00; B65D 1/00; B65D 1/02; B65D 1/0223; B65D 2501/00; B65D 2501/0009; B65D 83/06; B65D 43/00; B65D 43/02

See application file for complete search history.

(57) **CLAIM**

The ornamental design for a cup lid, as shown and described.

DESCRIPTION

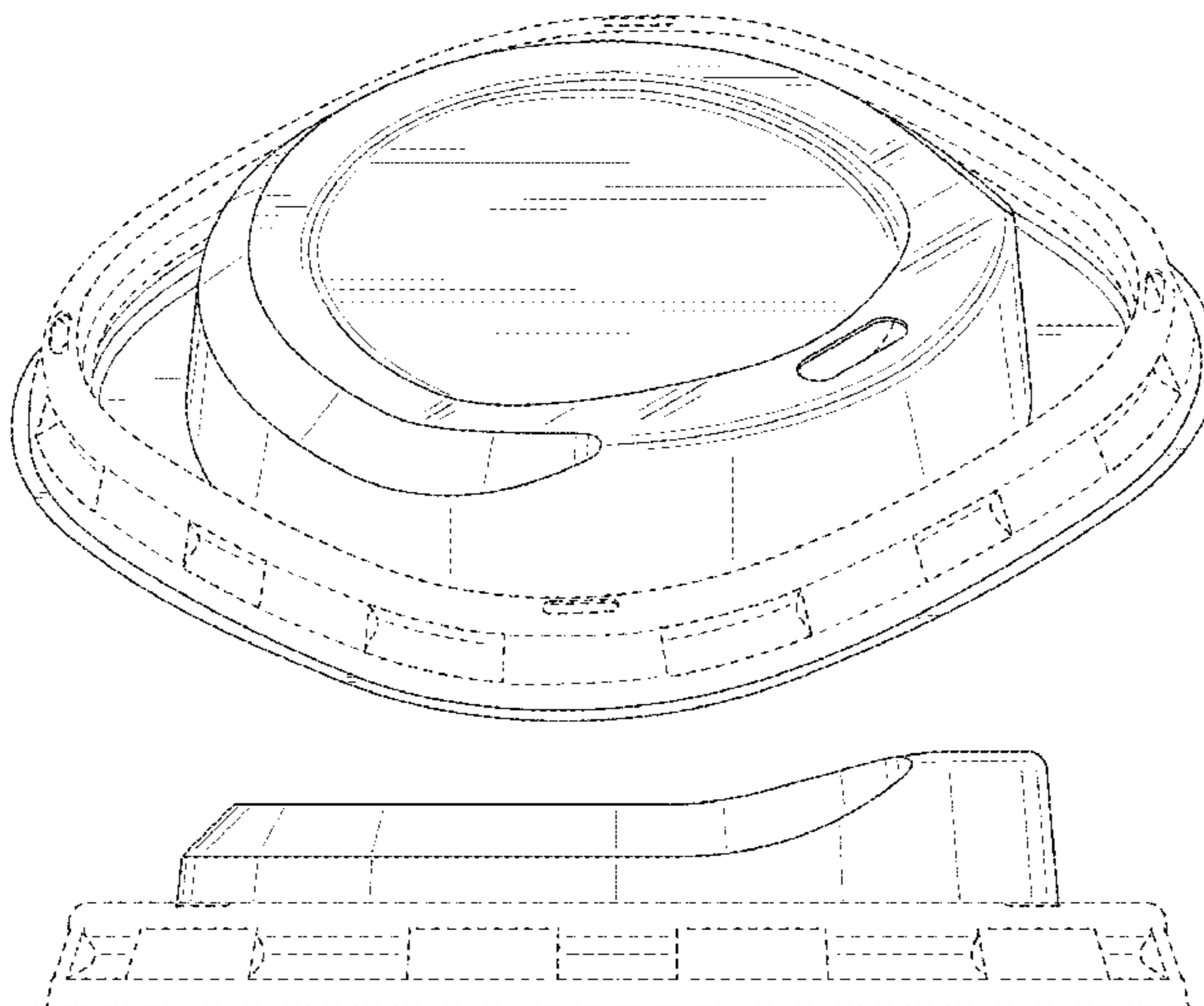
FIG. 1 is a perspective view of a new design for a cup lid; FIG. 2 is a top plan view thereof; FIG. 3 is a bottom plan view thereof; FIG. 4 is a front view thereof; FIG. 5 is a back view thereof; FIG. 6 is a left side view thereof; FIG. 7 is a right side view thereof; and, FIG. 8 is a perspective view thereof with the cup lid shown in a condition of use with a cup, forming no part of the claim. The broken lines are shown for the purpose of illustrating environmental subject matter and parts of the cup lid that form no part of the claim.

(56) **References Cited**

U.S. PATENT DOCUMENTS

3,349,950 A 10/1967 Wanderer
4,474,305 A 10/1984 Marco

1 Claim, 8 Drawing Sheets



US D781,703 S

(56)

References Cited

U.S. PATENT DOCUMENTS

6,959,829	B2	11/2005	Crider et al.	
7,055,715	B2	6/2006	Maravich et al.	
7,063,231	B2	6/2006	Stanos et al.	
D532,294	S *	11/2006	Fager	D9/435
D543,777	S *	6/2007	Seum	D7/392.1
7,225,945	B2	6/2007	Crider et al.	
7,484,639	B2	2/2009	Maravich et al.	
D591,151	S *	4/2009	Freeman	D9/447
D592,056	S *	5/2009	Tedford, Jr.	D9/447
D631,348	S	1/2011	Weiss et al.	
D632,174	S *	2/2011	Charbonnet	D9/447
7,891,514	B1	2/2011	Walsh et al.	
D634,188	S *	3/2011	Sellari	D9/424
7,963,419	B2	6/2011	Burney et al.	
D649,878	S *	12/2011	Weiss	D9/447
8,074,831	B2	12/2011	Walker et al.	
8,091,732	B2	1/2012	Bryson et al.	
D655,158	S	3/2012	Drozek et al.	
8,157,123	B2	4/2012	Tucker et al.	
D660,696	S	5/2012	Weiss	
8,267,278	B2	9/2012	Tucker et al.	
8,286,826	B2	10/2012	Connors, Jr. et al.	
D675,524	S *	2/2013	Bickert	D7/392.1
D680,866	S	4/2013	Golota et al.	
8,459,486	B2	6/2013	Luburic et al.	
8,479,948	B2	7/2013	Weiss et al.	
D688,091	S	8/2013	Golota et al.	
8,540,112	B2	9/2013	Connors, Jr. et al.	
D696,941	S *	1/2014	Kim	D9/447
D696,942	S *	1/2014	Kim	D9/447
D700,799	S *	3/2014	Ludeman	D7/391
D703,044	S	4/2014	Chou	

D737,139	S *	8/2015	Sokoly	D9/435
D751,336	S *	3/2016	Cetti	D7/391
D754,535	S *	4/2016	Kim	D9/435
2003/0024930	A1 *	2/2003	Smith	B65D 47/141 220/254.1
2004/0222226	A1	11/2004	Gottainer et al.	
2005/0224503	A1	10/2005	Dantani	
2006/0071008	A1	4/2006	Sadlier	
2007/0119743	A1	5/2007	Tucker et al.	
2008/0035652	A1 *	2/2008	Lusareta	B65D 47/06 220/713
2008/0041850	A1	2/2008	Tucker et al.	
2010/0084401	A1	4/2010	Golota et al.	
2011/0180560	A1	7/2011	Hung	
2012/0138608	A1	6/2012	Rusnak et al.	
2012/0272622	A1 *	11/2012	Weiss	B65D 43/0212 53/476
2013/0037558	A1	2/2013	Selina et al.	
2013/0175269	A1	7/2013	Chen	
2013/0175284	A1	7/2013	Chen	
2013/0186898	A1	7/2013	Luburic et al.	
2013/0233898	A1	9/2013	Resnikoff et al.	
2013/0306666	A1	11/2013	Weiss	
2014/0001193	A1	1/2014	Connors, Jr. et al.	
2015/0076151	A1	3/2015	Knipe	
2015/0175325	A1 *	6/2015	Martin	B65D 50/046 215/217
2015/0191282	A1 *	7/2015	Crudgington	B29D 99/0096 220/254.7
2015/0251818	A1 *	9/2015	Strachan	B65D 43/0208 220/254.8
2016/0007780	A1 *	1/2016	Dolan	B65D 43/0202 220/324

* cited by examiner

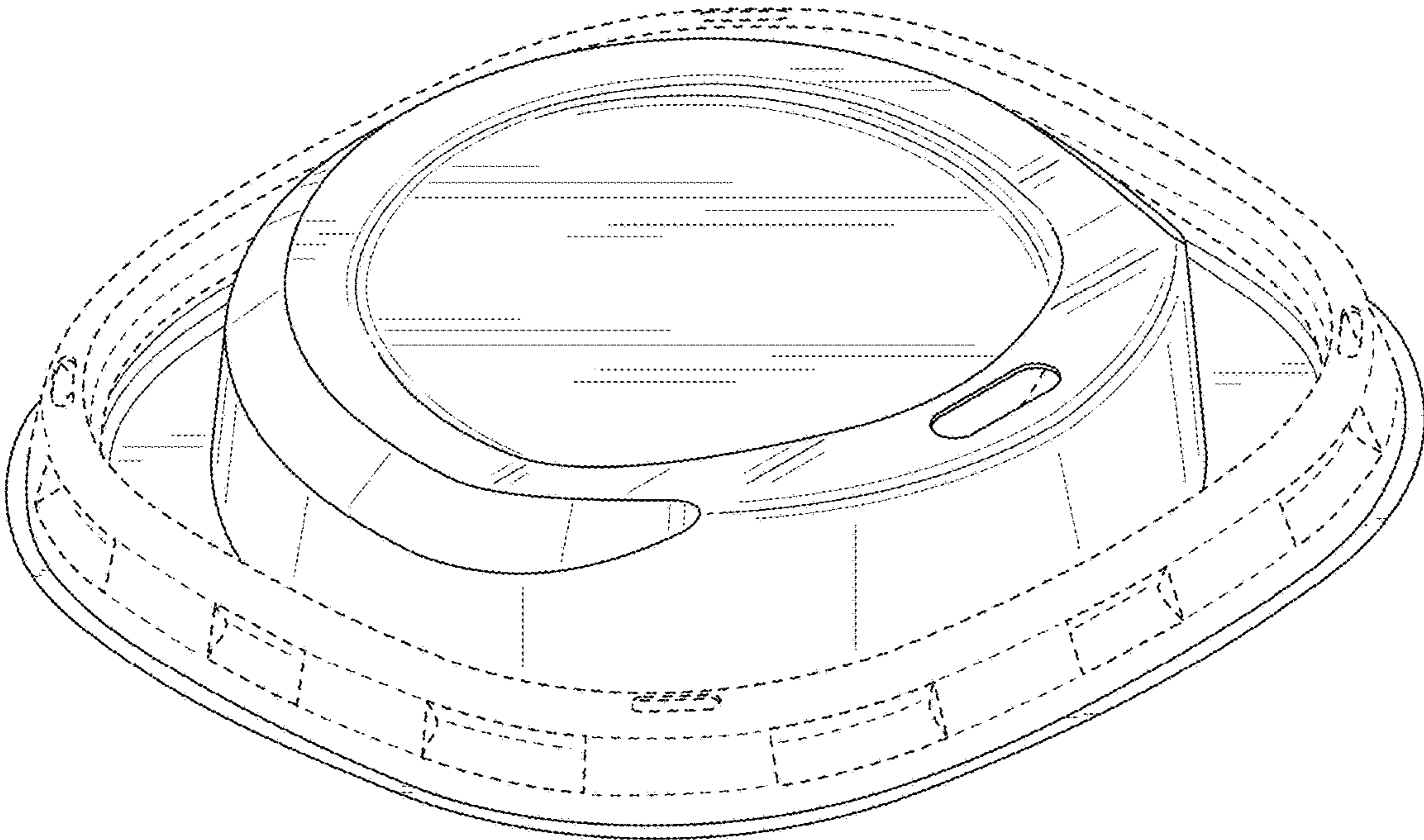


FIG. 1

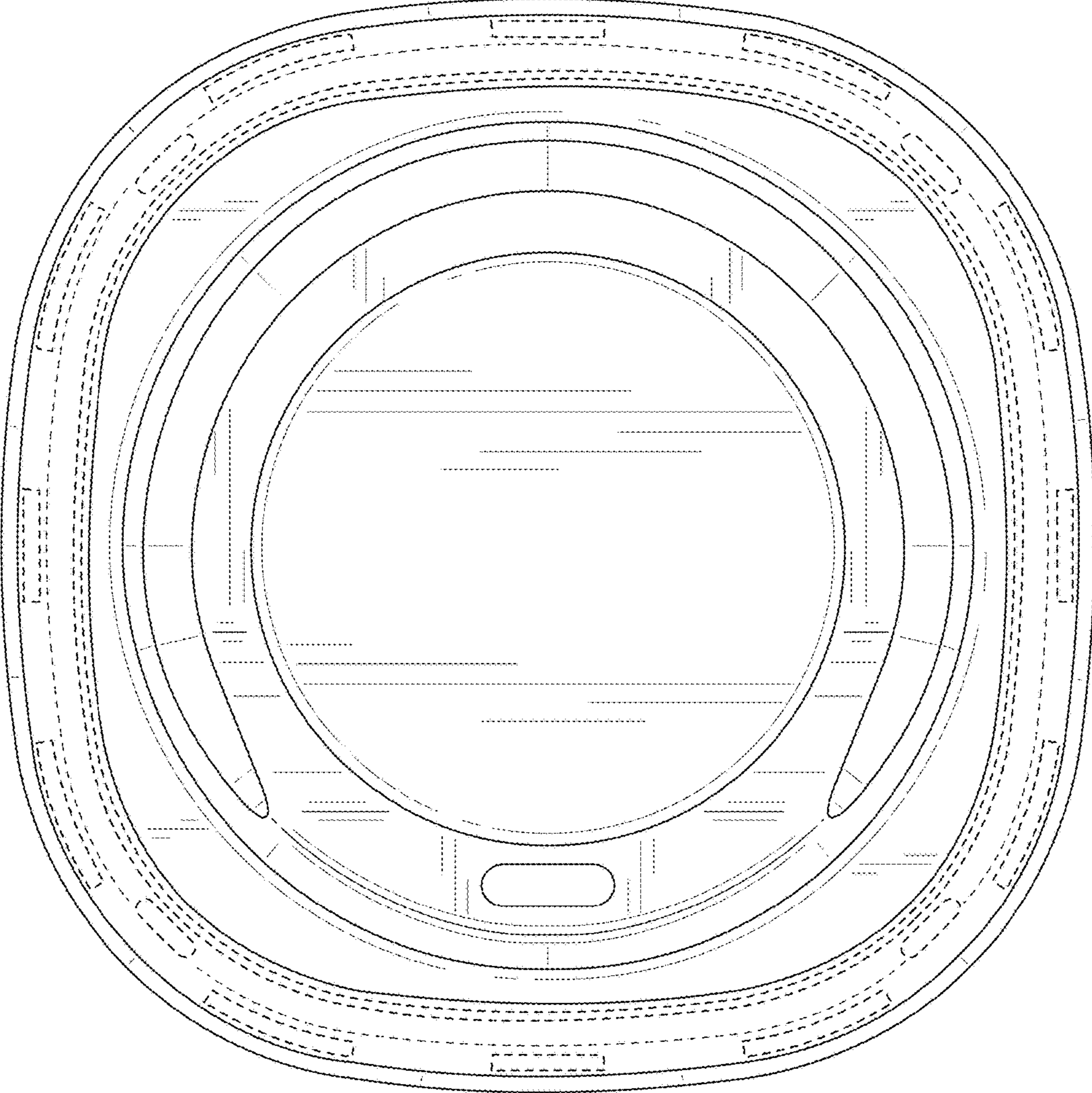


FIG. 2

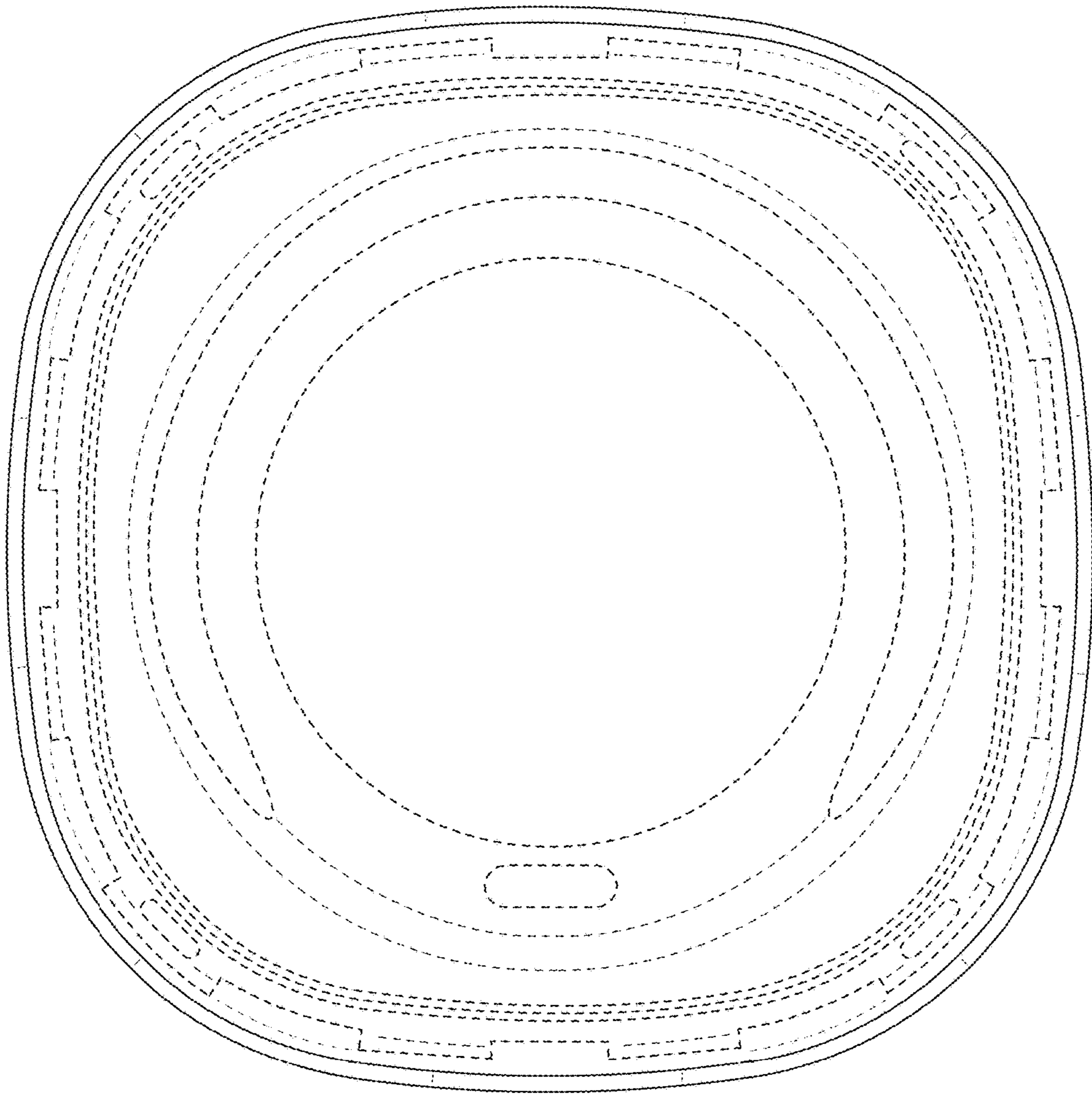


FIG. 3

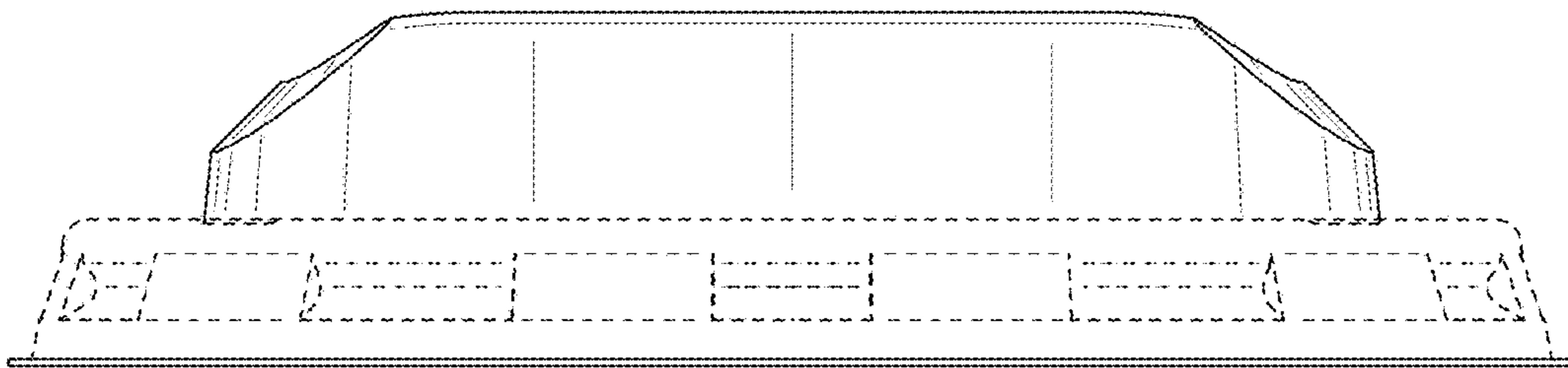


FIG. 4

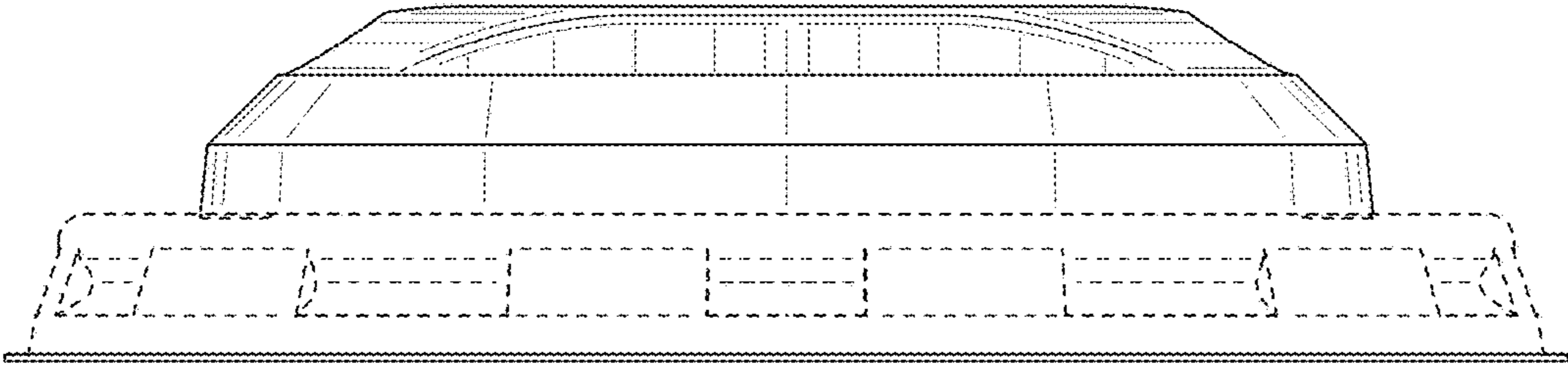


FIG. 5

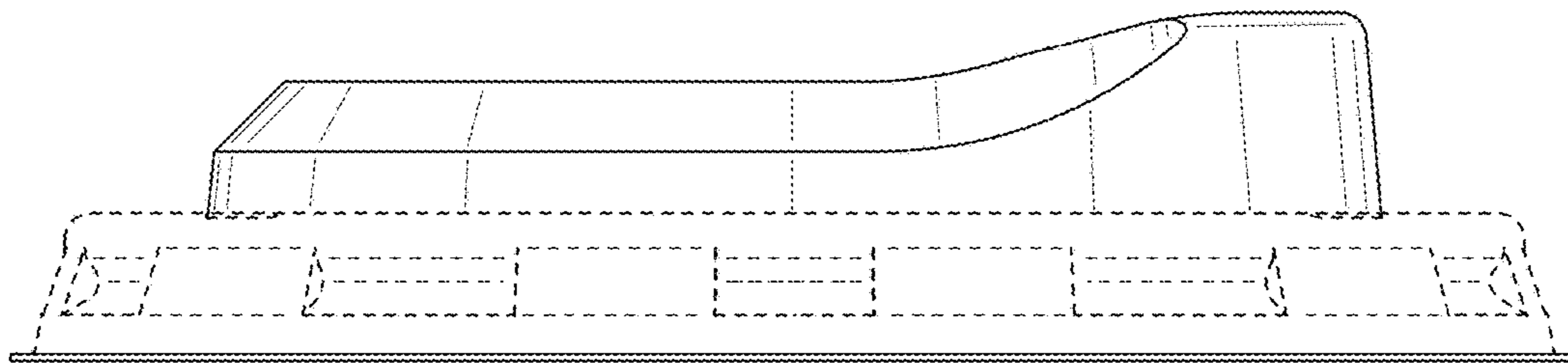


FIG. 6

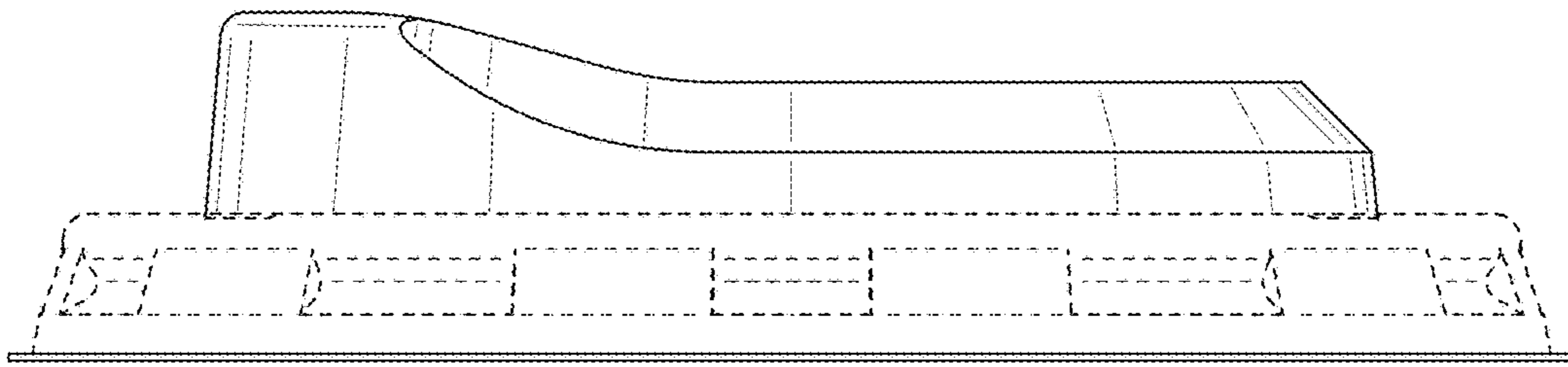


FIG. 7

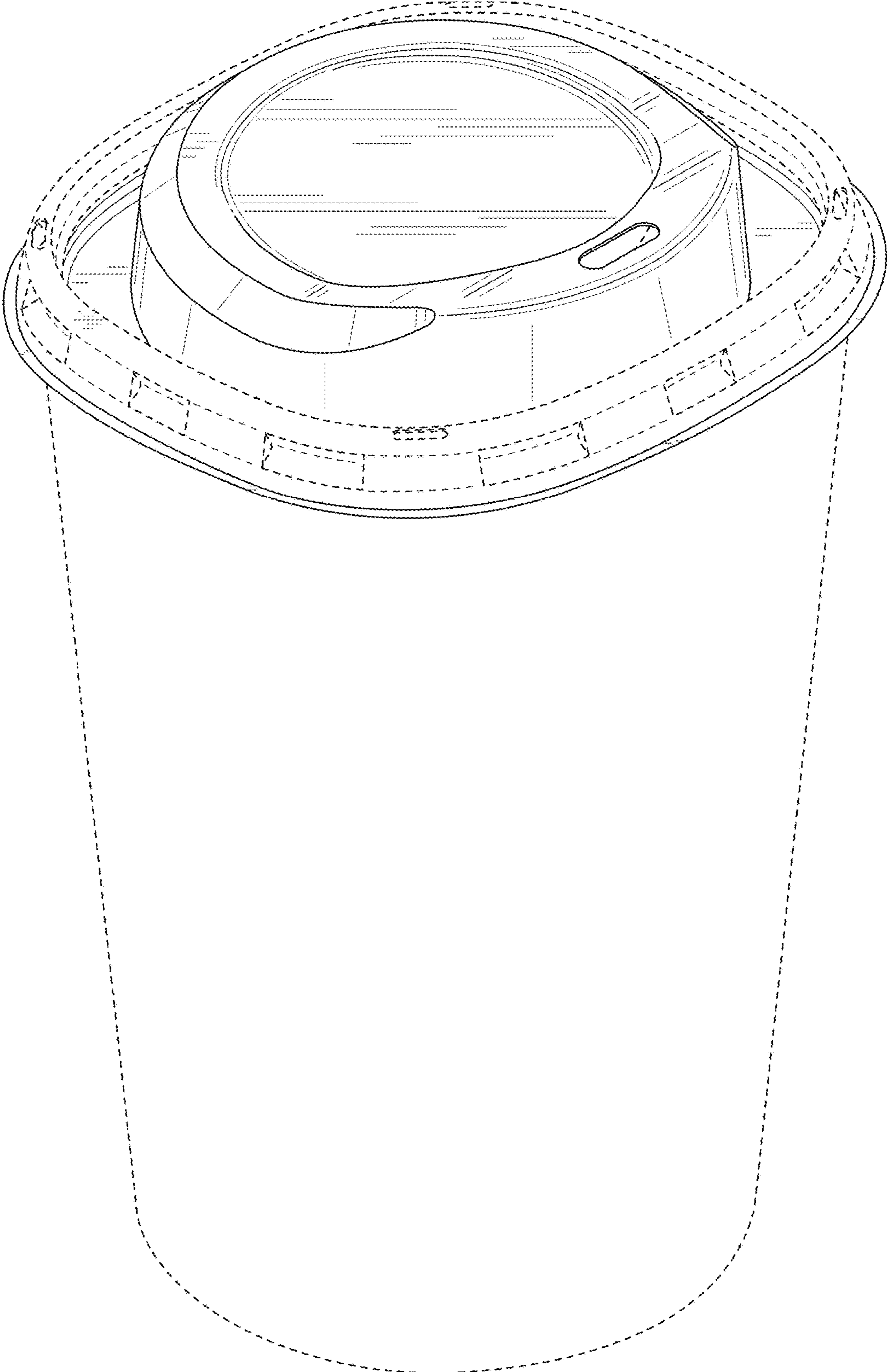


FIG. 8