



US00D781700S

(12) **United States Design Patent**
Middleton et al.

(10) **Patent No.:** **US D781,700 S**
(45) **Date of Patent:** **** Mar. 21, 2017**

(54) **RECEPTACLE**

(71) Applicant: **ABBOTT LABORATORIES**, Abbott Park, IL (US)
(72) Inventors: **Jason Middleton**, Dublin, OH (US);
Spencer Beaufore, Dublin, OH (US);
Jeremy McBroom, Columbus, OH (US)
(73) Assignee: **Abbott Laboratories**, Abbott Park, OH (US)
(**) Term: **14 Years**

(21) Appl. No.: **29/507,752**
(22) Filed: **Oct. 30, 2014**
(51) **LOC (10) Cl.** **09-03**
(52) **U.S. Cl.**
USPC **D9/424**
(58) **Field of Classification Search**
USPC D9/414, 424-432, 721, 456; D3/272,
D3/304-309, 315; D7/601-603, 612,
D7/619.1, 629

(Continued)

(56) **References Cited**

U.S. PATENT DOCUMENTS

2,780,259 A * 2/1957 Nalle, Jr. 220/780
D285,906 S * 9/1986 Tyler D9/425
(Continued)

FOREIGN PATENT DOCUMENTS

EP 2030908 3/2009
WO 2010141841 12/2010

OTHER PUBLICATIONS

Zojirushi America Corporation Ms. Bento® Stainless Lunch Jar SL-NCE09 Instruction Manual (4 pages).
(Continued)

Primary Examiner — Vy Koenig
(74) *Attorney, Agent, or Firm* — Calfee, Halter & Griswold LLP

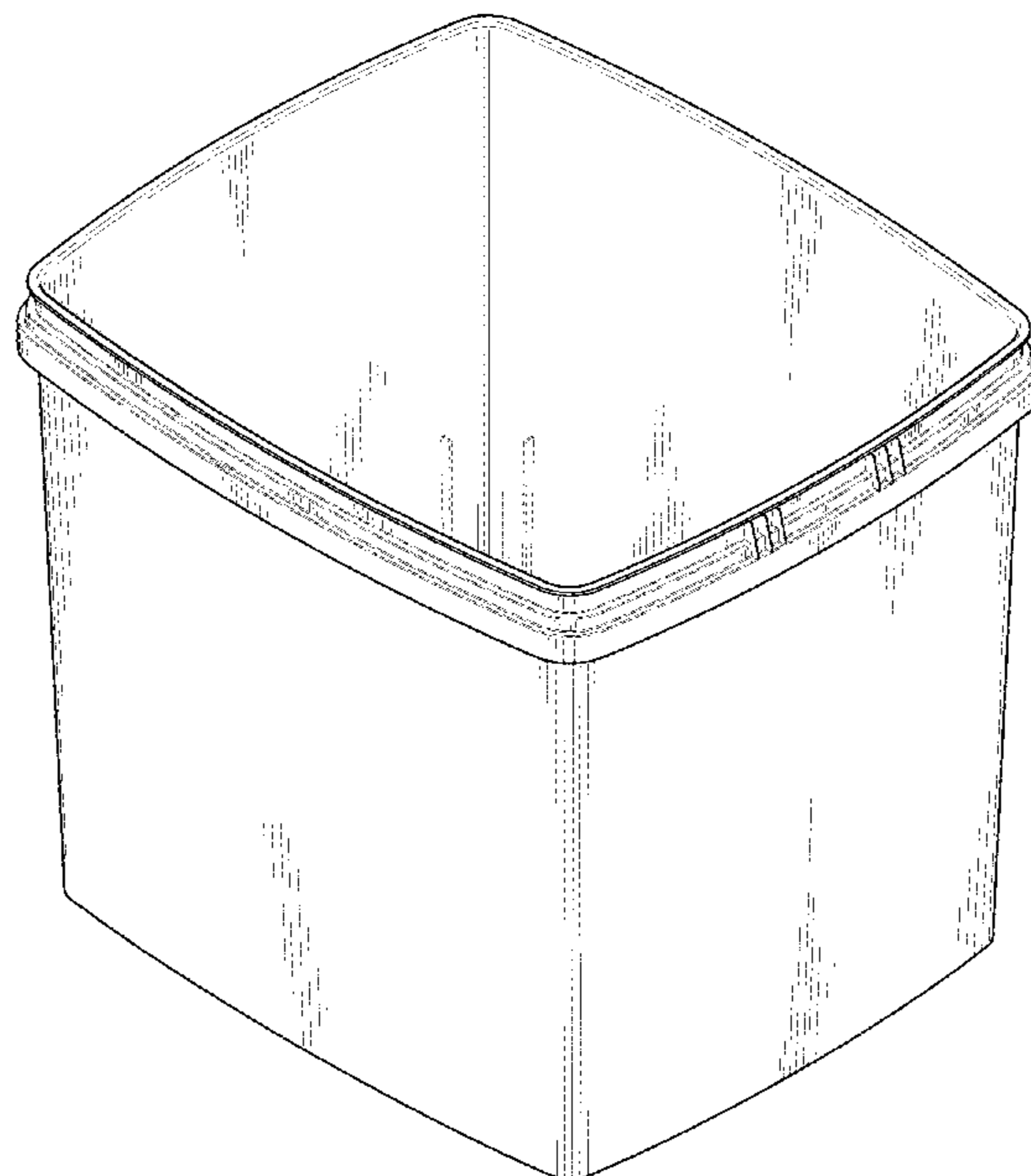
(57) **CLAIM**

We claim the ornamental design for a receptacle, as shown and described.

DESCRIPTION

FIG. 1 is a front perspective view of a receptacle, with an exemplary lid, showing the new design;
FIG. 2 is a front perspective view of the receptacle of FIG. 1,
FIG. 3 is a top perspective view of the receptacle of FIG. 2,
FIG. 4 is a bottom perspective of the receptacle of FIG. 2,
FIG. 5 is an enlarged view of the designated circular area of FIG. 4;
FIG. 6 is a left side view of the receptacle of FIG. 2, the right side view being essentially a mirror image thereof;
FIG. 7 is a front view of the receptacle of FIG. 2, the rear view being essentially a mirror image thereof;
FIG. 8 is an enlarged view of the designated circular area of FIG. 7;
FIG. 9 is a top view of the receptacle of FIG. 2; and,
FIG. 10 is a bottom view of the receptacle of FIG. 2.
The broken lines in the drawings depict environmental subject matter and form no part of the claimed design.

1 Claim, 8 Drawing Sheets



US D781,700 S

Page 2

(58) **Field of Classification Search**

CPC B65D 5/00–5/02; B65D 5/029; B65D
5/0209–5/0272; B65D 5/40; B65D 5/72;
B65D 5/727

See application file for complete search history.

(56)

References Cited

U.S. PATENT DOCUMENTS

D336,017 S * 6/1993 Smith D7/629
D416,797 S * 11/1999 Rabe D9/431
D418,055 S * 12/1999 Veto D9/425
D473,789 S * 4/2003 Crawford D9/430
D540,039 S * 4/2007 van Beuningen D3/304
D547,177 S * 7/2007 Sherman D9/425
D553,980 S * 10/2007 VerWeyst D9/432
D595,128 S * 6/2009 Bouveret D7/545
D630,900 S * 1/2011 Samartgis D7/602
D669,778 S * 10/2012 Houlton D9/425
8,511,499 B2 8/2013 Perry et al.

D697,762 S * 1/2014 Carlson D7/602
D702,509 S * 4/2014 Segal D7/629
2006/0076352 A1* 4/2006 Peterson B65D 43/0212
220/254.3
2008/0041861 A1 2/2008 Crawford et al.
2010/0308065 A1 12/2010 Vandamme et al.
2011/0192847 A1 8/2011 Vandamme et al.
2011/0315686 A1 12/2011 Siddiqui et al.
2012/0000925 A1 1/2012 Dols et al.
2012/0061413 A1 3/2012 Dols et al.
2014/0097183 A1 4/2014 McGrath et al.

OTHER PUBLICATIONS

Notice of Allowance from from U.S. Appl. No. 29/507,750 dated
Jul. 15, 2016.

Notice of Allowance from U.S. Appl. No. 29/507,751 dated Jul. 14,
2016.

Office Action from U.S. Appl. No. 29/522,201 dated May 18, 2016.

* cited by examiner

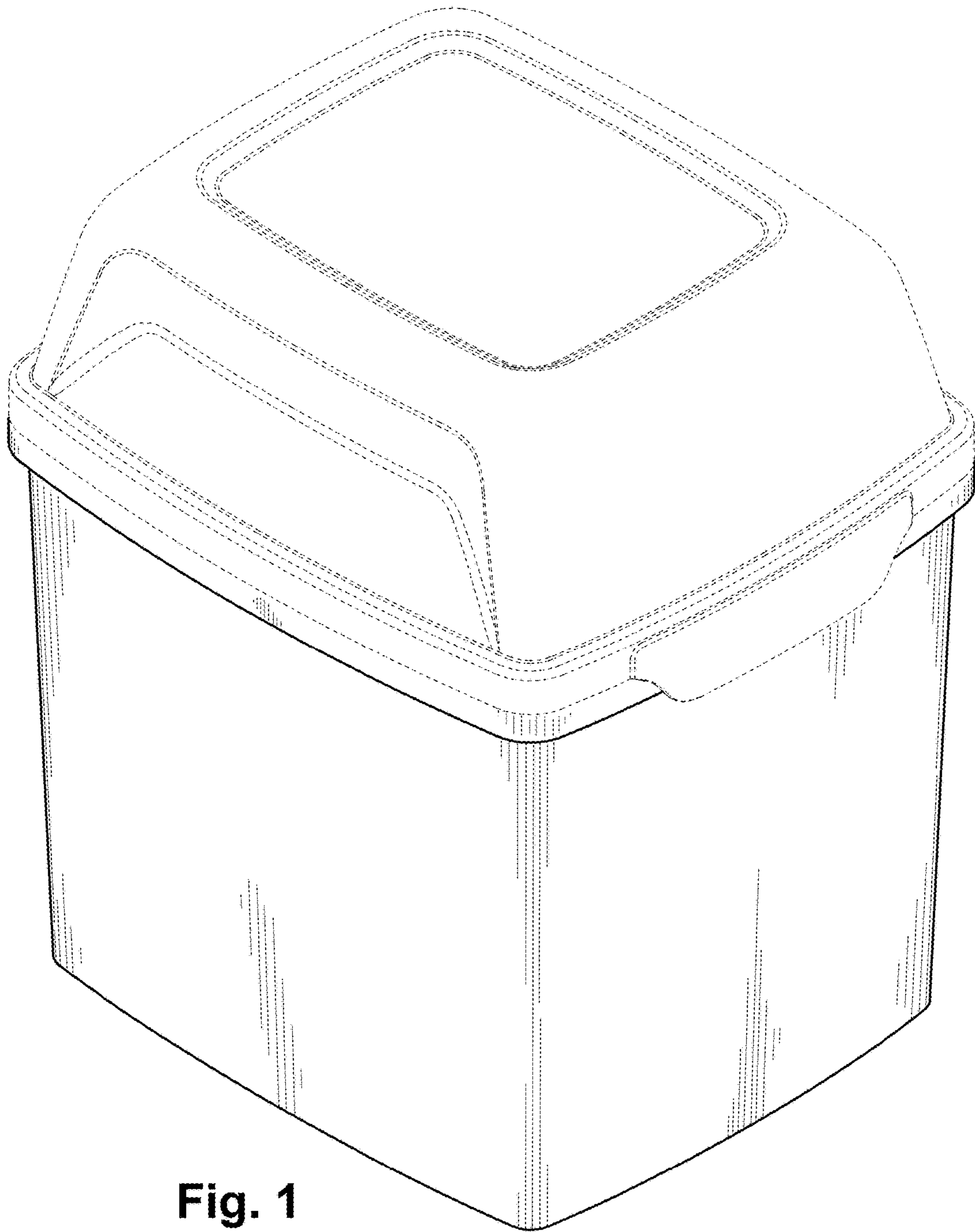


Fig. 1

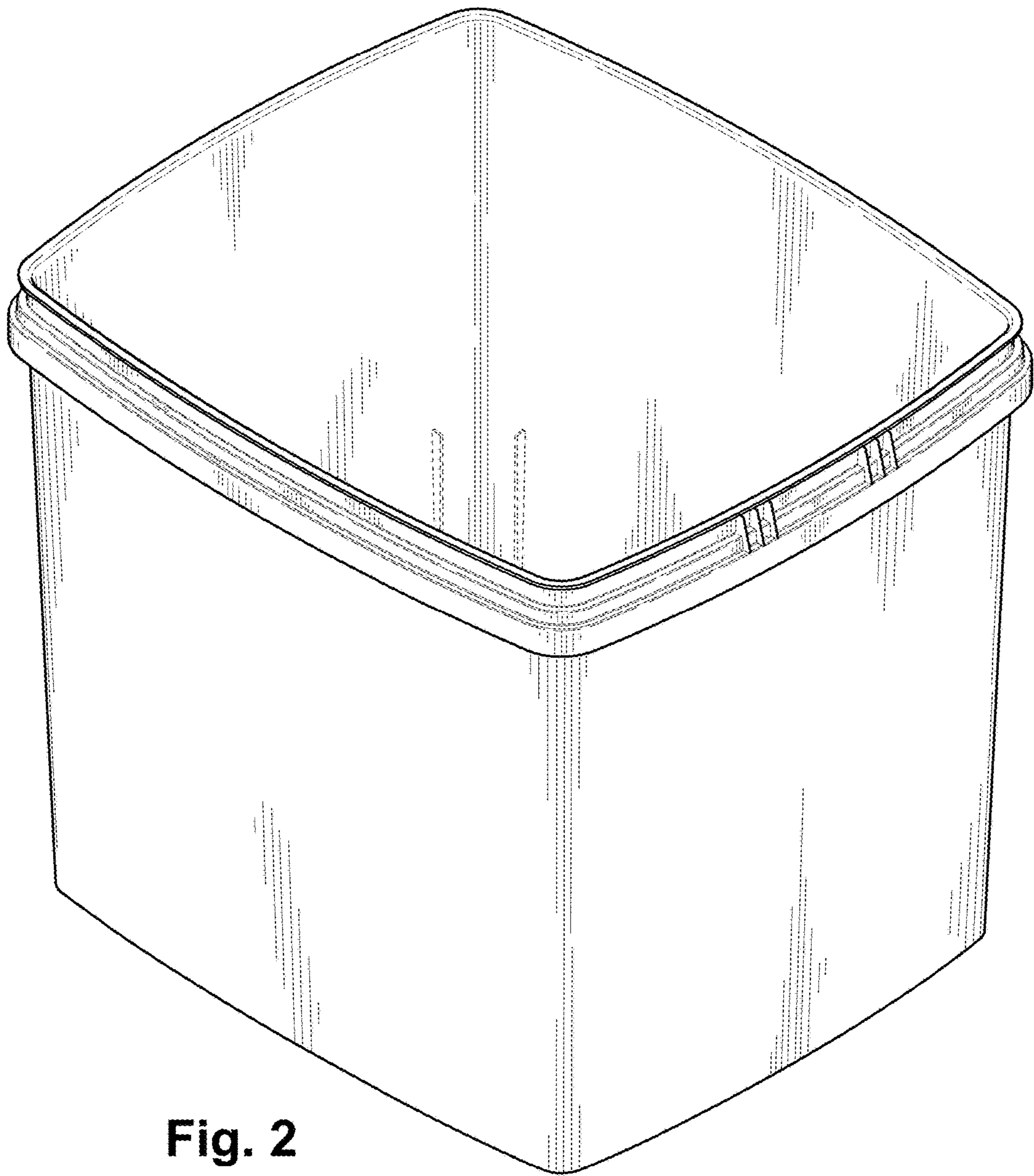


Fig. 2

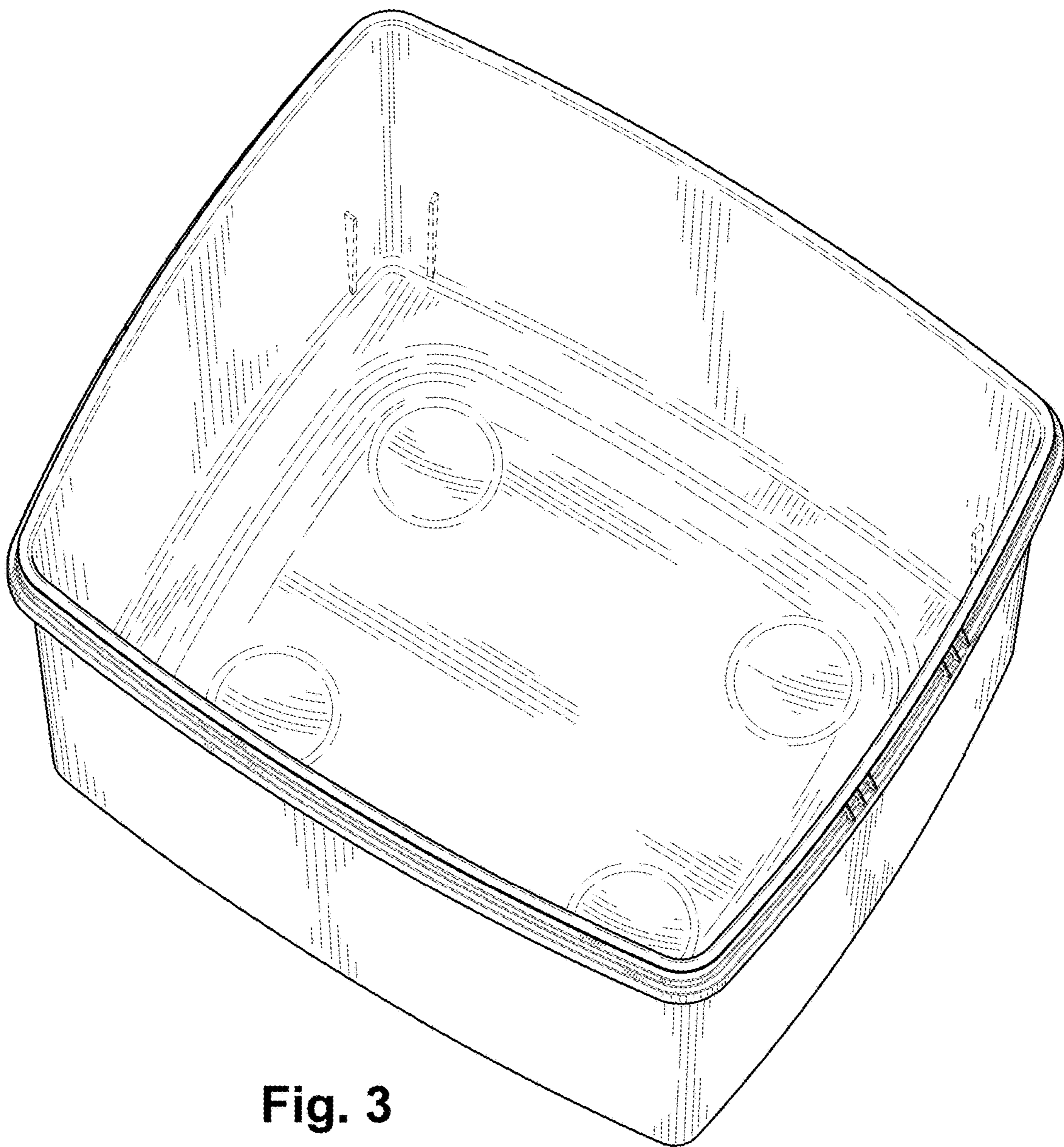


Fig. 3

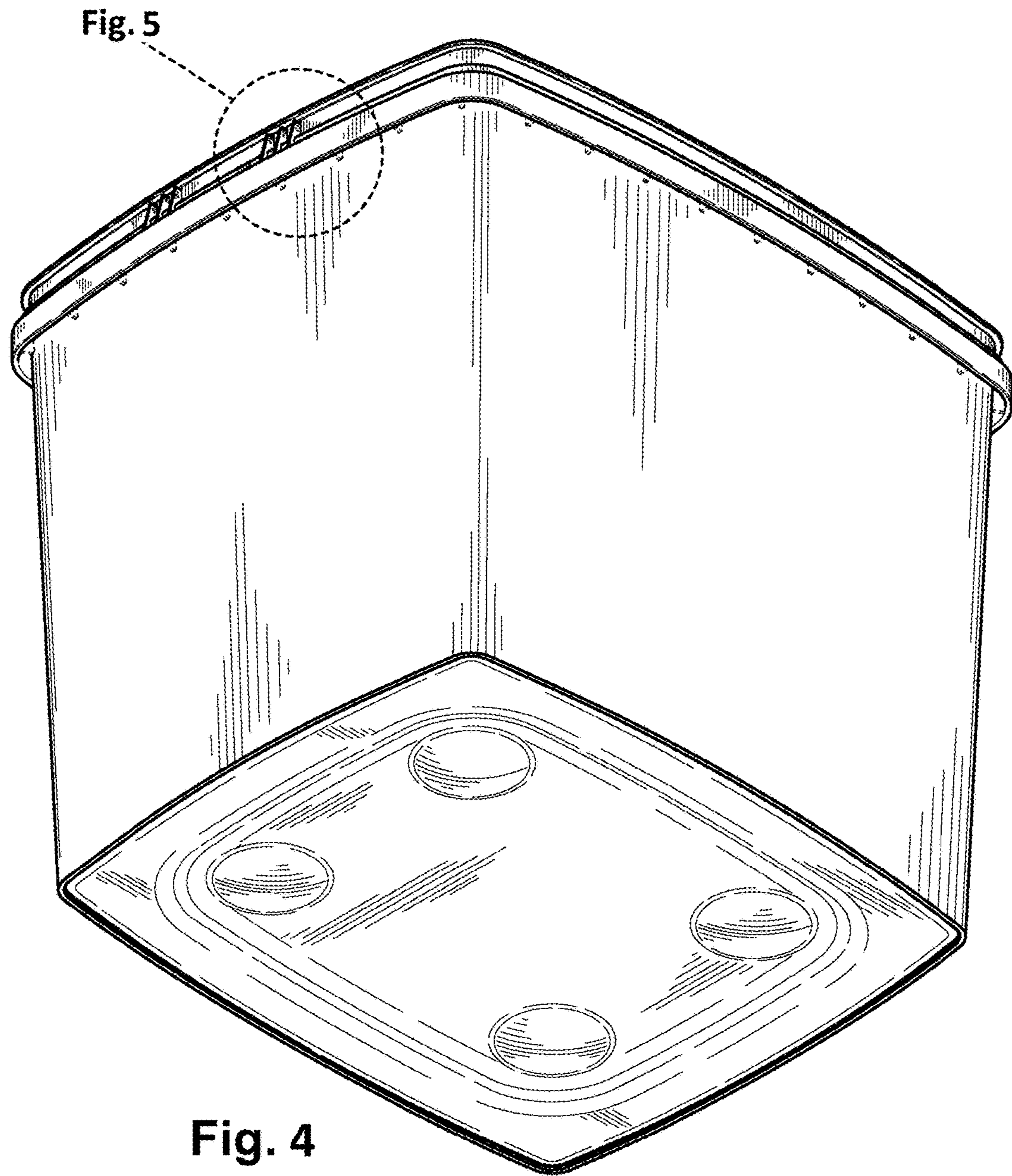


Fig. 5

Fig. 4

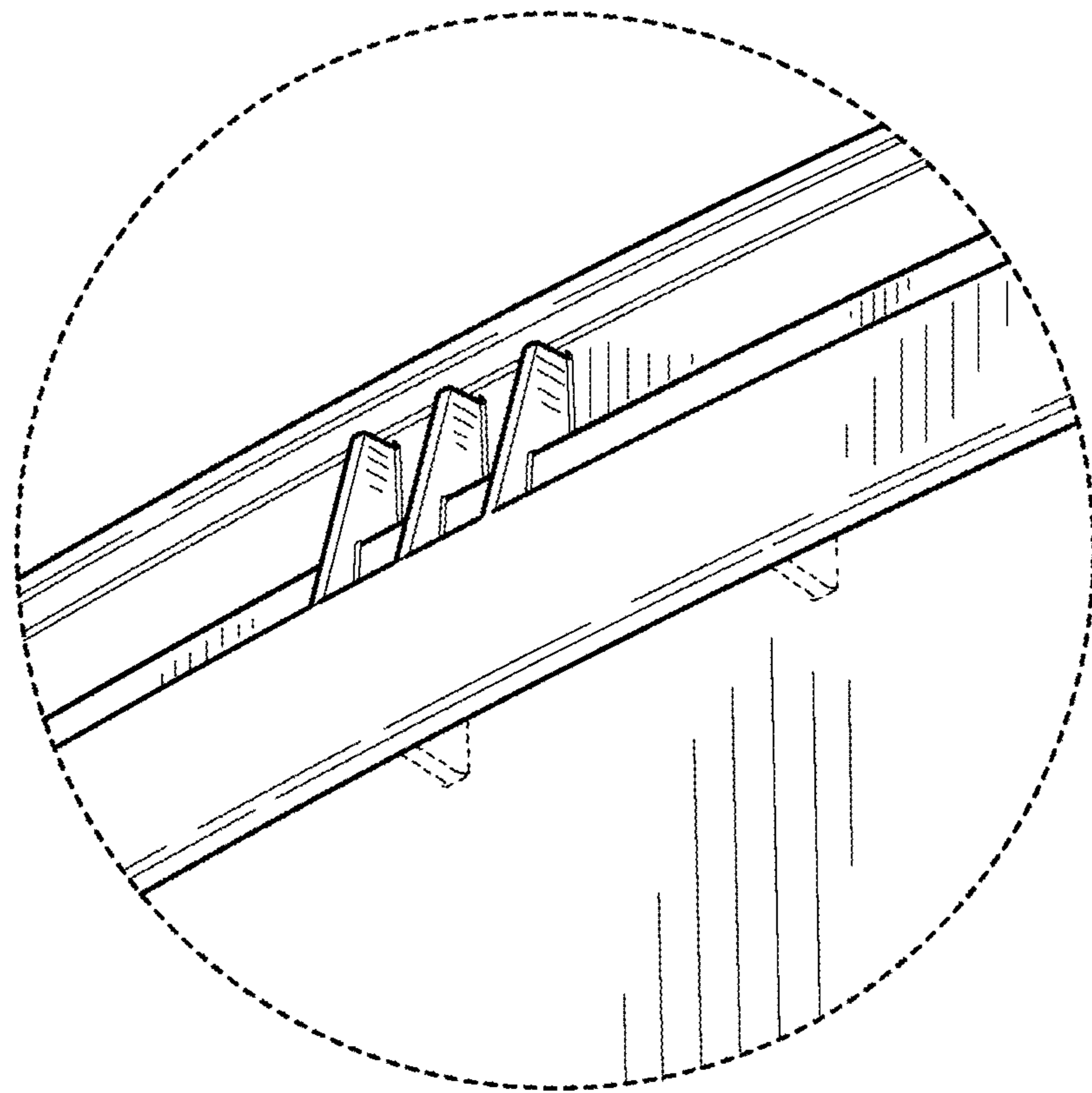


Fig. 5

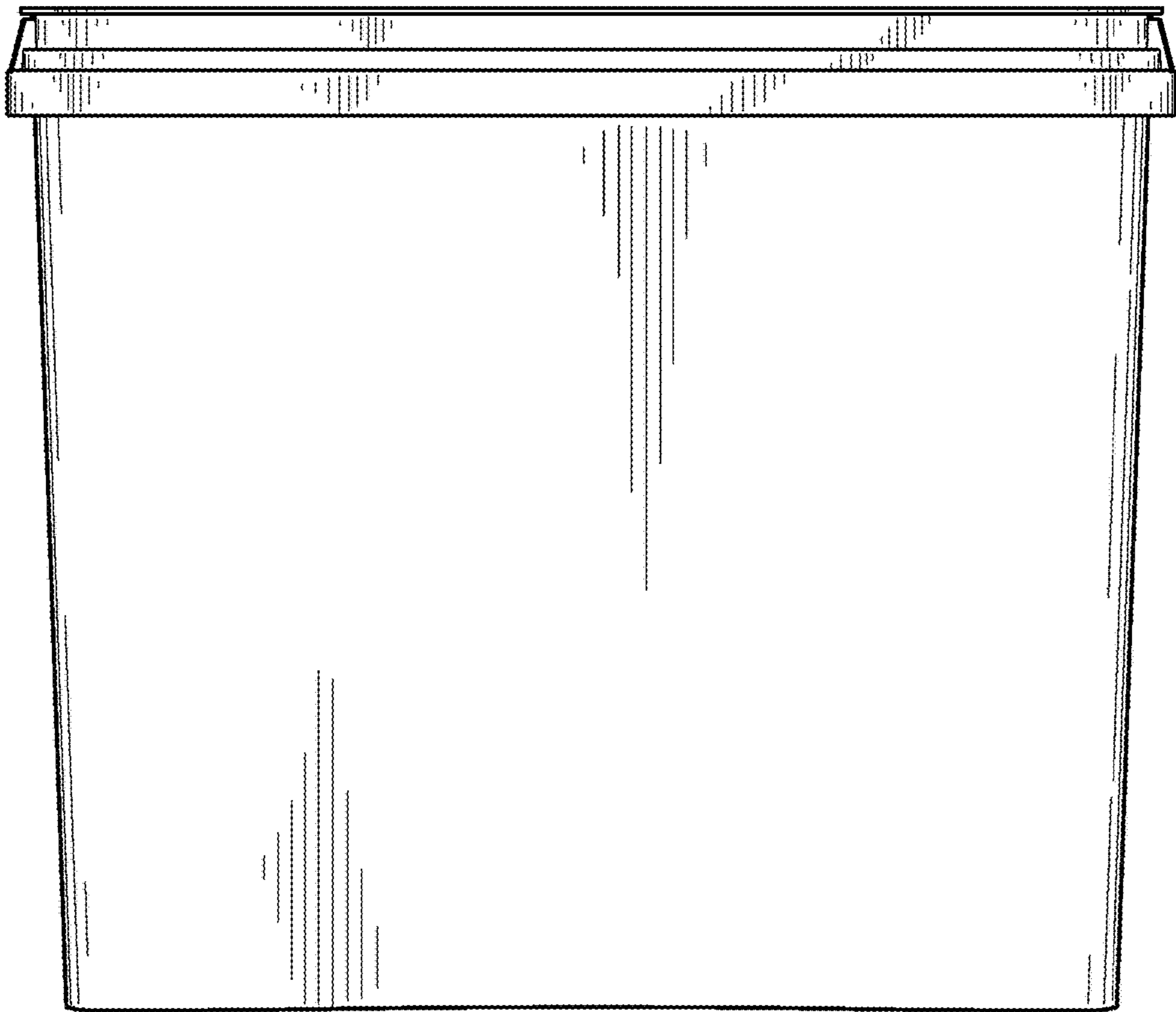


Fig. 6

Fig. 8

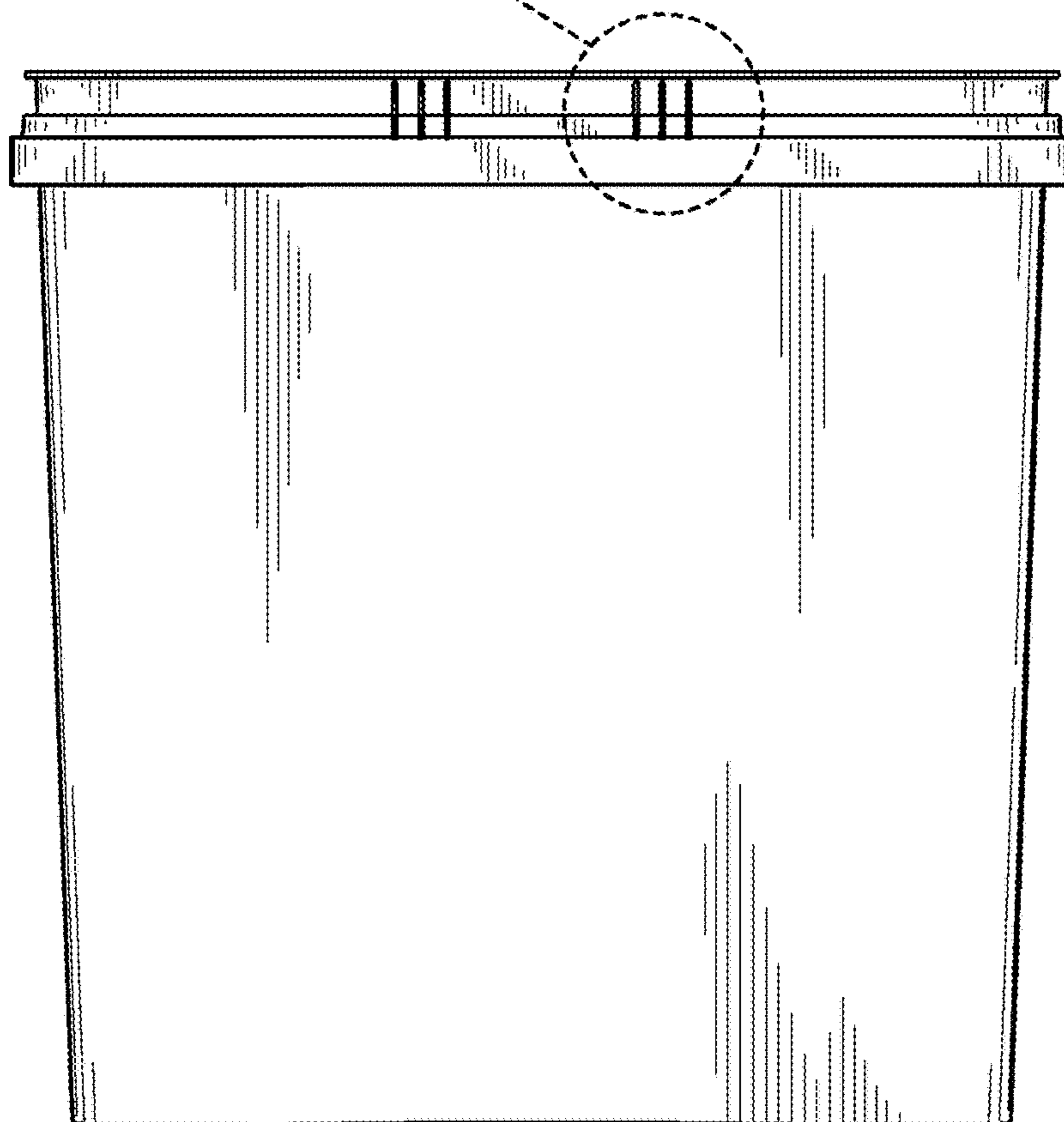


Fig. 7

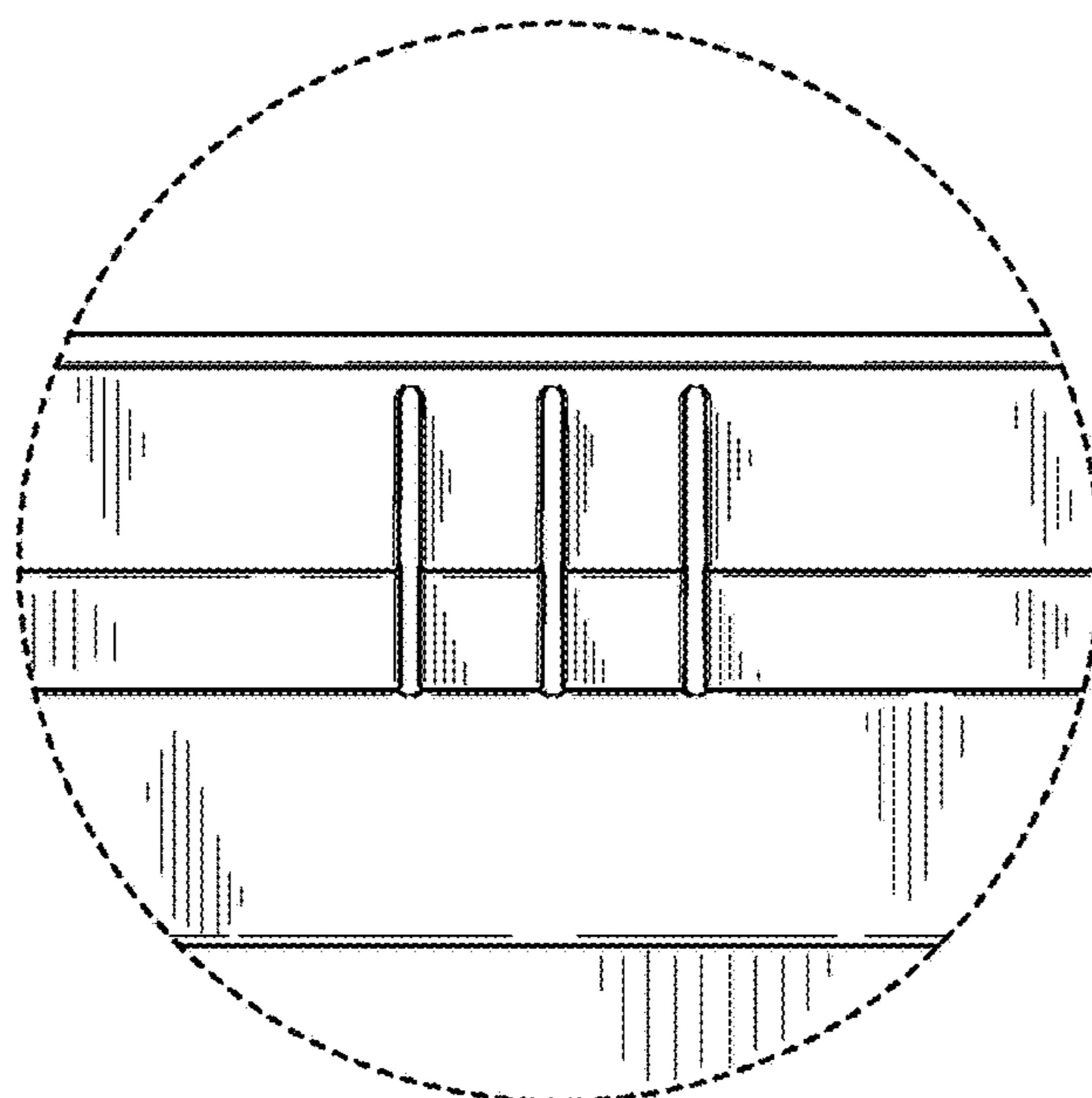


Fig. 8

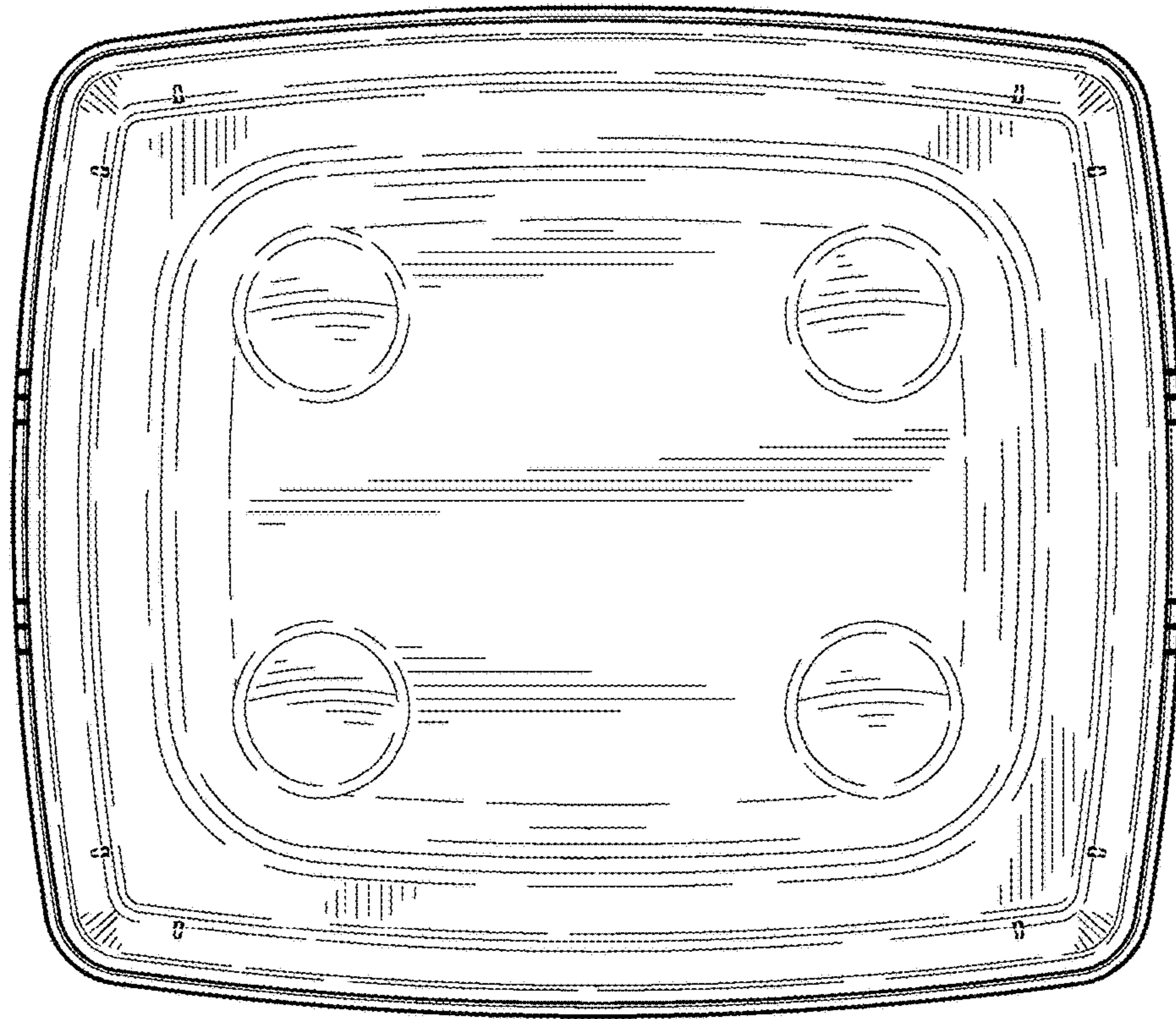


Fig. 9

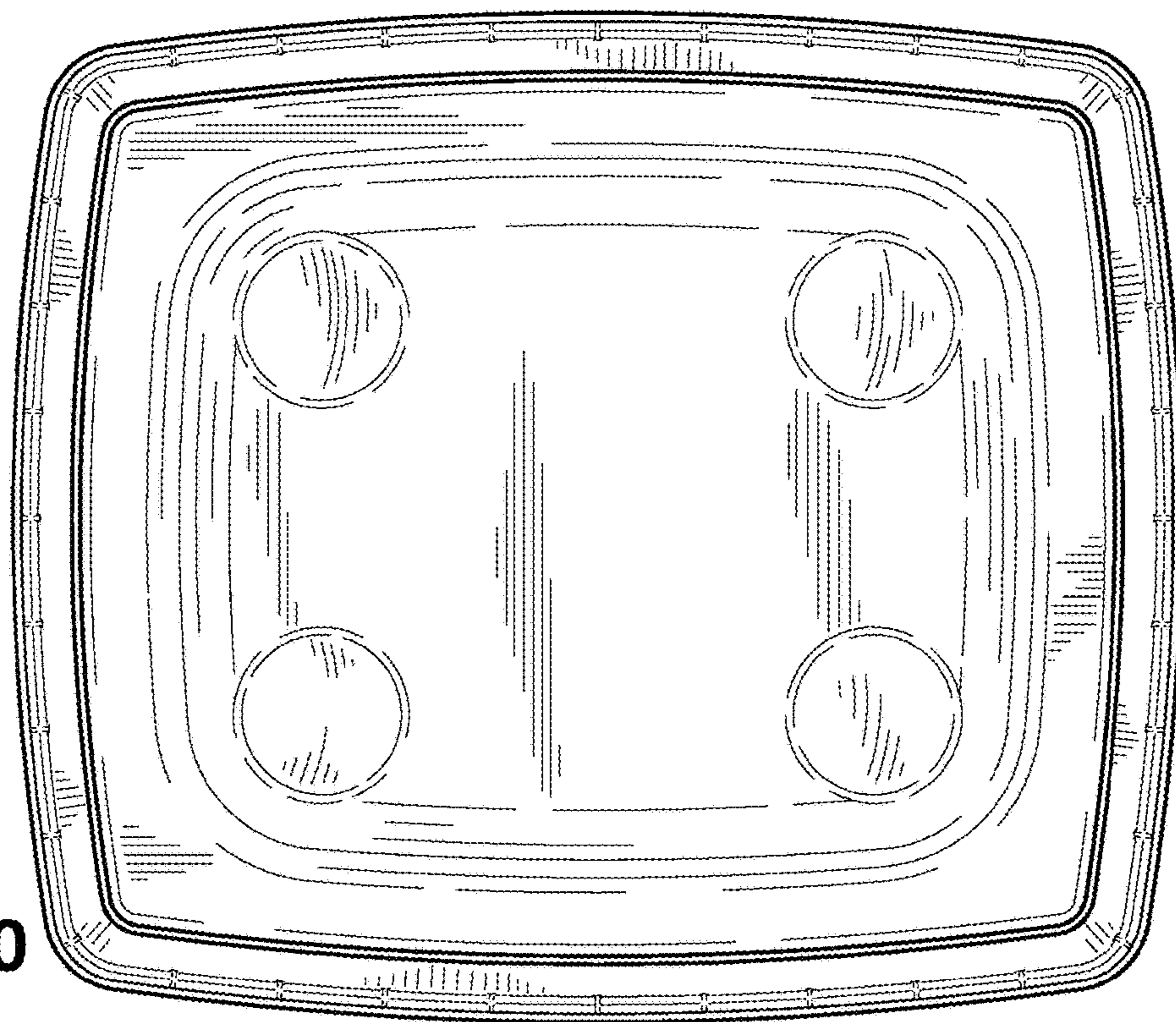


Fig. 10