



US00D781699S

(12) **United States Design Patent**
Pan et al.

(10) **Patent No.:** **US D781,699 S**

(45) **Date of Patent:** **** Mar. 21, 2017**

(54) **BLISTER PACKAGE**

(71) Applicant: **Reckitt Benckiser (Brands) Limited,**
Slough (GB)

(72) Inventors: **Kevin Pan,** Dongguan (CN); **Piotr Zaborniak,** Hull (GB); **Teun Franciscus van Wetten,** Eindhoven (NL)

(73) Assignee: **RECKITT BENCKISER (BRANDS) LIMITED,** Slough (GB)

(**) Term: **15 Years**

(21) Appl. No.: **29/554,382**

(22) Filed: **Feb. 11, 2016**

(30) **Foreign Application Priority Data**

Aug. 17, 2015 (EM) 002755736-0004

(51) **LOC (10) Cl.** **09-03**

(52) **U.S. Cl.**
USPC **D9/423**

(58) **Field of Classification Search**
USPC D9/423, 414, 449, 420, 429, 500, 504,
D9/428; D3/289, 203.2, 201, 302;
D14/204; D24/104; D28/82, 8.1, 78;
D6/407; D7/629, 392.1, 538; 206/308.1,
206/205; 132/301

CPC ... G11B 33/0422; A45D 33/006; B65D 45/30
See application file for complete search history.

(56) **References Cited**

U.S. PATENT DOCUMENTS

1,709,182 A * 4/1929 McKnight A45D 33/006
132/301
2,681,142 A * 6/1954 Cohen B65D 45/30
206/205

D260,968 S * 9/1981 Pavia D9/428
D291,843 S * 9/1987 Searle D3/302
D314,449 S * 2/1991 Bakic D28/82
D335,085 S * 4/1993 Wacker D7/538
D364,090 S * 11/1995 Krupa D9/423
D366,737 S * 1/1996 Chen D28/78
D372,862 S * 8/1996 Fiori D9/428
D373,954 S * 9/1996 Wolff D3/302
D375,261 S * 11/1996 Fiori D9/428
D388,549 S * 12/1997 Mouyiaris D28/82
D411,105 S * 6/1999 Magidson D28/82
D415,652 S * 10/1999 Loew D7/392.1
D419,371 S * 1/2000 Haley D7/392.1
D420,172 S * 2/2000 Thorpe D28/82

(Continued)

Primary Examiner — Rhea Shields

(74) *Attorney, Agent, or Firm* — Troutman Sanders LLP;
Ryan Schneider

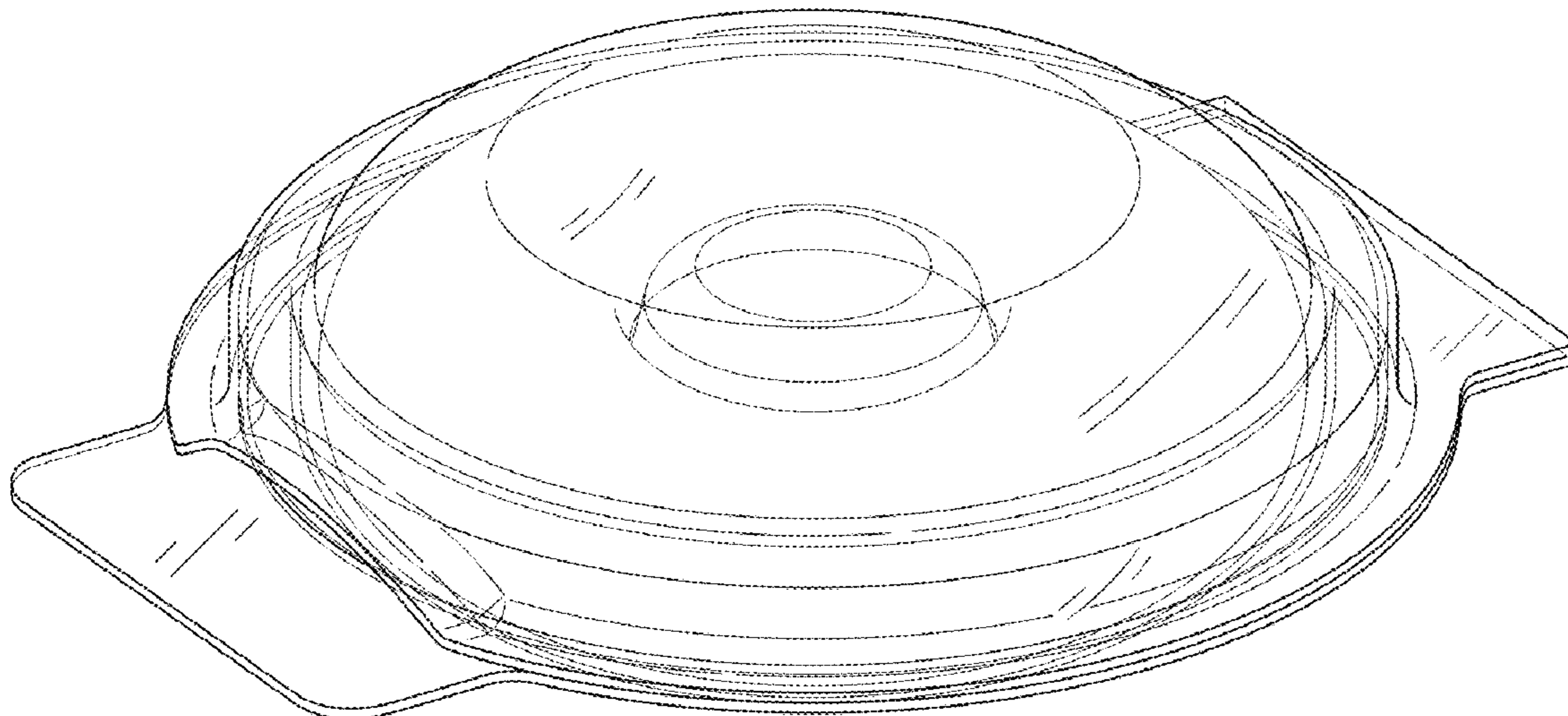
(57) **CLAIM**

The ornamental design for a blister package, as shown and described.

DESCRIPTION

FIG. 1 is a perspective view of a blister package of the present invention;
FIG. 2 is a front view of the blister package of FIG. 1;
FIG. 3 is a back view of the blister package of FIG. 1;
FIG. 4 is a side view of the blister package of FIG. 1;
FIG. 5 is the other side view of the blister package of FIG. 1;
FIG. 6 is a top view of the blister package of FIG. 1; and,
FIG. 7 is a bottom view of the blister package of FIG. 1.

1 Claim, 5 Drawing Sheets



(56)

References Cited

U.S. PATENT DOCUMENTS

D422,381 S * 4/2000 Gobe D28/82
D436,532 S * 1/2001 Richardson D24/104
6,170,657 B1 * 1/2001 Allsop G11B 33/0422
206/308.1
D441,144 S * 4/2001 Vanoncini D28/82
D441,649 S * 5/2001 Wolff D9/417
D463,884 S * 10/2002 Fang D28/82
D472,803 S * 4/2003 Saunders D9/423
D485,942 S * 1/2004 McLeish D28/8.1
D505,596 S * 5/2005 Tucker D7/629
D533,387 S * 12/2006 Huang D6/407
D560,488 S * 1/2008 Rust D9/414
D562,133 S * 2/2008 Liebe D9/449
D629,202 S * 12/2010 Wai D3/201
D645,339 S * 9/2011 Oakes D9/420
D650,269 S * 12/2011 Berggren D9/423
D677,156 S * 3/2013 Wu D9/429
D695,576 S * 12/2013 Roehrig D7/629
D707,039 S * 6/2014 Zerlin D3/203.2
D708,940 S * 7/2014 Juna D9/420
D730,727 S * 6/2015 Chen D9/500
D756,216 S * 5/2016 El-Debs D9/420
D756,790 S * 5/2016 Henriksson D9/504
D758,989 S * 6/2016 Vogt, Jr. D14/204
D767,986 S * 10/2016 Epstein D3/289

* cited by examiner

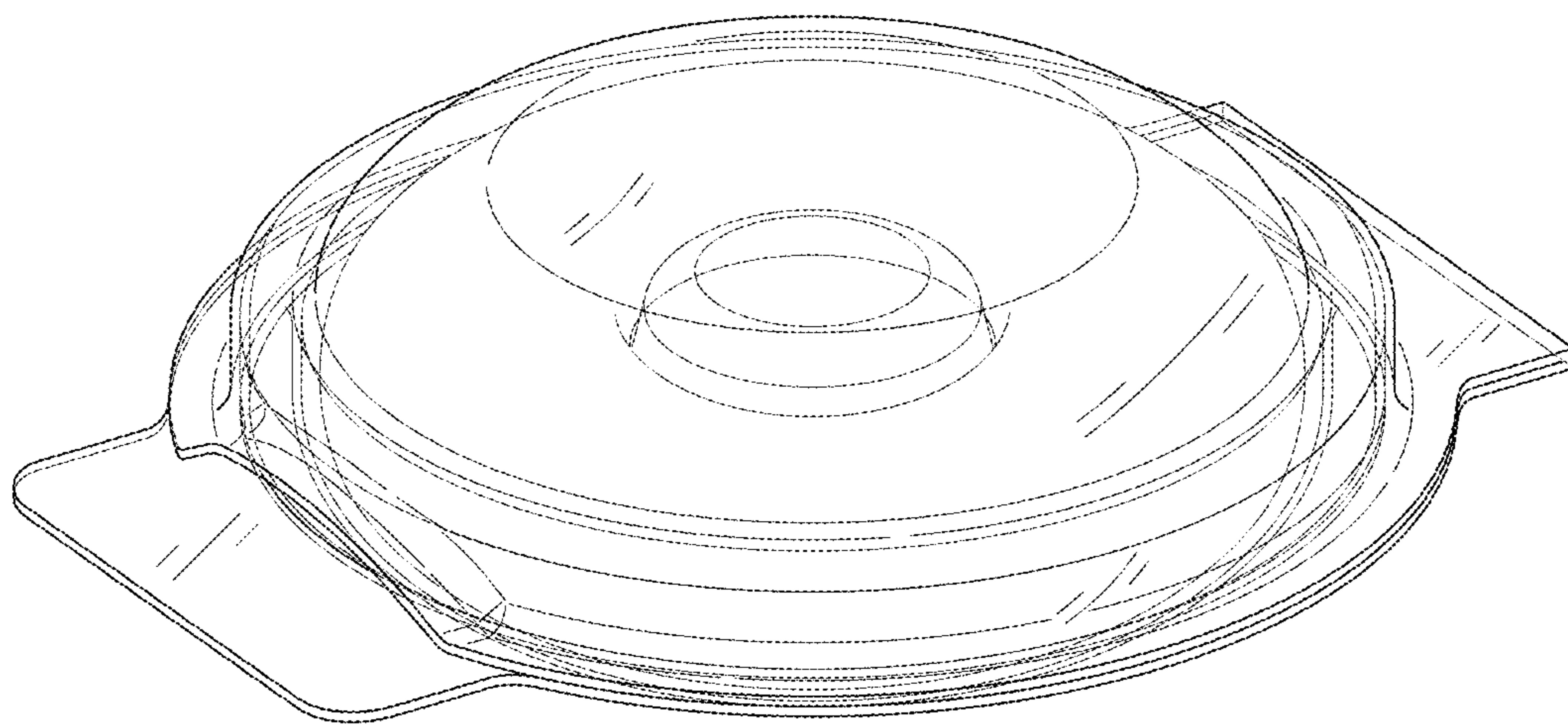


Fig. 1

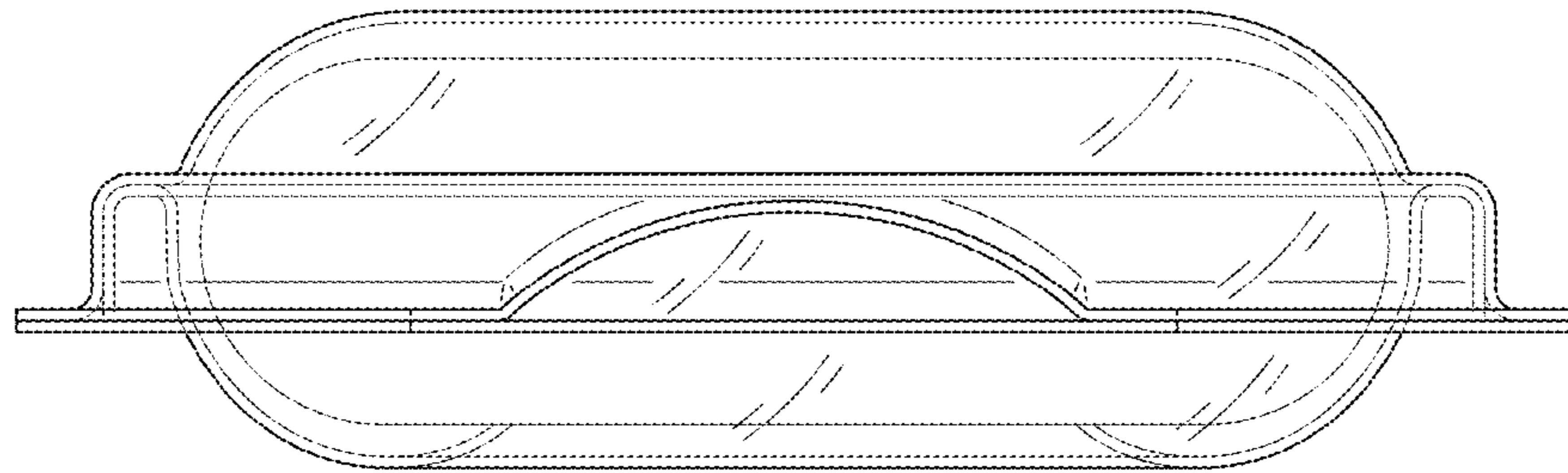


Fig. 2

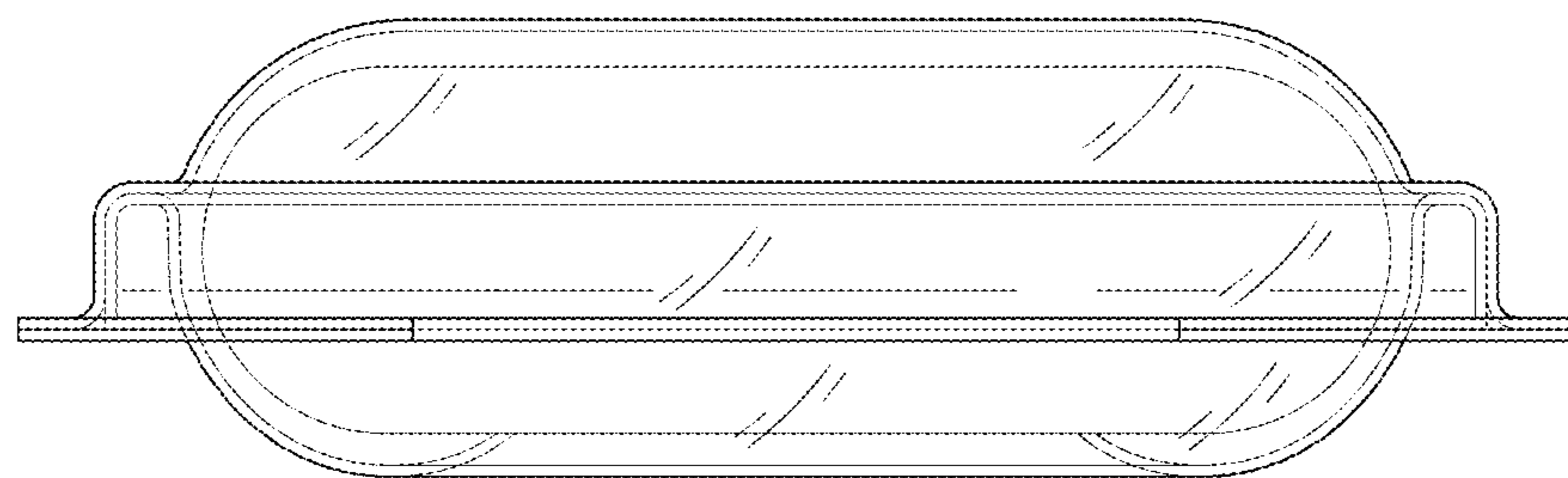


Fig. 3

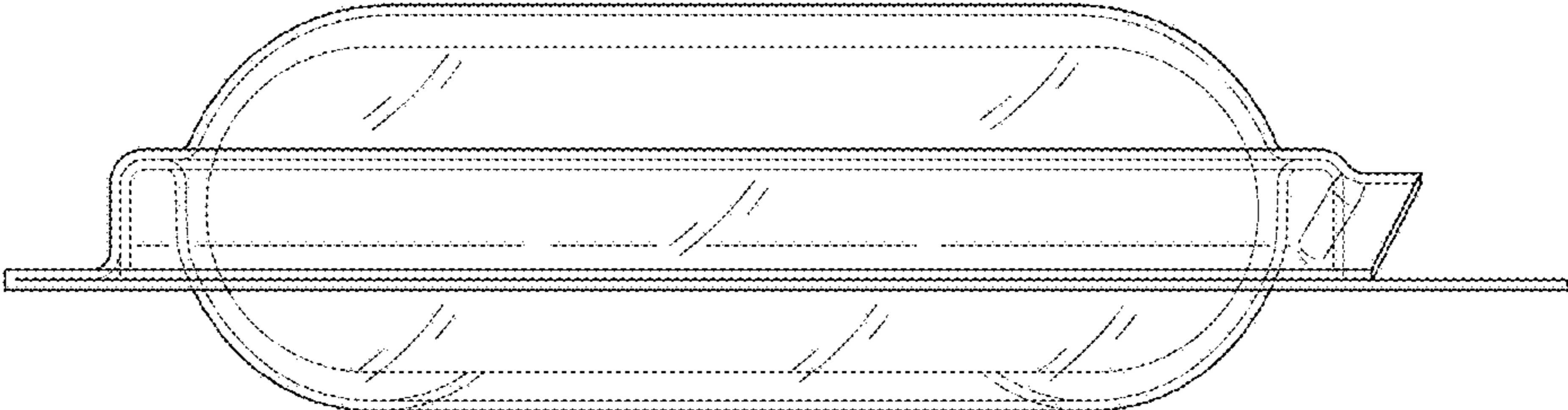


Fig. 4

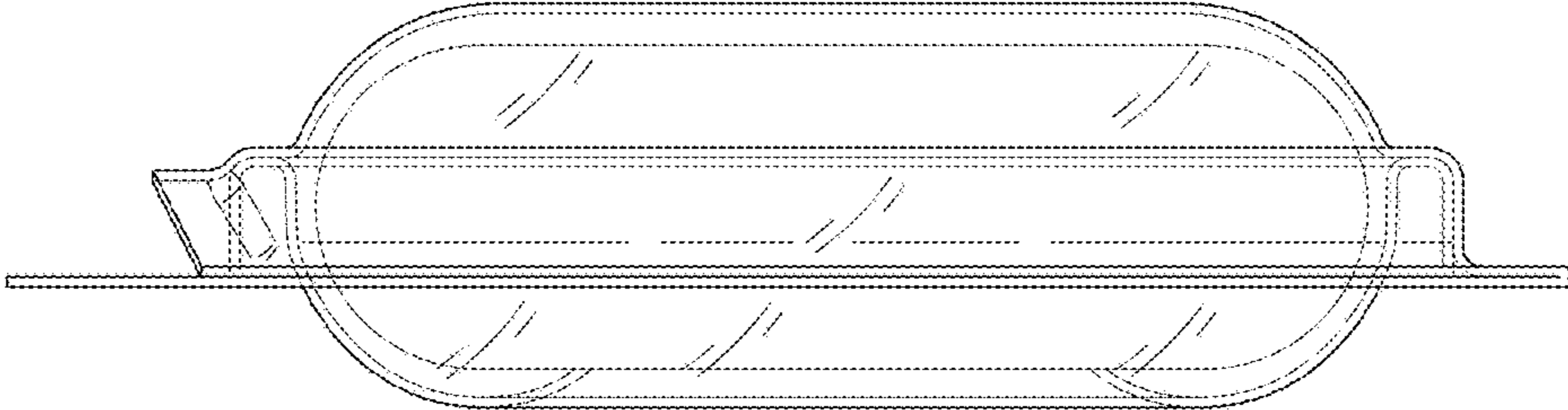


Fig. 5

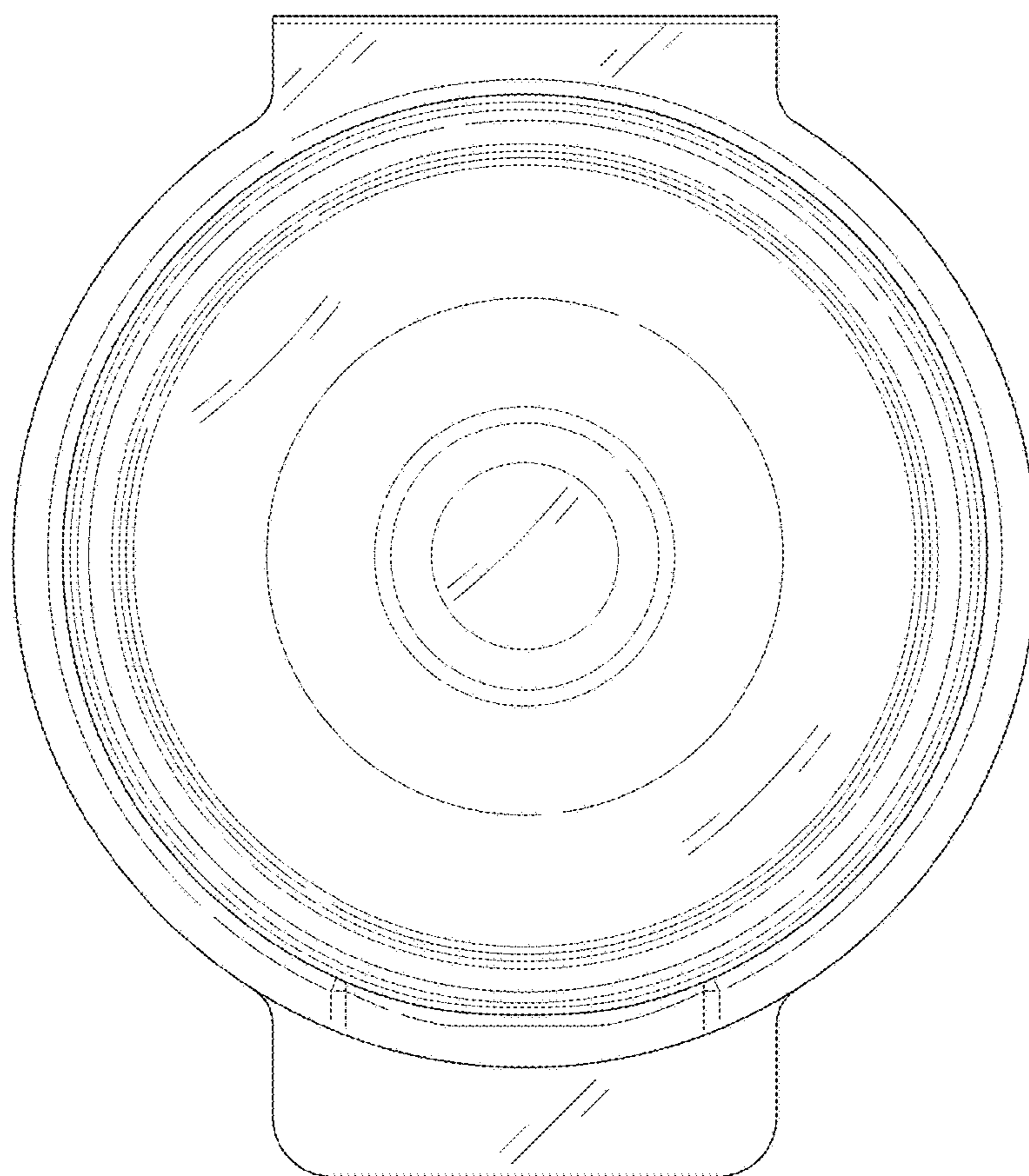


Fig. 6

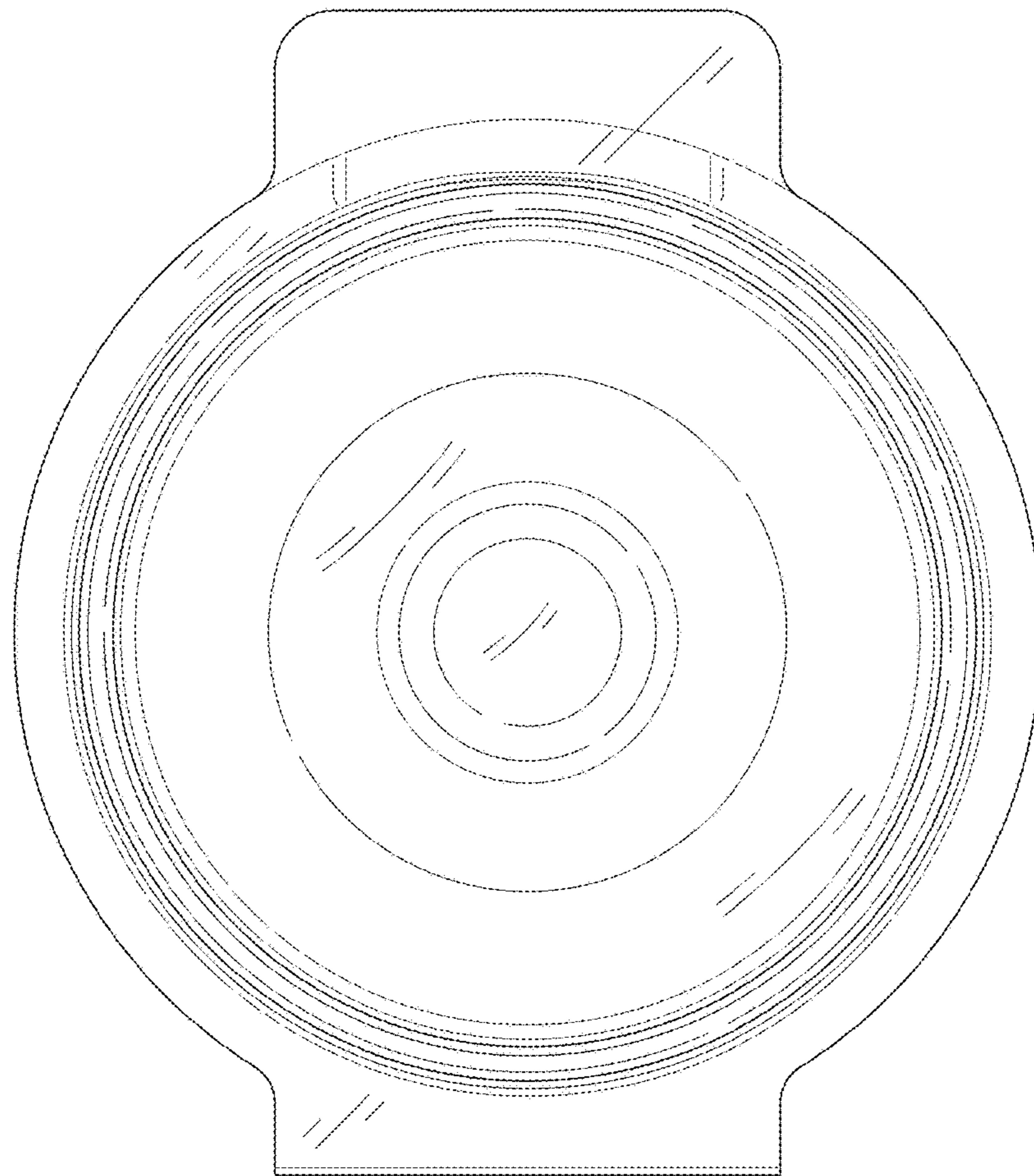


Fig. 7