



US00D781694S

(12) **United States Design Patent**  
**Iwata et al.**

(10) **Patent No.:** **US D781,694 S**  
(45) **Date of Patent:** **\*\* Mar. 21, 2017**

(54) **FUSE PULLER**  
(71) Applicant: **Pacific Engineering Corp.**, Gifu-ken (JP)  
(72) Inventors: **Atsushi Iwata**, Ogaki (JP); **Daiji Kondo**, Ogaki (JP)  
(73) Assignee: **Pacific Engineering Corp.**, Gifu-ken (JP)

D322,024 S *	12/1991	Archer	.....	D3/318
5,666,865 A *	9/1997	Ito	.....	H01H 85/0208
				29/278
D440,132 S *	4/2001	Su	.....	D8/14
D509,726 S *	9/2005	Diller	.....	D8/395
D510,699 S *	10/2005	Crain	.....	D10/74
D549,058 S *	8/2007	Shibata	.....	D8/14
D664,838 S *	8/2012	Parks	.....	D8/395
D679,580 S *	4/2013	Fitzpatrick	.....	D8/395
D687,292 S *	8/2013	Angel	.....	D8/395
D715,631 S *	10/2014	Szymanski	.....	D8/395
D721,785 S *	1/2015	Gehrung	.....	D23/226
D724,937 S *	3/2015	Zilisch	.....	D8/395
D729,022 S *	5/2015	Andoh	.....	D8/14
D751,359 S *	3/2016	Andoh	.....	D8/14
D757,215 S *	5/2016	Gehrung	.....	D23/226

(\*\*) Term: **14 Years**  
(21) Appl. No.: **29/495,169**

(22) Filed: **Jun. 27, 2014**

(30) **Foreign Application Priority Data**

Jan. 23, 2014 (JP) ..... 2014-002594

(51) **LOC (10) Cl.** ..... **08-08**

(52) **U.S. Cl.**  
USPC ..... **D8/394**; D8/395; D8/14

(58) **Field of Classification Search**  
USPC ..... D8/394-396, 72; D19/56, 65;  
D32/60-64; D28/40; 24/67.3  
CPC . D06F 55/00; A44D 2203/00; A61B 17/0664;  
A61B 17/04; A61B 17/1265; A43D  
79/00; A41B 3/08; A41F 15/02; A62F  
2/0063

See application file for complete search history.

(56) **References Cited**

**U.S. PATENT DOCUMENTS**

4,475,283 A *	10/1984	Olson	.....	B25B 9/02	29/278
4,841,819 A *	6/1989	Williams	.....	B25B 9/02	29/278

(Continued)

*Primary Examiner* — John Windmuller

(74) *Attorney, Agent, or Firm* — Patterson Thuent Pedersen, P.A.

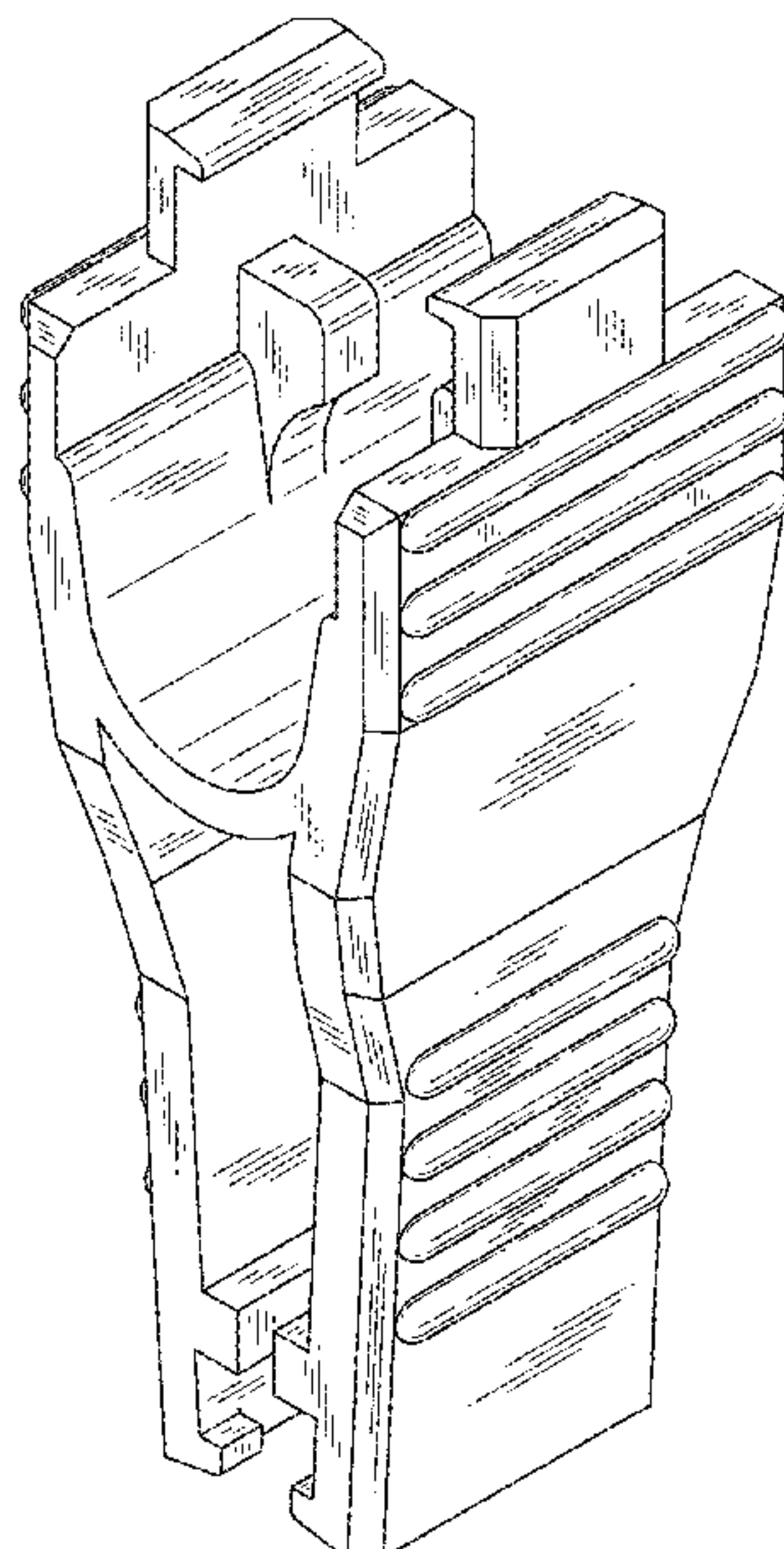
(57) **CLAIM**

We claim the ornamental design for a fuse puller, as shown and described.

**DESCRIPTION**

FIG. 1 is a front, top and right side perspective view of a fuse puller according to the invention.  
FIG. 2 is a front view thereof, the view of the fuse puller with the rear view being identical.  
FIG. 3 is a right side view thereof, the view of the fuse puller with the left side view being identical.  
FIG. 4 is a top plan view of the fuse puller, of FIG. 1.  
FIG. 5 is a bottom plan view of the fuse puller, of FIG. 1.  
FIG. 6 is a cross-sectional view of the fuse puller, of FIG. 2, taken at section 6-6; and,  
FIG. 7 is a cross-sectional view of the fuse puller, of FIG. 3, taken at section 7-7.

**1 Claim, 6 Drawing Sheets**



(56)

**References Cited**

U.S. PATENT DOCUMENTS

2005/0001439 A1 \* 1/2005 Lukaszynski ..... H01H 85/0208  
294/99.2

\* cited by examiner

Fig. 1

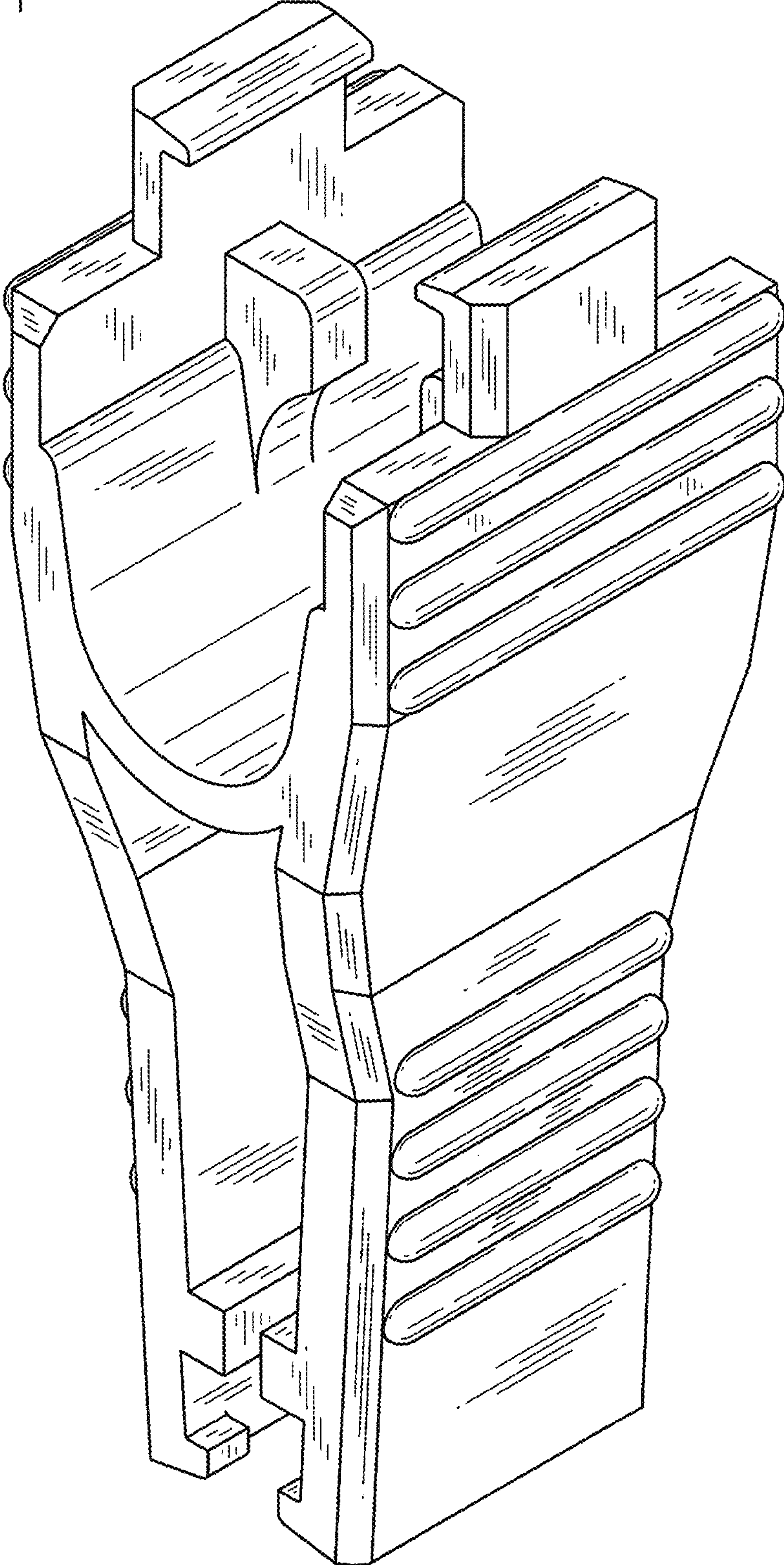


Fig. 2

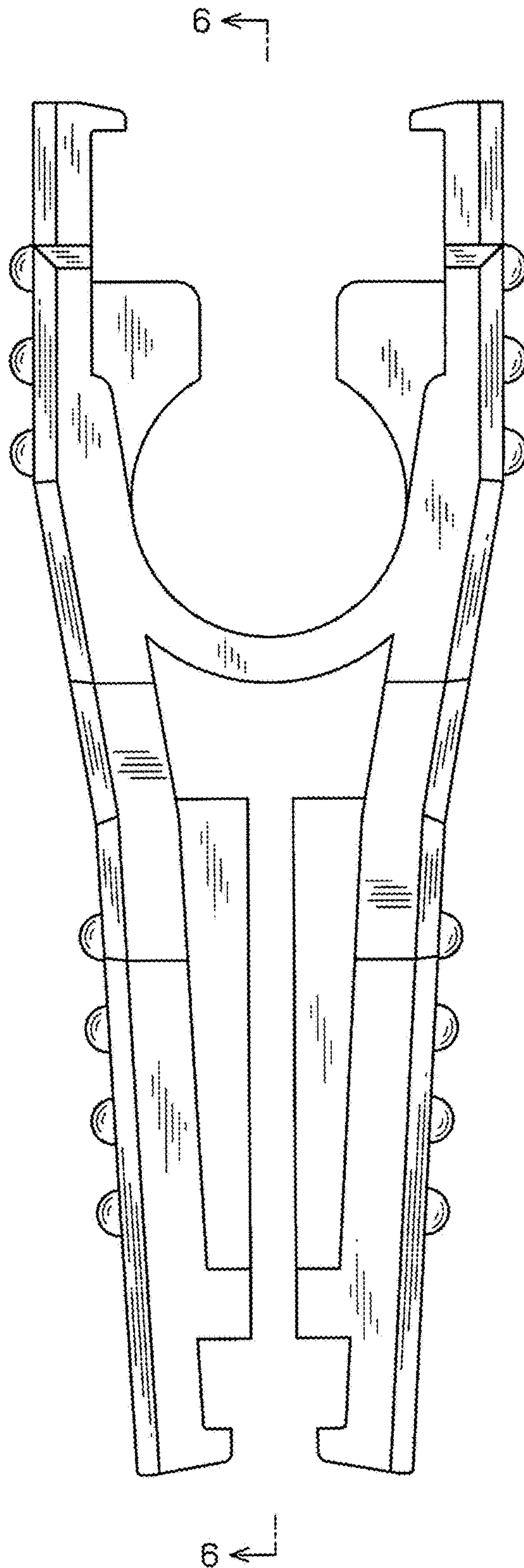




Fig. 3

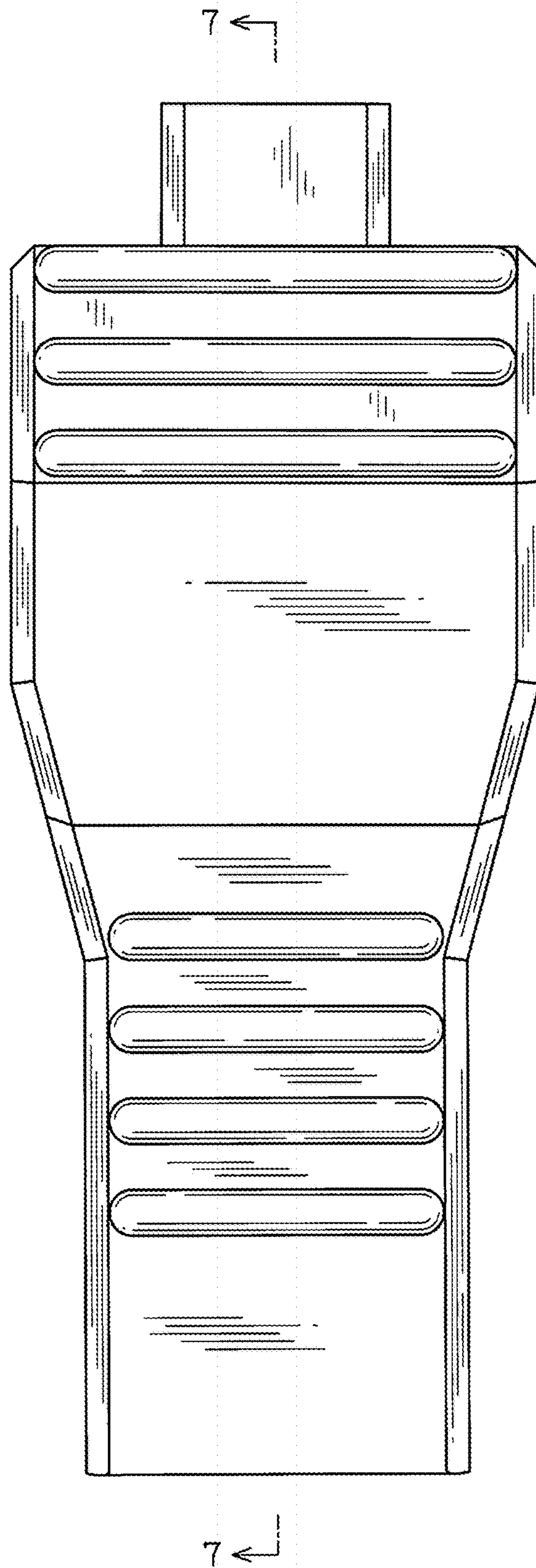


Fig. 4

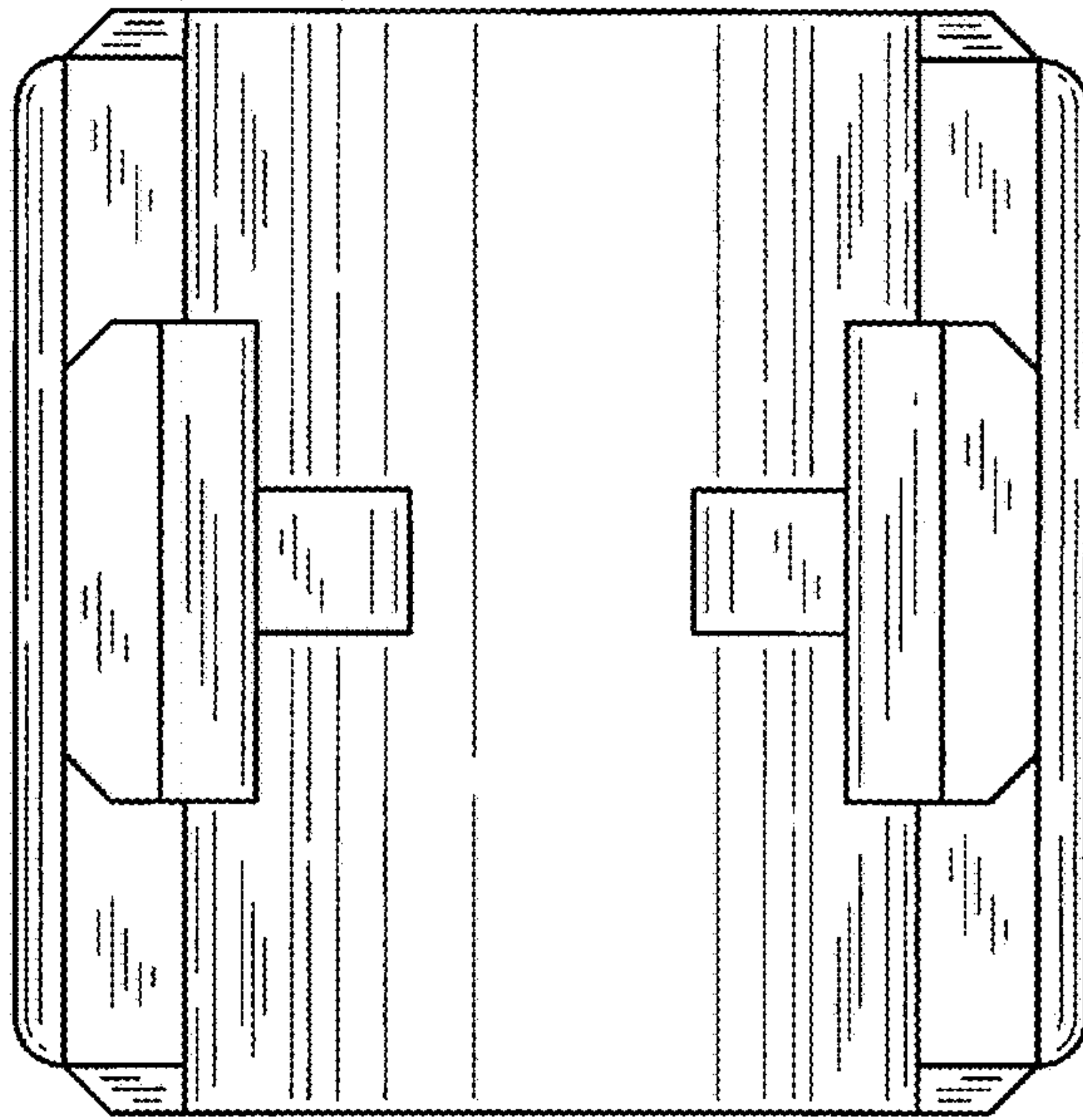


Fig. 5

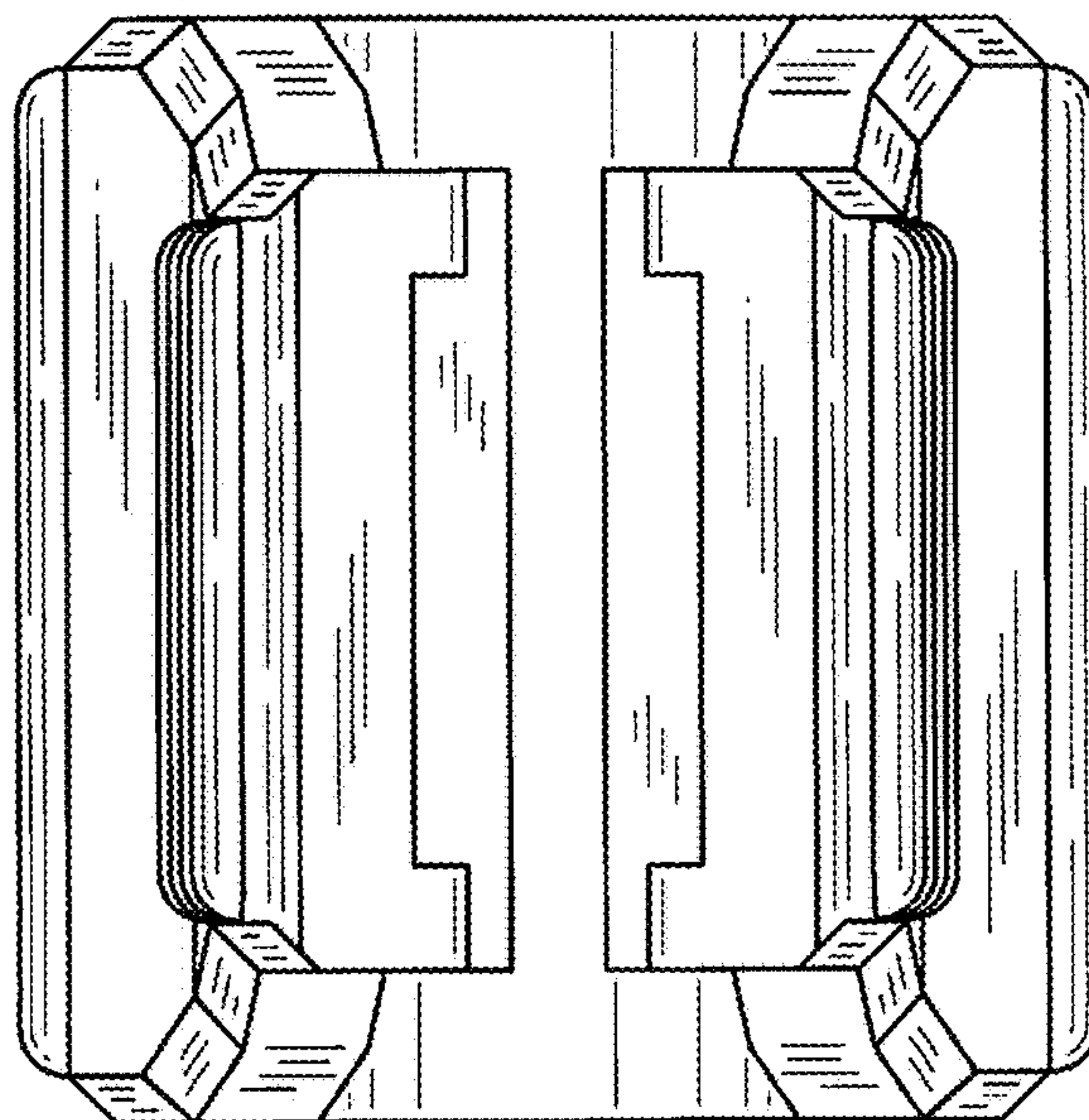


Fig. 6

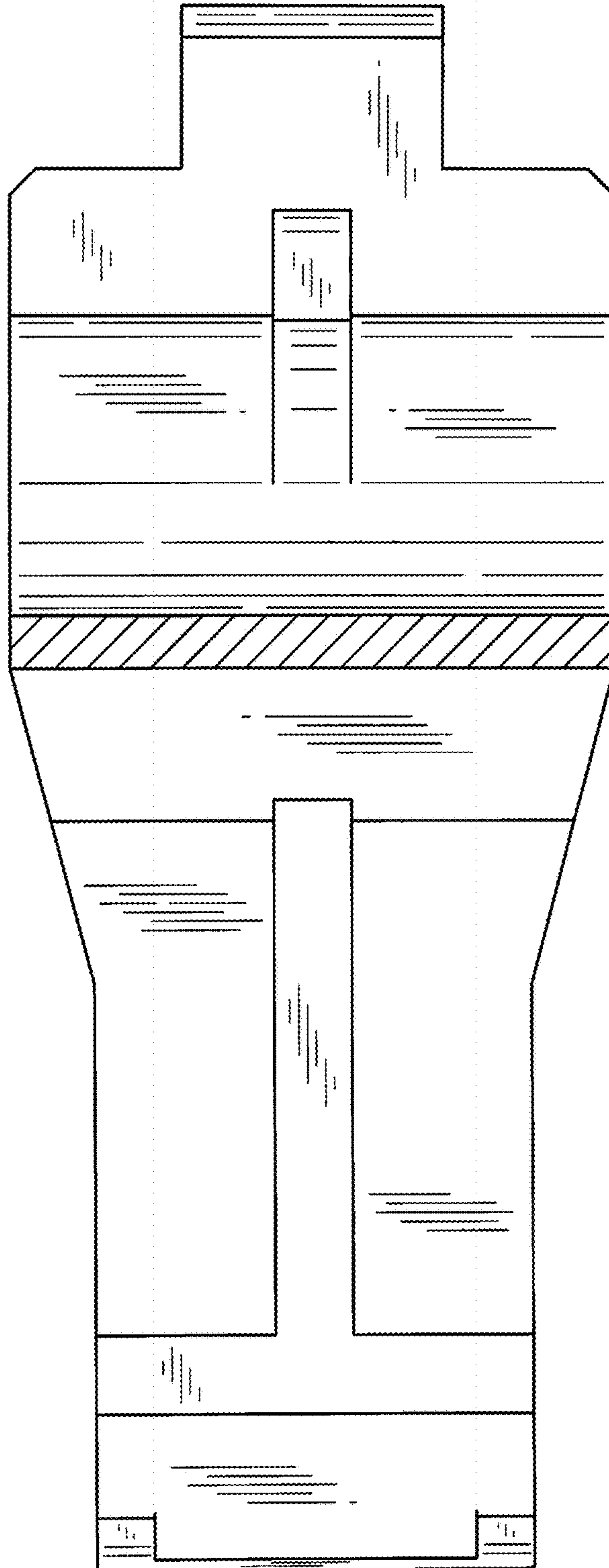


Fig. 7

