



US00D781692S

(12) **United States Design Patent**
Lomax et al.

(10) **Patent No.:** **US D781,692 S**
(45) **Date of Patent:** **** Mar. 21, 2017**

(54) **IDENTIFICATION TAG HOLDER**

FOREIGN PATENT DOCUMENTS

(71) Applicant: **HellermannTyton Limited**, Manchester (GB)

CN 3607038 * 2/2007
CN 301848670 * 2/2012

(Continued)

(72) Inventors: **Alan Lomax**, Manchester (GB);
Hannah Iles, Manchester (GB)

OTHER PUBLICATIONS

(73) Assignee: **HellermannTyton Ltd**, Manchester (GB)

Unitag Clip-On Cable Labels—Fast and Easy Cable ID, oldest review Mar. 20, 2007, online, <http://www.cableorganizer.com/unitag/>, [site visited Aug. 10, 2015 8:16:02 PM].*

(**) Term: **14 Years**

(Continued)

(21) Appl. No.: **29/481,418**

Primary Examiner — John Windmuller

(22) Filed: **Feb. 5, 2014**

Assistant Examiner — John R Yeh

(30) **Foreign Application Priority Data**

(74) *Attorney, Agent, or Firm* — Troutman Sanders, LLP;
Ryan A. Schneider

Aug. 5, 2013 (EM) 002286674-0001
Aug. 5, 2013 (EM) 002286674-0002
Sep. 10, 2013 (EM) 002305813-0001

(57) **CLAIM**

The ornamental design for the identification tag holder, as shown and described.

(51) **LOC (10) Cl.** **08-08**

(52) **U.S. Cl.**
USPC **D8/394**

DESCRIPTION

(58) **Field of Classification Search**
USPC D8/368, 394–396, 71–74, 499, 354–355,
D8/383–384; D19/64, 91, 100;
D11/208–209; D20/22, 40, 42–44, 99
CPC . D06F 55/00; A41B 3/08; A41F 15/02; F16B
19/1081; G09F 3/14; B42F 1/006;
(Continued)

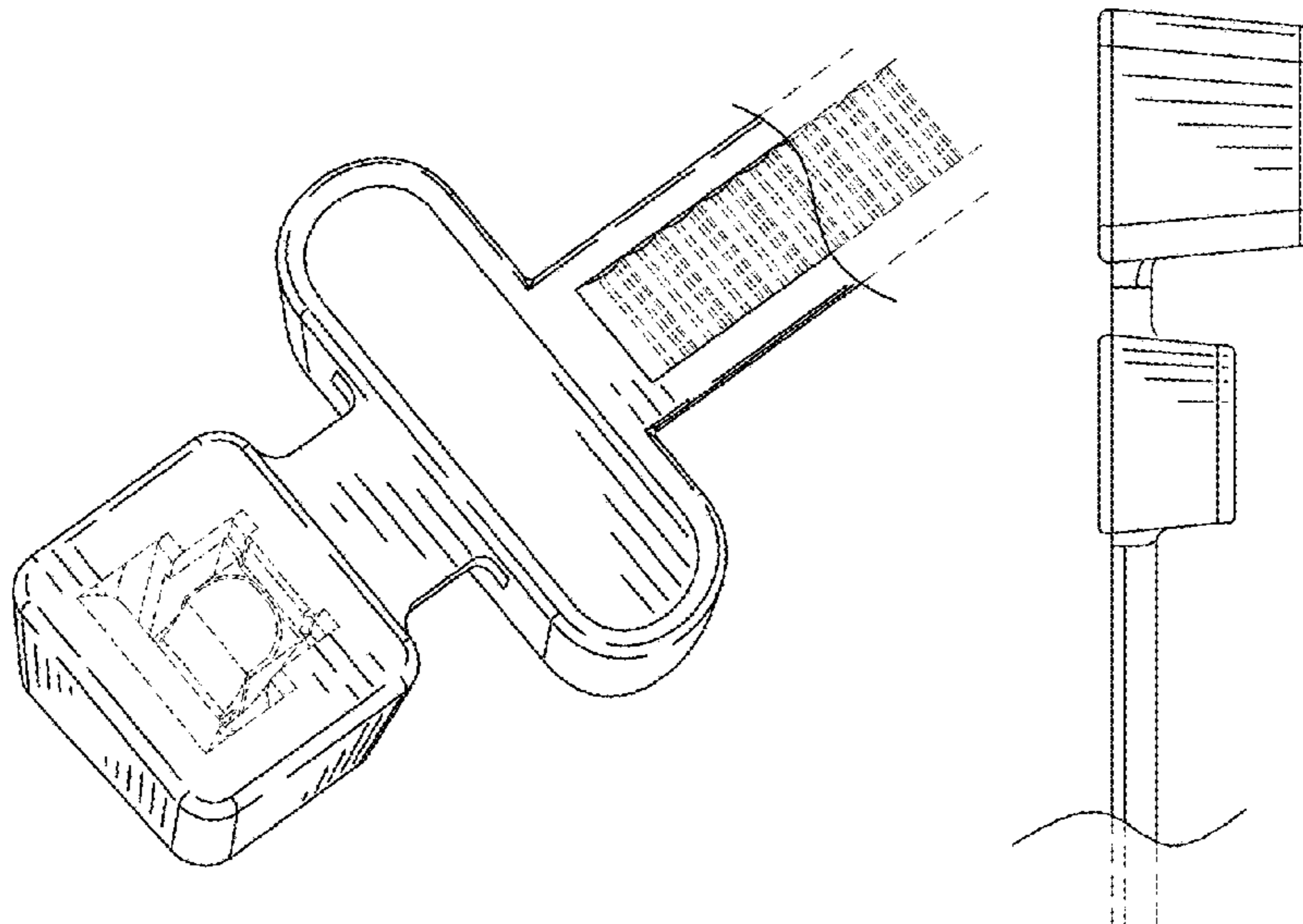
FIG. 1 is a top partial perspective view of an identification tag holder according to the present invention;
FIG. 2 is a front view of the identification tag holder of FIG. 1;
FIG. 3 is a back view of the identification tag holder of FIG. 1;
FIG. 4 is a bottom view of the identification tag holder of FIG. 1.
FIG. 5 is a top view of the identification tag holder of FIG. 1;
FIG. 6 is a side view of the identification tag holder of FIG. 1; and,
FIG. 7 is the other side view of the identification tag holder of FIG. 1.

(56) **References Cited**

U.S. PATENT DOCUMENTS

2,936,980 A * 5/1960 Rapata F16L 3/12
24/16 PB
D189,259 S * 11/1960 Hughes et al. D8/394
(Continued)

1 Claim, 2 Drawing Sheets



(58) **Field of Classification Search**
 CPC ... B42F 1/08; B42F 9/001; A47F 7/02; B65D
 63/1063; Y10T 24/1498; Y10T 24/14
 See application file for complete search history.

(56) **References Cited**

U.S. PATENT DOCUMENTS

3,556,575 A * 1/1971 Farkas B65D 63/1036
 24/16 PB
 3,568,262 A * 3/1971 Woldman B65D 63/1063
 24/16 PB
 3,588,963 A * 6/1971 Moberg G09F 3/14
 24/16 PB
 D222,128 S * 10/1971 Schwartz D8/394
 3,834,748 A * 9/1974 Lonnee G09F 3/14
 24/16 PB
 D234,473 S * 3/1975 Ringle D20/22
 4,092,765 A * 6/1978 Joyce B65D 63/1072
 24/16 PB
 4,272,900 A * 6/1981 MacLarty G09F 3/005
 24/16 PB
 4,470,173 A * 9/1984 Adamson B65D 63/1063
 24/16 PB
 4,506,415 A * 3/1985 Swift 24/16 PB
 D294,485 S * 3/1988 Johansson D13/157
 4,735,005 A * 4/1988 McCormick 40/661
 D326,406 S * 5/1992 Anderson D8/394
 5,201,100 A * 4/1993 Cardinale A44B 11/006
 24/16 R
 5,241,982 A * 9/1993 Taylor B60H 3/00
 137/384
 5,267,373 A * 12/1993 Chisek B65D 63/1072
 24/16 PB
 5,575,713 A * 11/1996 Benoit et al. 452/198
 D400,595 S * 11/1998 Hyde D20/22
 D407,453 S * 3/1999 Rashman D20/27
 5,915,629 A * 6/1999 Ribeiro B65D 63/16
 24/16 R
 6,086,971 A * 7/2000 Haas et al. 428/40.1
 6,186,451 B1 * 2/2001 Benoit 248/74.3
 D442,851 S * 5/2001 Wilson D8/394
 D444,054 S * 6/2001 Bernard D8/394
 7,520,030 B2 * 4/2009 Laporte B65D 63/1063
 24/16 PB
 7,595,733 B2 * 9/2009 Spagna 340/572.8
 D698,632 S * 2/2014 Wang D8/383
 D701,453 S * 3/2014 Wang D8/383
 D723,361 S * 3/2015 Adams D8/383

9,266,654 B1 * 2/2016 Scott B65D 63/1027
 2003/0088948 A1 * 5/2003 Cook F16L 3/14
 24/16 PB
 2003/0163904 A1 * 9/2003 O'Young et al. 24/16 PB
 2004/0000082 A1 * 1/2004 Wolfgang 40/668
 2005/0151038 A1 * 7/2005 Packard B42D 15/0086
 248/205.3
 2006/0117532 A1 * 6/2006 Cooper et al. 24/16 PB
 2006/0119111 A1 * 6/2006 De Lima Castro 292/316
 2007/0266531 A1 * 11/2007 Krisel 24/16 PB
 2008/0083094 A1 * 4/2008 Hsu et al. 24/16 PB
 2008/0106413 A1 * 5/2008 Rohlf 340/572.1
 2009/0031603 A1 * 2/2009 Kitchen G02C 11/00
 40/665
 2010/0223763 A1 * 9/2010 Shilale et al. 24/16 PB
 2012/0017401 A1 * 1/2012 Cheng 24/16 R
 2012/0042482 A1 * 2/2012 Koh G09F 3/037
 24/16 PB
 2013/0205545 A1 * 8/2013 Zantout et al. 24/16 R
 2014/0165339 A1 * 6/2014 Yuan 24/16 PB
 2014/0373312 A1 * 12/2014 Griggio 24/16 PB

FOREIGN PATENT DOCUMENTS

EM 000349857-0001 * 8/2005
 GB 4024721 * 6/2012

OTHER PUBLICATIONS

Panduit Pan-Ty Cable Markers, ID Cable Ties, and Flag Ties, review date Jun. 22, 2012, online, <http://www.cableorganizer.com/panduit/pan-ty-marker-flag-ties.html>, [site visited Aug. 10, 2015 8:18:20 PM].*

Cable Ties Information | IHS Engineering360, website copyright 2015, online, http://www.globalspec.com/learnmore/electrical_electronic_components/wires_cables_accessories/cable_ties_wrap, [site visited Aug. 10, 2015 8:21:21 PM].*

Amazon.com: 4.0" Natural Nylon, Horizontal ID Tag Style Wire Ties, review date May 5, 2012, online, http://www.amazon.com/Natural-Nylon-Horizontal-Style-Wire/dp/B0018SGU4S/ref=sr_1_2?ie=UTF8&qid=1439251728&sr=8-2&keywords=zip+tie+id+tag, [site visited Aug. 10, 2015 8:11:29 PM].*

Jeep Cherokee Transmission Cooling, website copyright 2016, site visited Aug. 15, 2016, http://www.lunghd.com/Tech_Articles/Transmission_and_Transfer_Case/TransmissionCooler.htm.*

Cable Tie Labels | eBay, update 2016, <http://www.ebay.co.uk/bhp/cable-tie-labels>, [site visited Aug. 15, 2016 7:24:47 PM].*

* cited by examiner

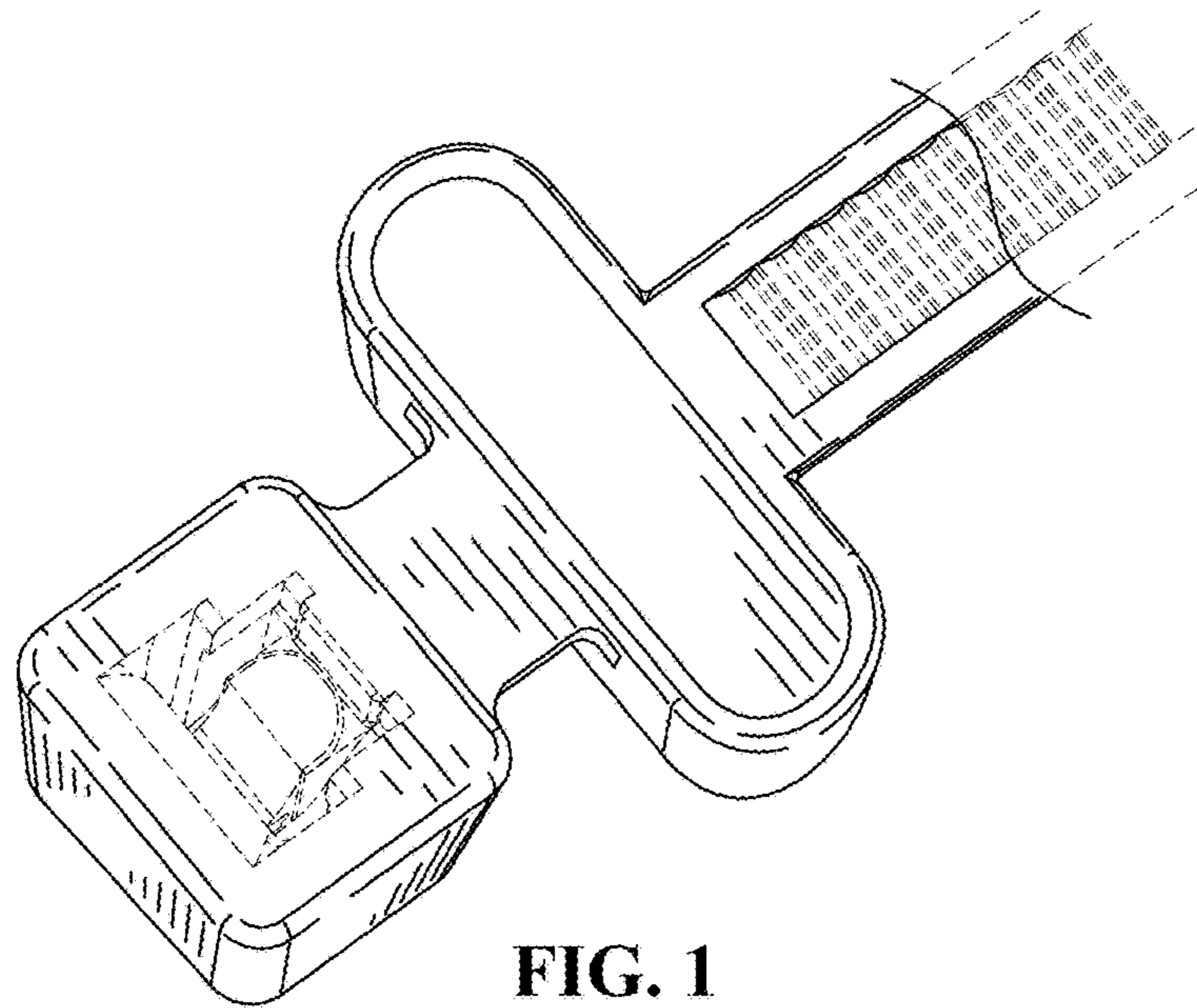


FIG. 1

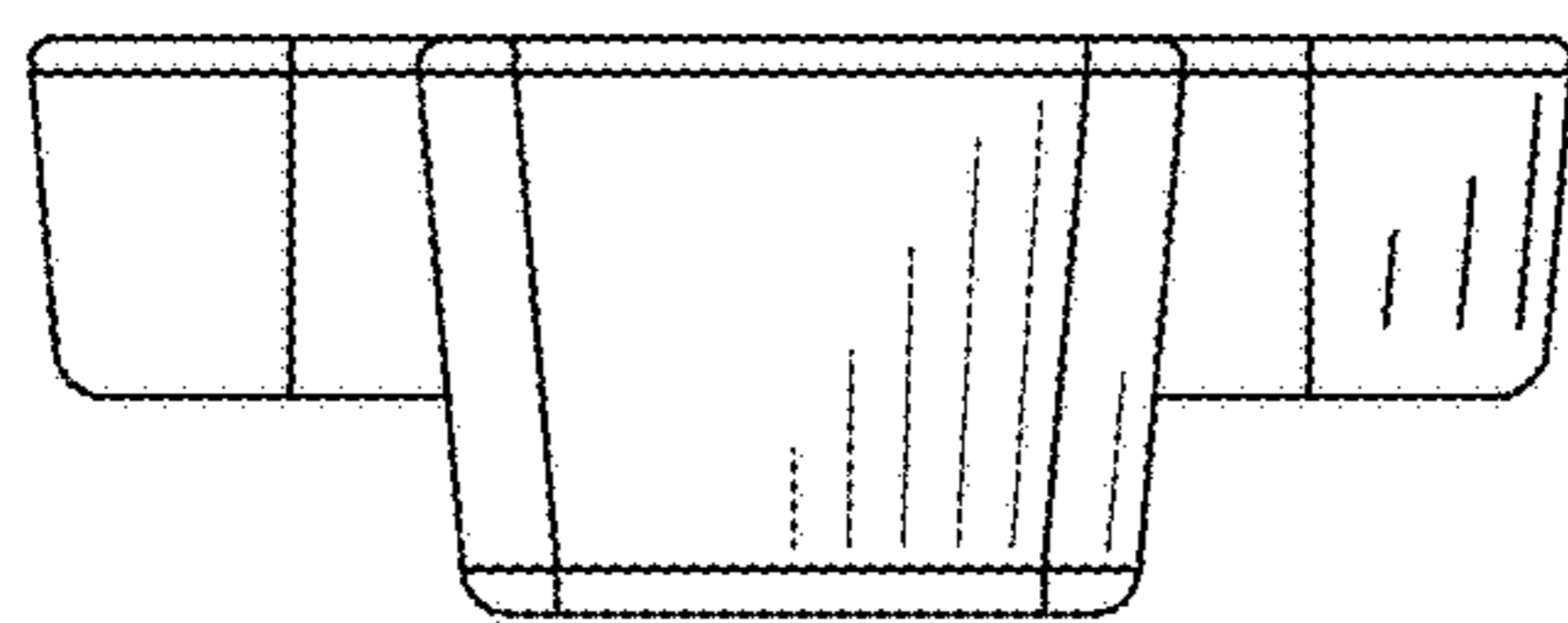


FIG. 2

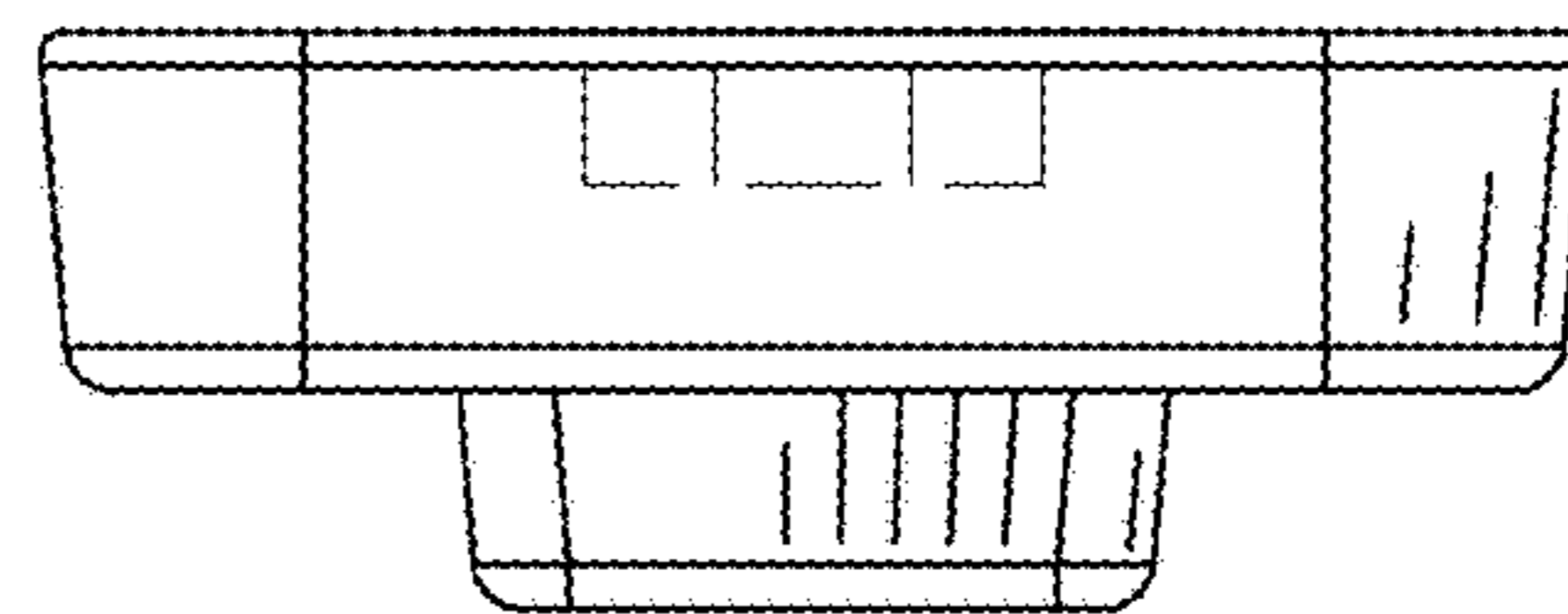


FIG. 3

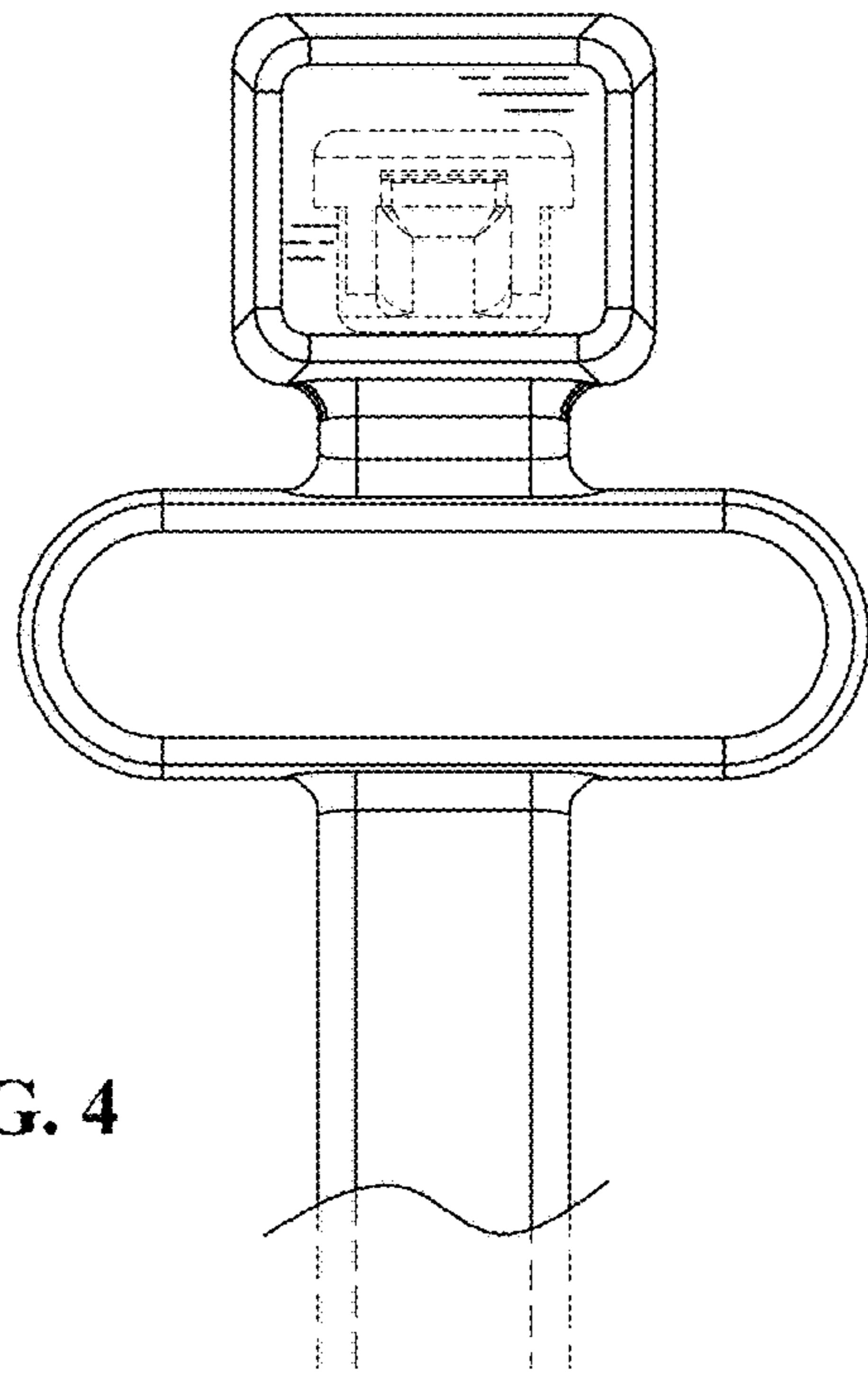


FIG. 4

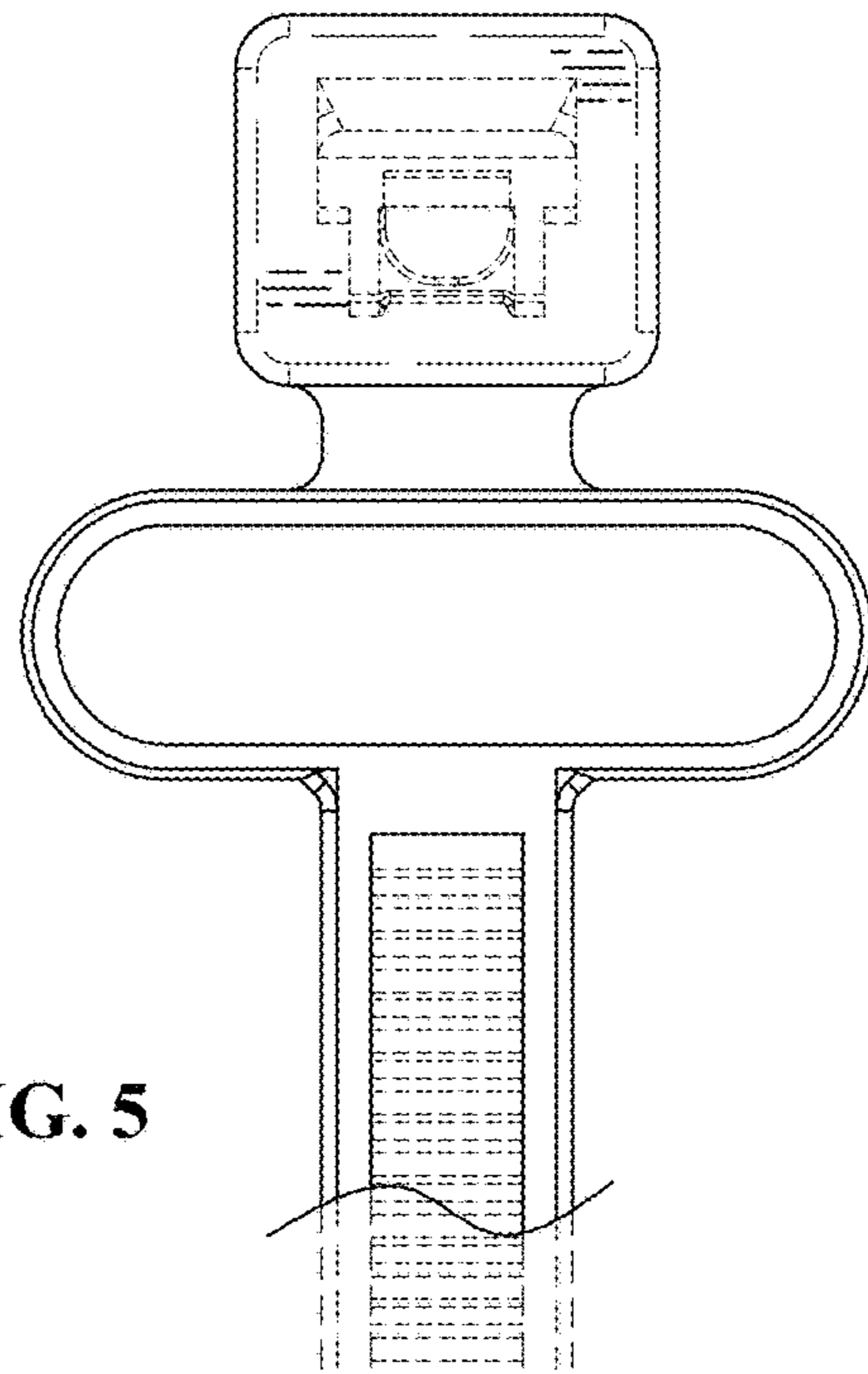


FIG. 5

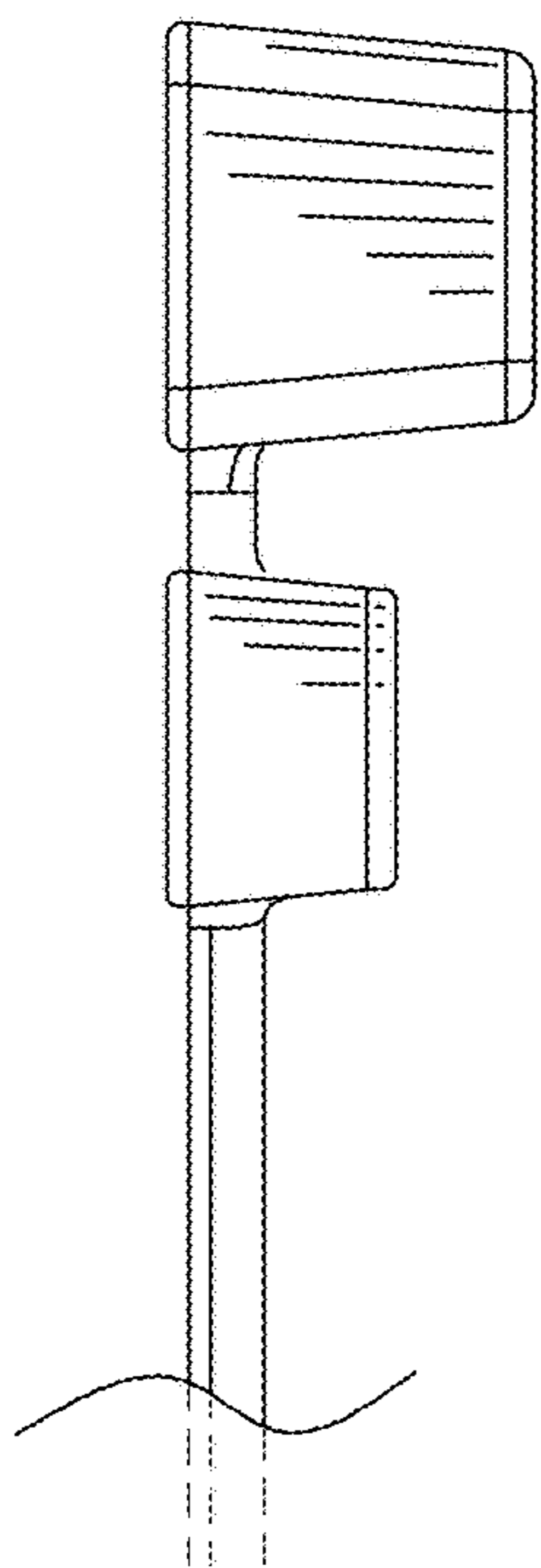


FIG. 6

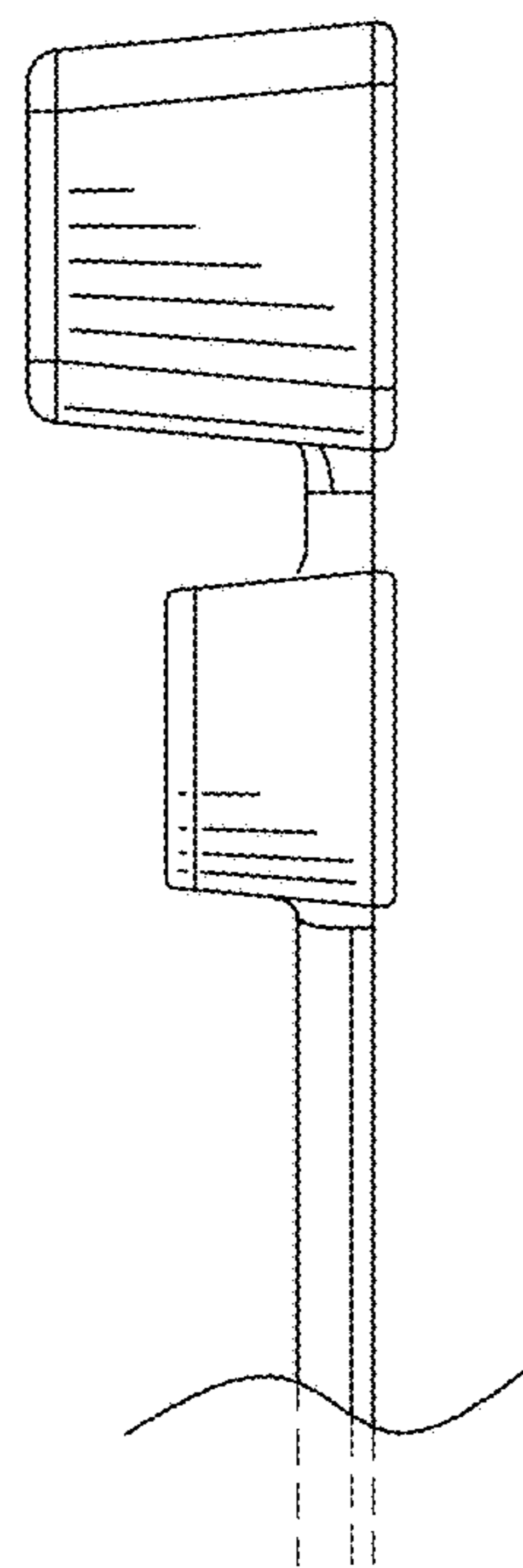


FIG. 7