



US00D781691S

(12) **United States Design Patent**  
**Baiz et al.**

(10) **Patent No.:** **US D781,691 S**  
(45) **Date of Patent:** **\*\* Mar. 21, 2017**

(54) **LUG NUT**

(71) Applicants: **Enrique J. Baiz**, Miramar, FL (US);  
**Oswaldo Izquierdo**, Homestead, FL (US)

(72) Inventors: **Enrique J. Baiz**, Miramar, FL (US);  
**Oswaldo Izquierdo**, Homestead, FL (US)

(\*\*) Term: **15 Years**

(21) Appl. No.: **29/585,110**

(22) Filed: **Nov. 21, 2016**

(51) **LOC (10) Cl.** ..... **08-08**

(52) **U.S. Cl.**  
USPC ..... **D8/387; D8/397**

(58) **Field of Classification Search**  
USPC ..... D8/382, 387, 388, 391, 393, 397, 399;  
D12/202, 213, 223, 400, 207, 208  
CPC ..... F16B 37/00; F16B 37/14; F16B 37/145;  
F16B 35/04; F16B 35/06; F16B 41/00;  
F16B 41/002; F16B 41/005; F16B 23/00;  
B60B 23/06; B60B 23/08; B60B 27/065;  
B60B 3/16; B60B 3/165; Y10S 411/91;  
Y10S 411/914; Y10S 411/915; Y10T  
70/5867

See application file for complete search history.

(56) **References Cited**

**U.S. PATENT DOCUMENTS**

2,867,143	A *	1/1959	Appleton	.....	H01R 4/58 29/751
D207,181	S *	3/1967	Mackie	.....	D8/397
D208,428	S *	8/1967	Holliday	.....	411/431
D208,429	S *	8/1967	Holliday	.....	D8/385
D268,565	S *	4/1983	Mortus	.....	D8/397
4,813,835	A *	3/1989	Toth	.....	B60B 7/00 411/429

D337,989	S *	8/1993	Lee	.....	D13/133
D449,515	S *	10/2001	Sato	.....	D8/397
D460,347	S *	7/2002	Berry	.....	D8/382
D484,785	S *	1/2004	Plumer	.....	D8/397
D488,715	S *	4/2004	Plumer	.....	D8/397
D510,259	S *	10/2005	Yoshimoto	.....	D8/397
D519,076	S *	4/2006	Fox	.....	D13/133
D583,656	S *	12/2008	Bush	.....	D8/397
D590,243	S *	4/2009	Bush	.....	D8/397
D605,135	S *	12/2009	Malloy	.....	D13/151
D711,732	S *	8/2014	Schermer	.....	D8/397
D727,720	S *	4/2015	Schermer	.....	D8/397
D746,129	S *	12/2015	Kishida	.....	D8/399
2013/0071204	A1 *	3/2013	Hunter	.....	F16B 37/14 411/373

\* cited by examiner

*Primary Examiner* — Sandra Snapp

*Assistant Examiner* — Ieisha Price

(74) *Attorney, Agent, or Firm* — QuickPatents, LLC;  
Kevin Prince

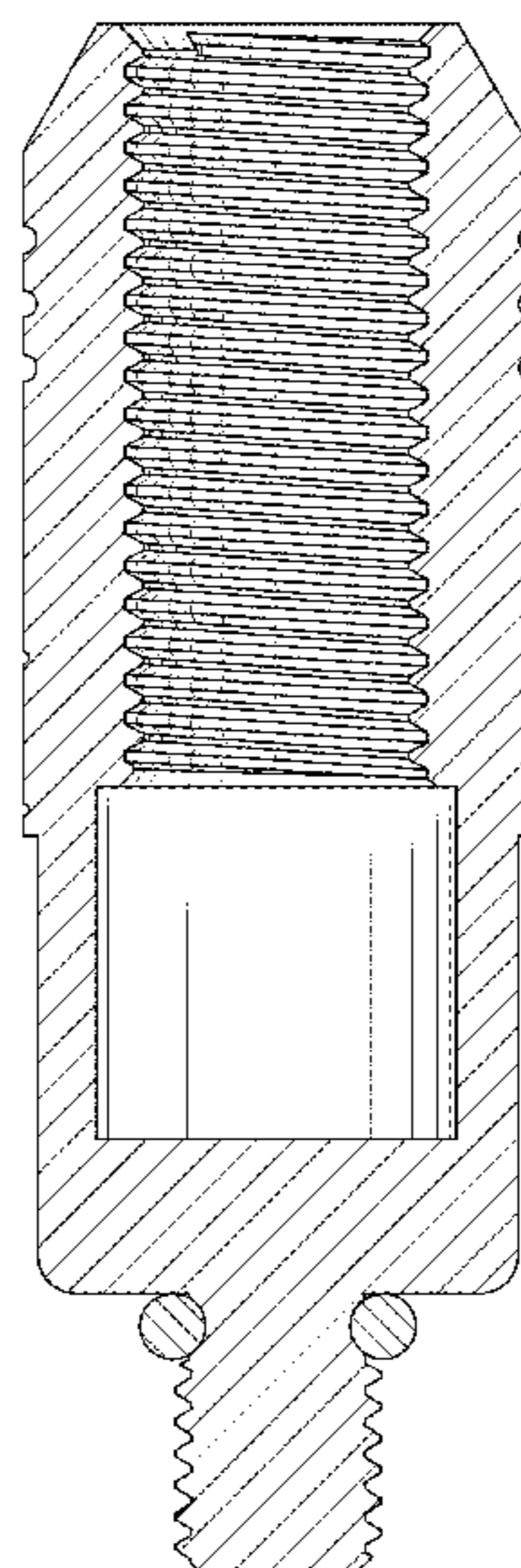
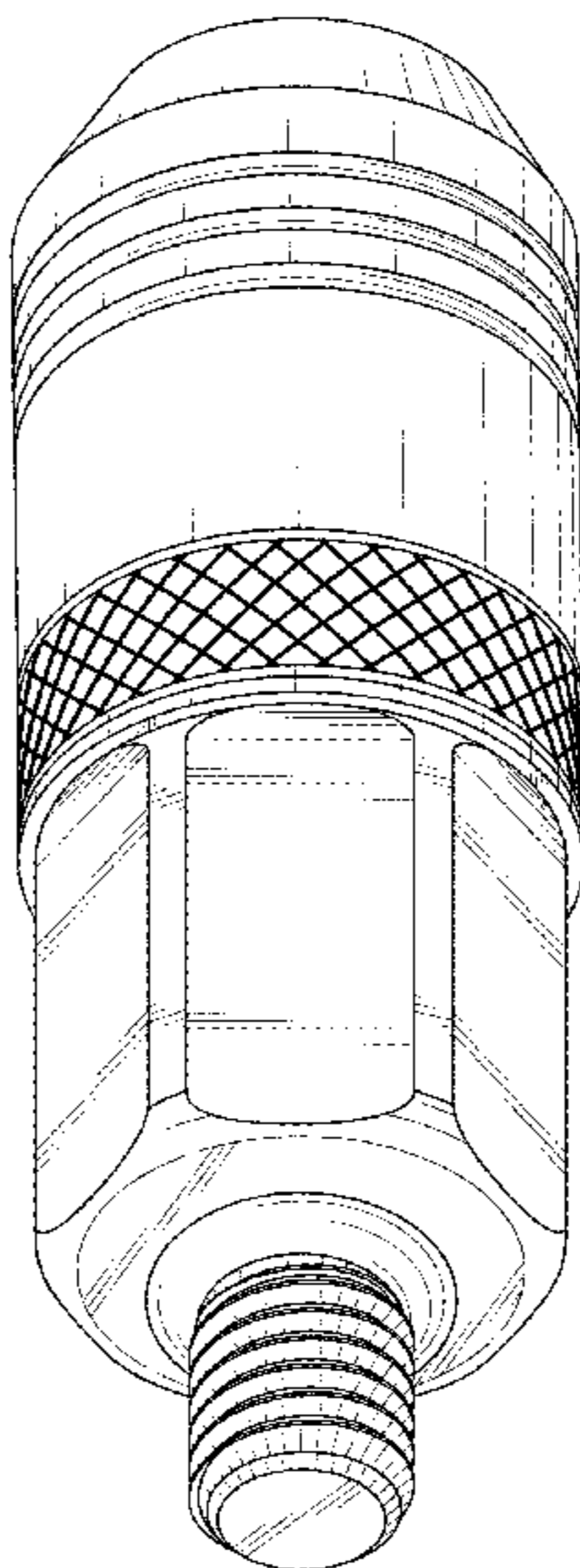
(57) **CLAIM**

We claim the ornamental design for a lug nut, as shown and described.

**DESCRIPTION**

FIG. 1 is a top perspective view of a lug nut, showing our new design;  
FIG. 2 is a bottom perspective view thereof;  
FIG. 3 is a front elevational view thereof;  
FIG. 4 is a rear elevational view thereof;  
FIG. 5 is a left-side elevational view thereof;  
FIG. 6 is a rear elevational view thereof;  
FIG. 7 is a top plan view thereof;  
FIG. 8 is a bottom plan view thereof; and,  
FIG. 9 is a cross-sectional view thereof, taken along line 9-9 of FIG. 7.

**1 Claim, 6 Drawing Sheets**



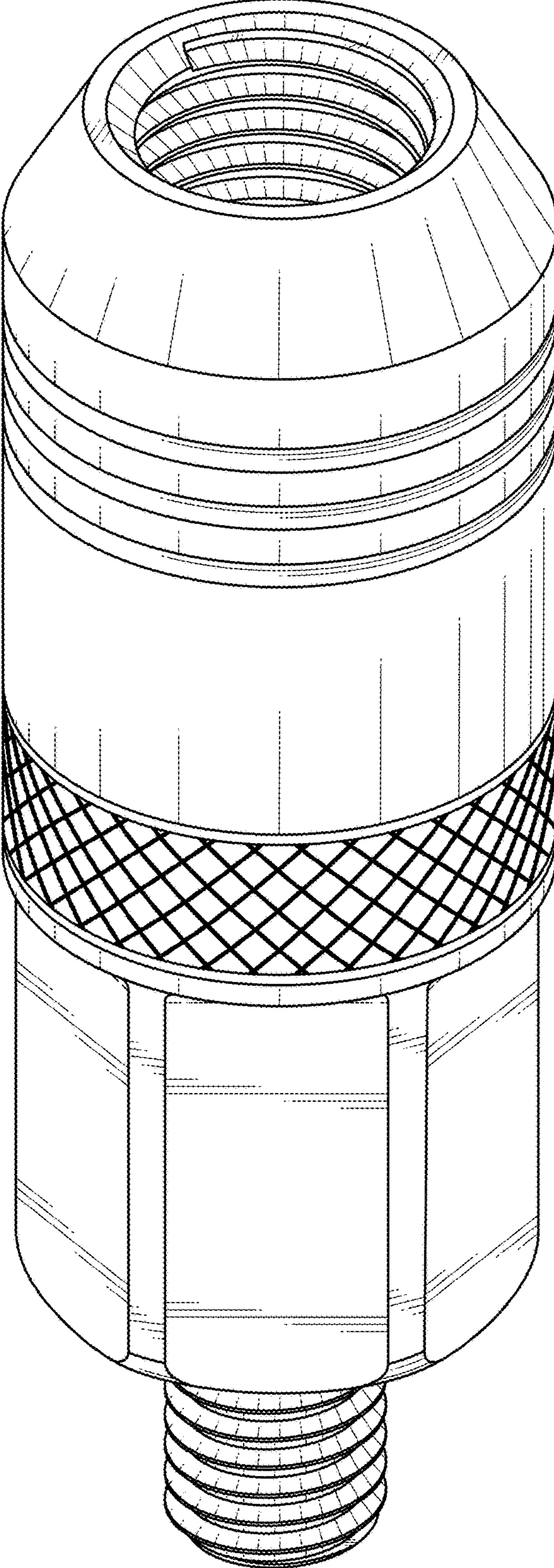


FIG. 1

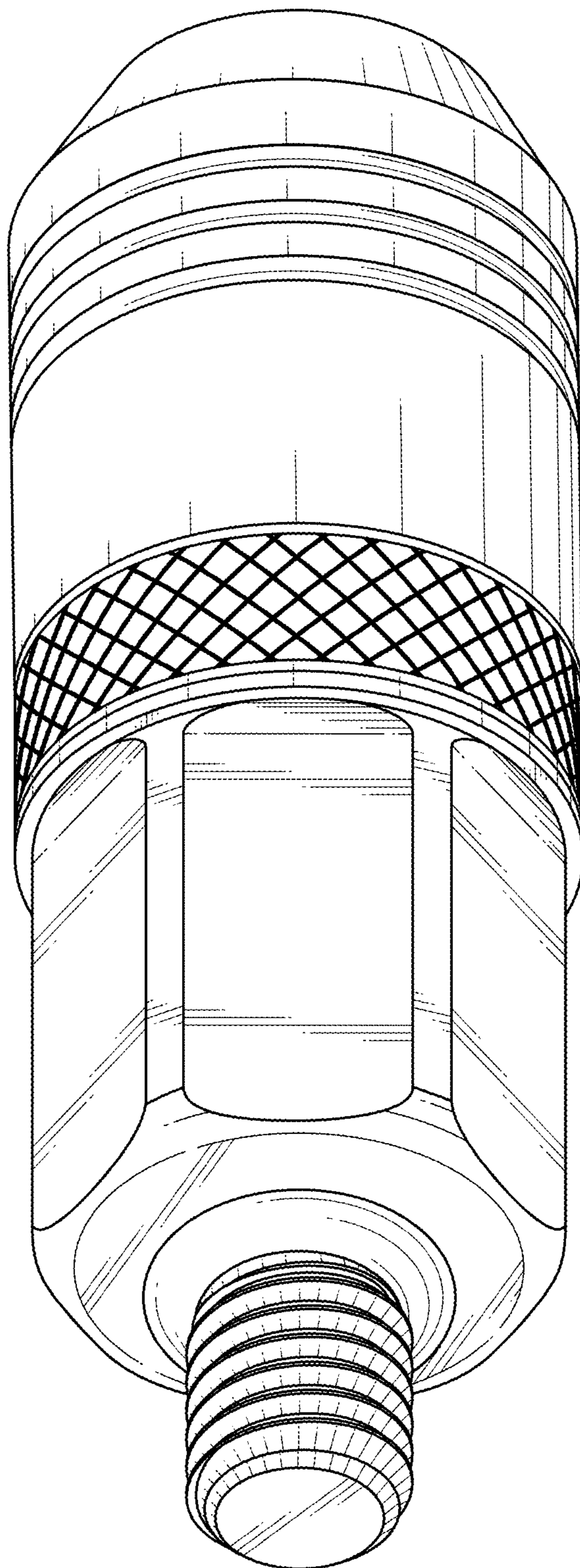


FIG. 2

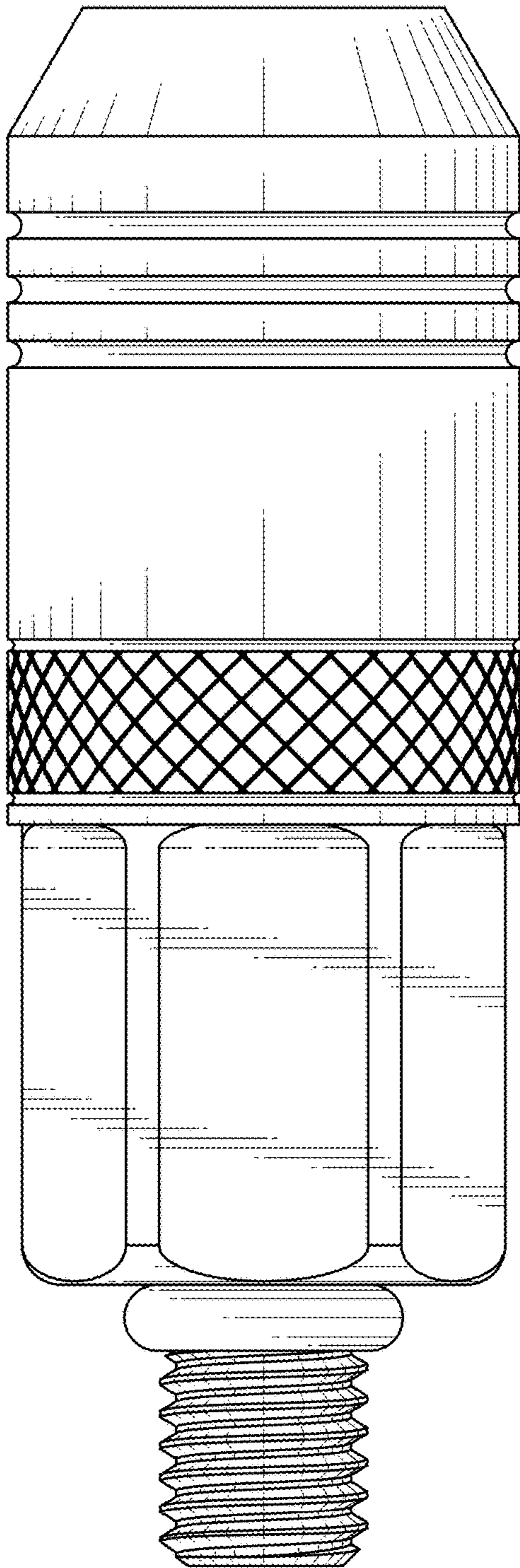


FIG. 3

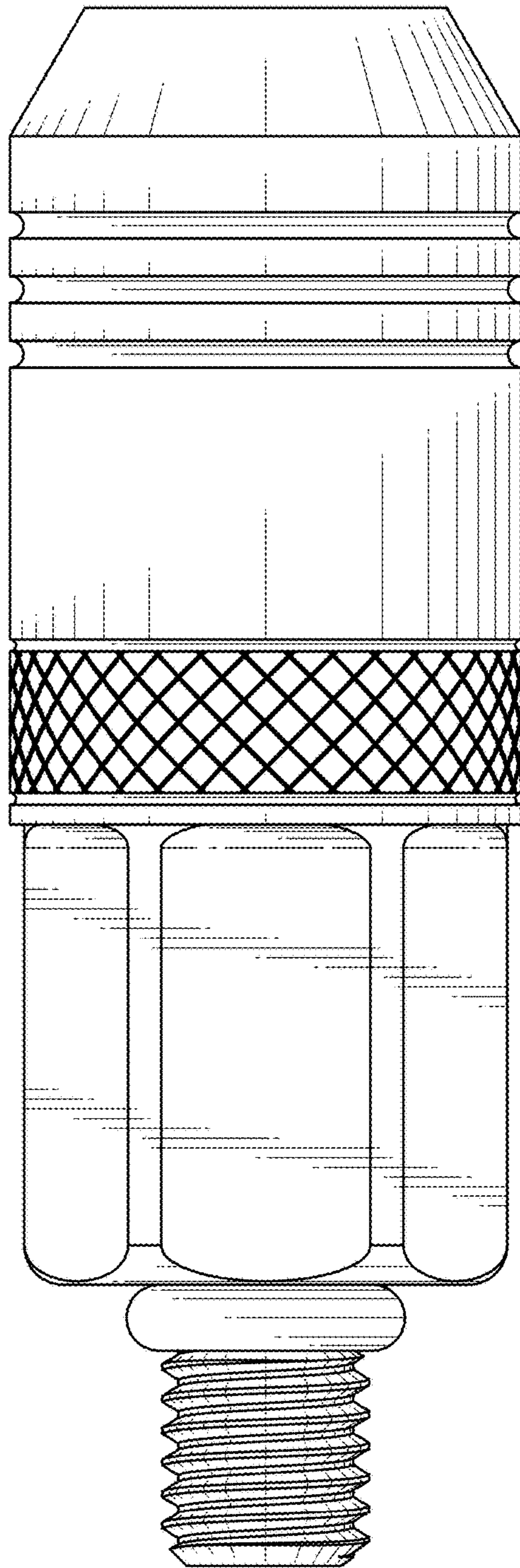


FIG. 4

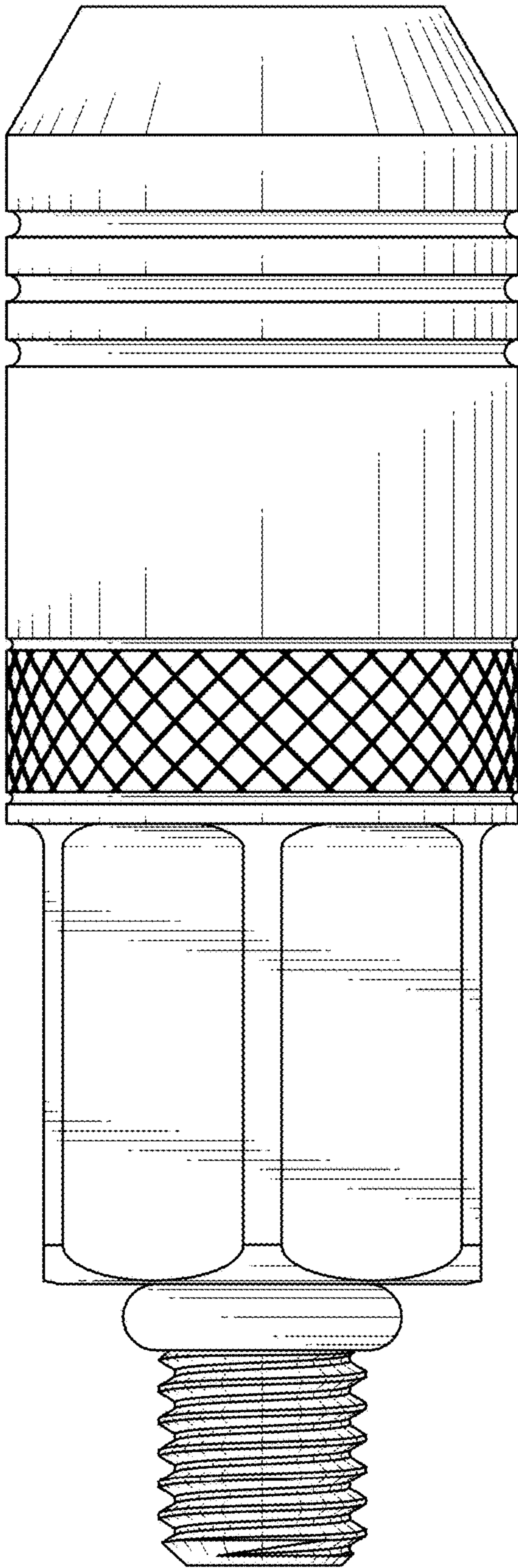


FIG. 5

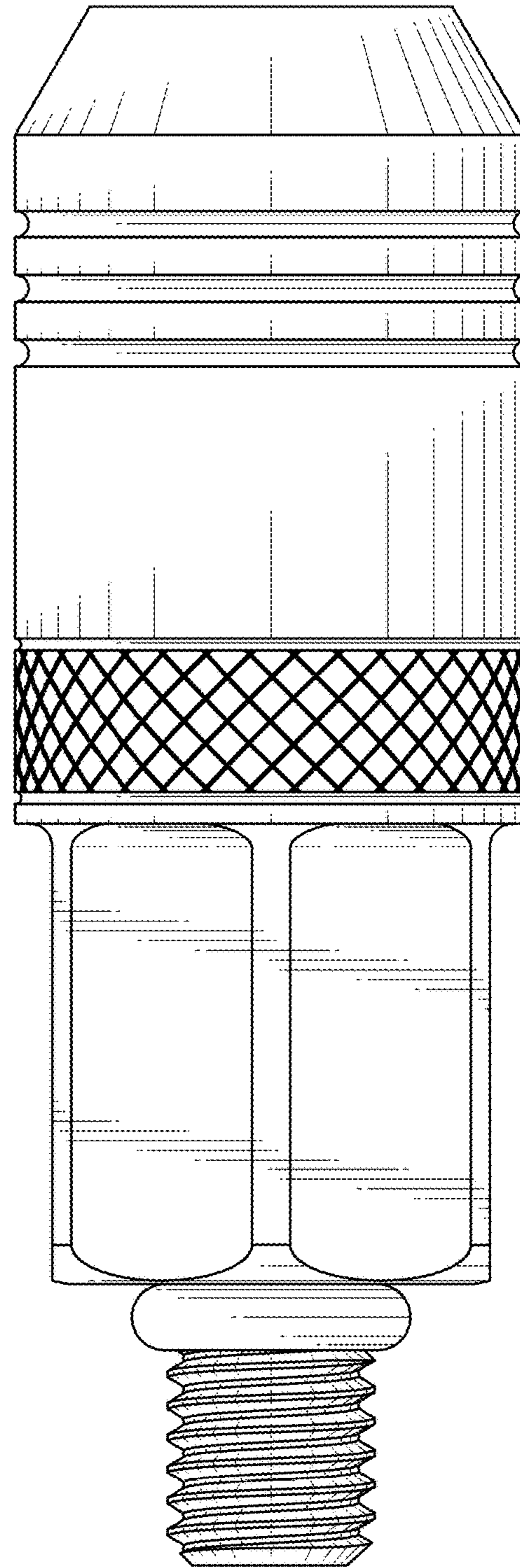


FIG. 6

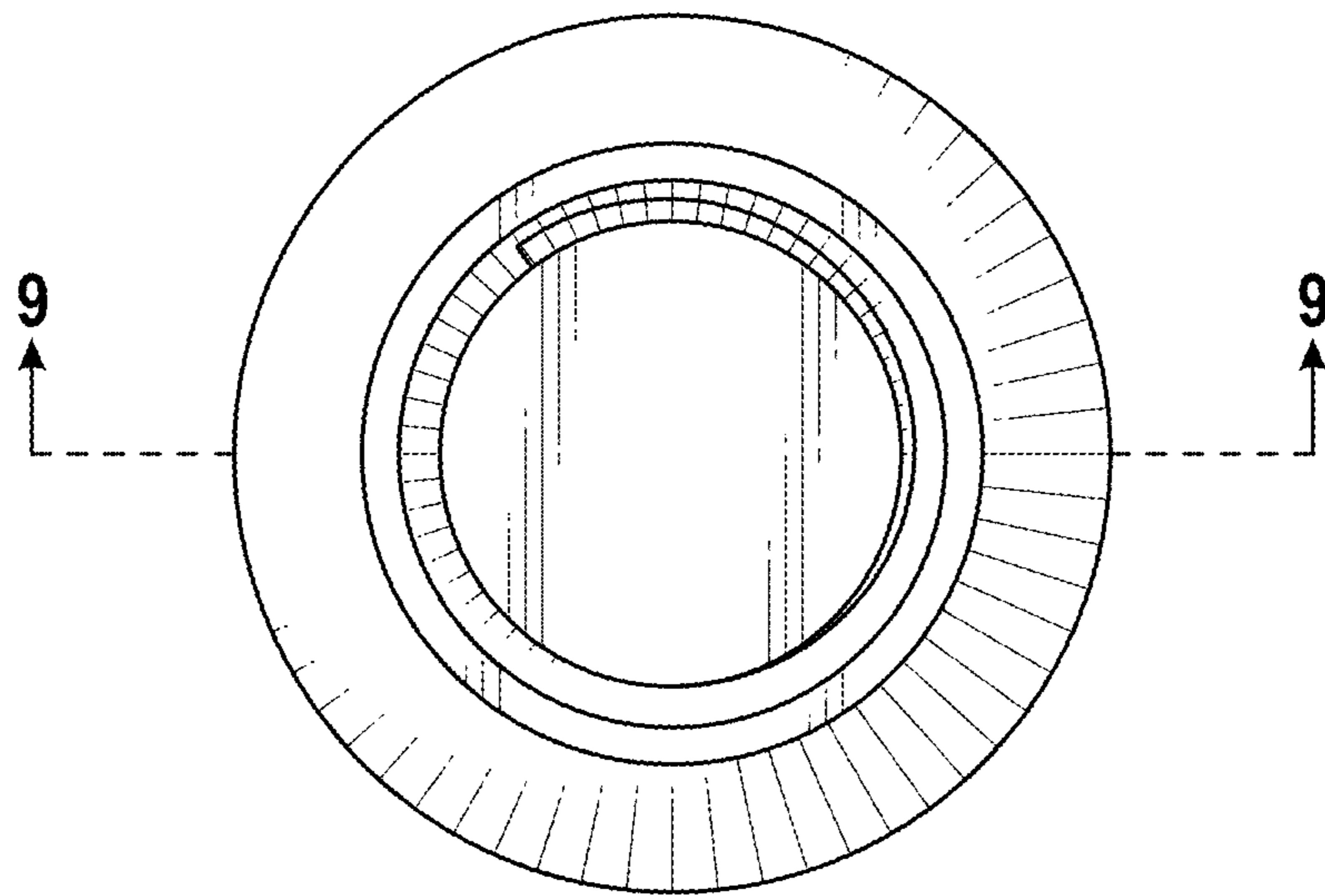


FIG. 7

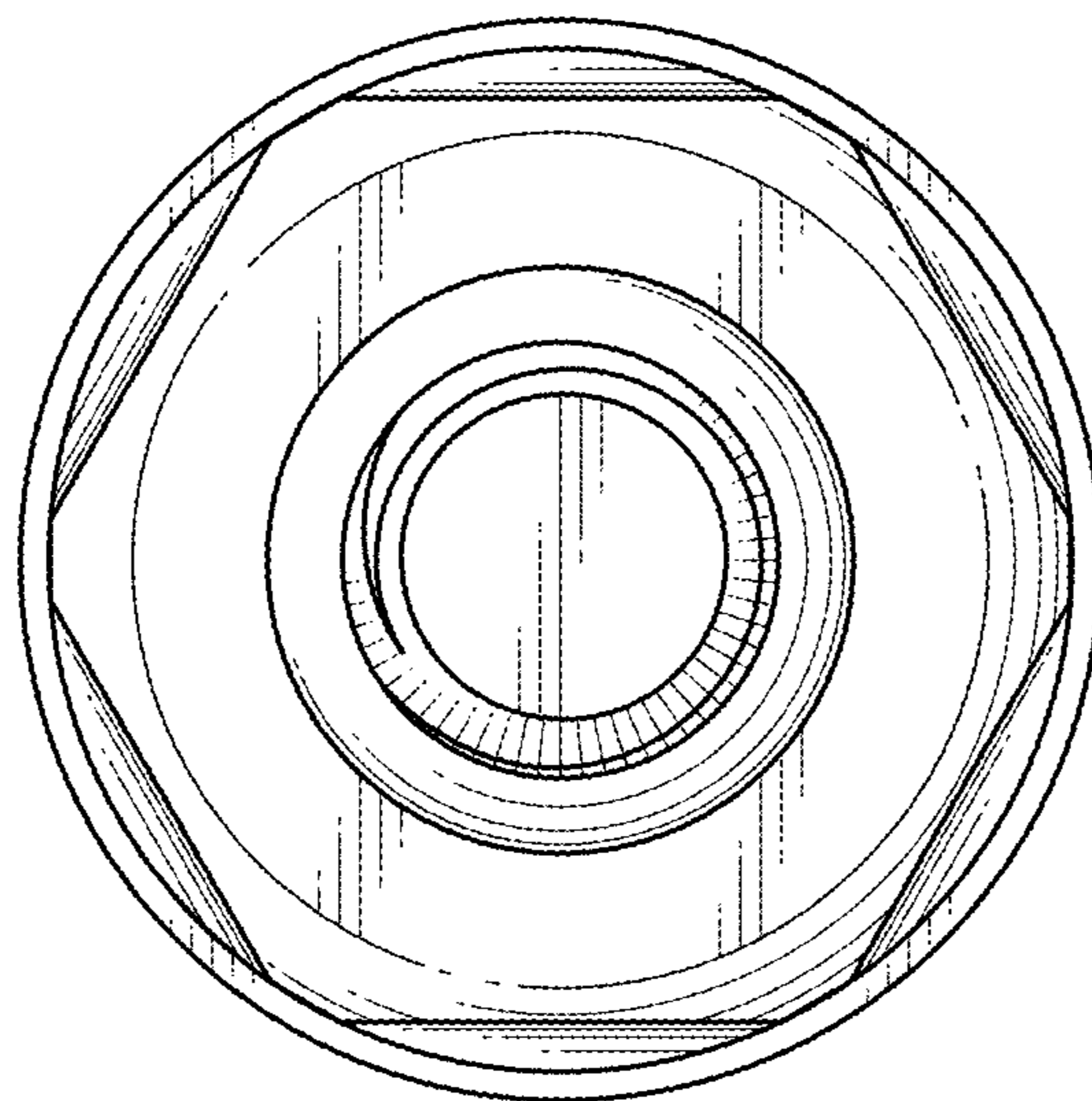


FIG. 8

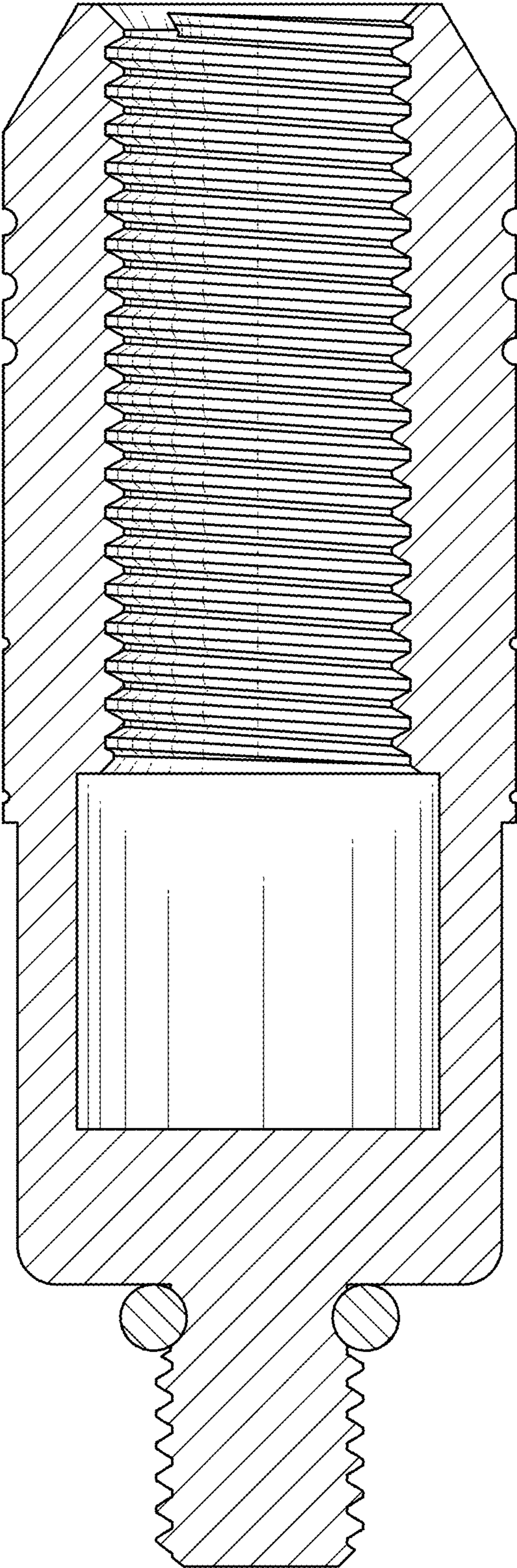


FIG. 9