



US00D781689S

(12) **United States Design Patent** (10) **Patent No.:** **US D781,689 S**  
**Darby** (45) **Date of Patent:** **\*\* Mar. 21, 2017**

- (54) **AIR CONDITIONING WINDOW UNIT CLAMP**
- (71) Applicant: **Nation Wide Products LLC**, Abilene, TX (US)
- (72) Inventor: **Jason Darby**, Abilene, TX (US)
- (73) Assignee: **Nation Wide Products LLC**, Abilene, TX (US)
- (\*\*) Term: **15 Years**
- (21) Appl. No.: **29/564,260**
- (22) Filed: **May 11, 2016**
- (51) **LOC (10) Cl.** ..... **08-05**
- (52) **U.S. Cl.**  
USPC ..... **D8/381**
- (58) **Field of Classification Search**  
USPC ..... D8/380, 381, 349, 366, 382, 394  
CPC ..... F24F 13/32; E05C 19/188  
See application file for complete search history.

- (56) **References Cited**
- U.S. PATENT DOCUMENTS
- |                 |         |              |       |         |
|-----------------|---------|--------------|-------|---------|
| D704,834 S *    | 5/2014  | Bacon        | ..... | D24/128 |
| D705,029 S *    | 5/2014  | Gangakhedkar | ..... | D8/72   |
| D727,716 S *    | 4/2015  | Langle       | ..... | D8/355  |
| D735,017 S *    | 7/2015  | Langle       | ..... | D8/355  |
| D748,197 S *    | 1/2016  | Garfinkle    | ..... | D20/43  |
| D748,733 S *    | 2/2016  | Garfinkle    | ..... | D20/43  |
| 2015/0322701 A1 | 11/2015 | Smith        |       |         |

- OTHER PUBLICATIONS
- AC Clamp. "Way to Secure an Air Conditioner." YouTube (Jun. 24, 2014), <https://www.youtube.com/watch?v=nC0c-diptuc&feature=youtu.be&t=13s>; Screenshot (Last visited Jul. 13, 2016) 1 page.

AC Clamp. "Way to Secure an Air Conditioner." YouTube (Jun. 24, 2014), <https://www.youtube.com/watch?v=nC0c-diptuc&feature=youtu.be&t=21s>; Screenshot (Last visited Jul. 13, 2016) 1 page. Smart Guard, LLC, "A/C Clamp," Product Brochure 2014, (Publicly available prior to May 11, 2016) 1 page.

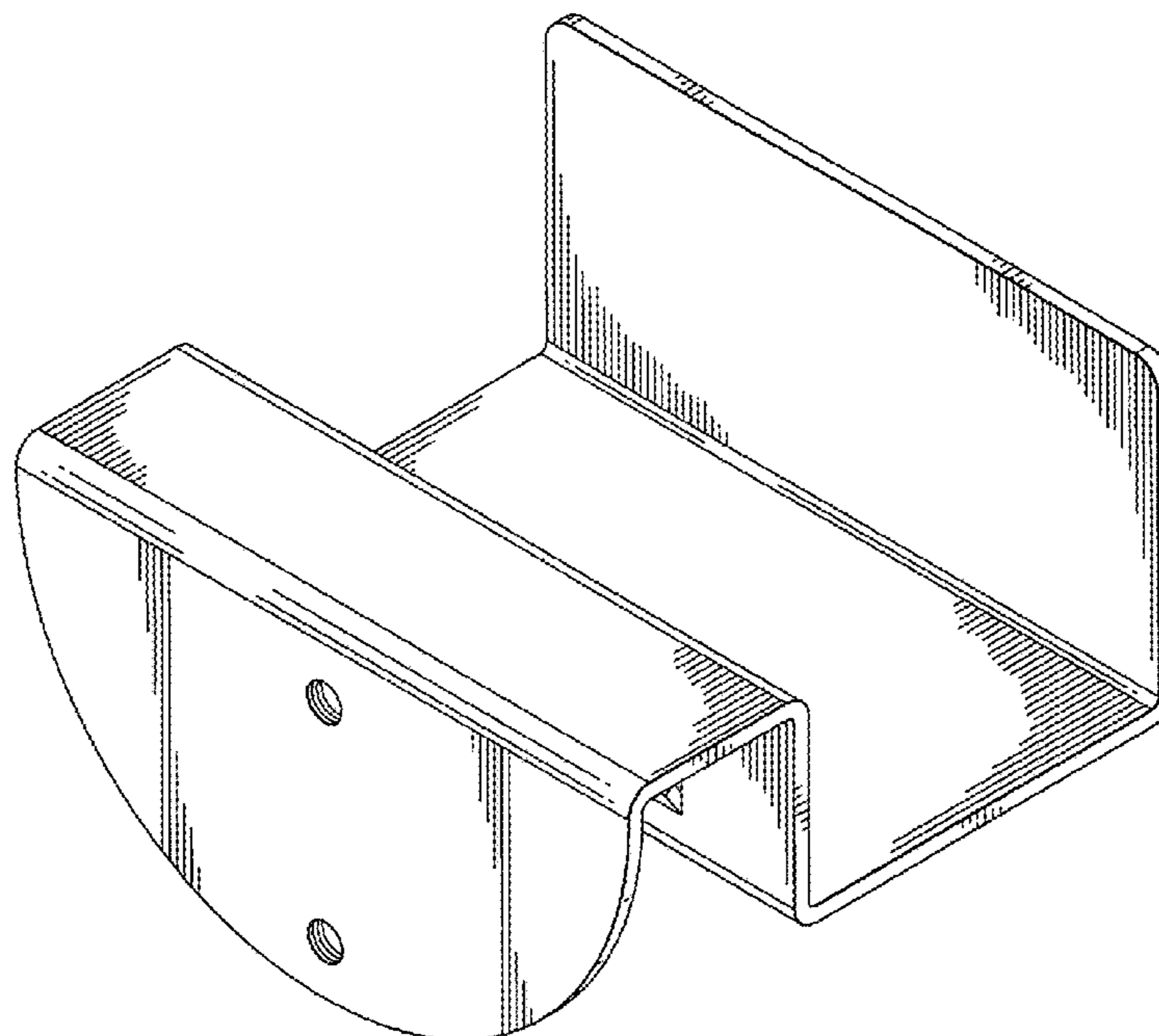
\* cited by examiner  
*Primary Examiner* — Lakiya Rogers  
*Assistant Examiner* — Harold E Blackwell, II  
(74) *Attorney, Agent, or Firm* — Norton Rose Fulbright US LLP

(57) **CLAIM**  
The ornamental design for an air conditioning window unit clamp, as shown and described.

**DESCRIPTION**

FIG. 1 is a front perspective view of an air conditioning window unit clamp showing our new design; FIG. 2 is a front elevation view thereof; FIG. 3 is a back elevation view thereof; FIG. 4 is a right side elevation view thereof; FIG. 5 is a left side elevation view thereof; FIG. 6 is a top plan view thereof; FIG. 7 is a bottom plan view thereof; FIG. 8 is a bottom perspective view thereof; and, FIG. 9 is an environmental view thereof. The broken lines shown in the figures represent unclaimed subject matter and form no part of the claimed design.

**1 Claim, 6 Drawing Sheets**



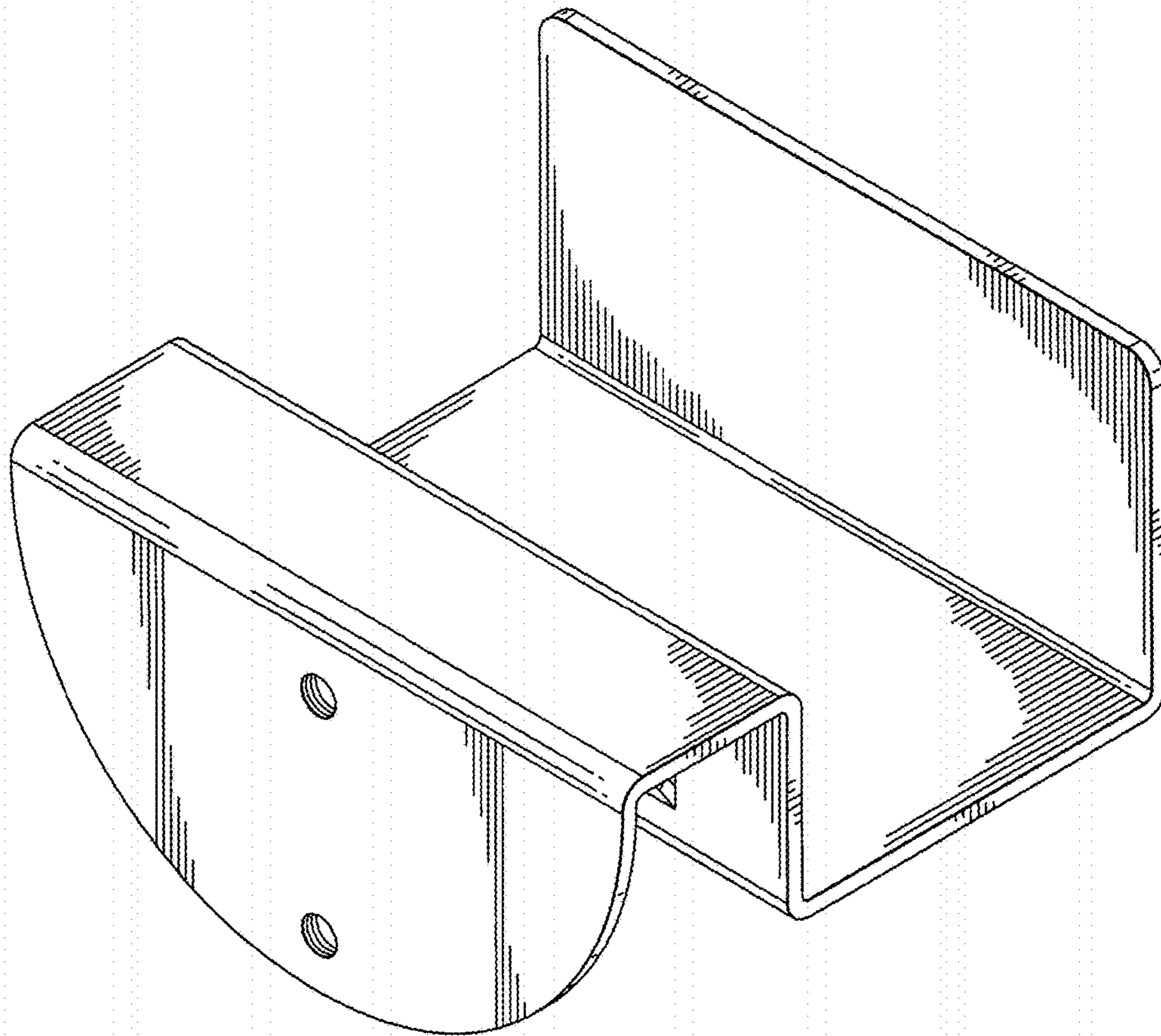


FIG. 1

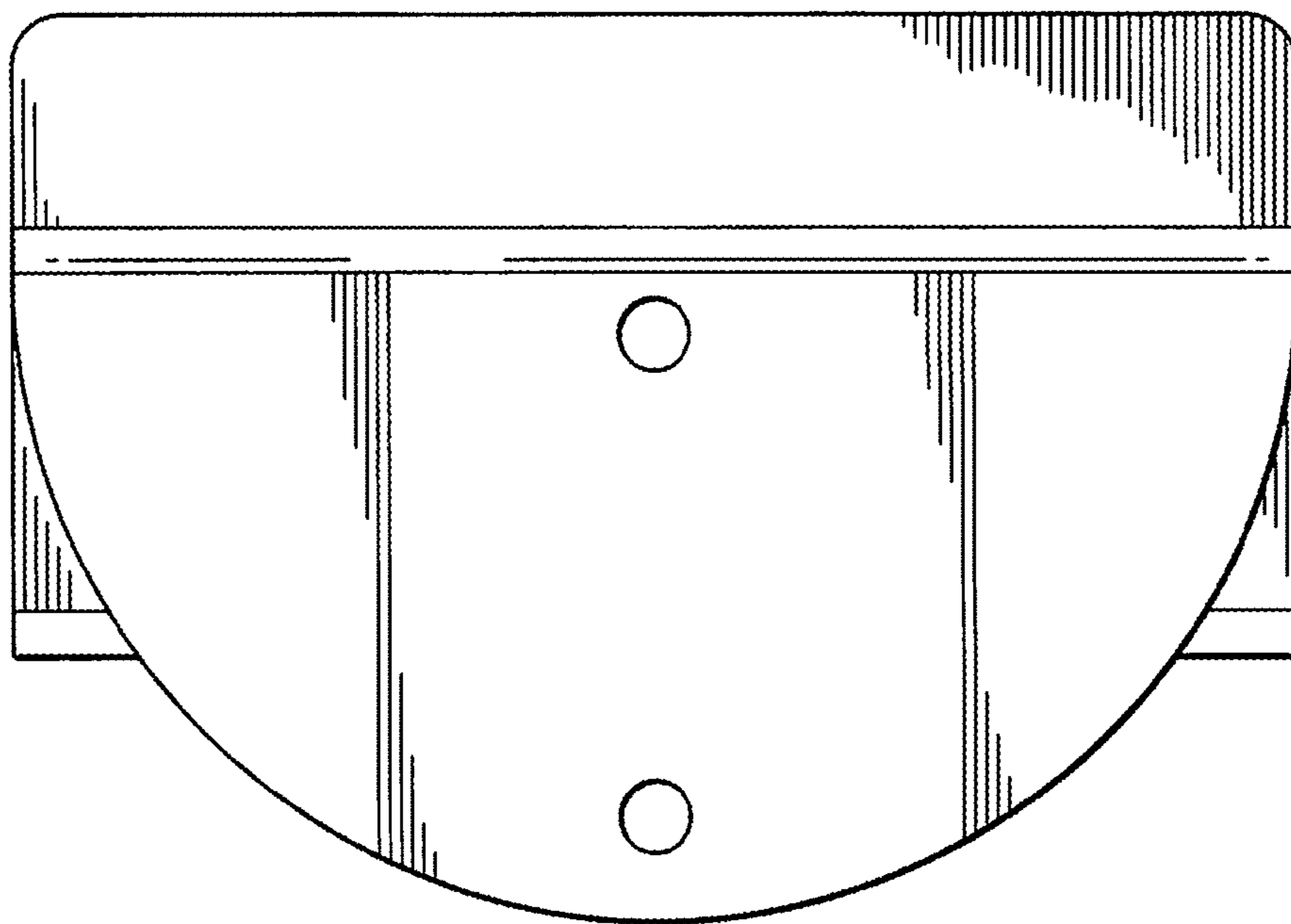


FIG. 2

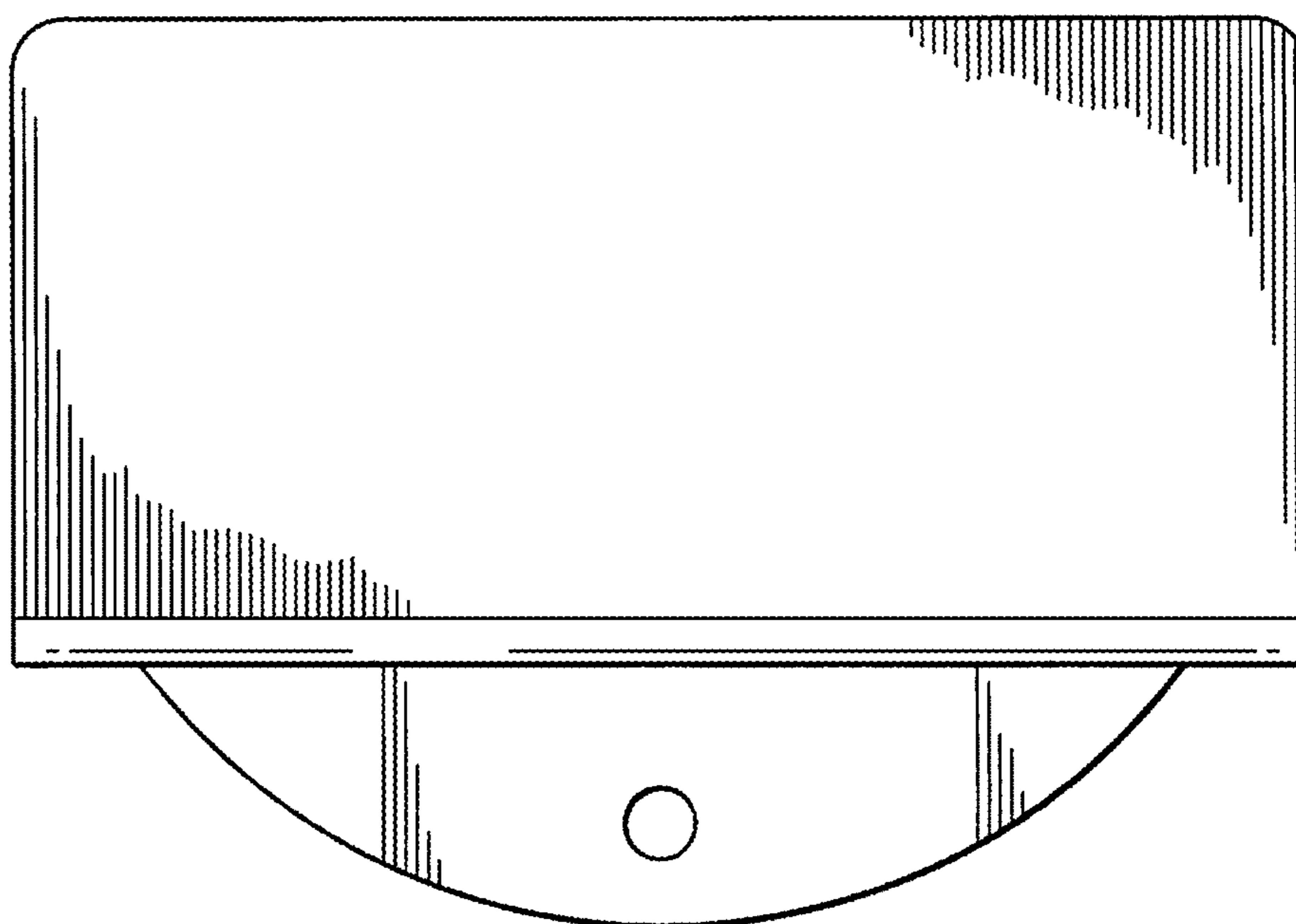


FIG. 3

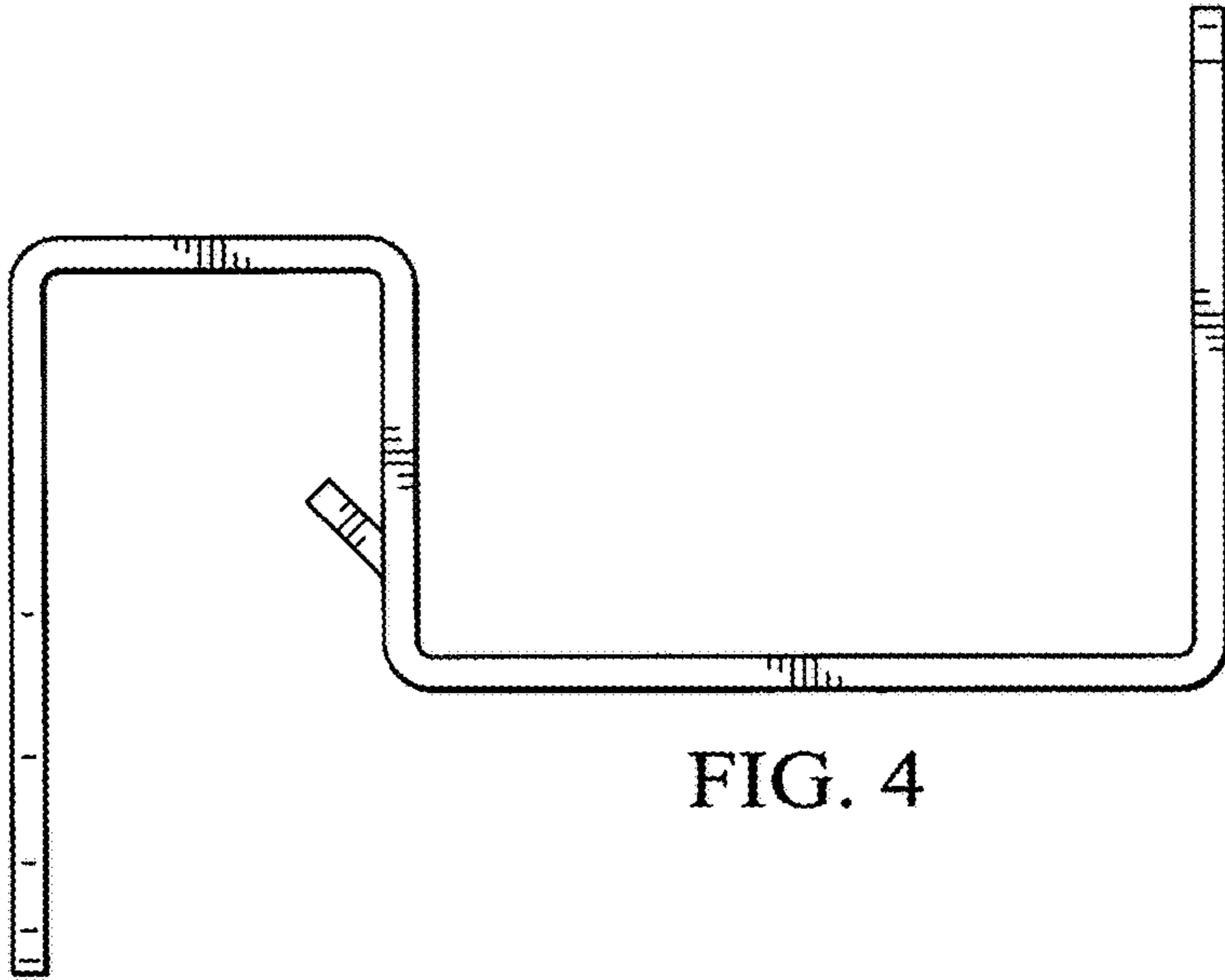


FIG. 4

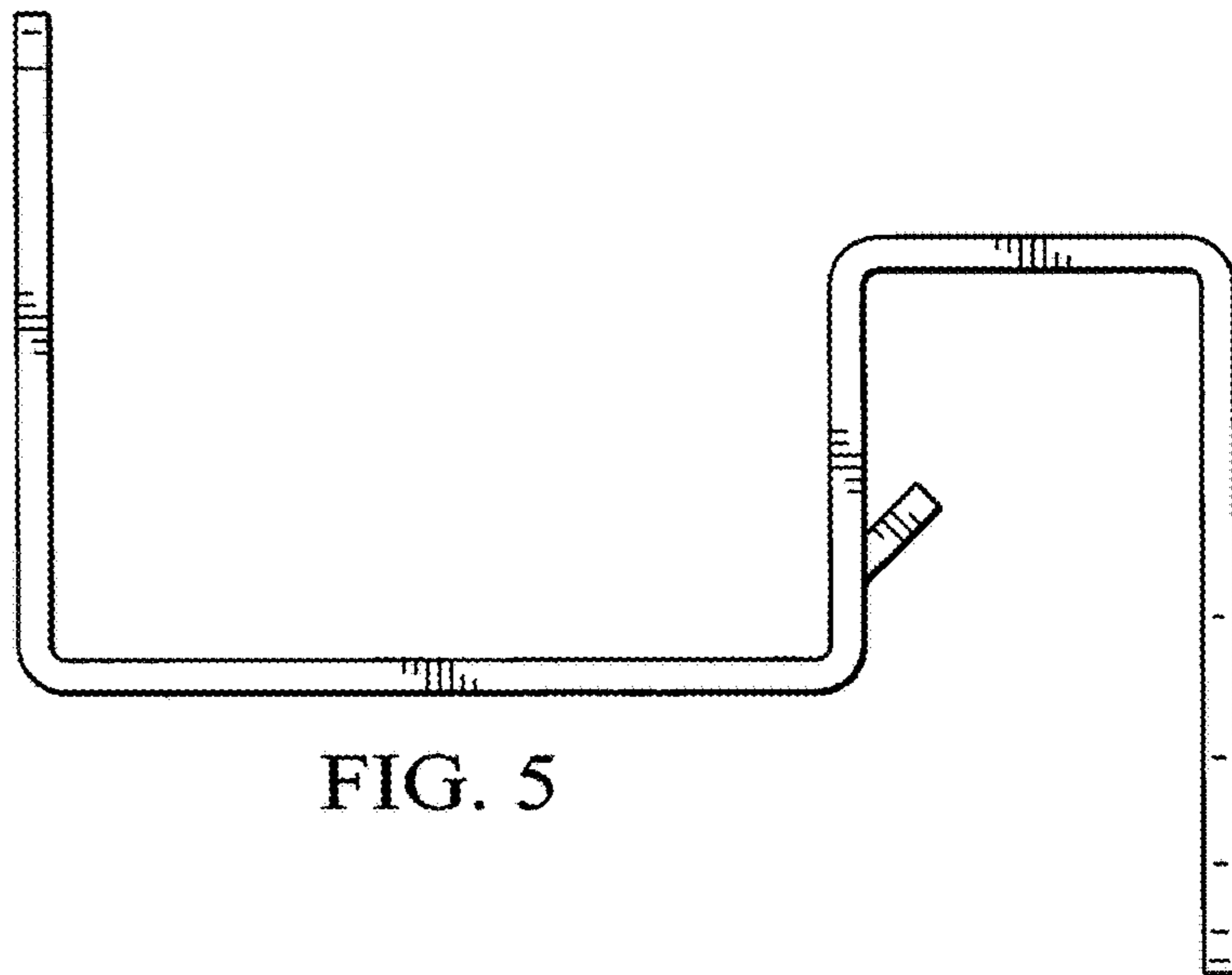


FIG. 5

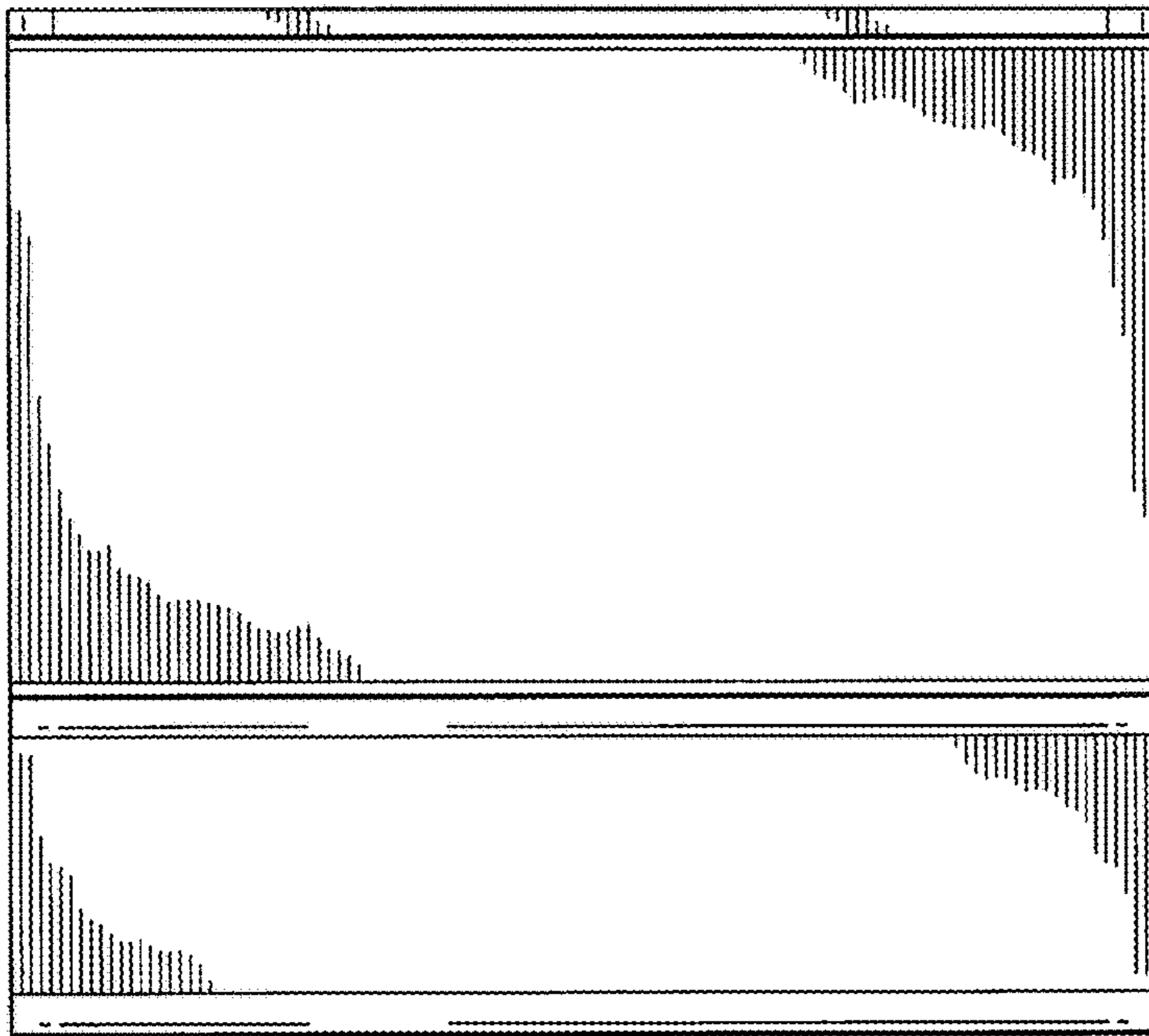


FIG. 6

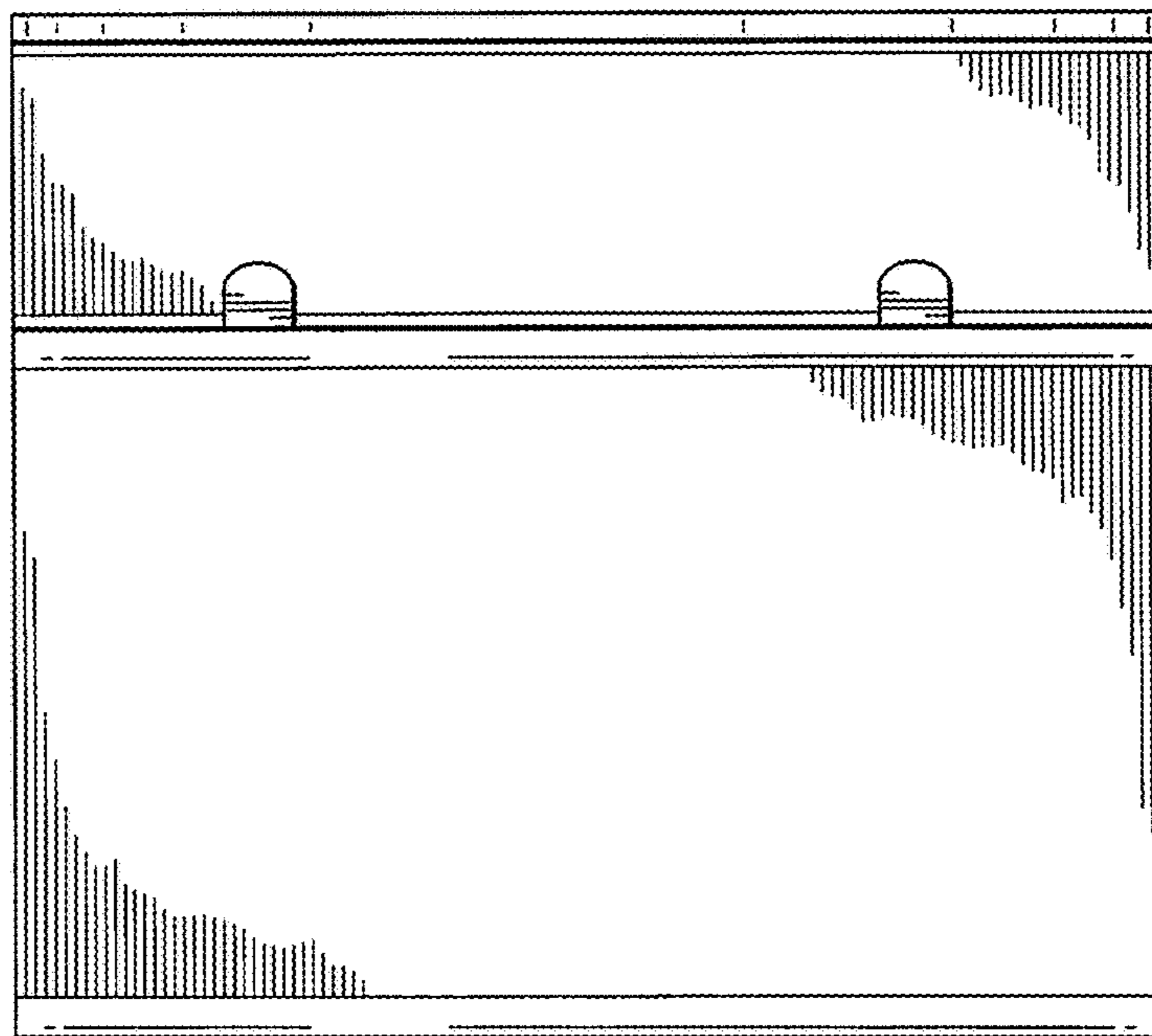


FIG. 7

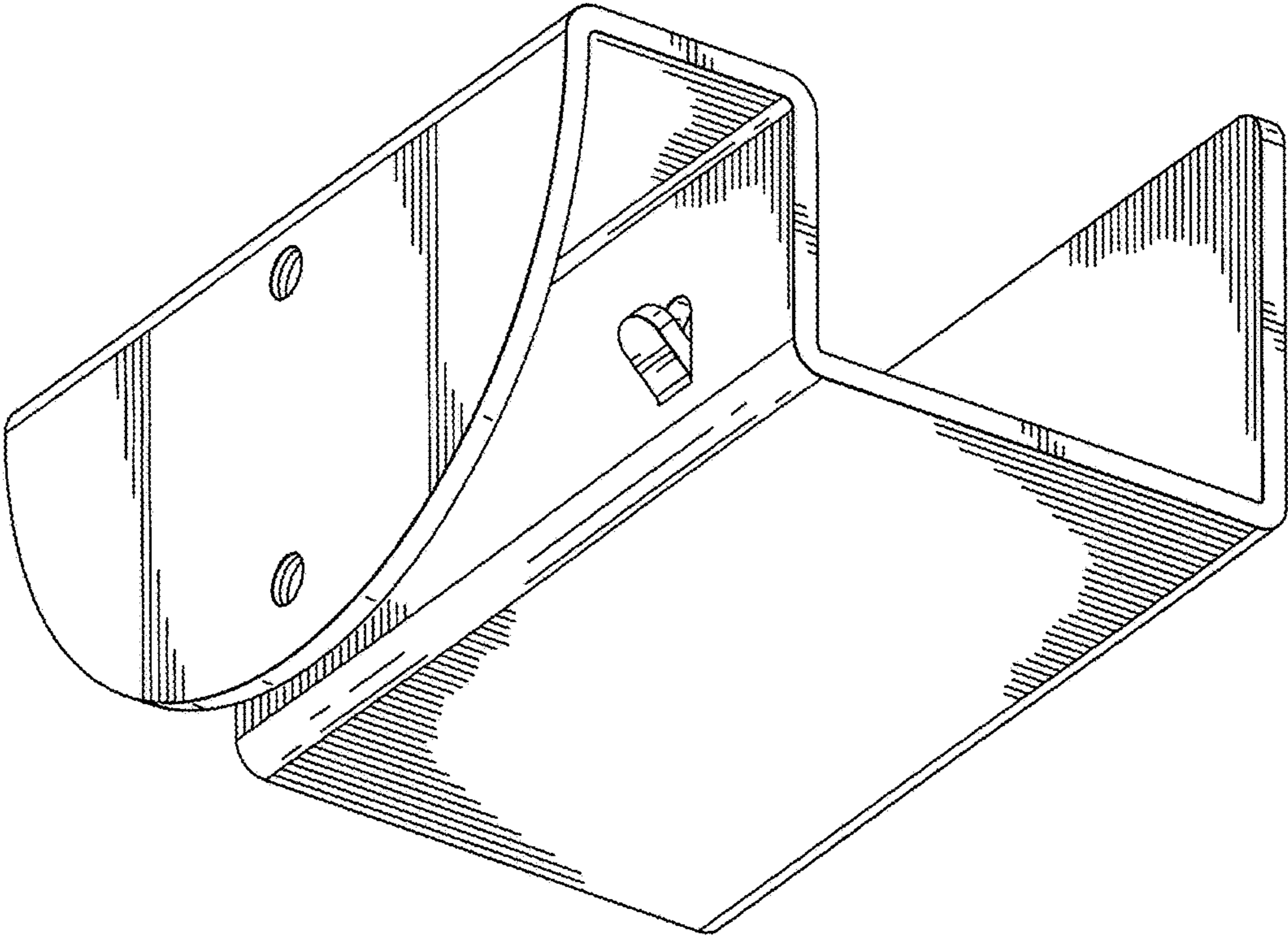


FIG. 8

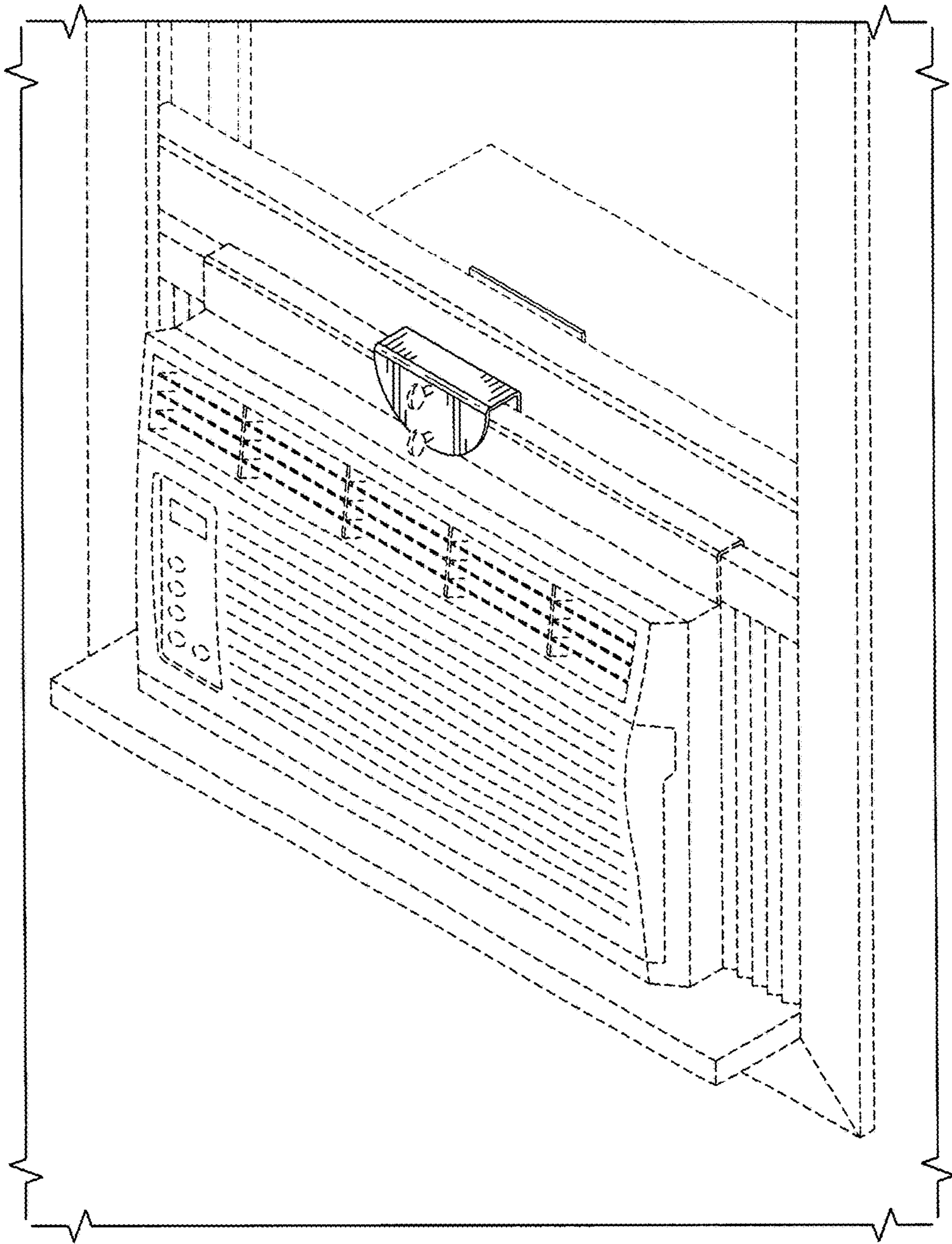


FIG. 9