



US00D781688S

(12) **United States Design Patent**
Honein

(10) **Patent No.:** **US D781,688 S**

(45) **Date of Patent:** **** Mar. 21, 2017**

(54) **HANDRAIL BRACKET**

(71) Applicant: **Jad Honein**, Seattle, WA (US)

(72) Inventor: **Jad Honein**, Seattle, WA (US)

(**) Term: **15 Years**

(21) Appl. No.: **29/532,275**

(22) Filed: **Jul. 3, 2015**

(51) **LOC (10) Cl.** **08-05**

(52) **U.S. Cl.**
USPC **D8/363**

(58) **Field of Classification Search**
USPC D8/16, 19, 349, 354, 355, 363, 364,
D8/370-373, 376, 380, 381, 382,
D8/384-386; D6/553, 550, 323;
D23/223, 238, 252, 257; D11/208;
D20/15, 41, 42; D12/416; D25/38.1, 39,
D25/43; D3/324, 327, 512, 553, 554, 555
CPC E04F 11/1804; E04F 11/1836; A47K
2201/02; E04G 5/14; E04G 21/3233;
E04G 5/145; E04G 21/3223; E04G 5/001;
E04G 5/061; Y10S 16/90; Y10S 256/06;
Y10T 16/50; Y10T 24/4447; Y10T
29/49826; B66B 23/04; B66B 23/22;
B66B 23/24; F21W 2111/08
See application file for complete search history.

(56) **References Cited**

U.S. PATENT DOCUMENTS

D216,458 S *	1/1970	Nestrock	D25/43
D557,049 S *	12/2007	Sedwick	D6/524
D651,068 S *	12/2011	Kang	D8/363
D660,687 S *	5/2012	Fritz	D8/363
D668,490 S *	10/2012	Yoo	D6/524
D699,547 S *	2/2014	Syed	D8/363

D744,321 S *	12/2015	Boynton	D8/363
2015/0204105 A1 *	7/2015	Honein	E04F 11/1834 256/65.07
2015/0361671 A1 *	12/2015	Honein	E04F 11/1804 248/217.4

* cited by examiner

Primary Examiner — Robert M Spear

Assistant Examiner — Eliza Bennett-Hattan

(74) *Attorney, Agent, or Firm* — Seed Intellectual Property Law Group LLP

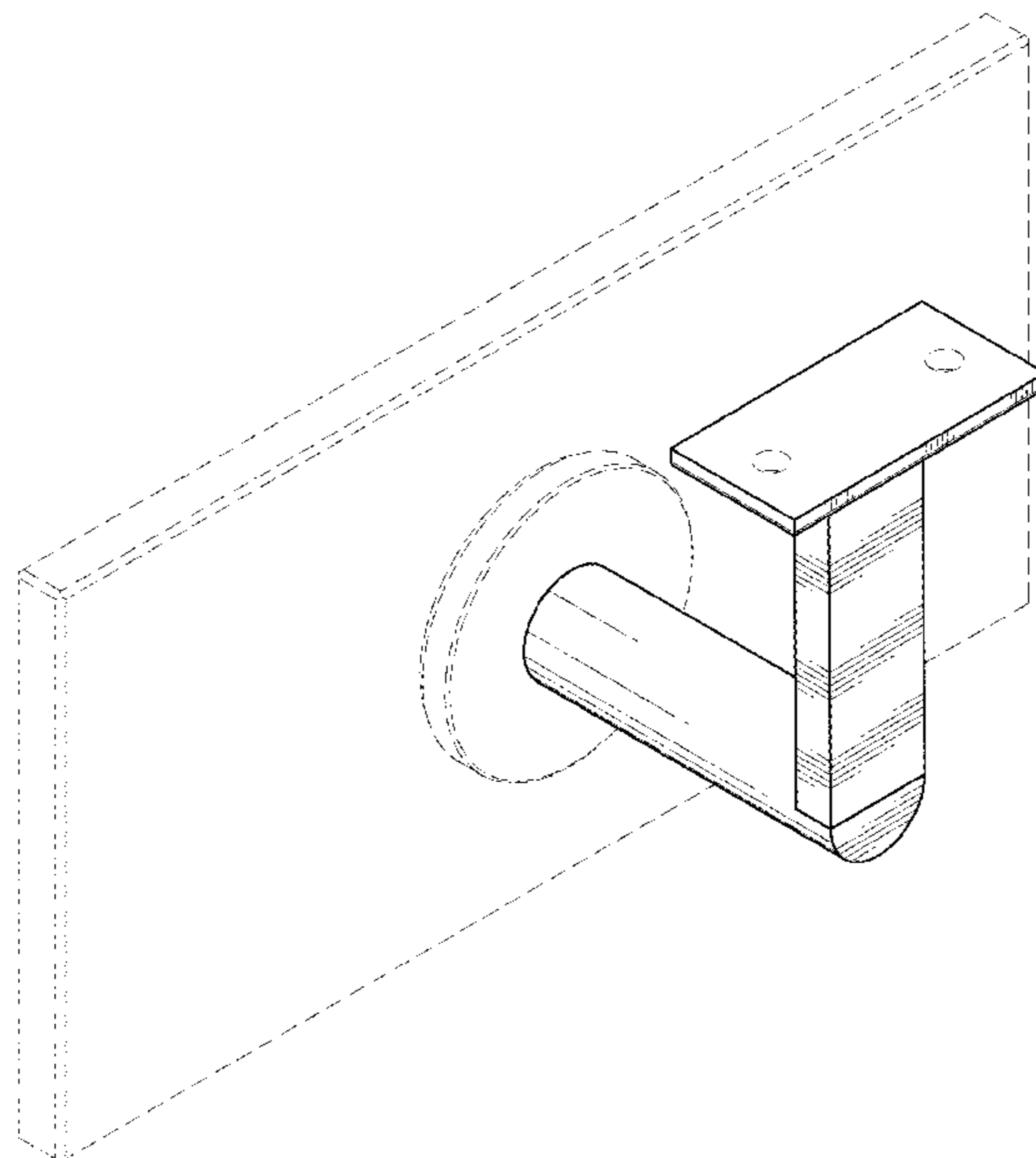
(57) **CLAIM**

The ornamental design for a handrail bracket, as shown and described.

DESCRIPTION

FIG. 1 is an isometric view of a handrail bracket of our new design in an installed environment.
FIG. 2 is an enlarged isometric view of the handrail bracket of FIG. 1.
FIG. 3 is a front elevational view thereof.
FIG. 4 is a back elevational view thereof.
FIG. 5 is a left side elevational view thereof, the right side elevational view is a mirror image of the left side.
FIG. 6 is a bottom plan view thereof; and,
FIG. 7 is a top plan view thereof.
Shading lines shown in the drawings are intended to represent the three-dimensional contour of the design, and are not intended to indicate surface decoration. The broken lines in FIGS. 1, 2, 4, 6, and 7 depict environmental subject matter only and form no part of the claimed design.
Unshaded surfaces form no part of the claim.

1 Claim, 5 Drawing Sheets



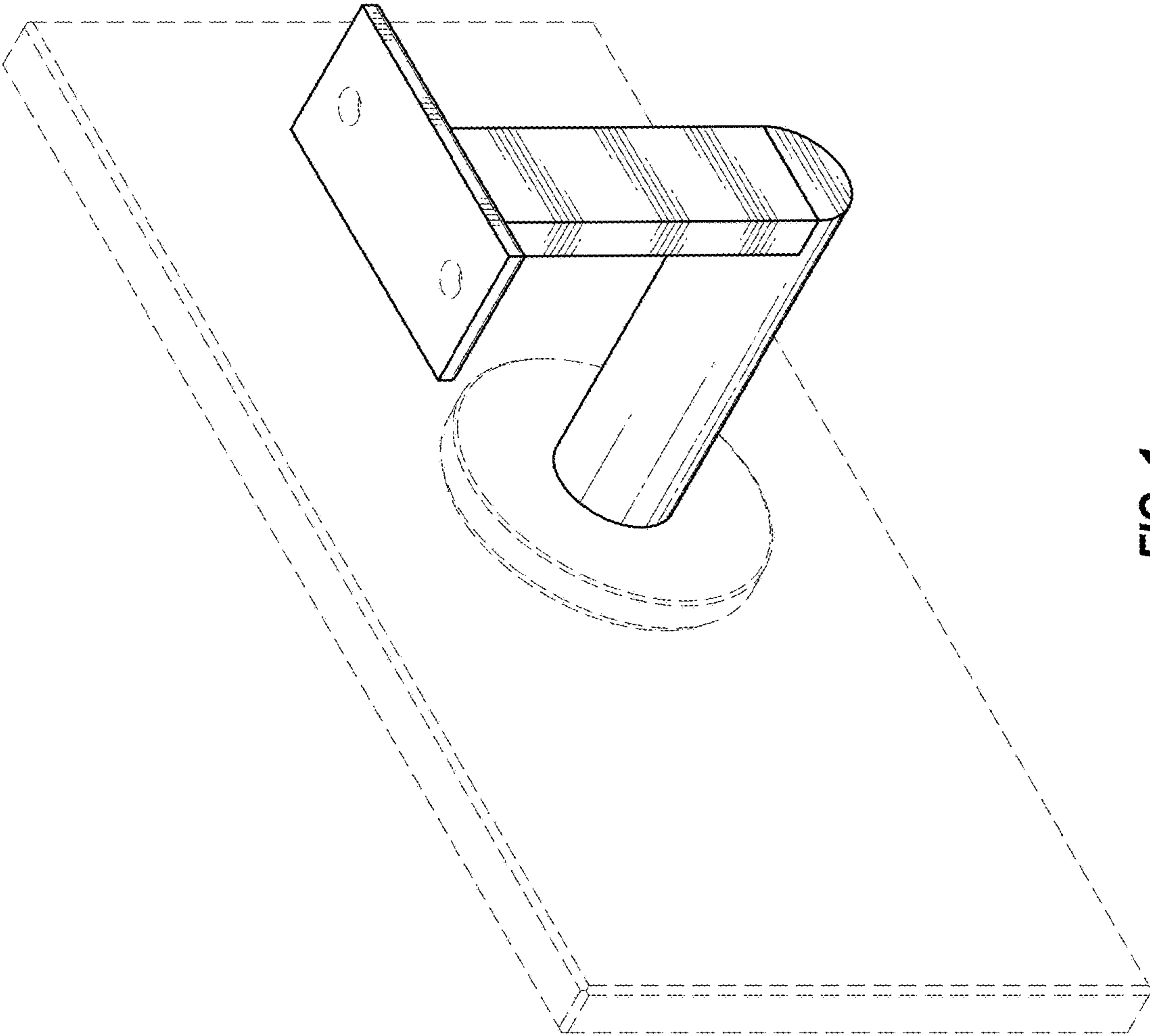


FIG. 1

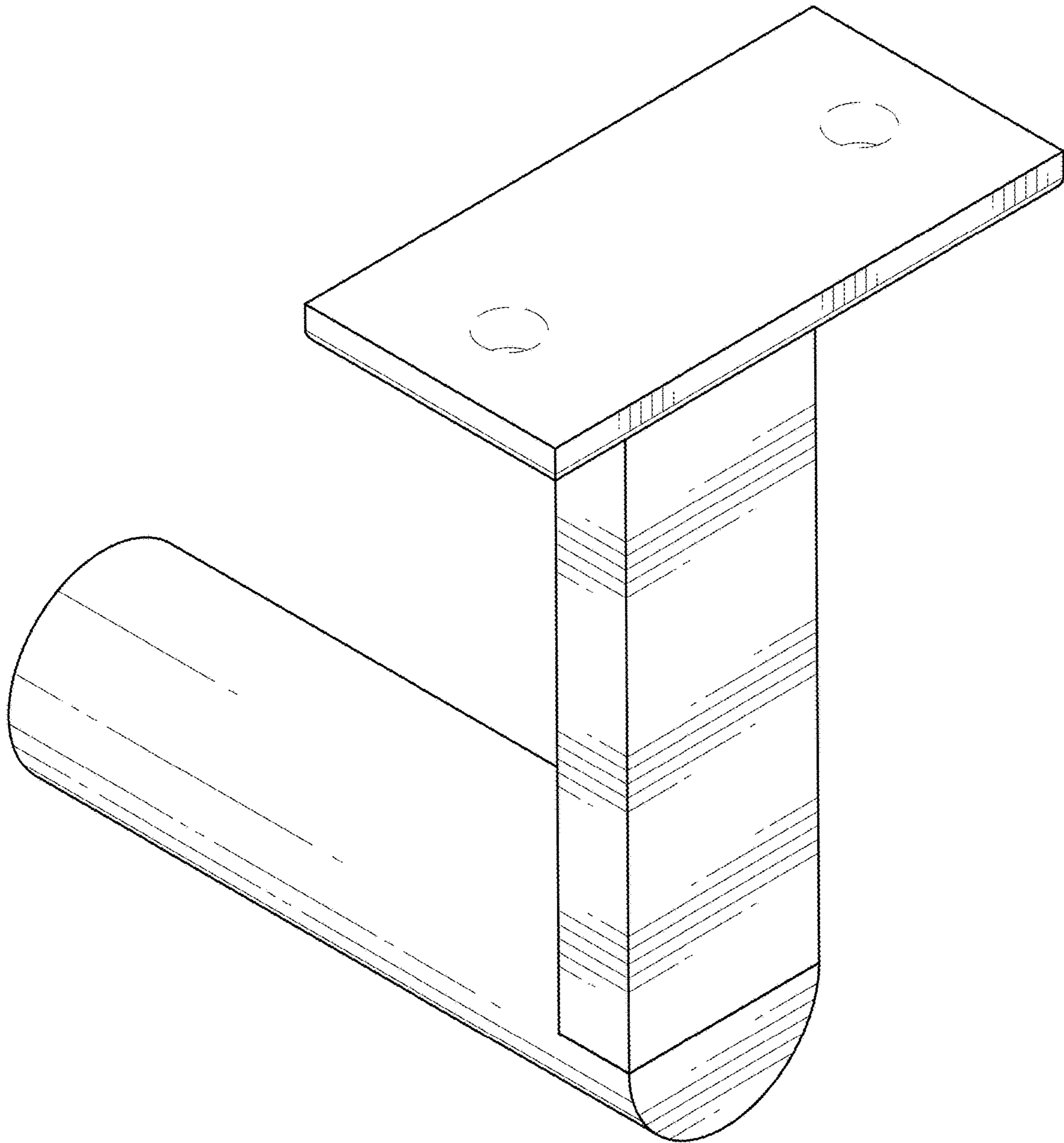


FIG. 2

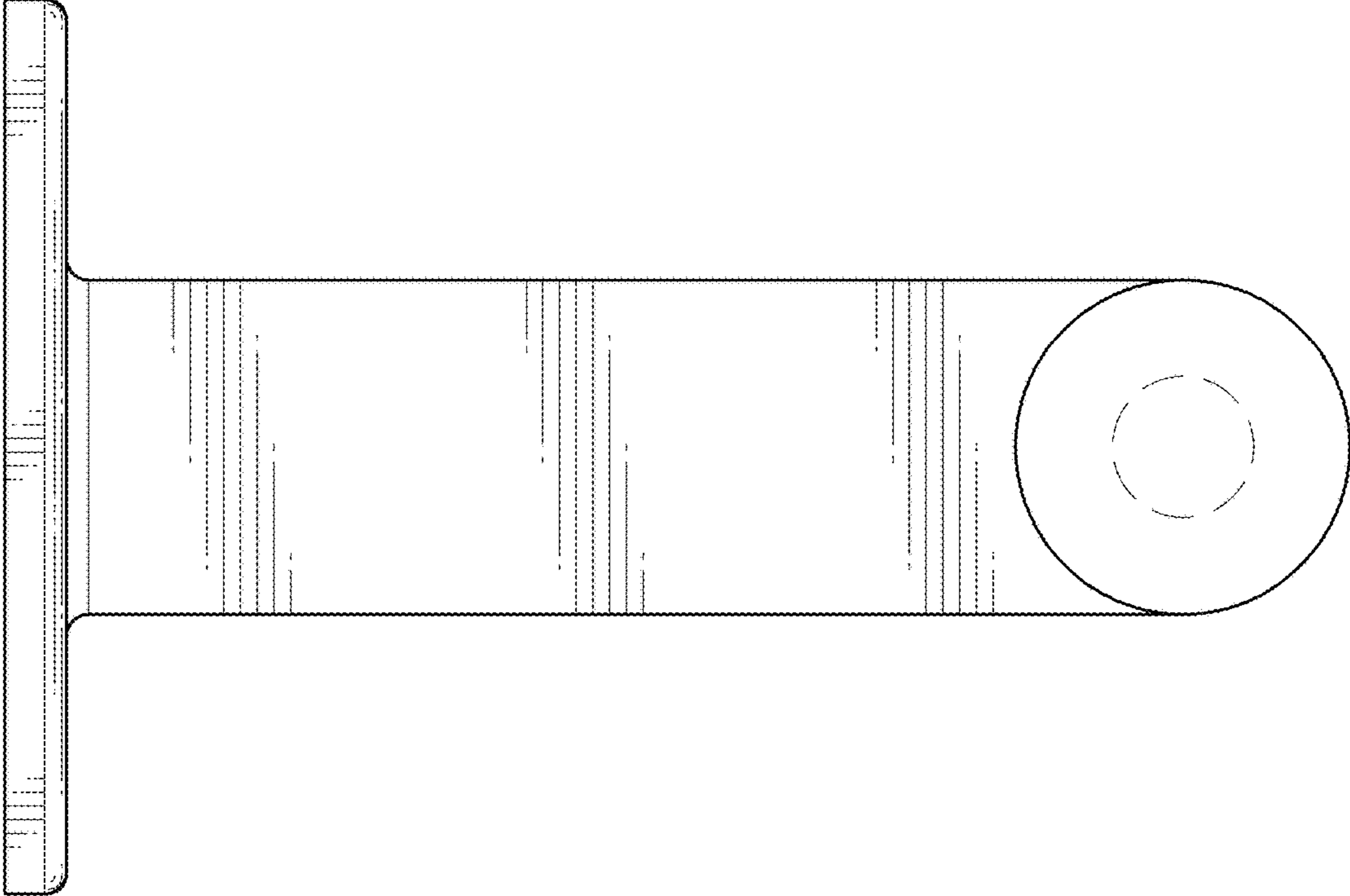


FIG. 3

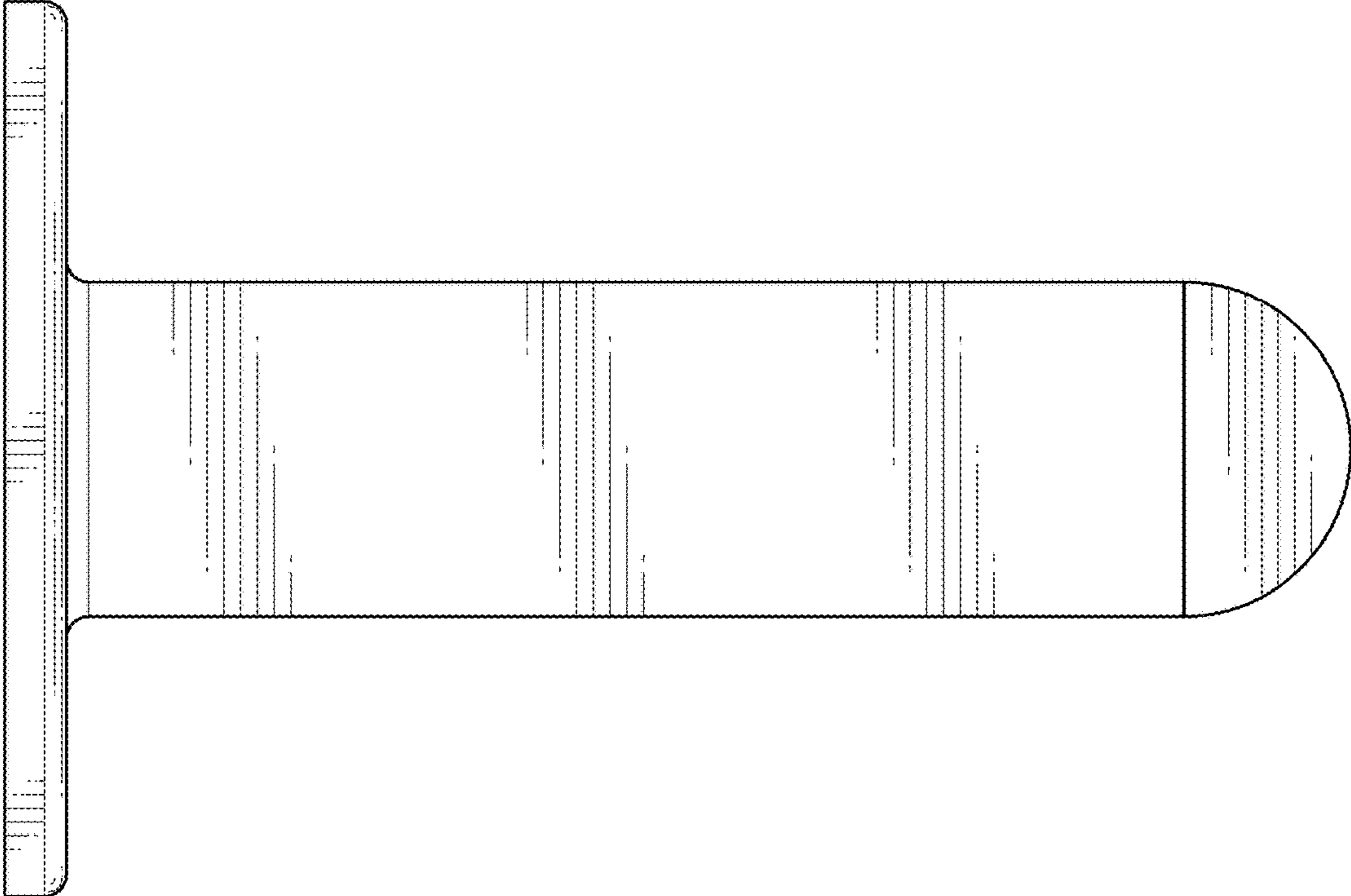


FIG. 4

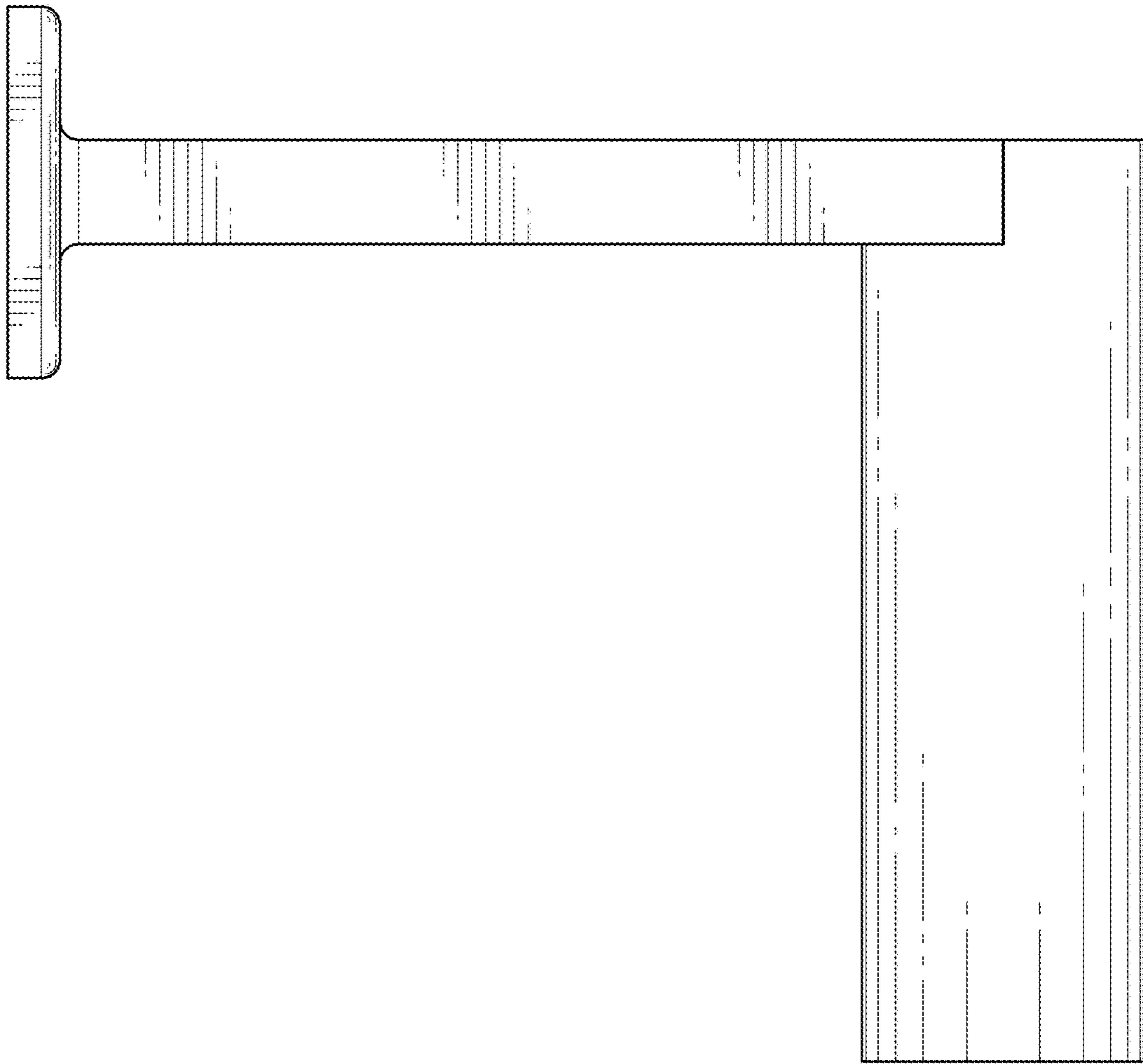


FIG. 5

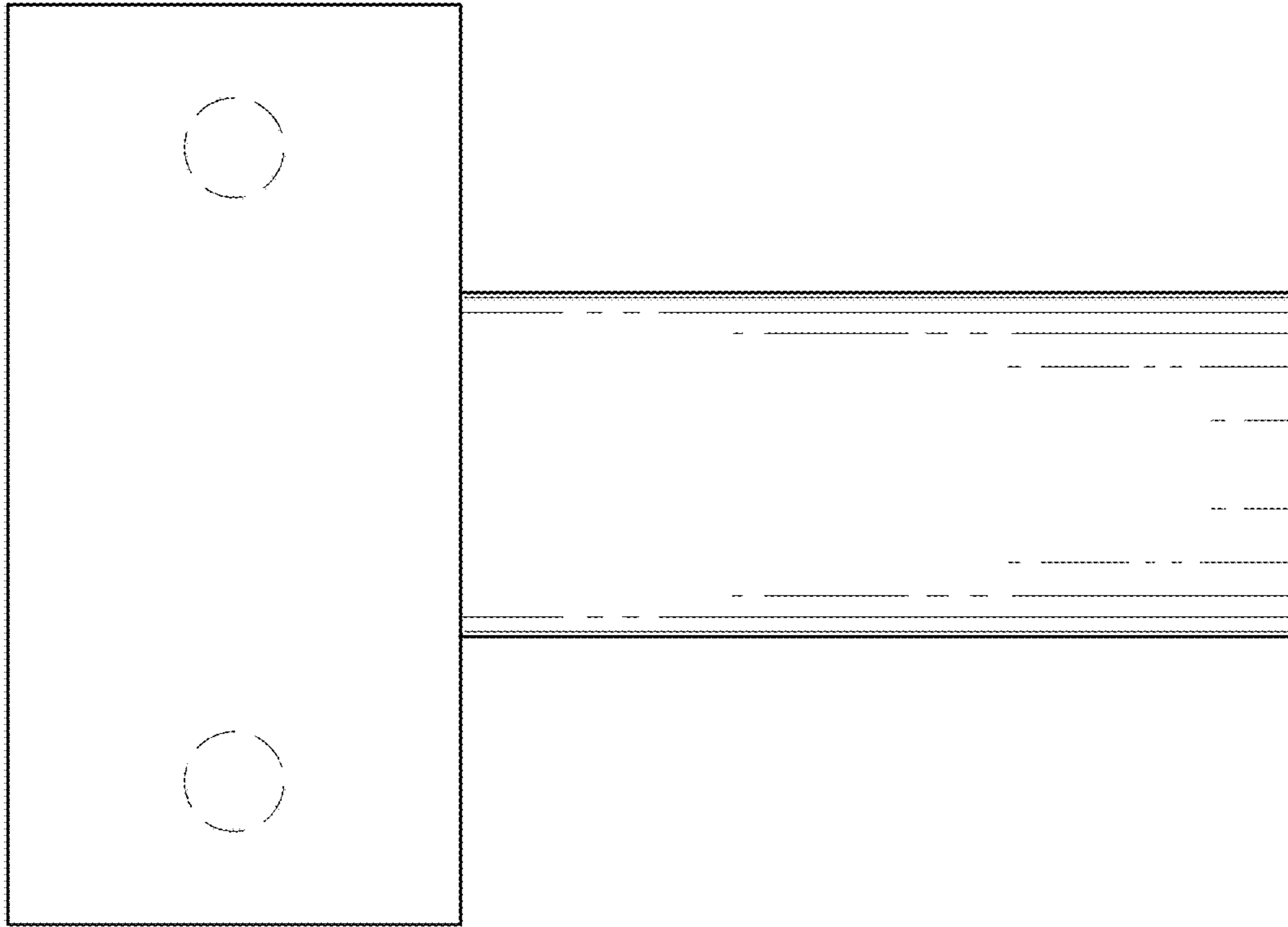


FIG. 7

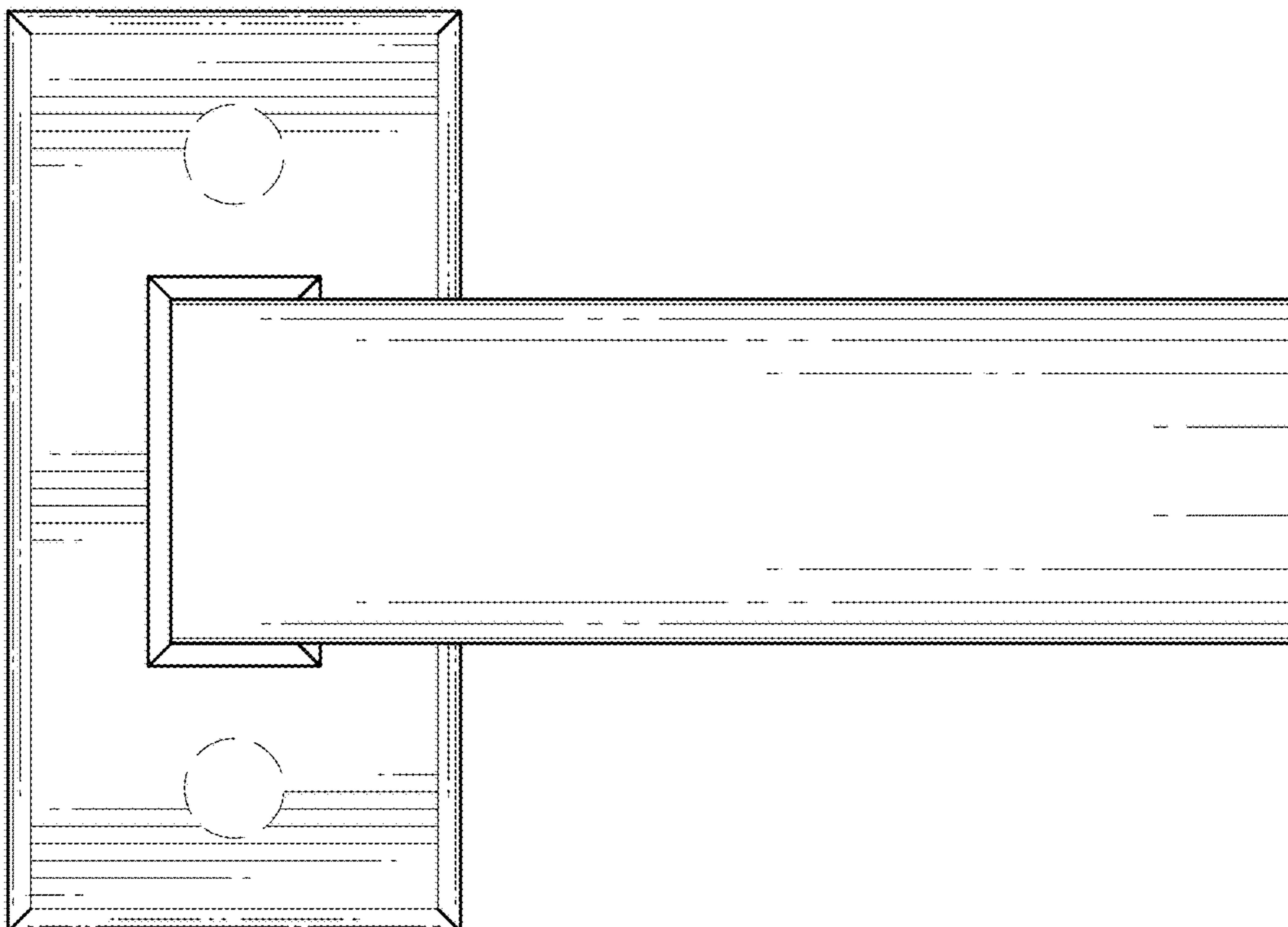


FIG. 6