



US00D781686S

(12) **United States Design Patent** (10) **Patent No.:** **US D781,686 S**  
**Rothbaum et al.** (45) **Date of Patent:** **\*\* Mar. 21, 2017**

(54) **STRAP FOR CORD MANAGEMENT**

(71) Applicant: **CJD LLC**, New York, NY (US)

(72) Inventors: **Wayne Philip Rothbaum**, New York, NY (US); **Allison S. Conner**, Brooklyn, NY (US); **Robert B. Curtis**, San Francisco, CA (US); **Jonas K. Damon**, New York, NY (US); **Daniel A. Sanchez**, Brooklyn, NY (US)

(73) Assignee: **CJD LLC**, New York, NY (US)

(\*\*) Term: **15 Years**

(21) Appl. No.: **29/546,848**

(22) Filed: **Nov. 25, 2015**

**Related U.S. Application Data**

(63) Continuation of application No. 29/519,750, filed on Mar. 6, 2015, now Pat. No. Des. 747,178, which is a (Continued)

(51) **LOC (10) Cl.** ..... **08-05**

(52) **U.S. Cl.**  
USPC ..... **D8/356**

(58) **Field of Classification Search**  
USPC ..... D8/356, 354, 349; 381/384  
(Continued)

(56) **References Cited**

**U.S. PATENT DOCUMENTS**

535,502 A 3/1895 Knighton  
D39,960 S 5/1909 Mussillon  
(Continued)

**FOREIGN PATENT DOCUMENTS**

CN 201352845 Y 11/2009  
GB 2420552 A 5/2006  
(Continued)

**OTHER PUBLICATIONS**

CJD LLC, International Search Report and Written Opinion, PCT/US2010/031087, Apr. 29, 2011, 24 pgs.

(Continued)

*Primary Examiner* — Cynthia Underwood

(74) *Attorney, Agent, or Firm* — Morgan, Lewis & Bockius LLP

(57) **CLAIM**

The ornamental design for a strap for cord management, as shown and described.

**DESCRIPTION**

The present application relates to U.S. utility patent application Ser. No. 12/761,326, filed Apr. 15, 2010, to U.S. design patent application Ser. No. 29/368,746, filed Aug. 27, 2010, and U.S. design patent application Ser. No. 29/368,754, filed Aug. 27, 2010.

FIG. 1 is a perspective view of our new design of a strap for cord management.

FIG. 2 is a top view of FIG. 1.

FIG. 3 is a bottom view of FIG. 1.

FIG. 4 is a view of a first side of FIG. 1.

FIG. 5 is a view of a second side of FIG. 1.

FIG. 6 is a view of a third side of FIG. 1.

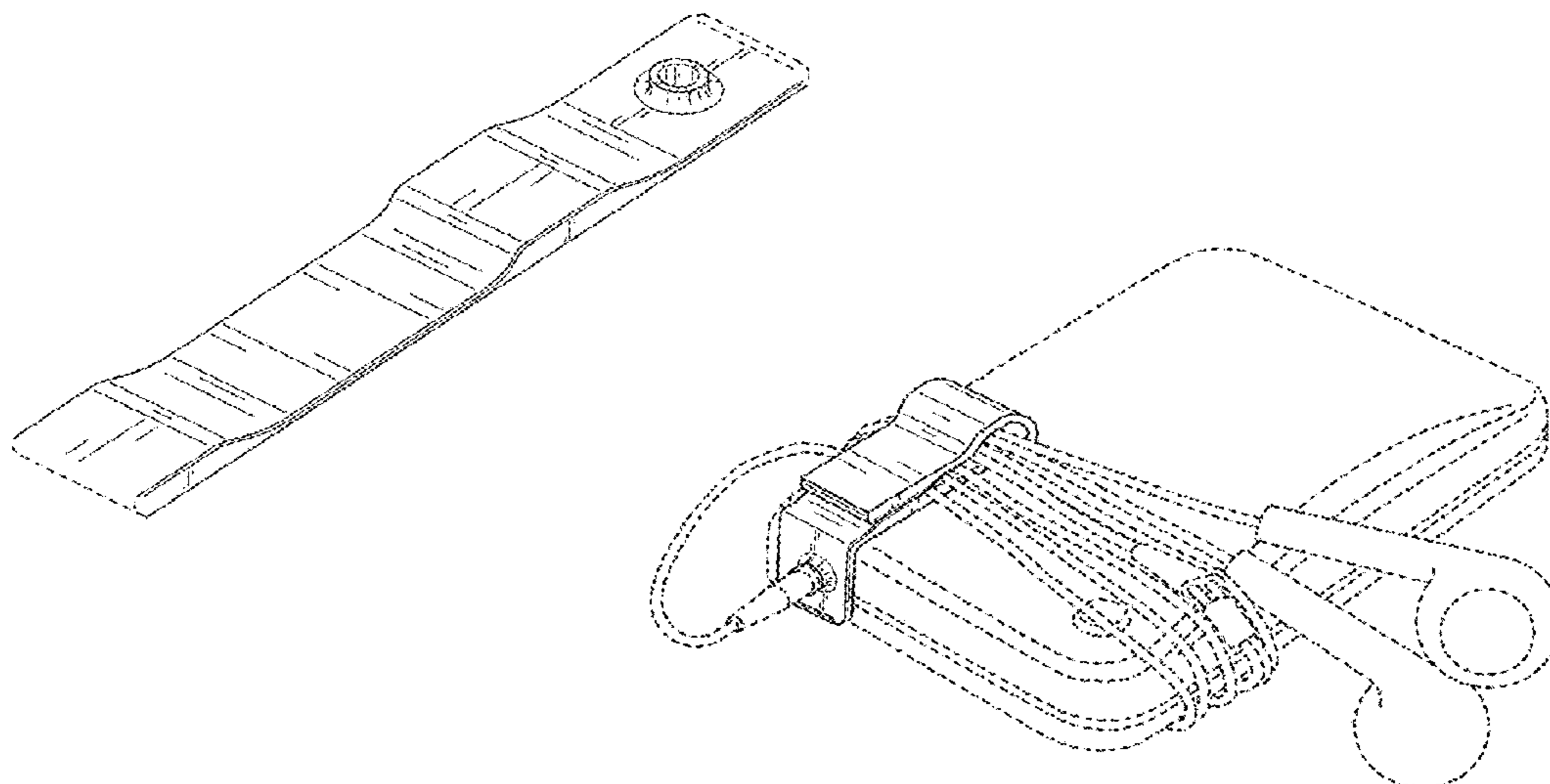
FIG. 7 is a view of a fourth side of FIG. 1.

FIG. 8 is a perspective view of FIG. 1 shown in an alternate configuration of use in an environment of use; and,

FIG. 9 is another perspective view of FIG. 1 shown in another alternate configuration of use in an environment of use.

The broken lines represent an environment of use that forms no part of the claim.

**1 Claim, 6 Drawing Sheets**



**Related U.S. Application Data**

continuation of application No. 29/491,146, filed on May 16, 2014, now Pat. No. Des. 729,616, which is a continuation of application No. 29/458,903, filed on Jun. 24, 2013, now Pat. No. Des. 708,505, which is a continuation of application No. 29/428,997, filed on Aug. 6, 2012, now Pat. No. Des. 685,254, which is a continuation of application No. 29/368,755, filed on Aug. 27, 2010, now Pat. No. Des. 667,291.

- (58) **Field of Classification Search**  
 CPC ..... E02D 5/803; B63B 21/045; B63B 59/02;  
 B60D 1/18; B60P 7/0823; A44B 13/0029;  
 H04R 1/1033; H04R 1/103; Y10T  
 24/3918  
 See application file for complete search history.

- (56) **References Cited**

U.S. PATENT DOCUMENTS

1,544,386 A 6/1925 Fridolph  
 1,675,421 A 7/1928 Pettee et al.  
 1,722,498 A 7/1929 Fridolph  
 2,212,766 A 8/1940 Andelenis  
 2,373,328 A 4/1945 Morehouse  
 2,826,796 A 3/1958 Davis  
 2,871,592 A 2/1959 Polzin  
 2,880,008 A 3/1959 Stoner  
 2,929,596 A 3/1960 Ewing  
 2,965,939 A 12/1960 Olsson  
 2,985,480 A 5/1961 Otley  
 3,041,697 A 7/1962 Budreck  
 3,086,529 A 4/1963 Munz et al.  
 D206,401 S 12/1966 Fisher  
 3,529,328 A 9/1970 Davison  
 D224,960 S 10/1972 Wilson  
 3,919,740 A 11/1975 Scherb  
 3,994,048 A 11/1976 Rosenthal  
 D259,242 S 5/1981 Gilb  
 4,455,719 A 6/1984 Morita  
 4,480,361 A 11/1984 Morita  
 4,597,206 A 7/1986 Benson  
 4,736,494 A 4/1988 Marchesi  
 4,815,172 A 3/1989 Ward  
 4,920,235 A 4/1990 Yamaguchi  
 4,939,818 A 7/1990 Hahn  
 4,940,427 A 7/1990 Pearson  
 4,957,232 A 9/1990 Sprague  
 4,963,410 A 10/1990 Bryant  
 5,048,158 A 9/1991 Koerner  
 5,086,543 A 2/1992 Mitchell  
 5,130,899 A 7/1992 Larkin et al.  
 5,136,759 A 8/1992 Armour, II  
 5,142,743 A 9/1992 Hahn  
 5,142,746 A 9/1992 Morita  
 5,168,603 A 12/1992 Reed  
 5,185,499 A 2/1993 Yahraus  
 5,274,889 A 1/1994 Morita  
 5,289,619 A 3/1994 Pileggi  
 D353,343 S 12/1994 Eberhardt  
 D353,990 S 1/1995 Alfreds  
 5,392,497 A 2/1995 Defner  
 D357,739 S 4/1995 Stewart et al.  
 5,402,971 A 4/1995 Bower  
 D362,176 S 9/1995 Solbeck  
 5,473,799 A 12/1995 Aoki  
 5,517,838 A 5/1996 Moore  
 5,518,214 A 5/1996 Spencer  
 D373,750 S 9/1996 Gunderson  
 5,572,773 A 11/1996 Bauer  
 5,584,452 A 12/1996 Koike  
 5,586,760 A 12/1996 Hauter  
 5,595,014 A 1/1997 Moore  
 5,604,961 A 2/1997 Cole  
 D378,578 S 3/1997 Eberhardt

D381,023 S 7/1997 Accardo  
 5,647,101 A 7/1997 Morita  
 D381,888 S 8/1997 Gonda et al.  
 D384,669 S 10/1997 Collier  
 5,682,653 A 11/1997 Berglof et al.  
 D390,447 S 2/1998 Colen, Jr.  
 5,722,126 A 3/1998 Reiter  
 5,732,445 A 3/1998 Stodolka et al.  
 5,732,451 A 3/1998 Mars  
 5,745,958 A 5/1998 Kaldor  
 5,802,676 A 9/1998 Tolan  
 5,806,346 A 9/1998 Schlinger et al.  
 D400,429 S 11/1998 Morita  
 D401,137 S 11/1998 Boelling  
 5,845,374 A 12/1998 Briggs  
 D405,352 S 2/1999 Rosenbauer  
 5,933,926 A 8/1999 Reiter  
 5,974,634 A 11/1999 Eisenpresser  
 5,983,464 A 11/1999 Bauer  
 6,006,455 A 12/1999 Miller  
 6,010,105 A 1/2000 Davis  
 6,038,743 A 3/2000 Chapman  
 6,044,525 A 4/2000 Sastre et al.  
 6,085,393 A 7/2000 Tsui et al.  
 6,087,594 A 7/2000 Chou  
 6,092,444 A 7/2000 Hsiao  
 6,131,200 A 10/2000 McNamara  
 6,170,088 B1 1/2001 Tate  
 6,205,623 B1 3/2001 Shepard et al.  
 6,279,804 B1 8/2001 Gregg  
 6,301,754 B1 10/2001 Grunberger et al.  
 6,317,933 B1 11/2001 Suenaga  
 6,344,021 B1\* 2/2002 Juster ..... A61N 2/06  
 600/15  
 D454,235 S 3/2002 Kaplan  
 6,405,983 B1 6/2002 Goj  
 6,427,290 B1 8/2002 Liu  
 D462,255 S 9/2002 Aoki  
 D464,562 S 10/2002 Reiter  
 6,467,132 B1 10/2002 Robley  
 6,473,946 B1 11/2002 Cheng  
 6,474,520 B1 11/2002 Finkelstein  
 6,490,767 B2 12/2002 Haiduk  
 6,499,199 B2 12/2002 Frazier  
 D471,006 S 3/2003 French  
 D471,231 S 3/2003 Mayo  
 6,581,885 B2\* 6/2003 Polad ..... F16L 3/137  
 24/16 PB  
 6,588,074 B2 7/2003 Galkiewicz et al.  
 6,671,986 B2 1/2004 Reeves  
 6,676,674 B1 1/2004 Dudai  
 6,701,580 B1 3/2004 Bandyopadhyay  
 D488,374 S 4/2004 Hussaini et al.  
 D491,046 S 6/2004 Johnson  
 6,763,554 B1 7/2004 Torrey et al.  
 D495,972 S 9/2004 Pettingill  
 6,880,270 B2 4/2005 Prather  
 D505,785 S 6/2005 Woody  
 D511,450 S 11/2005 Seth  
 6,978,521 B2 12/2005 Morita  
 6,992,253 B1 1/2006 Spellman et al.  
 7,025,509 B2 4/2006 Martin  
 7,039,958 B2 5/2006 Henricksen  
 7,080,430 B2 7/2006 Wemmer  
 7,096,544 B2\* 8/2006 Lusardi ..... A45F 5/12  
 24/306  
 7,213,278 B2 5/2007 Peterson et al.  
 7,222,796 B2 5/2007 Taras  
 D543,833 S 6/2007 Folk et al.  
 7,334,354 B2 2/2008 Foxen et al.  
 D566,526 S 4/2008 Robbins, III et al.  
 D567,630 S 4/2008 Brassard  
 D567,631 S 4/2008 Brassard  
 7,356,888 B2 4/2008 Chao et al.  
 D572,156 S 7/2008 Payne  
 D580,257 S 11/2008 Squyres  
 7,448,689 B2 11/2008 Carter et al.  
 7,516,591 B2 4/2009 Wolner et al.  
 7,543,359 B2 6/2009 Moughelbay et al.

(56)

References Cited

U.S. PATENT DOCUMENTS

D597,514 S 8/2009 Gencarella et al.  
 D599,196 S 9/2009 Ruffin et al.  
 7,624,480 B2 12/2009 Coronel  
 7,640,636 B2 1/2010 Clark  
 D611,317 S 3/2010 McGrath et al.  
 D613,137 S 4/2010 Wieberdink et al.  
 7,703,577 B1 4/2010 Zach et al.  
 7,712,696 B2 5/2010 Loh  
 D617,668 S 6/2010 Lodi  
 7,731,069 B2 6/2010 Lopreiato  
 D619,883 S 7/2010 Hansort  
 D619,884 S 7/2010 Hansort  
 D624,378 S 9/2010 Wysopal  
 7,793,892 B1 9/2010 Bowen et al.  
 D625,579 S 10/2010 Lee et al.  
 D628,876 S 12/2010 Pierce  
 D631,327 S 1/2011 Maraia  
 D631,328 S 1/2011 Chen  
 D631,780 S 2/2011 Levy  
 7,914,475 B2 3/2011 Wyatt et al.  
 D636,659 S 4/2011 Rothbaum et al.  
 D639,963 S \* 6/2011 Kase ..... D24/189  
 D644,138 S 8/2011 Webb  
 8,002,159 B2 8/2011 Cragg  
 D645,333 S 9/2011 Rothbaum et al.  
 D652,756 S 1/2012 Lans  
 8,103,352 B2 1/2012 Fried et al.  
 D654,052 S 2/2012 Lee et al.  
 D658,484 S 5/2012 Wall  
 D660,740 S 5/2012 Cullen et al.  
 D662,087 S 6/2012 Peller  
 8,203,077 B2 6/2012 Honeycutt et al.  
 D664,831 S 8/2012 Scherer  
 D666,076 S 8/2012 Muratore et al.  
 D666,896 S 9/2012 Pinholster, Jr. et al.  
 D667,043 S 9/2012 Couch, III  
 8,261,416 B2 \* 9/2012 Rothbaum ..... F16G 11/14  
 206/320  
 D675,123 S 1/2013 Nunez  
 D676,425 S 2/2013 Nishimura et al.  
 D676,733 S 2/2013 Zach et al.  
 8,366,058 B2 2/2013 Tiedemann, Sr.  
 D677,652 S 3/2013 Gifford  
 8,413,306 B2 4/2013 Gallant et al.  
 D684,845 S 6/2013 Wood  
 8,453,899 B1 6/2013 Calkin  
 8,458,864 B1 6/2013 Patton et al.  
 D693,992 S 11/2013 Dinunzio  
 D694,096 S 11/2013 DeFrancisci  
 8,590,823 B2 11/2013 Rothbaum et al.  
 8,615,849 B2 12/2013 Rothbaum et al.  
 D707,831 S 6/2014 Klutts  
 D710,969 S 8/2014 Bradford et al.  
 D712,295 S 9/2014 Ennis et al.  
 D717,132 S 11/2014 Van Dyke  
 D718,170 S 11/2014 Aumiller et al.  
 8,910,347 B1 12/2014 Wilcox  
 D729,045 S 5/2015 Cavanaugh et al.  
 D732,933 S 6/2015 Jansen  
 D733,525 S 7/2015 Petzl  
 9,340,341 B2 \* 5/2016 Farrell ..... B65D 63/14  
 9,445,178 B2 \* 9/2016 Rothbaum ..... H01F 7/0263  
 9,445,181 B1 \* 9/2016 Atwater ..... H04R 1/105  
 2001/0013277 A1 8/2001 Galkiewicz et al.  
 2001/0035242 A1 11/2001 Hughs et al.  
 2002/0033271 A1 3/2002 Fritschle et al.  
 2002/0065115 A1 5/2002 Lindholm  
 2002/0073516 A1 6/2002 Behar  
 2002/0078536 A1 6/2002 Martin et al.  
 2002/0112323 A1 8/2002 Nire  
 2002/0139823 A1 10/2002 Johnson  
 2003/0110596 A1 6/2003 Graham et al.  
 2003/0167605 A1 \* 9/2003 Schultz ..... A44B 18/00  
 24/306

2004/0003487 A1 \* 1/2004 Reiter ..... A41F 1/002  
 24/303  
 2004/0167456 A1 8/2004 Kingsford et al.  
 2005/0016760 A1 1/2005 Vasichek  
 2005/0025329 A1 2/2005 Lee  
 2005/0067826 A1 3/2005 McFalls et al.  
 2005/0255898 A1 11/2005 Huang  
 2006/0008106 A1 1/2006 Harper  
 2006/0032032 A1 2/2006 Cheng  
 2006/0121962 A1 6/2006 Kohli  
 2006/0178041 A1 8/2006 Lund et al.  
 2006/0186150 A1 8/2006 Willows et al.  
 2006/0206986 A1 9/2006 Straiton  
 2007/0086617 A1 4/2007 Loh  
 2007/0152008 A1 7/2007 Case  
 2008/0041897 A1 2/2008 Malhotra  
 2008/0083096 A1 4/2008 Wilkinson  
 2008/0149679 A1 6/2008 Case et al.  
 2008/0164157 A1 7/2008 Sween et al.  
 2009/0013504 A1 1/2009 Crespo  
 2009/0016559 A1 1/2009 Cleary  
 2009/0314515 A1 \* 12/2009 Bevirt ..... H01B 7/40  
 174/110 R  
 2012/0018250 A1 1/2012 Smith  
 2013/0334385 A1 12/2013 Steck

FOREIGN PATENT DOCUMENTS

JP 63-125493 U 8/1988  
 JP 11-317995 A 11/1999  
 JP 2001-169381 A 6/2001  
 JP 2003-230418 A 8/2003  
 JP 2003-319484 A 11/2003  
 JP 2006-081130 A 3/2006  
 JP 2006-222712 A 8/2006  
 JP 2009-212918 A 9/2009  
 KR 20-0301311 1/2003  
 WO WO 2004/071056 A1 8/2004

OTHER PUBLICATIONS

Earbud Clips, [www.wetjetset.com/store/item/42](http://www.wetjetset.com/store/item/42), printed Jun. 7, 2010, 3 pgs.  
 Headphone Cable Tidy—Pack of 3—Accessories for PDA, Smartphone . . . , [www.proporta.com/F02/PPF02P05.php?t\\_id=4452&t\\_mode-des](http://www.proporta.com/F02/PPF02P05.php?t_id=4452&t_mode-des) . . . printed Jun. 7, 2010, 2 pgs.  
 Quogue Capital LLC, International Search Report and Written Opinion, PCT/US2009/067927, Jul. 14, 2010, 8 pgs.  
 Rothbaum, International Search Report and Written Opinion, PCT/US2010/053244, Jun. 24, 2011, 22 pgs.  
 Rothbaum, Notice of Allowance, U.S. Appl. No. 29/368,746, Dec. 29, 2010, 8 pgs.  
 Rothbaum, Notice of Allowance, U.S. Appl. No. 29/368,755, May 15, 2012, 8 pgs.  
 Rothbaum, Notice of Allowance, U.S. Appl. No. 29/388,372, Jul. 14, 2011, 5 pgs.  
 Rothbaum, Notice of Allowance, U.S. Appl. No. 29/401,359, Nov. 15, 2012, 7 pgs.  
 Rothbaum, Notice of Allowance, U.S. Appl. No. 29/401,359, Mar. 22, 2013, 12 pgs.  
 Rothbaum, Notice of Allowance, U.S. Appl. No. 29/401,360, Sep. 28, 2012, 5 pgs.  
 Rothbaum, Notice of Allowance, U.S. Appl. No. 29/401,643, Sep. 18, 2012, 8 pgs.  
 Rothbaum, Notice of Allowance, U.S. Appl. No. 29/401,930, Nov. 23, 2012, 7 pgs.  
 Rothbaum, Notice of Allowance, U.S. Appl. No. 29/428,997, Feb. 27, 2013, 7 pgs.  
 Rothbaum, Notice of Allowance, U.S. Appl. No. 29/443,386, Aug. 6, 2013, 6 pgs.  
 Rothbaum, Notice of Allowance, U.S. Appl. No. 29/443,386, Nov. 14, 2013, 9 pgs.  
 Rothbaum, Notice of Allowance, U.S. Appl. No. 29/443,386, Feb. 26, 2014, 7 pgs.

(56)

**References Cited**

OTHER PUBLICATIONS

Rothbaum, Notice of Allowance, U.S. Appl. No. 29/443,387, May 24, 2013, 8 pgs.  
Rothbaum, Notice of Allowance, U.S. Appl. No. 29/443,389, Aug. 6, 2013, 6 pgs.  
Rothbaum, Notice of Allowance, U.S. Appl. No. 29/443,389, Nov. 14, 2013, 8 pgs.  
Rothbaum, Notice of Allowance, U.S. Appl. No. 29/444,911, Jan. 15, 2014, 6 pgs.  
Rothbaum, Notice of Allowance, U.S. Appl. No. 29/444,911, Sep. 25, 2013, 8 pgs.  
Rothbaum, Notice of Allowance, U.S. Appl. No. 29/458,903, Nov. 4, 2013, 8 pgs.  
Rothbaum, Notice of Allowance, U.S. Appl. No. 29/458,903, Feb. 19, 2014, 7 pgs.  
Rothbaum, Notice of Allowance, U.S. Appl. No. 29/465,282, Feb. 14, 2014, 7 pgs.  
Rothbaum, Notice of Allowance, U.S. Appl. No. 29/465,282, Oct. 25, 2013, 8 pgs.  
Rothbaum, Notice of Allowance, U.S. Appl. No. 29/485,515, Jan. 7, 2015, 7 pgs.

Rothbaum, Notice of Allowance, U.S. Appl. No. 29/488,367, Jan. 9, 2015, 7 pgs.  
Rothbaum, Notice of Allowance, U.S. Appl. No. 29/491,146, Jan. 8, 2015, 8 pgs.  
Rothbaum, Notice of Allowance, U.S. Appl. No. 29/492,497, Jan. 7, 2015, 7 pgs.  
Rothbaum, Notice of Allowance, U.S. Appl. No. 29/506,796, Apr. 6, 2015, 7 pgs.  
Rothbaum, Notice of Allowance, U.S. Appl. No. 29/519,750, Aug. 26, 2015, 8 pgs.  
Rothbaum, Notice of Allowance, U.S. Appl. No. 29/519,753, Aug. 26, 2015, 7 pgs.  
Rothbaum, Office Action, U.S. Appl. No. 29/368,754, Jul. 19, 2011, 5 pgs.  
Rothbaum, Notice of Allowance, U.S. Appl. No. 29/519,754, Oct. 21, 2015, 5 pgs.  
Sumajin smartwrap earphone cord manager, [www.ilounge.com](http://www.ilounge.com), Jun. 7, 2010, 3 pgs.  
Use magnetic paper clips to keep cords from tangling, Jun. 7, 2010, 5 pgs.

\* cited by examiner

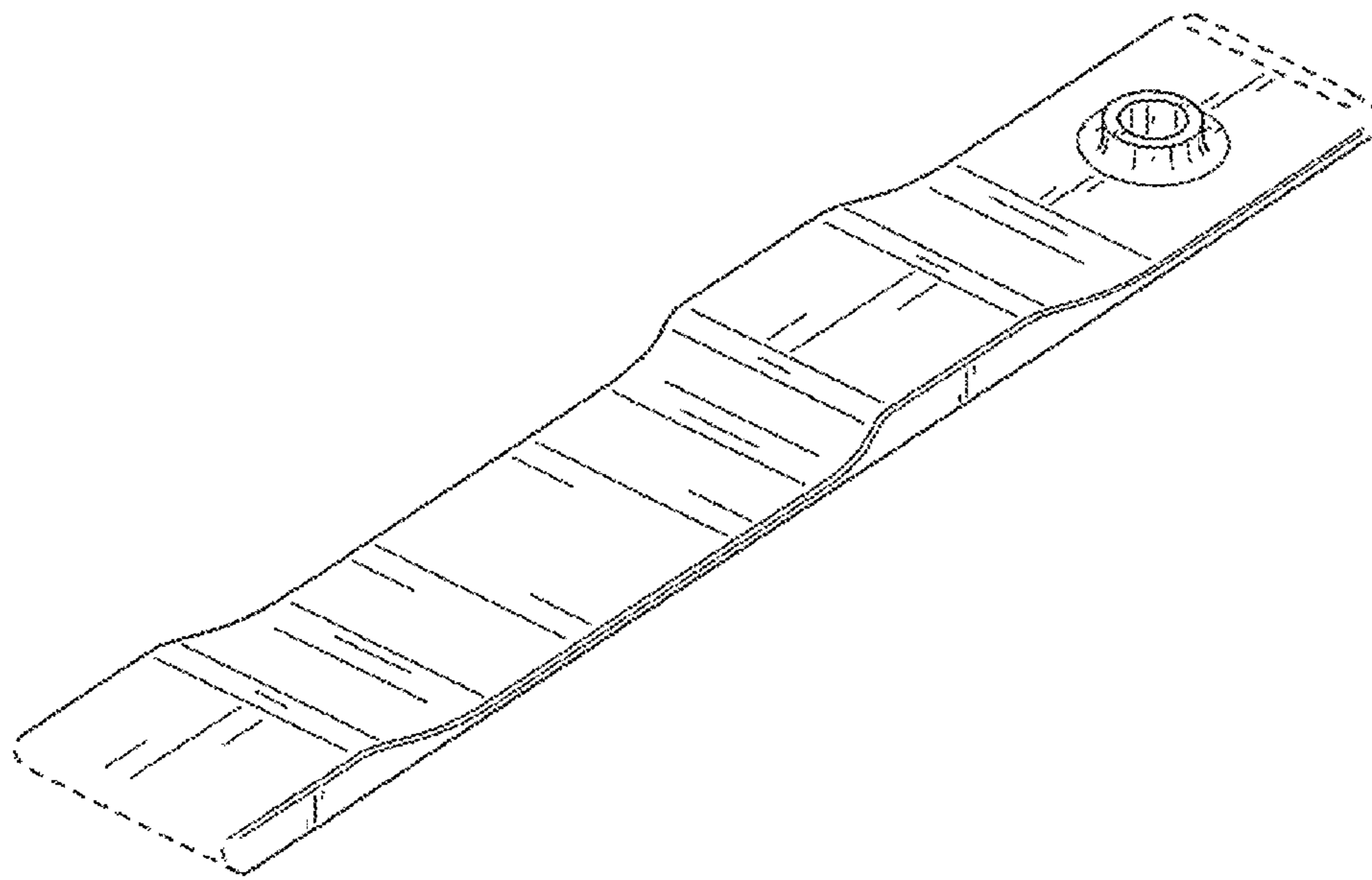


FIG. 1

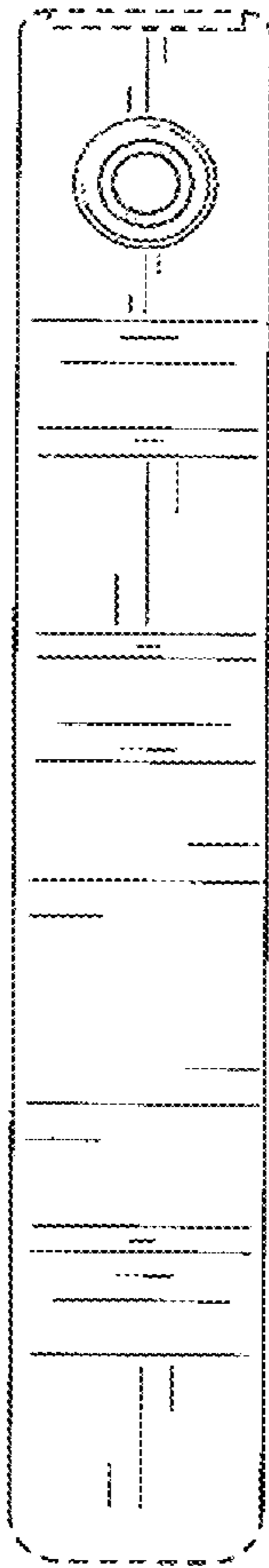


FIG. 2

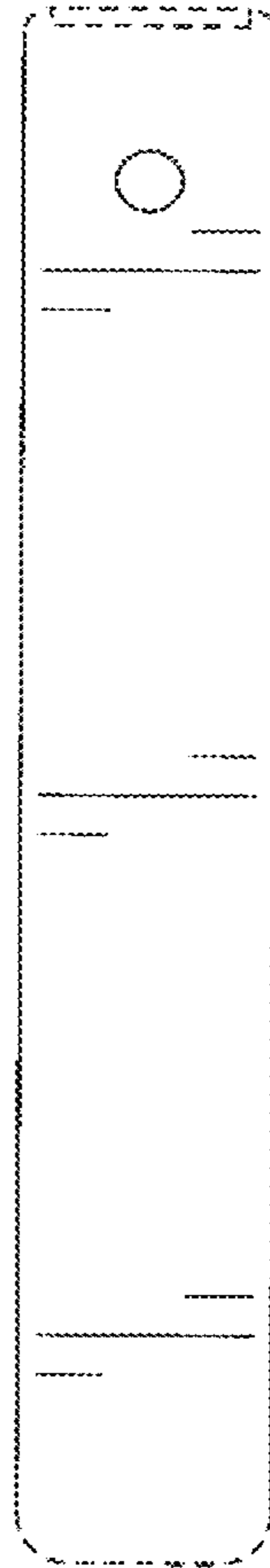


FIG. 3

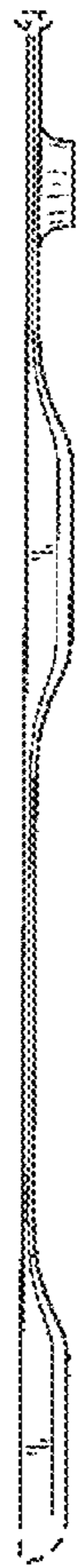


FIG. 4

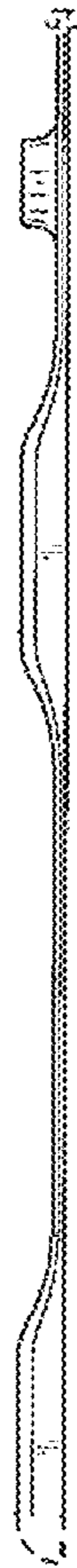


FIG. 5

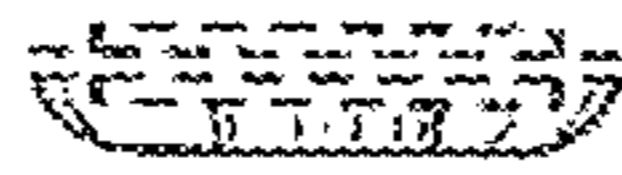


FIG. 6

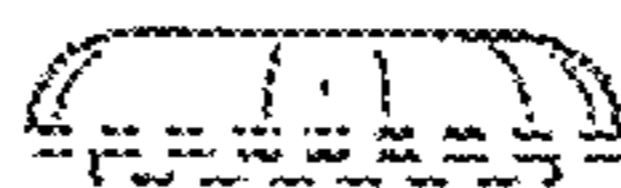


FIG. 7



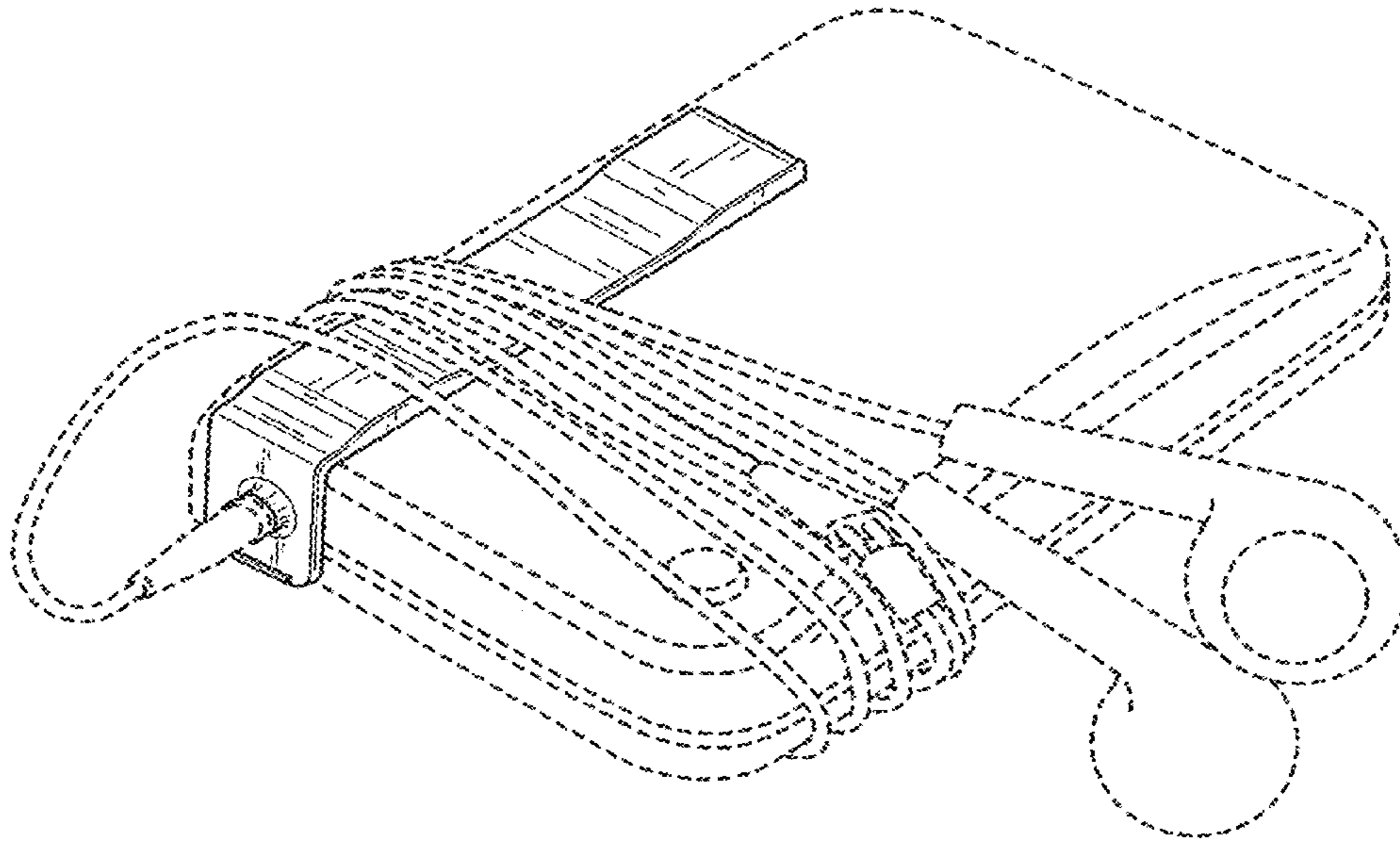


FIG. 8

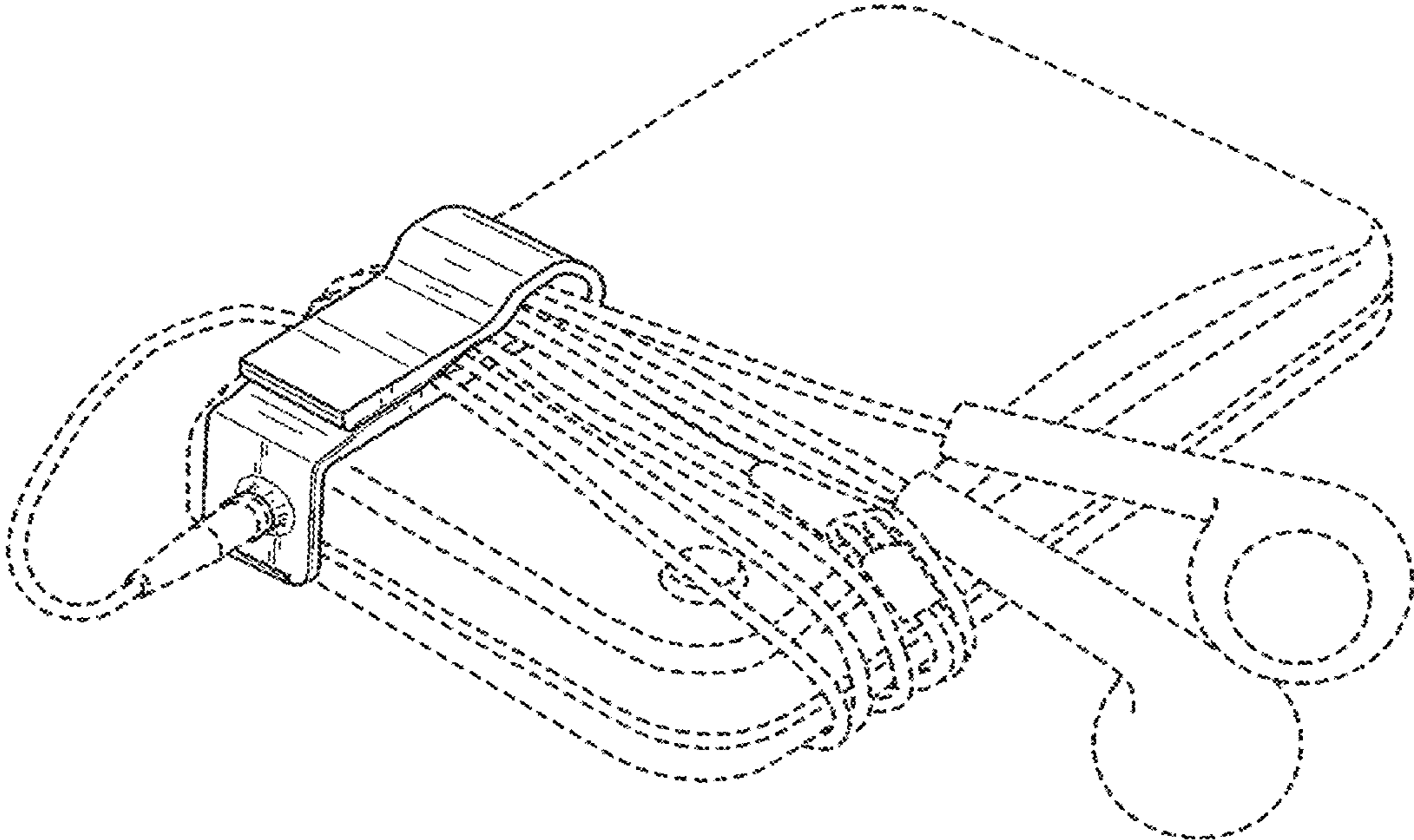


FIG. 9