



US00D781685S

(12) **United States Design Patent** (10) **Patent No.:** **US D781,685 S**
Rothbaum et al. (45) **Date of Patent:** **** Mar. 21, 2017**

(54) **STRAP WITH CORD ATTACHMENT
 MECHANISM FOR A CORD MANAGEMENT
 SYSTEM**

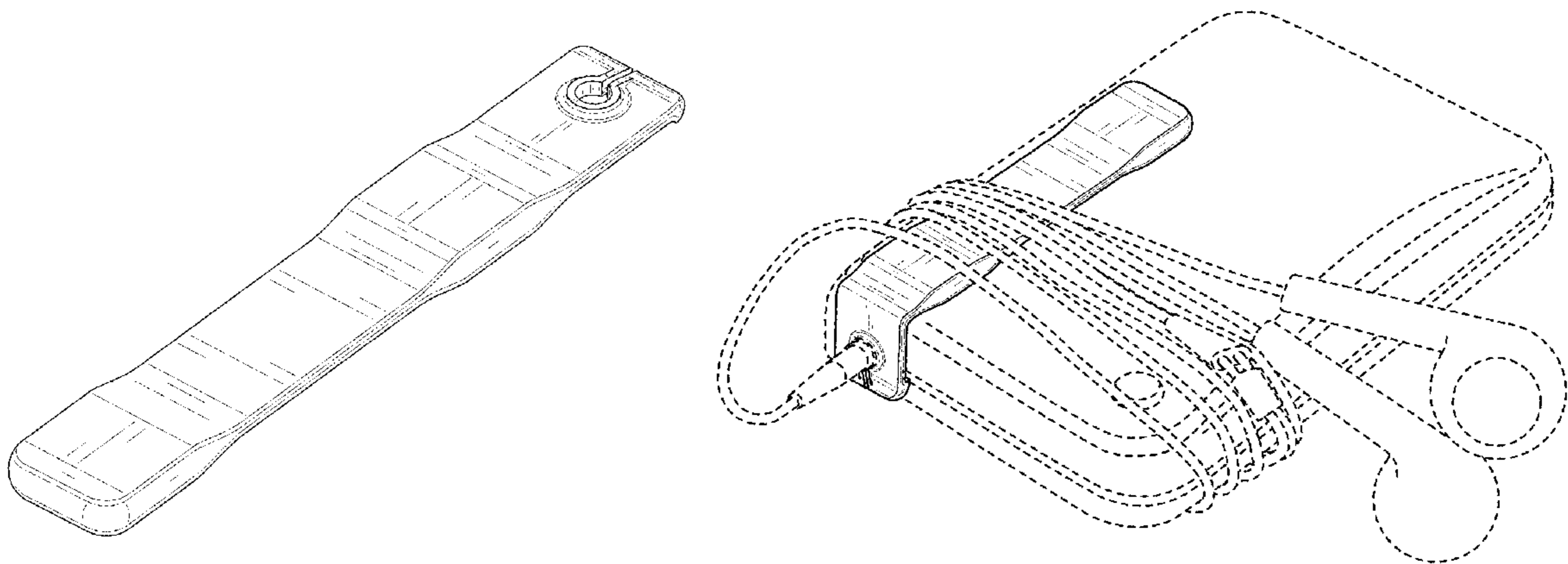
- (71) Applicant: **CJD LLC**, New York, NY (US)
- (72) Inventors: **Wayne Philip Rothbaum**, New York, NY (US); **Allison S. Conner**, Brooklyn, NY (US); **Robert B. Curtis**, San Francisco, CA (US); **Jonas K. Damon**, New York, NY (US); **Daniel A. Sanchez**, Brooklyn, NY (US)
- (73) Assignee: **CJD LLC**, New York, NY (US)
- (**) Term: **15 Years**
- (21) Appl. No.: **29/546,707**
- (22) Filed: **Nov. 24, 2015**

Related U.S. Application Data

- (63) Continuation of application No. 29/519,753, filed on Mar. 6, 2015, now Pat. No. Des. 746,663, which is a continuation of application No. 29/488,367, filed on Apr. 17, 2014, now Pat. No. Des. 729,615, which is a continuation of application No. 29/444,911, filed on Feb. 5, 2013, now Pat. No. Des. 706,118, which is a continuation of application No. 29/401,359, filed on Sep. 11, 2011, now Pat. No. Des. 682,070.
- (51) **LOC (10) Cl.** **08-05**
- (52) **U.S. Cl.**
 USPC **D8/356**
- (58) **Field of Classification Search**
 USPC D8/356, 354, 349; 381/384
 CPC E02D 5/803; B63B 21/045; B63B 59/02;
 B60D 1/18; B60P 7/0823; A44B 13/0029;
 H04R 1/1033; H04R 1/103; Y10T
 24/3918
 See application file for complete search history.

(56) **References Cited**
 U.S. PATENT DOCUMENTS

535,502 A	3/1895	Knighton
D39,960 S	5/1909	Mussillon
1,544,386 A	6/1925	Fridolph
1,675,421 A	7/1928	Pettee et al.
1,722,498 A	7/1929	Fridolph
2,212,766 A	8/1940	Andelenis
2,373,328 A	4/1945	Morehouse
2,826,796 A	3/1958	Davis
2,871,592 A	2/1959	Polzin
2,880,008 A	3/1959	Stoner
2,929,596 A	3/1960	Ewing
2,965,939 A	12/1960	Olsson
2,985,480 A	5/1961	Otley
3,041,697 A	7/1962	Budreck
3,086,529 A	4/1963	Munz et al.
D206,401 S	12/1966	Fisher
3,529,328 A	9/1970	Davison
D224,960 S	10/1972	Wilson
3,919,740 A	11/1975	Scherb
3,994,048 A	11/1976	Rosenthal
D259,242 S	5/1981	Gilb
4,455,719 A	6/1984	Morita
4,480,361 A	11/1984	Morita
4,597,206 A	7/1986	Benson
4,736,494 A	4/1988	Marchesi
4,815,172 A	3/1989	Ward
4,920,235 A	4/1990	Yamaguchi
4,939,818 A	7/1990	Hahn
4,940,427 A	7/1990	Pearson
4,957,232 A	9/1990	Sprague
4,963,410 A	10/1990	Bryant
5,048,158 A	9/1991	Koerner
5,086,543 A	2/1992	Mitchell
5,130,899 A	7/1992	Larkin et al.
5,136,759 A	8/1992	Armour, II
5,142,743 A	9/1992	Hahn
5,142,746 A	9/1992	Morita
5,168,603 A	12/1992	Reed
5,185,499 A	2/1993	Yahraus
5,274,889 A	1/1994	Morita
5,289,619 A	3/1994	Pileggi
D353,343 S	12/1994	Eberhardt
D353,990 S	1/1995	Alfreds
5,392,497 A	2/1995	Defner
D357,739 S	4/1995	Stewart et al.
5,402,971 A	4/1995	Bower
D362,176 S	9/1995	Solbeck
5,473,799 A	12/1995	Aoki
5,517,838 A	5/1996	Moore



US D781,685 S

5,518,214 A	5/1996	Spencer	D567,630 S	4/2008	Brassard
D373,750 S	9/1996	Gunderson	D567,631 S	4/2008	Brassard
5,572,773 A	11/1996	Bauer	7,356,888 B2	4/2008	Chao et al.
5,584,452 A	12/1996	Koike	D572,156 S	7/2008	Payne
5,586,760 A	12/1996	Hauter	D580,257 S	11/2008	Squyres
5,595,014 A	1/1997	Moore	7,448,689 B2	11/2008	Carter et al.
5,604,961 A	2/1997	Cole	7,516,591 B2	4/2009	Wolner et al.
D378,578 S	3/1997	Eberhardt	7,543,359 B2	6/2009	Moughelbay et al.
D381,023 S	7/1997	Accardo	D597,514 S	8/2009	Gencarella et al.
5,647,101 A	7/1997	Morita	D599,196 S	9/2009	Ruffin et al.
D381,888 S	8/1997	Gonda et al.	7,624,480 B2	12/2009	Coronel
D384,669 S	10/1997	Collier	7,640,636 B2	1/2010	Clark
5,682,653 A	11/1997	Berglof et al.	D611,317 S	3/2010	McGrath et al.
D390,447 S	2/1998	Colen, Jr.	D613,137 S	4/2010	Wieberdink et al.
5,722,126 A	3/1998	Reiter	7,703,577 B1	4/2010	Zach et al.
5,732,445 A	3/1998	Stodolka et al.	7,712,696 B2	5/2010	Loh
5,732,451 A	3/1998	Mars	D617,668 S	6/2010	Lodi
5,745,958 A	5/1998	Kaldor	7,731,069 B2	6/2010	Lopreiato
5,802,676 A	9/1998	Tolan	D619,883 S	7/2010	Hansort
5,806,346 A	9/1998	Schlinger et al.	D619,884 S	7/2010	Hansort
D400,429 S	11/1998	Morita	D624,378 S	9/2010	Wysopal
D401,137 S	11/1998	Boelling	7,793,892 B1	9/2010	Bowen et al.
5,845,374 A	12/1998	Briggs	D625,579 S	10/2010	Lee et al.
D405,352 S	2/1999	Rosenbauer	D628,876 S	12/2010	Pierce
5,933,926 A	8/1999	Reiter	D631,327 S	1/2011	Maraia
5,974,634 A	11/1999	Eisenpresser	D631,328 S	1/2011	Chen
5,983,464 A	11/1999	Bauer	D631,780 S	2/2011	Levy
6,006,455 A	12/1999	Miller	7,914,475 B2	3/2011	Wyatt et al.
6,010,105 A	1/2000	Davis	D636,659 S	4/2011	Rothbaum et al.
6,038,743 A	3/2000	Chapman	D639,963 S *	6/2011	Kase D24/189
6,044,525 A	4/2000	Sastre et al.	D644,138 S	8/2011	Webb
6,085,393 A	7/2000	Tsui et al.	8,002,159 B2	8/2011	Cragg
6,087,594 A	7/2000	Chou	D645,333 S	9/2011	Rothbaum et al.
6,092,444 A	7/2000	Hsiao	D652,756 S	1/2012	Lans
6,131,200 A	10/2000	McNamara	8,103,352 B2	1/2012	Fried et al.
6,170,088 B1	1/2001	Tate	D654,052 S	2/2012	Lee et al.
6,205,623 B1	3/2001	Shepard et al.	D658,484 S	5/2012	Wall
6,279,804 B1	8/2001	Gregg	D660,740 S	5/2012	Cullen et al.
6,301,754 B1	10/2001	Grunberger et al.	D662,087 S	6/2012	Peller
6,317,933 B1	11/2001	Suenaga	8,203,077 B2	6/2012	Honeycutt et al.
6,344,021 B1 *	2/2002	Juster A61N 2/06 600/15	D664,831 S	8/2012	Scherer
D454,235 S	3/2002	Kaplan	D666,076 S	8/2012	Muratore et al.
6,405,983 B1	6/2002	Goj	D666,896 S	9/2012	Pinholster, Jr. et al.
6,427,290 B1	8/2002	Liu	D667,043 S	9/2012	Couch, III
D462,255 S	9/2002	Aoki	8,261,416 B2 *	9/2012	Rothbaum F16G 11/14 206/320
D464,562 S	10/2002	Reiter	D675,123 S	1/2013	Nunez
6,467,132 B1	10/2002	Robley	D676,425 S	2/2013	Nishimura et al.
6,473,946 B1	11/2002	Cheng	D676,733 S	2/2013	Zach et al.
6,474,520 B1	11/2002	Finkelstein	8,366,058 B2	2/2013	Tiedemann, Sr.
6,490,767 B2	12/2002	Haiduk	D677,652 S	3/2013	Gifford
6,499,199 B2	12/2002	Frazier	8,413,306 B2	4/2013	Gallant et al.
D471,006 S	3/2003	French	D684,845 S	6/2013	Wood
D471,231 S	3/2003	Mayo	8,453,899 B1	6/2013	Calkin
6,581,885 B2 *	6/2003	Polad F16L 3/137 24/16 PB	8,458,864 B1	6/2013	Patton et al.
6,588,074 B2	7/2003	Galkiewicz et al.	D693,992 S	11/2013	Dinunzio
6,671,986 B2	1/2004	Reeves	D694,096 S	11/2013	DeFrancisci
6,676,674 B1	1/2004	Dudai	8,590,823 B2	11/2013	Rothbaum et al.
6,701,580 B1	3/2004	Bandyopadhyay	8,615,849 B2	12/2013	Rothbaum et al.
D488,374 S	4/2004	Hussaini et al.	D707,831 S	6/2014	Klutts
D491,046 S	6/2004	Johnson	D710,969 S	8/2014	Bradford et al.
6,763,554 B1	7/2004	Torrey et al.	D712,295 S	9/2014	Ennis et al.
D495,972 S	9/2004	Pettingill	D717,132 S	11/2014	Van Dyke
6,880,270 B2	4/2005	Prather	D718,170 S	11/2014	Aumiller et al.
D505,785 S	6/2005	Woody	8,910,347 B1	12/2014	Wilcox
D511,450 S	11/2005	Seth	D729,045 S	5/2015	Cavanaugh et al.
6,978,521 B2	12/2005	Morita	D732,933 S	6/2015	Jansen
6,992,253 B1	1/2006	Spellman et al.	D733,525 S	7/2015	Petzl
7,025,509 B2	4/2006	Martin	9,340,341 B2 *	5/2016	Farrell B65D 63/14
7,039,958 B2	5/2006	Henricksen	9,445,178 B2 *	9/2016	Rothbaum H01F 7/0263
7,080,430 B2	7/2006	Wemmer	9,445,181 B1 *	9/2016	Atwater H04R 1/105
7,096,544 B2 *	8/2006	Lusardi A45F 5/12 24/306	2001/0013277 A1	8/2001	Galkiewicz et al.
7,213,278 B2	5/2007	Peterson et al.	2001/0035242 A1	11/2001	Hughs et al.
7,222,796 B2	5/2007	Taras	2002/0033271 A1	3/2002	Fritschle et al.
D543,833 S	6/2007	Folk et al.	2002/0065115 A1	5/2002	Lindholm
7,334,354 B2	2/2008	Foxen et al.	2002/0073516 A1	6/2002	Behar
D566,526 S	4/2008	Robbins, III et al.	2002/0078536 A1	6/2002	Martin et al.
			2002/0112323 A1	8/2002	Nire
			2002/0139823 A1	10/2002	Johnson

2003/0110596	A1	6/2003	Graham et al.	
2003/0167605	A1*	9/2003	Schultz	A44B 18/00 24/306
2004/0003487	A1*	1/2004	Reiter	A41F 1/002 24/303
2004/0167456	A1	8/2004	Kingsford et al.	
2005/0016760	A1	1/2005	Vasichek	
2005/0025329	A1	2/2005	Lee	
2005/0067826	A1	3/2005	McFalls et al.	
2005/0255898	A1	11/2005	Huang	
2006/0008106	A1	1/2006	Harper	
2006/0032032	A1	2/2006	Cheng	
2006/0121962	A1	6/2006	Kohli	
2006/0178041	A1	8/2006	Lund et al.	
2006/0186150	A1	8/2006	Willows et al.	
2006/0206986	A1	9/2006	Straiton	
2007/0086617	A1	4/2007	Loh	
2007/0152008	A1	7/2007	Case	
2008/0041897	A1	2/2008	Malhotra	
2008/0083096	A1	4/2008	Wilkinson	
2008/0149679	A1	6/2008	Case et al.	
2008/0164157	A1	7/2008	Sween et al.	
2009/0013504	A1	1/2009	Crespo	
2009/0016559	A1	1/2009	Cleary	
2009/0314515	A1*	12/2009	Bevirt	H01B 7/40 174/110 R
2012/0018250	A1	1/2012	Smith	
2013/0334385	A1	12/2013	Steck	

FOREIGN PATENT DOCUMENTS

CN	201352845	Y	11/2009
GB	2420552	A	5/2006
JP	63-125493	U	8/1988
JP	11-317995	A	11/1999
JP	2001-169381	A	6/2001
JP	2003-230418	A	8/2003
JP	2003-319484	A	11/2003
JP	2006-081130	A	3/2006
JP	2006-222712	A	8/2006
JP	2009-212918	A	9/2009
KR	20-0301311		1/2003
WO	WO 2004/71056	A1	8/2004

OTHER PUBLICATIONS

CJD LLC, International Search Report and Written Opinion, PCT/US2010/031087, Apr. 29, 2011, 24 pgs.
 Earbud Clips, www.wetjetset.com/store/item/42, printed Jun. 7, 2010, 3 pgs.
 Headphone Cable Tidy—Pack of 3—Accessories for PDA, Smartphone . . . , www.proporta.com/F02/PPF02P05.php?t_id=4452&t_mode=des . . . printed Jun. 7, 2010, 2 pgs.
 Quogue Capital LLC, International Search Report and Written Opinion, PCT/US2009/067927, Jul. 14, 2010, 8 pgs.
 Rothbaum, International Search Report and Written Opinion, PCT/US2010/053244, Jun. 24, 2011, 22 pgs.
 Rothbaum, Notice of Allowance, U.S. Appl. No. 29/368,746, Dec. 29, 2010, 8 pgs.
 Rothbaum, Notice of Allowance, U.S. Appl. No. 29/368,755, May 15, 2012, 8 pgs.
 Rothbaum, Notice of Allowance, U.S. Appl. No. 29/388,372, Jul. 14, 2011, 5 pgs.
 Rothbaum, Notice of Allowance, U.S. Appl. No. 29/401,359, Nov. 15, 2012, 7 pgs.
 Rothbaum, Notice of Allowance, U.S. Appl. No. 29/401,359, Mar. 22, 2013, 12 pgs.
 Rothbaum, Notice of Allowance, U.S. Appl. No. 29/401,360, Sep. 28, 2012, 5 pgs.
 Rothbaum, Notice of Allowance, U.S. Appl. No. 29/401,643, Sep. 18, 2012, 8 pgs.
 Rothbaum, Notice of Allowance, U.S. Appl. No. 29/401,930, Nov. 23, 2012, 7 pgs.
 Rothbaum, Notice of Allowance, U.S. Appl. No. 29/428,997, Feb. 27, 2013, 7 pgs.

Rothbaum, Notice of Allowance, U.S. Appl. No. 29/443,386, Aug. 6, 2013, 6 pgs.
 Rothbaum, Notice of Allowance, U.S. Appl. No. 29/443,386, Nov. 14, 2013, 9 pgs.
 Rothbaum, Notice of Allowance, U.S. Appl. No. 29/443,386, Feb. 26, 2014, 7 pgs.
 Rothbaum, Notice of Allowance, U.S. Appl. No. 29/443,387, May 24, 2013, 8 pgs.
 Rothbaum, Notice of Allowance, U.S. Appl. No. 29/443,389, Aug. 6, 2013, 6 pgs.
 Rothbaum, Notice of Allowance, U.S. Appl. No. 29/443,389, Nov. 14, 2013, 8 pgs.
 Rothbaum, Notice of Allowance, U.S. Appl. No. 29/444,911, Jan. 15, 2014, 6 pgs.
 Rothbaum, Notice of Allowance, U.S. Appl. No. 29/444,911, Sep. 25, 2013, 8 pgs.
 Rothbaum, Notice of Allowance, U.S. Appl. No. 29/458,903, Nov. 4, 2013, 8 pgs.
 Rothbaum, Notice of Allowance, U.S. Appl. No. 29/458,903, Feb. 19, 2014, 7 pgs.
 Rothbaum, Notice of Allowance, U.S. Appl. No. 29/465,282, Feb. 14, 2014, 7 pgs.
 Rothbaum, Notice of Allowance, U.S. Appl. No. 29/465,282, Oct. 25, 2013, 8 pgs.
 Rothbaum, Notice of Allowance, U.S. Appl. No. 29/485,515, Jan. 7, 2015, 7 pgs.
 Rothbaum, Notice of Allowance, U.S. Appl. No. 29/488,367, Jan. 9, 2015, 7 pgs.
 Rothbaum, Notice of Allowance, U.S. Appl. No. 29/491,146, Jan. 8, 2015, 8 pgs.
 Rothbaum, Notice of Allowance, U.S. Appl. No. 29/492,497, Jan. 7, 2015, 7 pgs.
 Rothbaum, Notice of Allowance, U.S. Appl. No. 29/506,796, Apr. 6, 2015, 7 pgs.
 Rothbaum, Notice of Allowance, U.S. Appl. No. 29/519,750, Aug. 26, 2015, 8 pgs.
 Rothbaum, Notice of Allowance, U.S. Appl. No. 29/519,753, Aug. 26, 2015, 7 pgs.
 Rothbaum, Office Action, U.S. Appl. No. 29/368,754, Jul. 19, 2011, 5 pgs.
 Rothbaum, Notice of Allowance, U.S. Appl. No. 29/519,754, Oct. 21, 2015, 5 pgs.
 Sumajin smartwrap earphone cord manager, www.ilounge.com, Jun. 7, 2010, 3 pgs.
 Use magnetic paper clips to keep cords from tangling, Jun. 7, 2010, 5 pgs.

* cited by examiner

Primary Examiner — Cynthia Underwood
 (74) Attorney, Agent, or Firm — Morgan, Lewis & Bockius LLP

(57)

CLAIM

The ornamental design for a strap with cord attachment mechanism for a cord management system, as shown and described.

DESCRIPTION

The present application relates to the following Patents and Applications:
 to U.S. utility patent application Ser. No. 12/761,326, filed Apr. 15, 2010, entitled Cord Management System,
 to design U.S. Pat. No. D636,659, issued Apr. 26, 2011, entitled Strap for a Cord Management System,
 to design U.S. Pat. No. D667,291, issued Nov. 18, 2012, also entitled Strap for a Cord Management System,
 to design U.S. Pat. No. D645,333, issued Sep. 20, 2011, also entitled Strap for a Cord Management System,

to design U.S. Pat. No. D675,505, issued Feb. 5, 2013, entitled Strap with Hook and Loop Closure for a Cord Management System,

to U.S. design application Ser. No. 29/401,930, filed Sep. 16, 2011 (U.S. Pat. No. D675,904), entitled Strap with Cord Attachment Mechanism and Hook and Loop Closure for a Cord Management System, and to U.S. design application Ser. No. 29/401,360, filed Sep. 11, 2011 (U.S. Pat. No. D675,905), entitled Clip for a Cord Management System.

FIG. 1 is a perspective view of our new design of a strap with a cord attachment mechanism for a cord management system.

FIG. 2 is a top view of FIG. 1.

FIG. 3 is a bottom view of FIG. 1.

FIG. 4 is a view of a first side of FIG. 1.

FIG. 5 is a view of a second side of FIG. 1.

FIG. 6 is a view of a third side of FIG. 1.

FIG. 7 is a view of a fourth side of FIG. 1.

FIG. 8 is a perspective view of FIG. 1 shown in an alternate configuration of use in an environment of use; and,

FIG. 9 is another perspective view of FIG. 1 shown in another alternate configuration of use in an environment of use.

The broken lines represent an environment of use that forms no part of the claim.

1 Claim, 6 Drawing Sheets

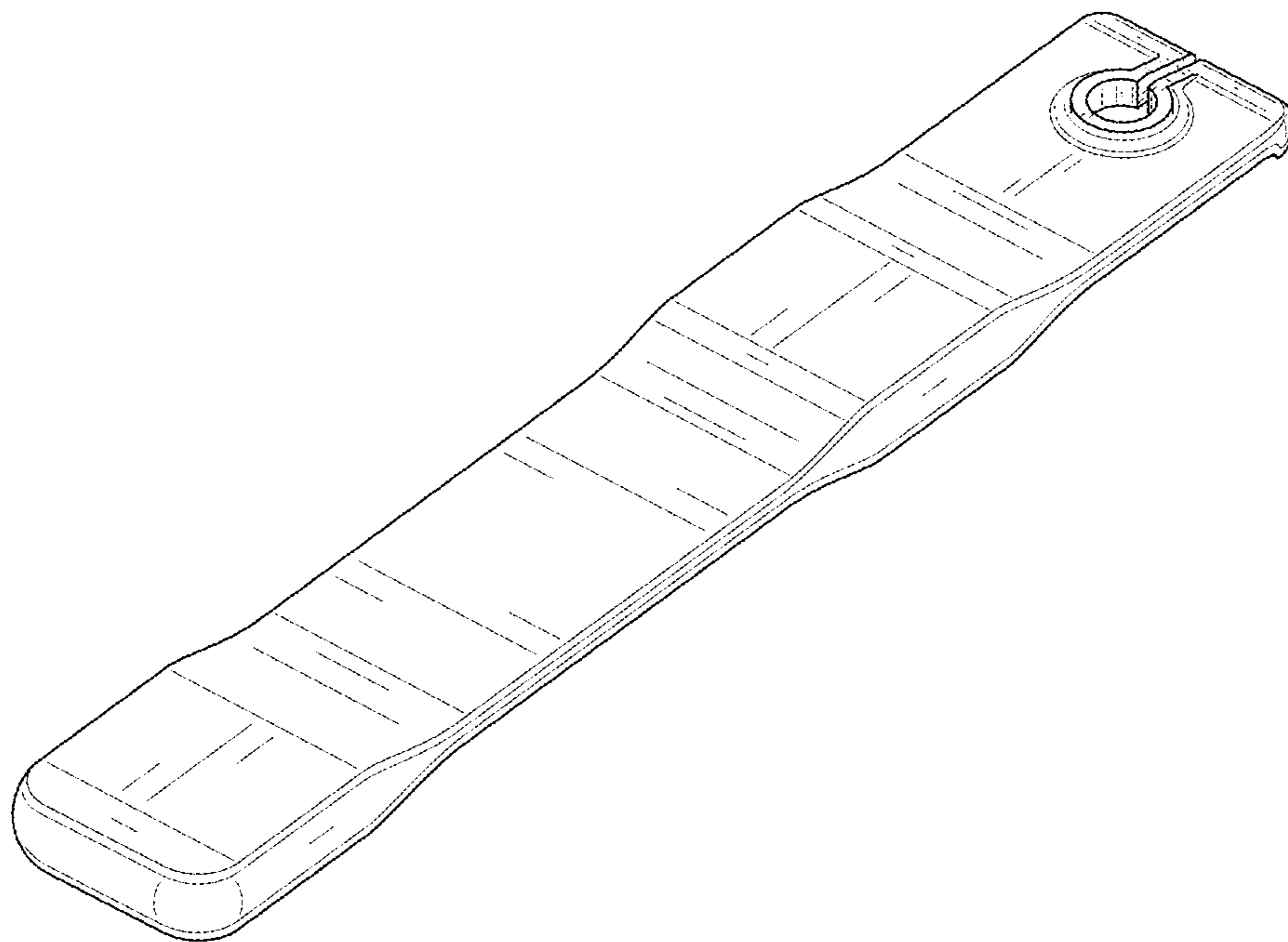


FIG. 1

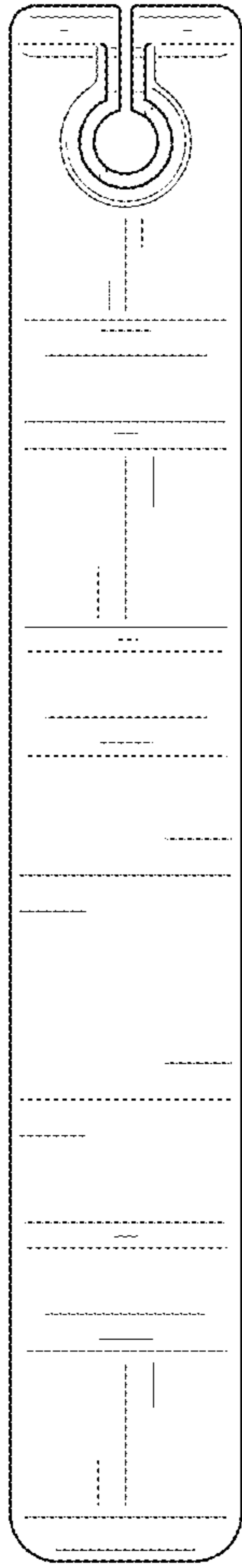


FIG. 2

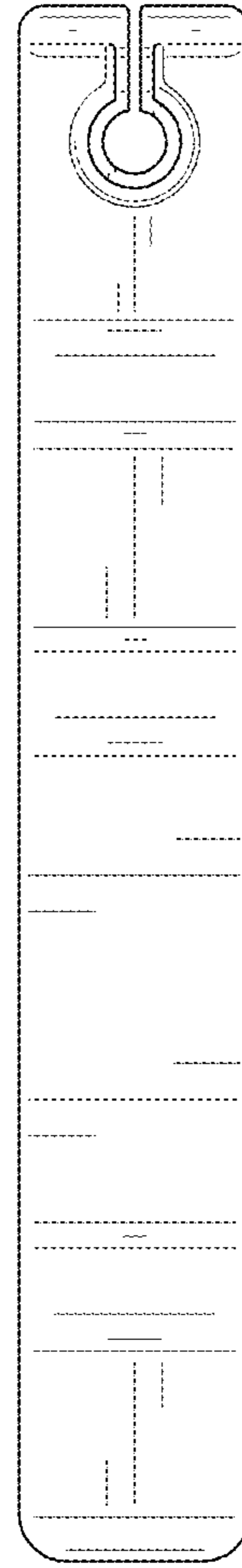


FIG. 3

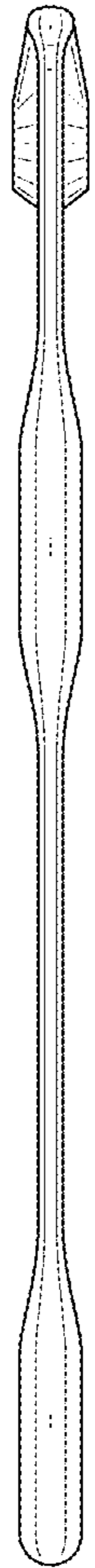


FIG. 4

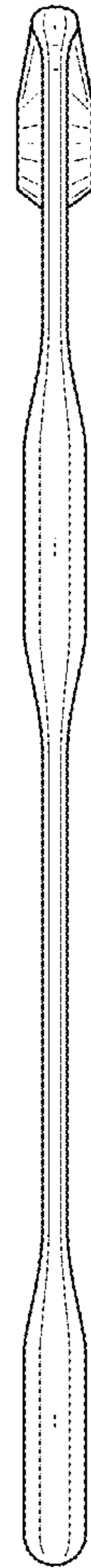


FIG. 5

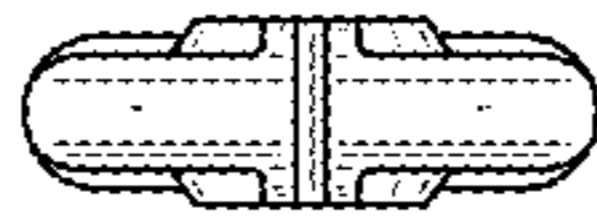


FIG. 6



FIG. 7

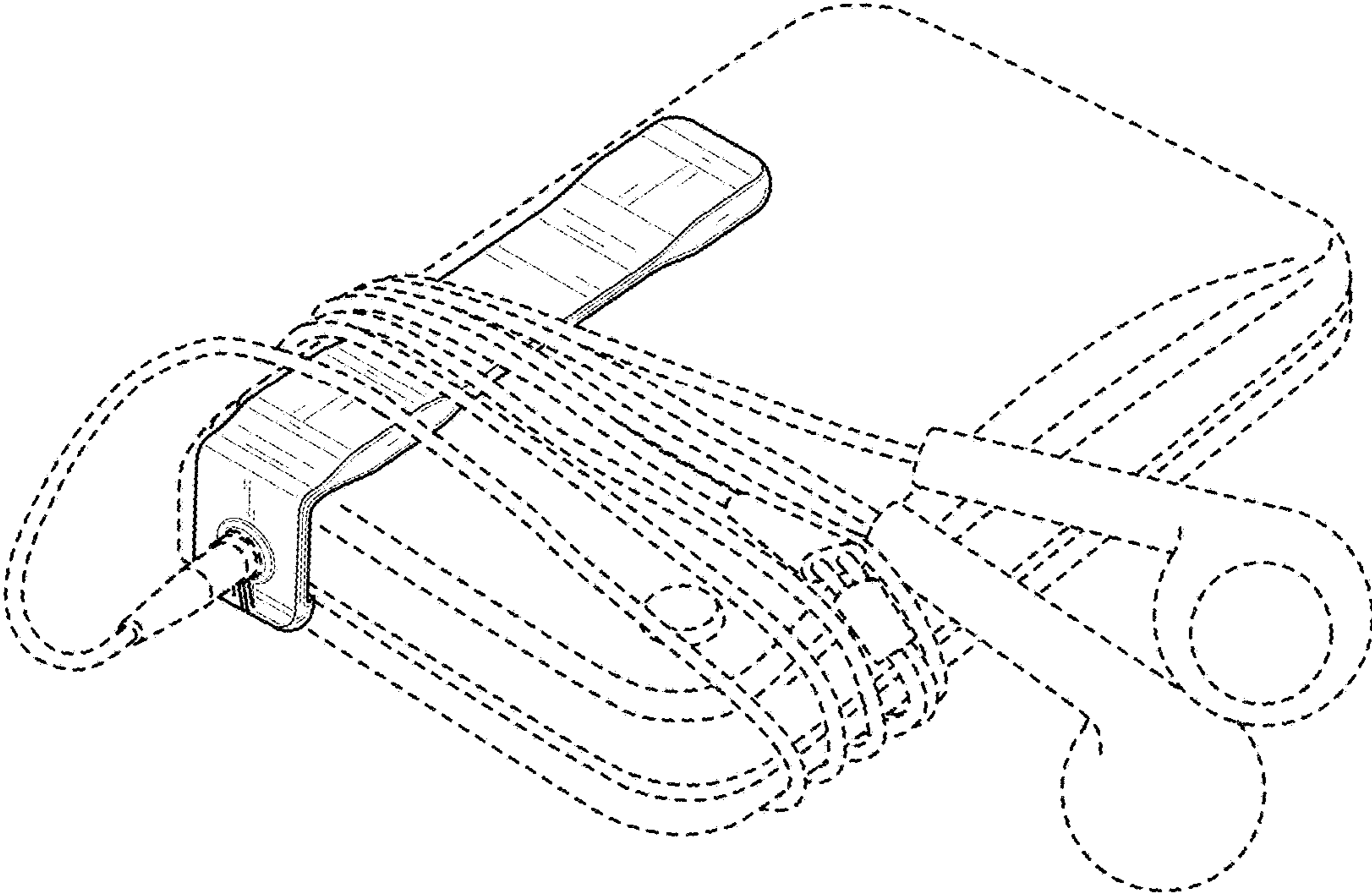


FIG. 8

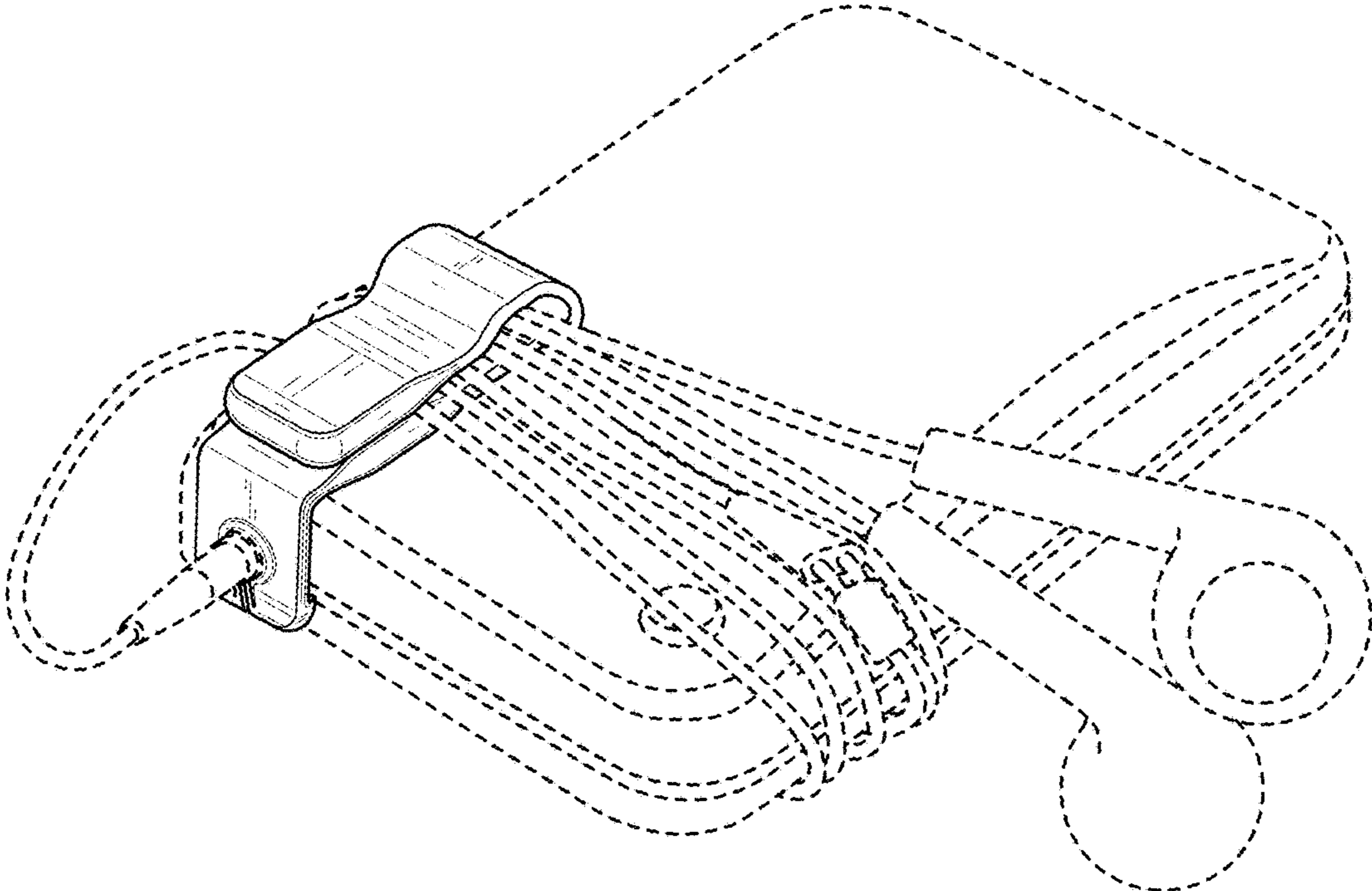


FIG. 9