



US00D781683S

(12) **United States Design Patent** (10) **Patent No.:** **US D781,683 S**
Yi (45) **Date of Patent:** **** Mar. 21, 2017**

(54) **CLIP FOR SECURING REBAR**
(71) Applicant: **Chris Chae Yong Yi**, Diamond Bar, CA (US)
(72) Inventor: **Chris Chae Yong Yi**, Diamond Bar, CA (US)
(**) Term: **15 Years**
(21) Appl. No.: **29/547,081**
(22) Filed: **Dec. 1, 2015**
(51) **LOC (10) Cl.** **08-05**
(52) **U.S. Cl.**
USPC **D8/354**
(58) **Field of Classification Search**
USPC D8/354, 349, 323, 325, 366, 381, 380, D8/403, 404, 499
CPC E04C 5/20; B23P 11/00
See application file for complete search history.

D587,564 S 3/2009 Kodi
D668,129 S * 10/2012 Livacich D8/354
D696,102 S * 12/2013 Livacich D8/354
8,776,328 B2 7/2014 Kodi
D720,206 S * 12/2014 Brennan D8/380
D754,525 S * 4/2016 Kandakur D8/354
2011/0047915 A1* 3/2011 Waters, Jr. E04C 2/06
52/414
2011/0107714 A1* 5/2011 Kodi E04C 5/163
52/686

* cited by examiner

Primary Examiner — Rosemary K Tarcza

Assistant Examiner — Alison Ofstun

(74) *Attorney, Agent, or Firm* — The Law Office of Scot S. Fagerland

(57) **CLAIM**

I claim the ornamental design for a clip for securing rebar, as shown and described.

DESCRIPTION

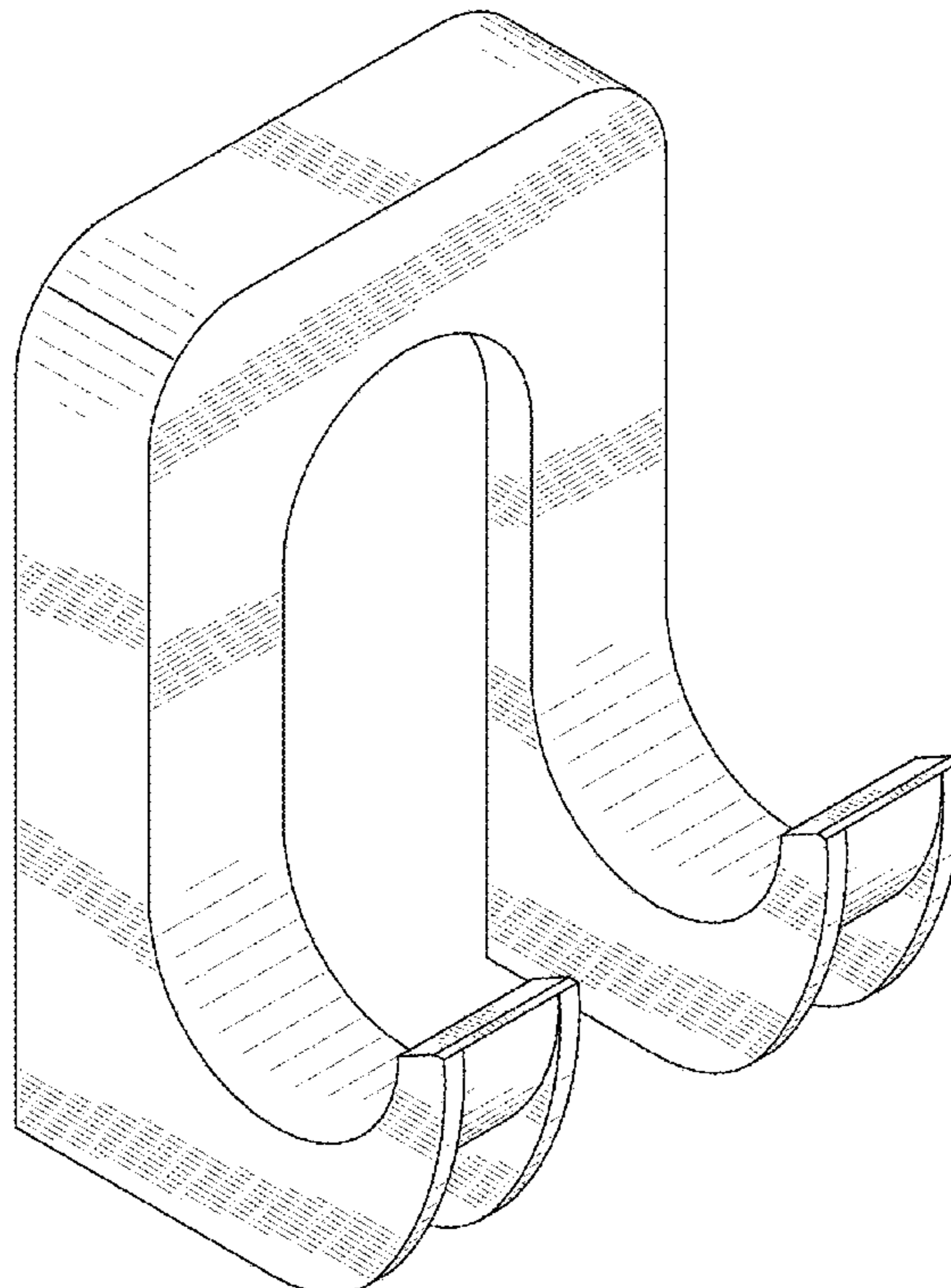
FIG. 1 is a perspective view of a first embodiment of the clip. This figure is viewed from the clip's top front right direction. FIG. 2 is a front plan view of the first embodiment of the clip.
FIG. 3 is a rear plan view of the first embodiment of the clip. FIG. 4 is a top plan view of the first embodiment of the clip. FIG. 5 is a bottom plan view of the first embodiment of the clip; and, FIG. 6 is a right plan view of the first embodiment of the clip, which is the mirror image of the left plan view.

1 Claim, 5 Drawing Sheets

(56) **References Cited**

U.S. PATENT DOCUMENTS

D232,917 S * 9/1974 Vincent D8/354
4,388,791 A 6/1983 Anderson
D327,213 S * 6/1992 Murphy D8/367
5,371,991 A 12/1994 Bechtel
D452,135 S * 12/2001 Wyatt D8/354
7,143,563 B1 12/2006 Palmer
D557,120 S * 12/2007 Snell D8/372
7,469,515 B2* 12/2008 Minor E04C 5/167
403/397



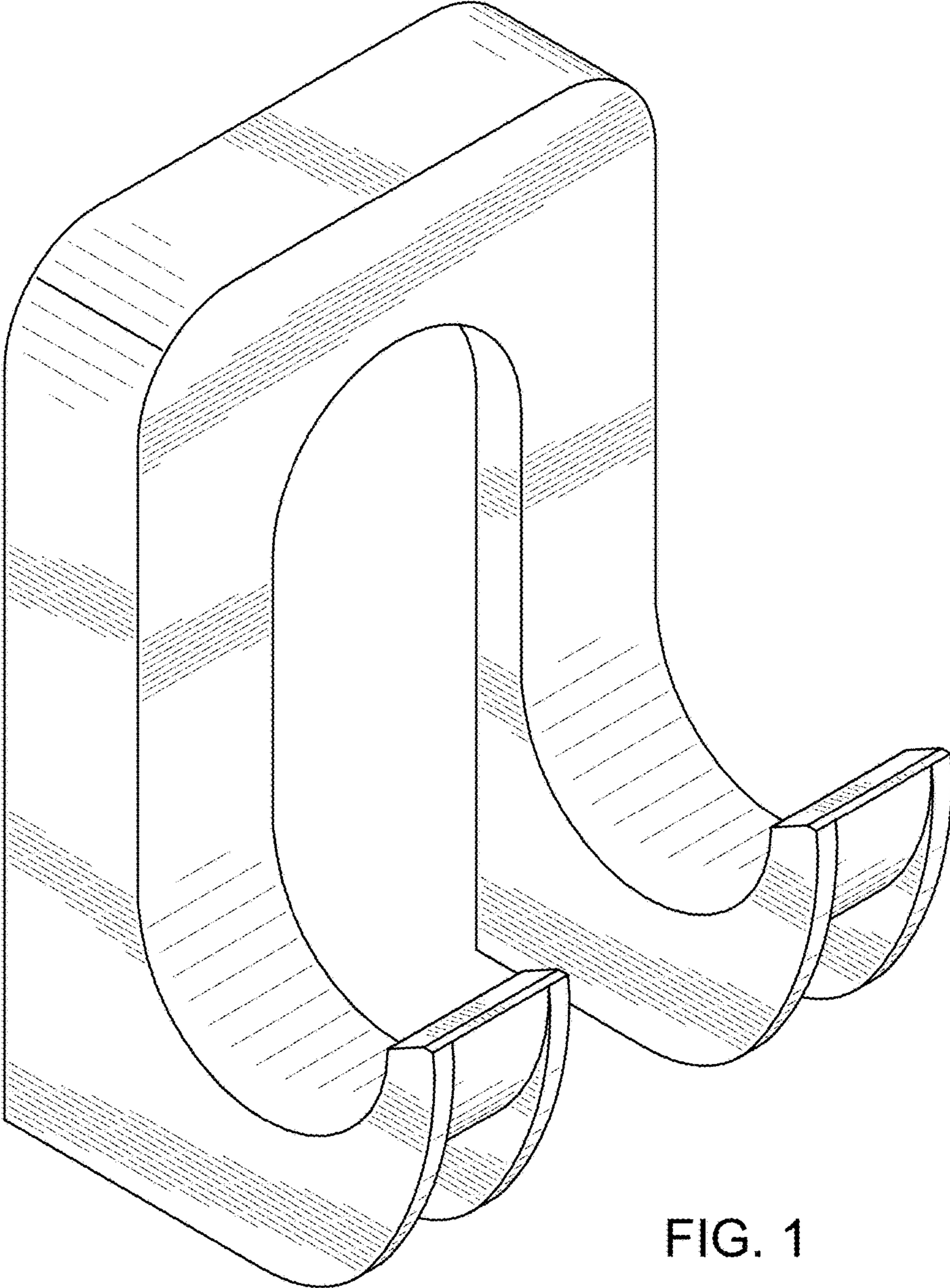


FIG. 1

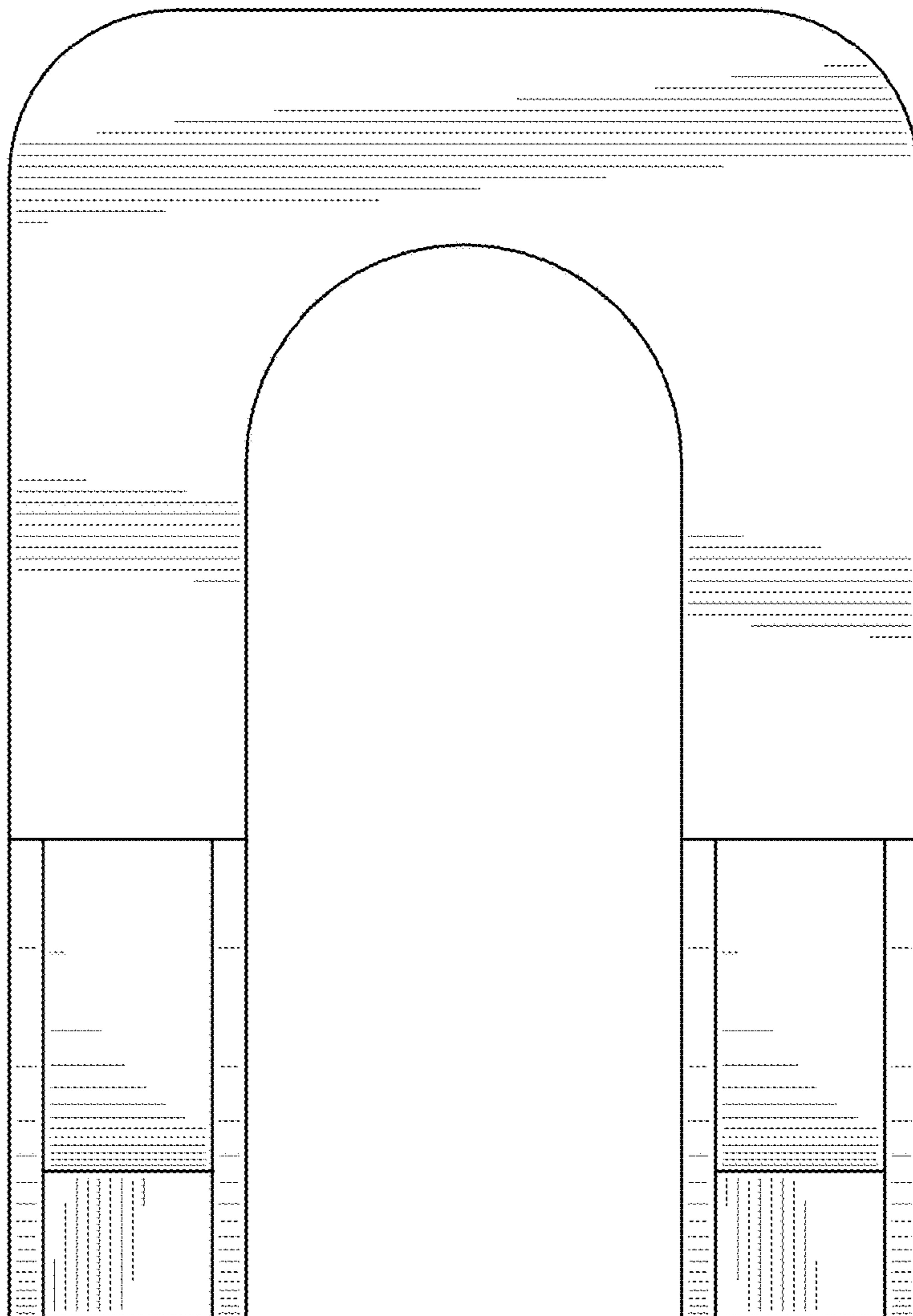


FIG. 2

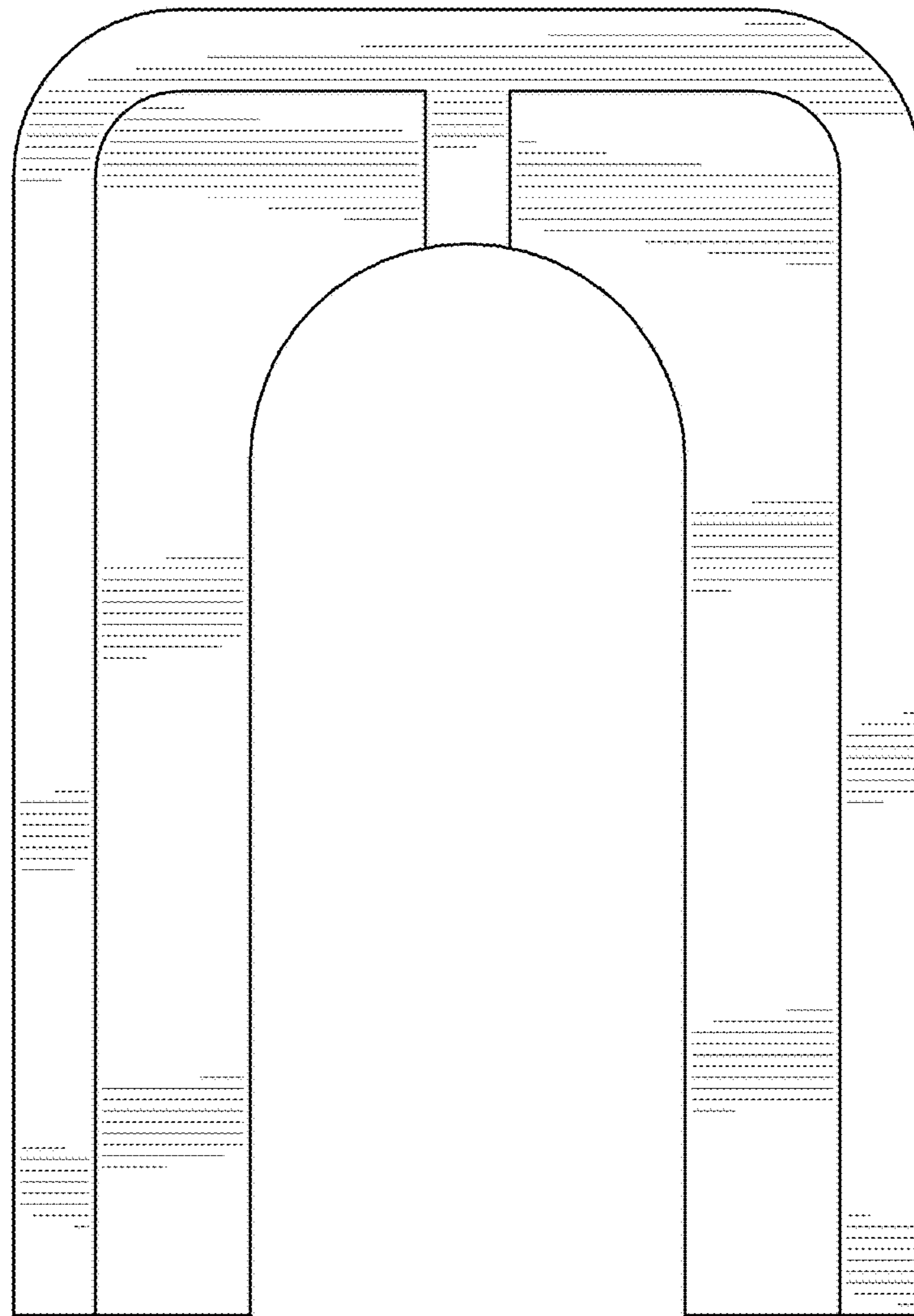


FIG. 3

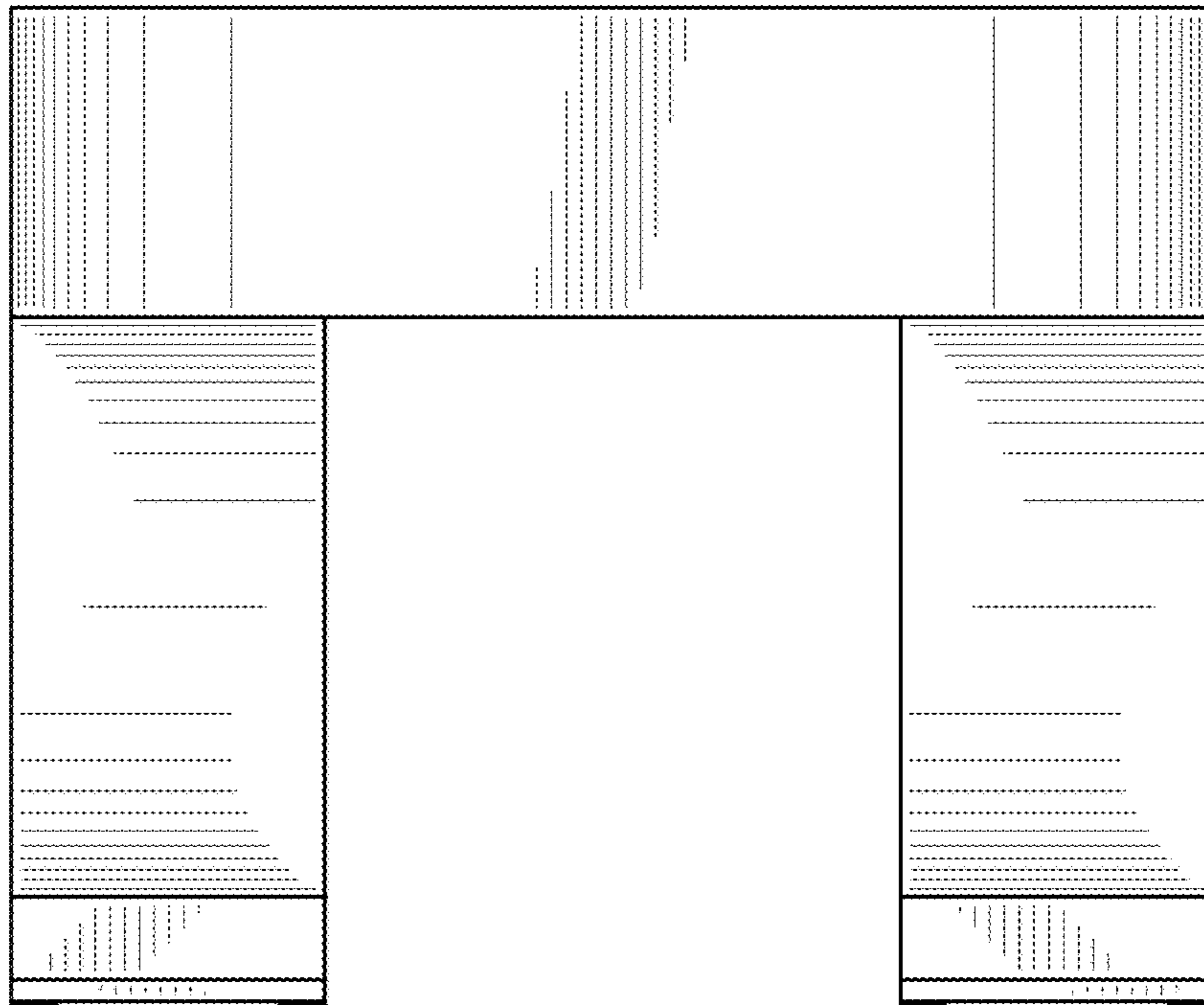


FIG. 4

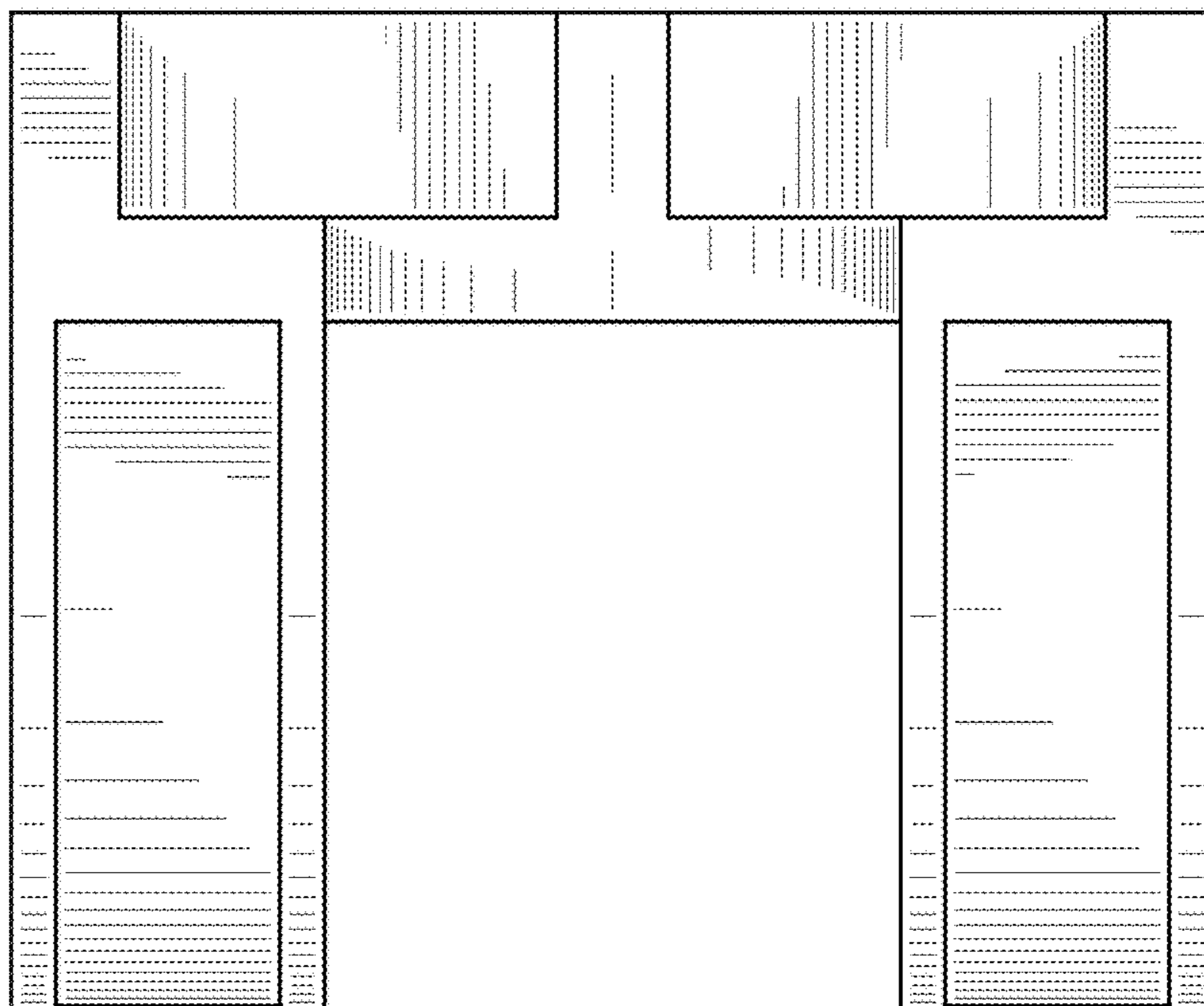


FIG. 5

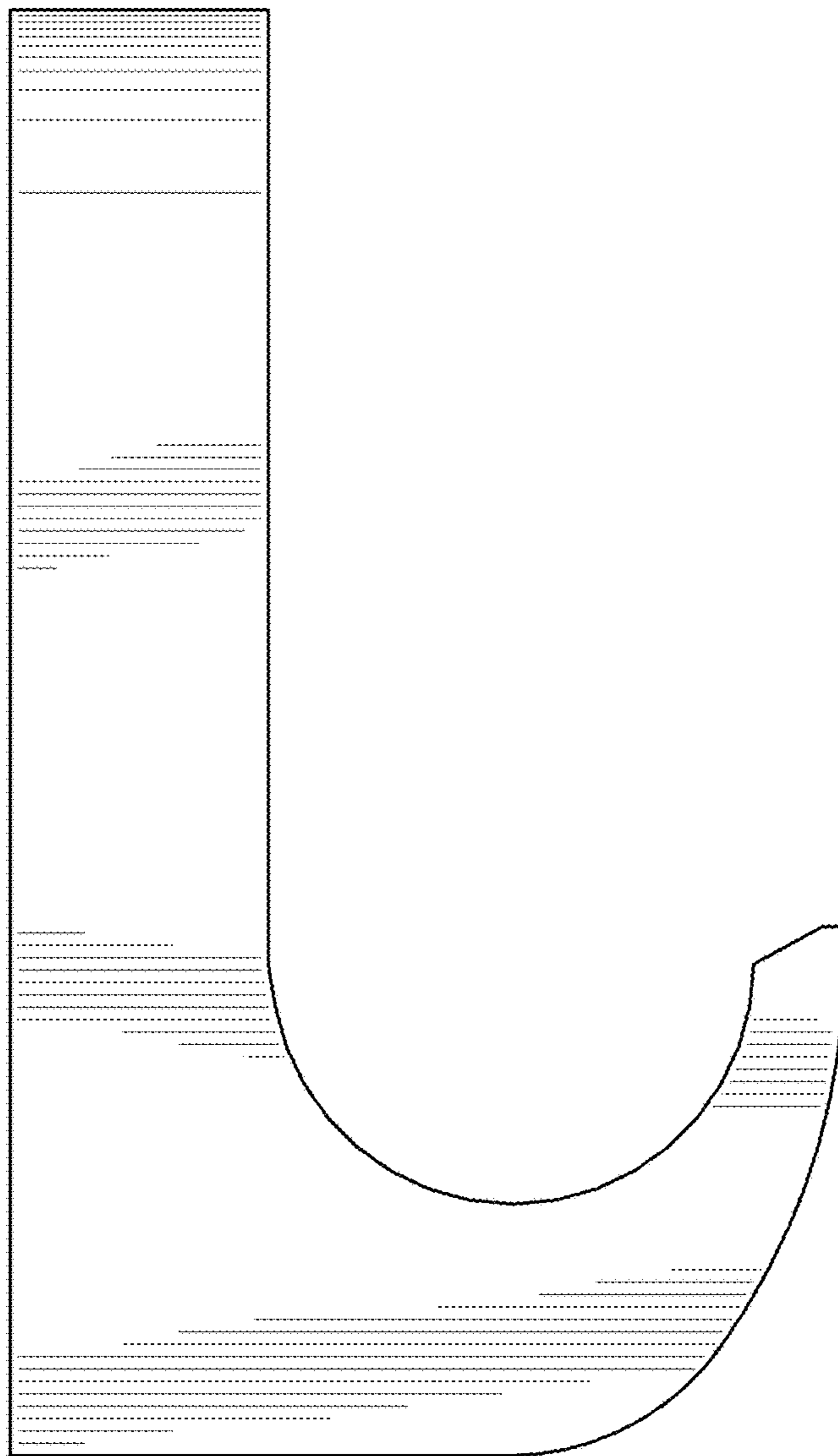


FIG. 6