



US00D781682S

(12) **United States Design Patent** (10) **Patent No.:** **US D781,682 S**
Avellaneda et al. (45) **Date of Patent:** **** Mar. 21, 2017**

- (54) **MAGNETIC TWO-HOLE PIN**
- (71) Applicant: **Roly LLC**, Chatsworth, CA (US)
- (72) Inventors: **Joel Avellaneda**, Watford City, ND (US); **Emanuel Gonzalez**, Watford City, ND (US)
- (73) Assignee: **ROLY LLC**, Chatsworth, CA (US)
- (**) Term: **15 Years**
- (21) Appl. No.: **29/541,671**
- (22) Filed: **Oct. 6, 2015**
- (51) **LOC (10) Cl.** **08-05**
- (52) **U.S. Cl.**
USPC **D8/354**
- (58) **Field of Classification Search**
USPC D13/133, 146, 147, 154, 184, 199;
D8/354, 352
CPC H01R 13/2478; H01R 13/422
See application file for complete search history.

- (56) **References Cited**
U.S. PATENT DOCUMENTS
4,174,570 A * 11/1979 Schwartz A61C 9/002
269/8
4,349,857 A * 9/1982 Tabet H01H 47/24
250/239

- D313,974 S * 1/1991 Meller D13/171
- D325,583 S * 4/1992 Matuszewski D14/234
- 8,651,900 B1 * 2/2014 Hsu H01R 13/2421
439/700
- D722,956 S * 2/2015 Alima D13/103
- D744,432 S * 12/2015 Kim D13/154
- 9,276,348 B1 * 3/2016 Vadlamudi A61N 1/3752
- 2015/0133000 A1 * 5/2015 Kim H01R 13/2421
439/700

* cited by examiner

Primary Examiner — Lakiya Rogers
Assistant Examiner — Harold Blackwell, II
(74) *Attorney, Agent, or Firm* — Kelly & Kelley, LLP

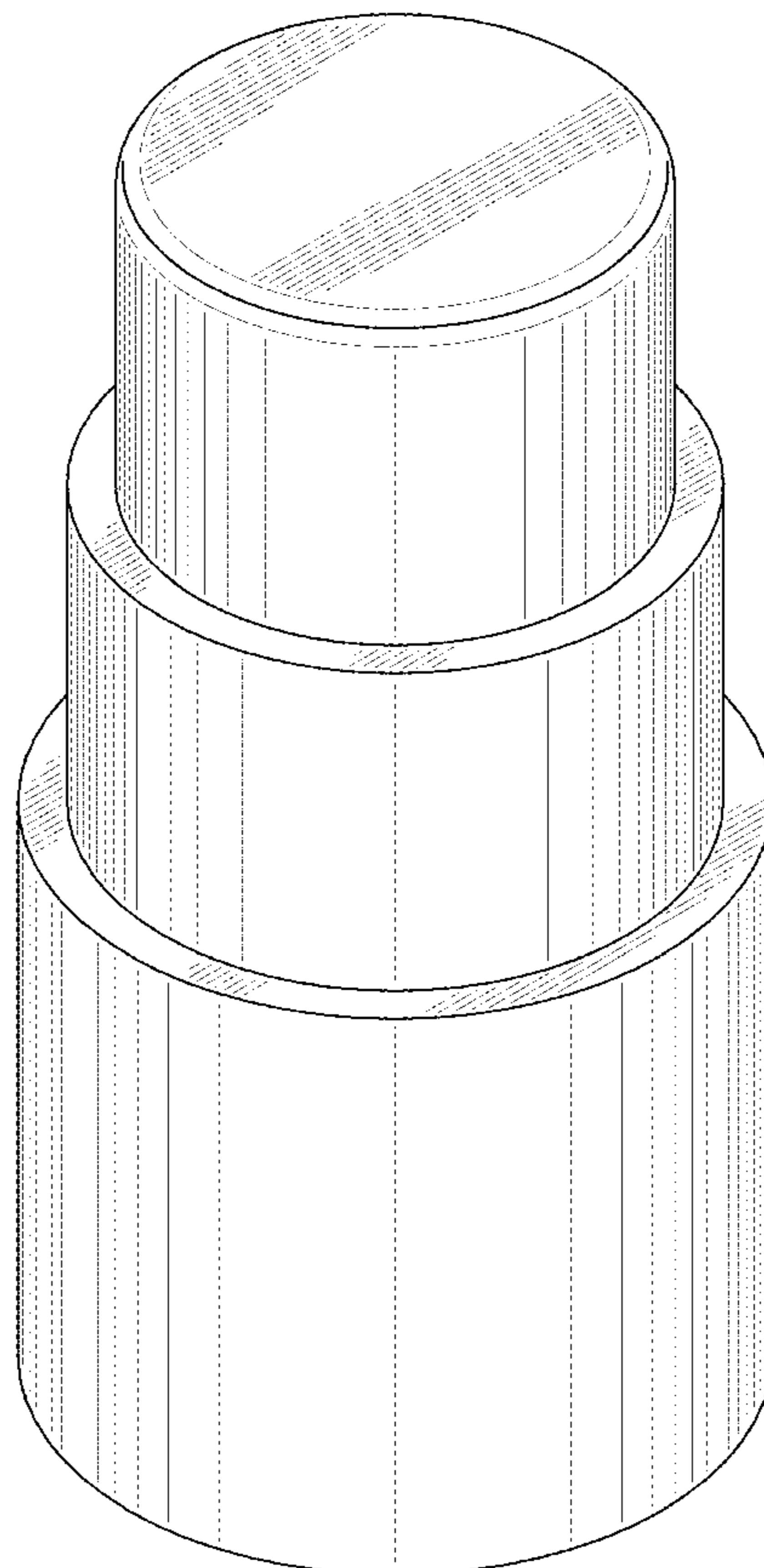
(57) **CLAIM**

The ornamental design for a magnetic two-hole pin, as shown.

DESCRIPTION

FIG. 1 is a an elevated perspective view of the magnetic two-hole pin;
FIG. 2 is a lowered perspective view of the magnetic two-hole pin;
FIG. 3 is a front view of the magnetic two-hole pin, the back, right and left side views all being identical to the front view;
FIG. 4 is a top view of the magnetic two-hole pin; and,
FIG. 5 is a bottom view of the magnetic two-hole pin.

1 Claim, 5 Drawing Sheets



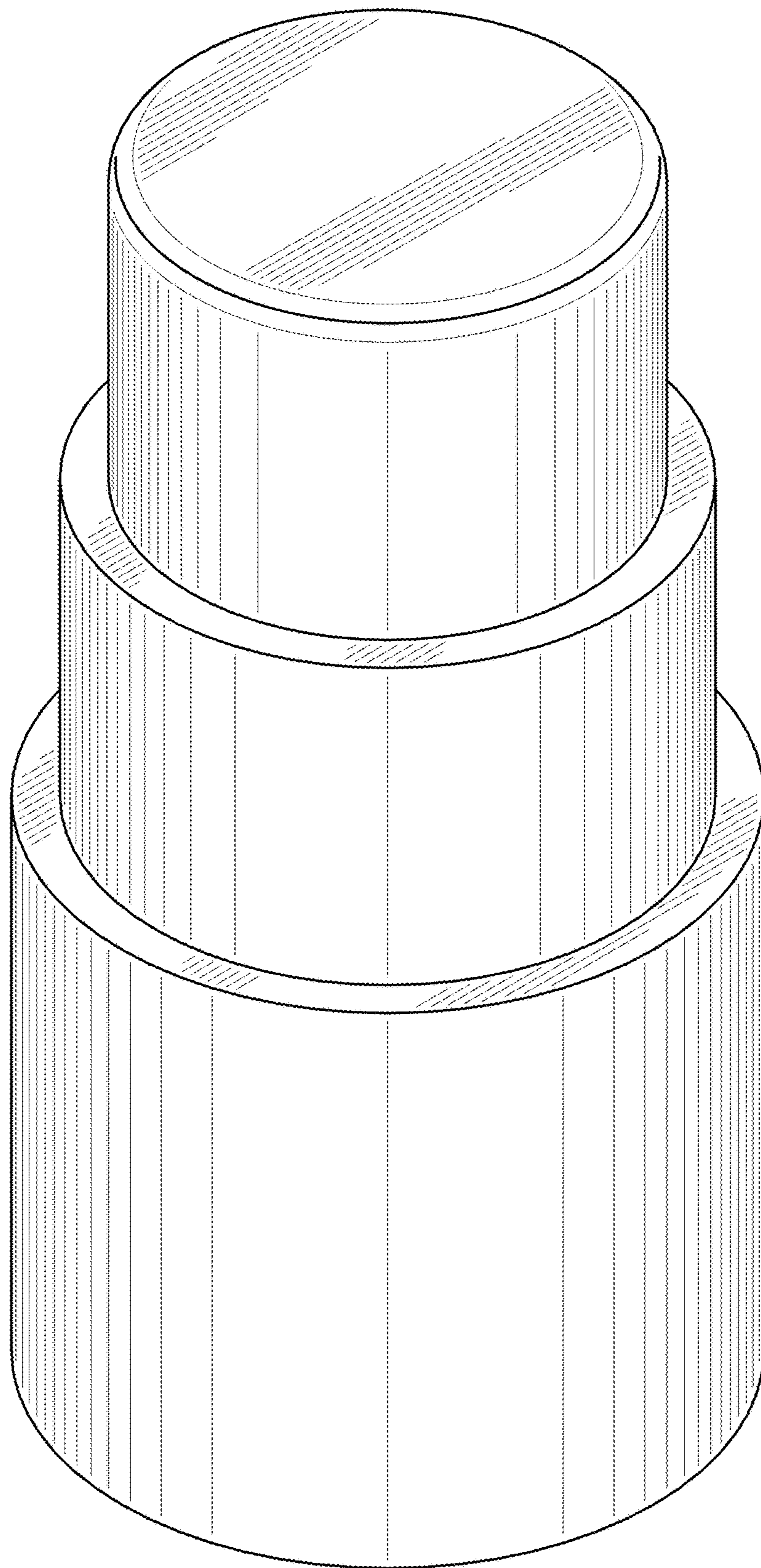


FIG. 1

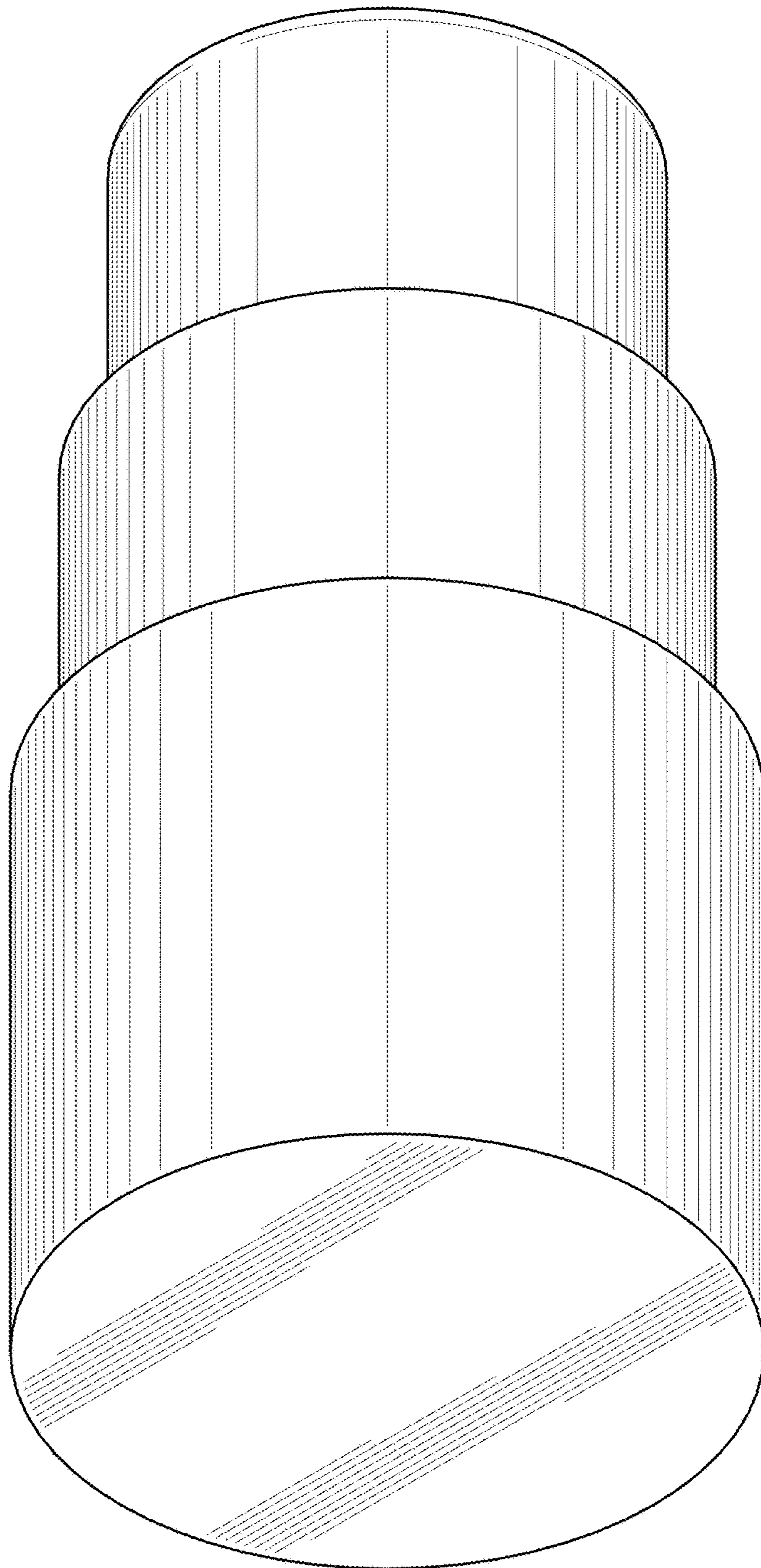


FIG. 2

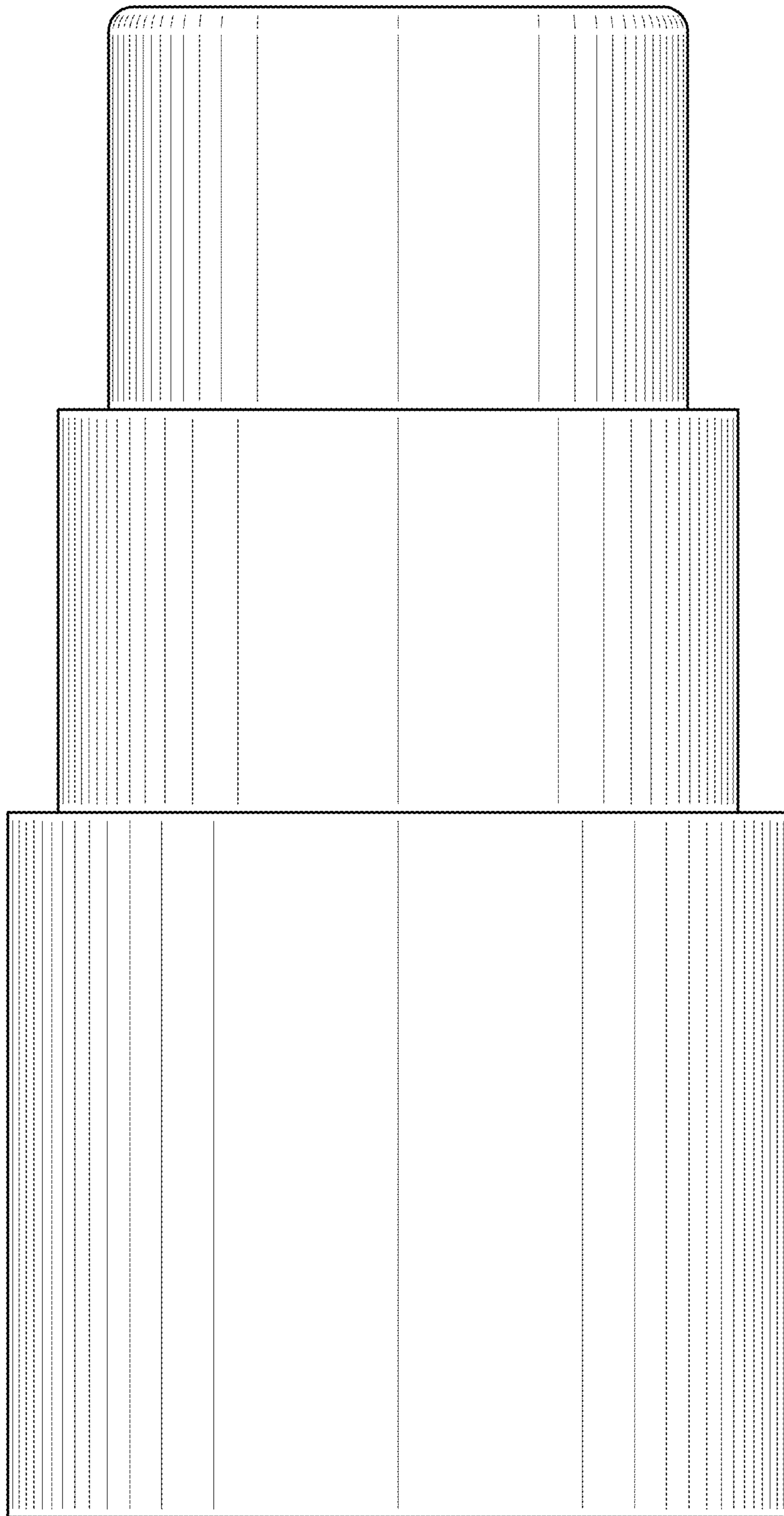


FIG. 3

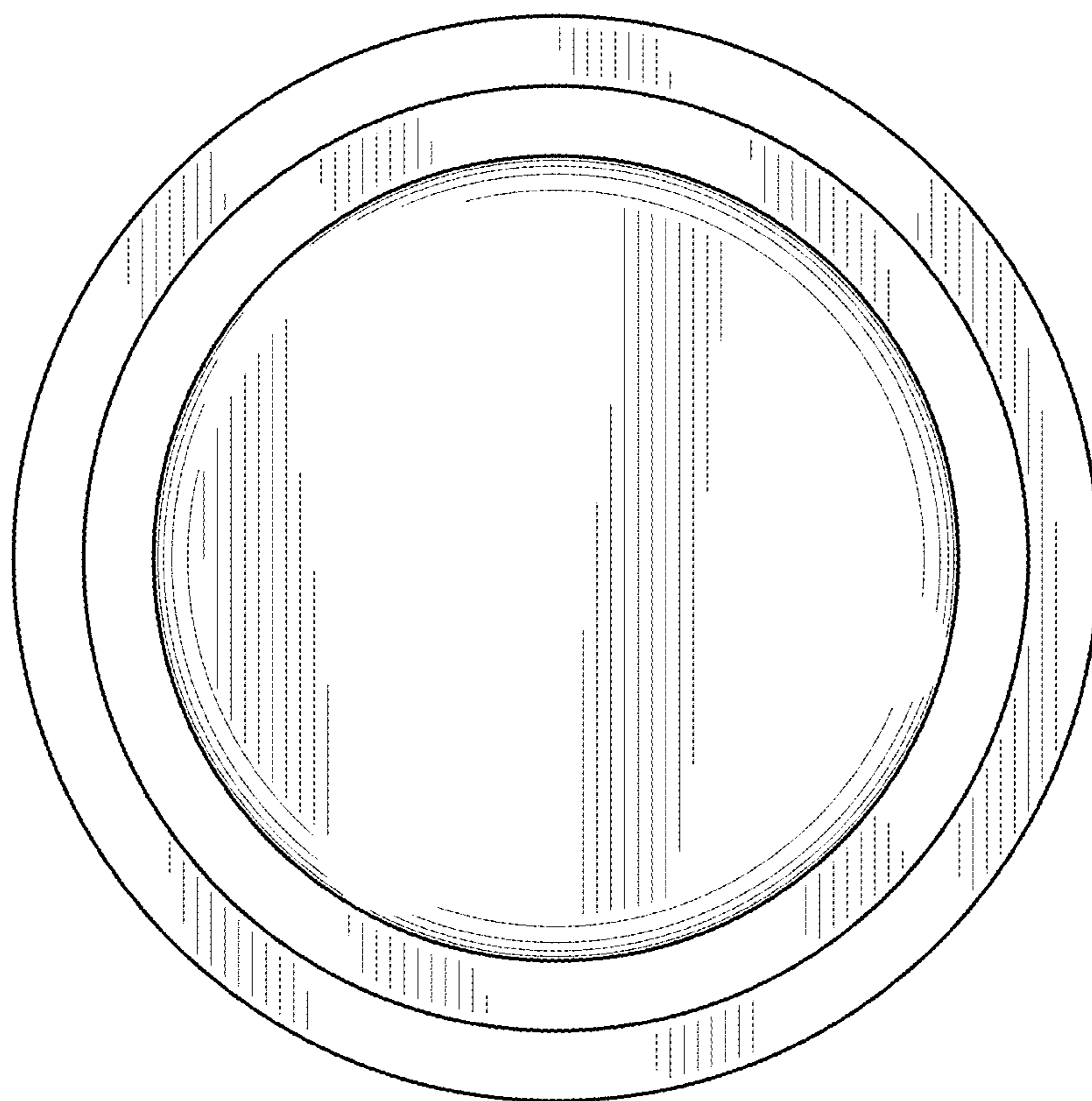


FIG. 4

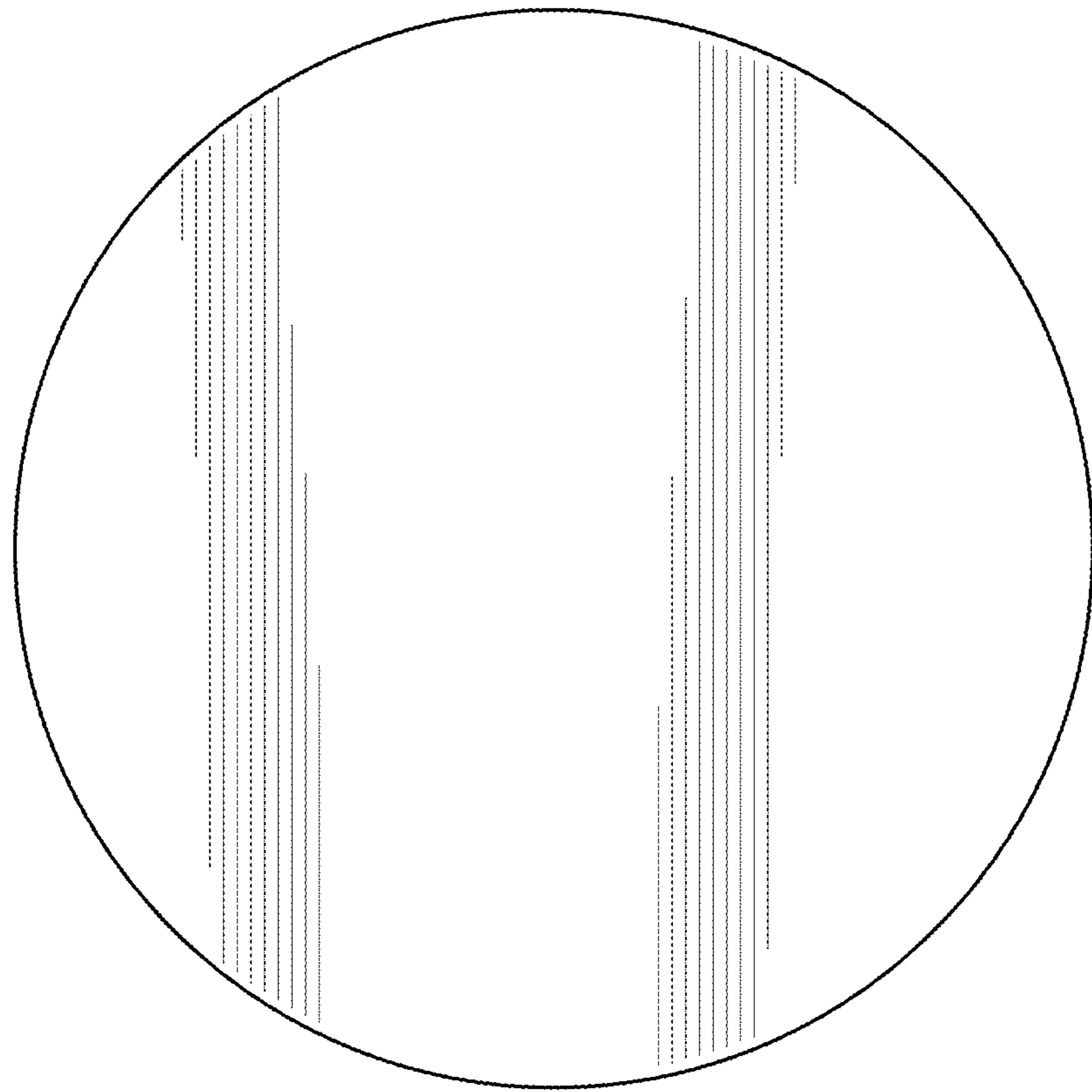


FIG. 5