



US00D781681S

(12) **United States Design Patent**  
**Nagaki et al.**

(10) **Patent No.:** **US D781,681 S**

(45) **Date of Patent:** **\*\* \*Mar. 21, 2017**

(54) **ROOF BRACKET**

(71) Applicants: **Jason T. Nagaki**, Castle Rock, CO  
(US); **Paul A. Riddell**, Castle Rock,  
CO (US)

(72) Inventors: **Jason T. Nagaki**, Castle Rock, CO  
(US); **Paul A. Riddell**, Castle Rock,  
CO (US)

(\*) Notice: This patent is subject to a terminal disclaimer.

(\*\*) Term: **14 Years**

(21) Appl. No.: **29/464,479**

(22) Filed: **Sep. 3, 2013**

(51) **LOC (10) Cl.** ..... **08-05**

(52) **U.S. Cl.**  
USPC ..... **D8/354**

(58) **Field of Classification Search**  
USPC ..... D8/349, 354–356, 363–376, 380, 381,  
D8/382, 384; D25/199, 119–125;  
248/215, 465.1, 112, 153, 175, 218.1,  
248/218.2, 302, 303  
CPC ..... E04G 21/1816; E04G 21/1808  
See application file for complete search history.

(56) **References Cited**

U.S. PATENT DOCUMENTS

2,120,195	A *	6/1938	Valenti	.....	52/513
3,349,494	A *	10/1967	Blake	.....	33/410
4,404,782	A *	9/1983	Williams et al.	.....	52/475.1
D290,223	S *	6/1987	Westerheim	.....	D8/349
D326,403	S *	5/1992	Kleiss	.....	D8/349

D337,514	S *	7/1993	Nasca	.....	D8/373
D344,354	S *	2/1994	Cole	.....	D25/124
D345,019	S *	3/1994	Cole	.....	D25/124
D347,286	S *	5/1994	Bancroft	.....	D25/124
D356,488	S *	3/1995	Gehiere	.....	D8/354
D357,175	S *	4/1995	Godfrey	.....	D8/382
D359,566	S *	6/1995	Schrader	.....	D25/124
5,873,211	A *	2/1999	Post et al.	.....	52/749.13
D528,931	S *	9/2006	Serpa	.....	D10/65
D558,039	S *	12/2007	Skinner	.....	D8/382
D662,805	S *	7/2012	Macdonald et al.	.....	D8/373
D702,532	S *	4/2014	Garrido et al.	.....	D8/354

\* cited by examiner

*Primary Examiner* — Elizabeth Albert

(74) *Attorney, Agent, or Firm* — Patent Law Offices of Rick Martin, P.C.

(57) **CLAIM**

The ornamental design for a roof bracket, as shown and described.

**DESCRIPTION**

FIG. 1 is a rear perspective view of our new design for a roof bracket;  
FIG. 2 is a top plan view of our new invention;  
FIG. 3 is a bottom plan view our new invention;  
FIG. 4 is a front elevation view of our new invention;  
FIG. 5 is a rear elevation view of our new invention;  
FIG. 6 is a right side elevation view of our new invention;  
and,  
FIG. 7 is a left side elevation view of our new invention.  
The broken lines are included for the purpose of showing materials in the environment that form no part of the claimed design.

**1 Claim, 4 Drawing Sheets**

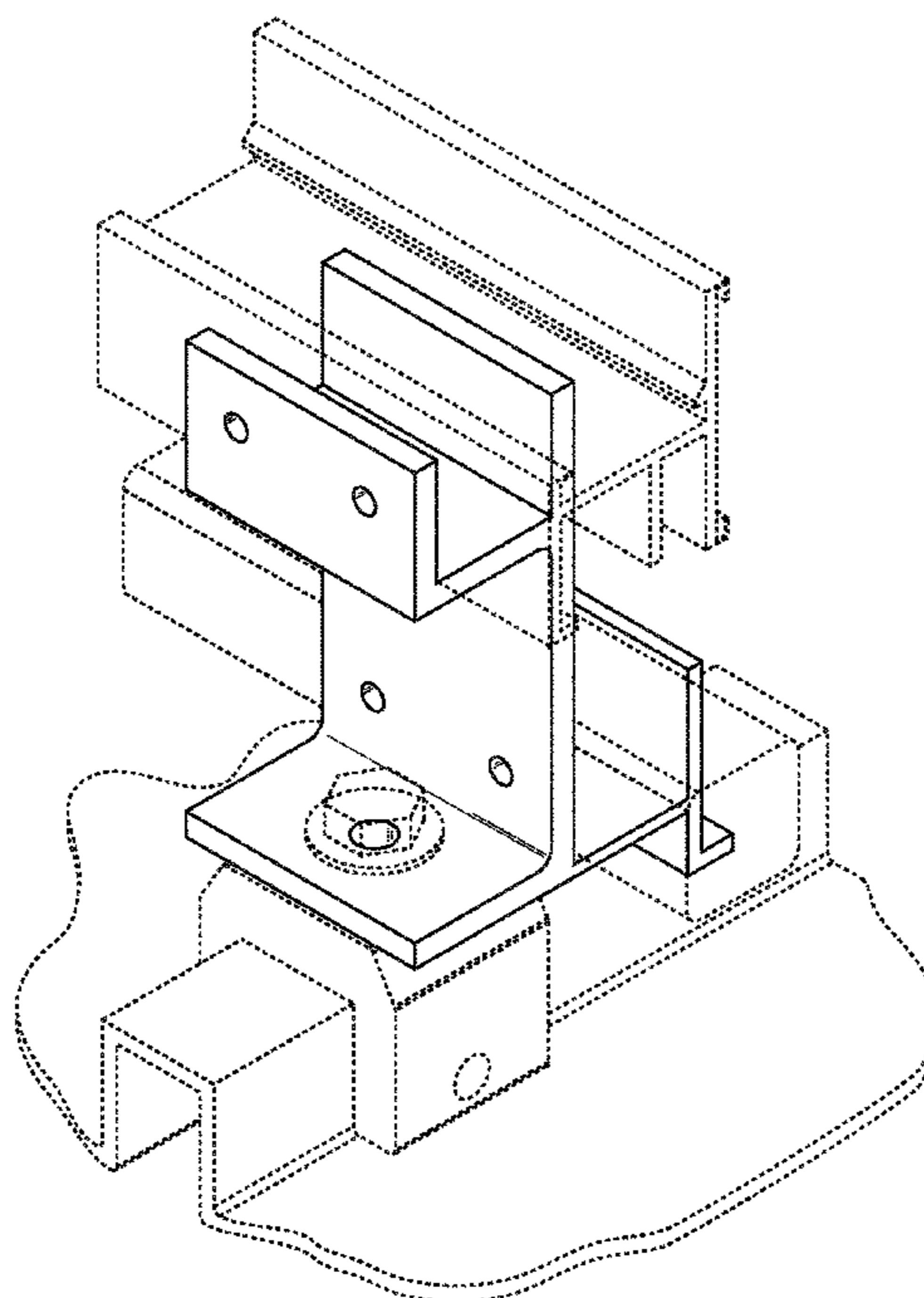


Fig. 1

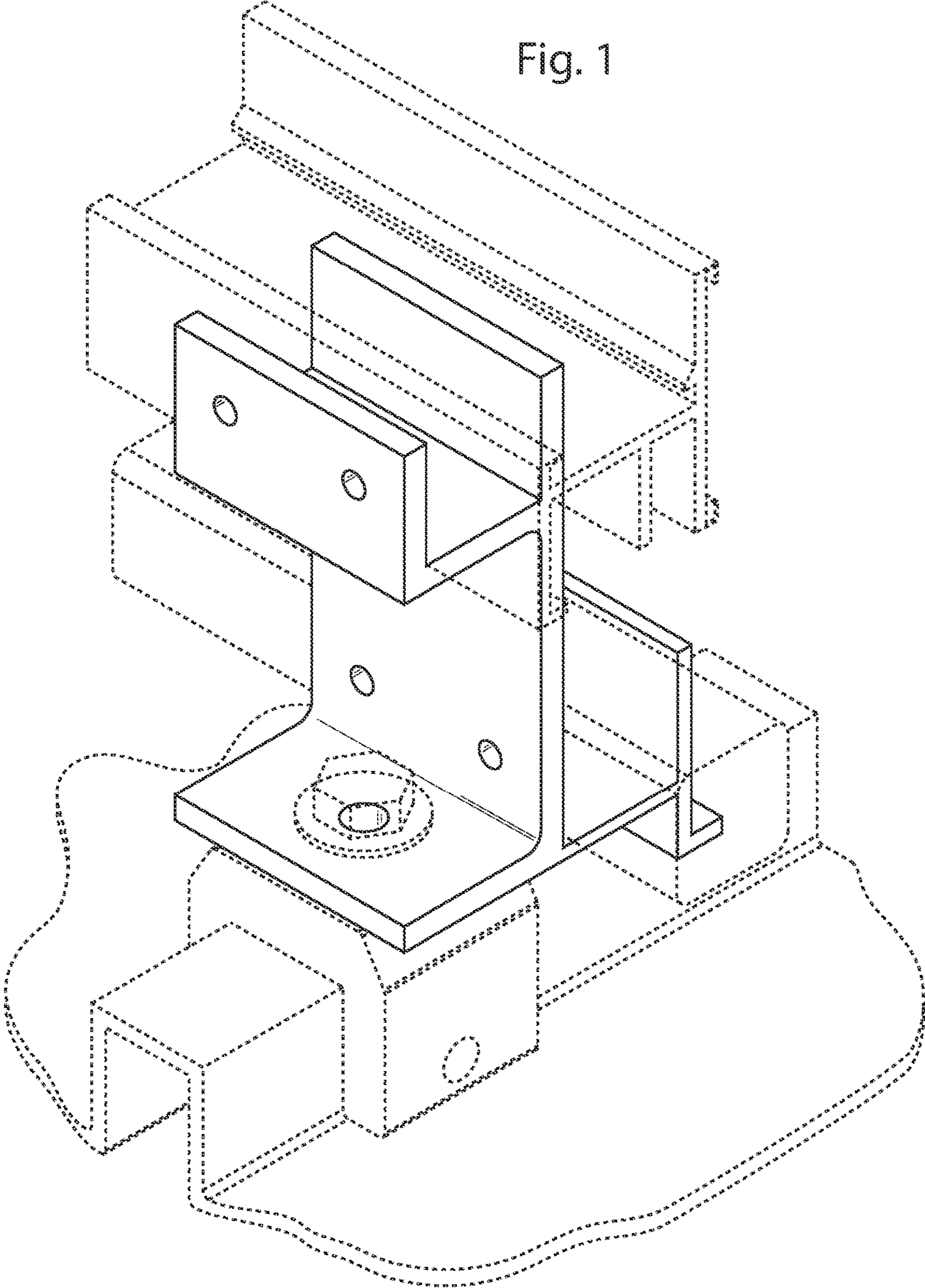


Fig. 2

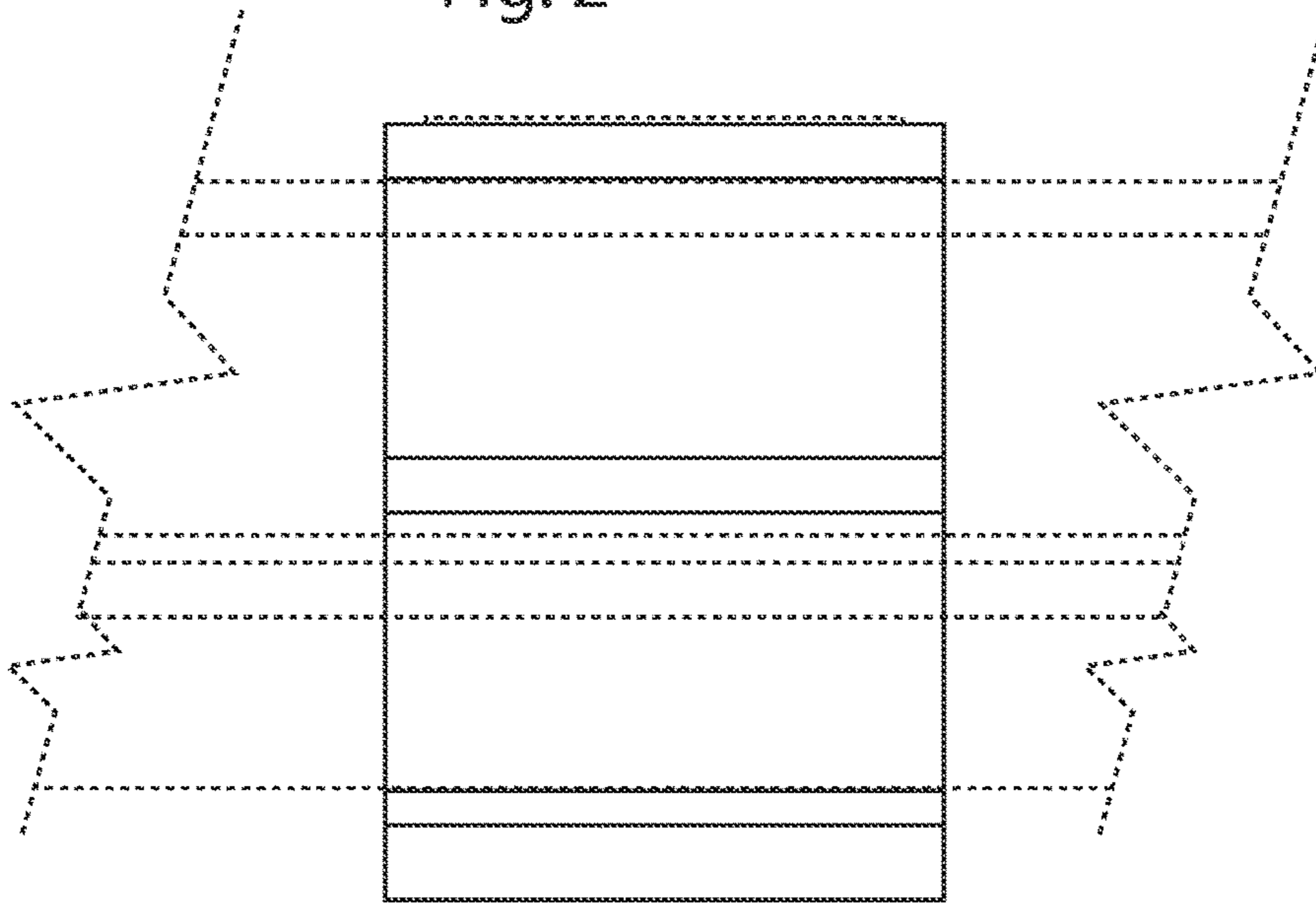


Fig. 3

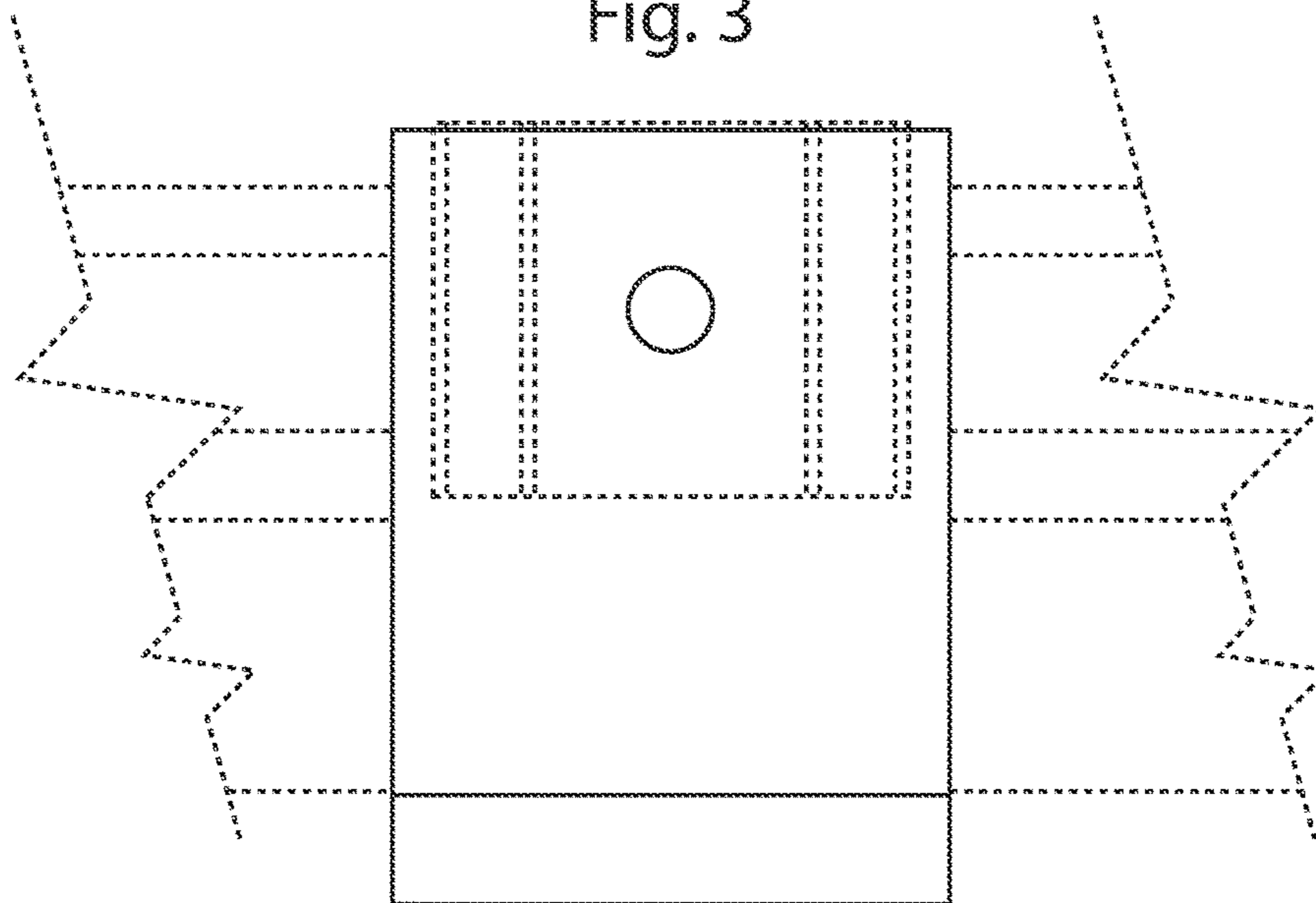


Fig. 5

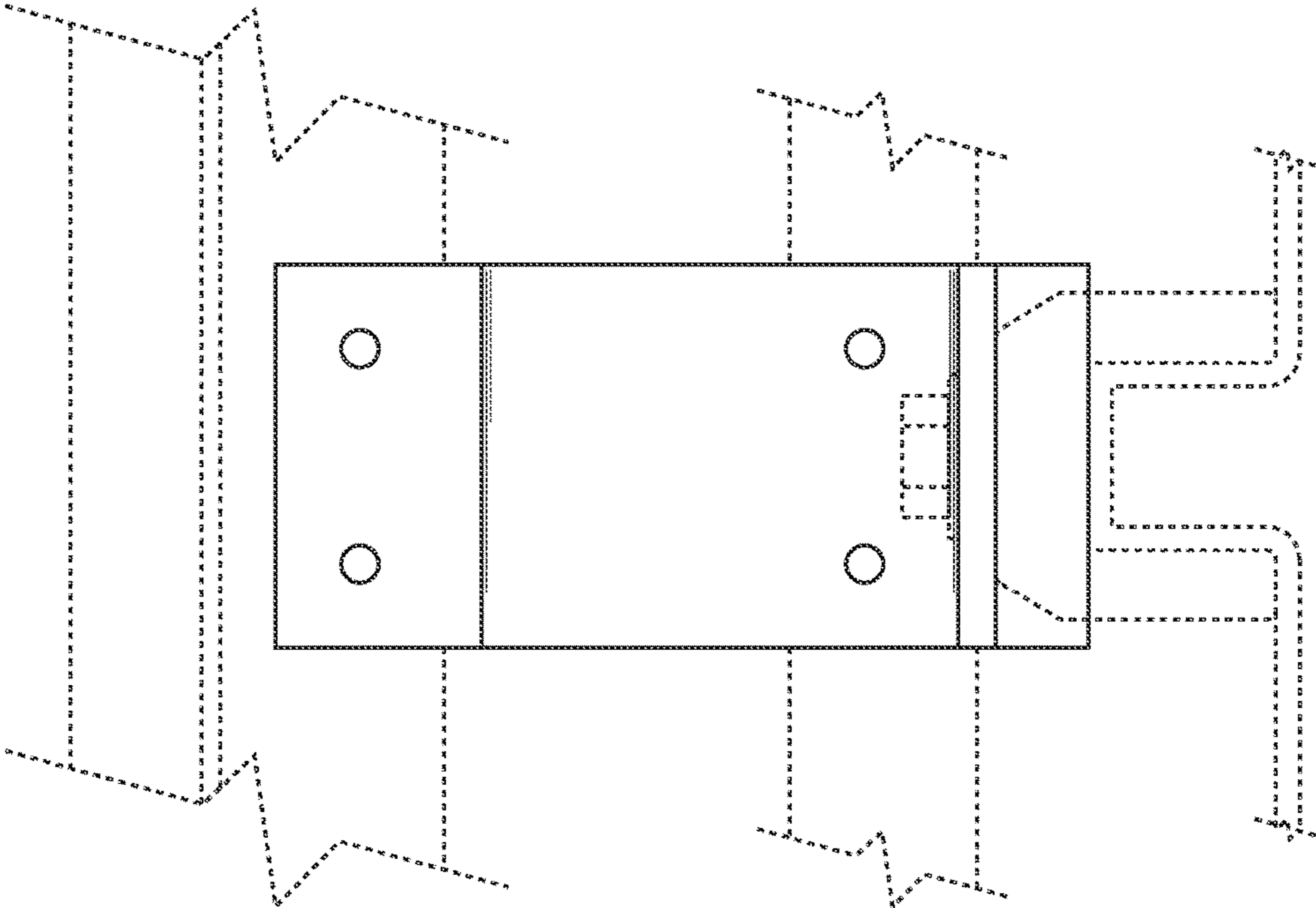


Fig. 4

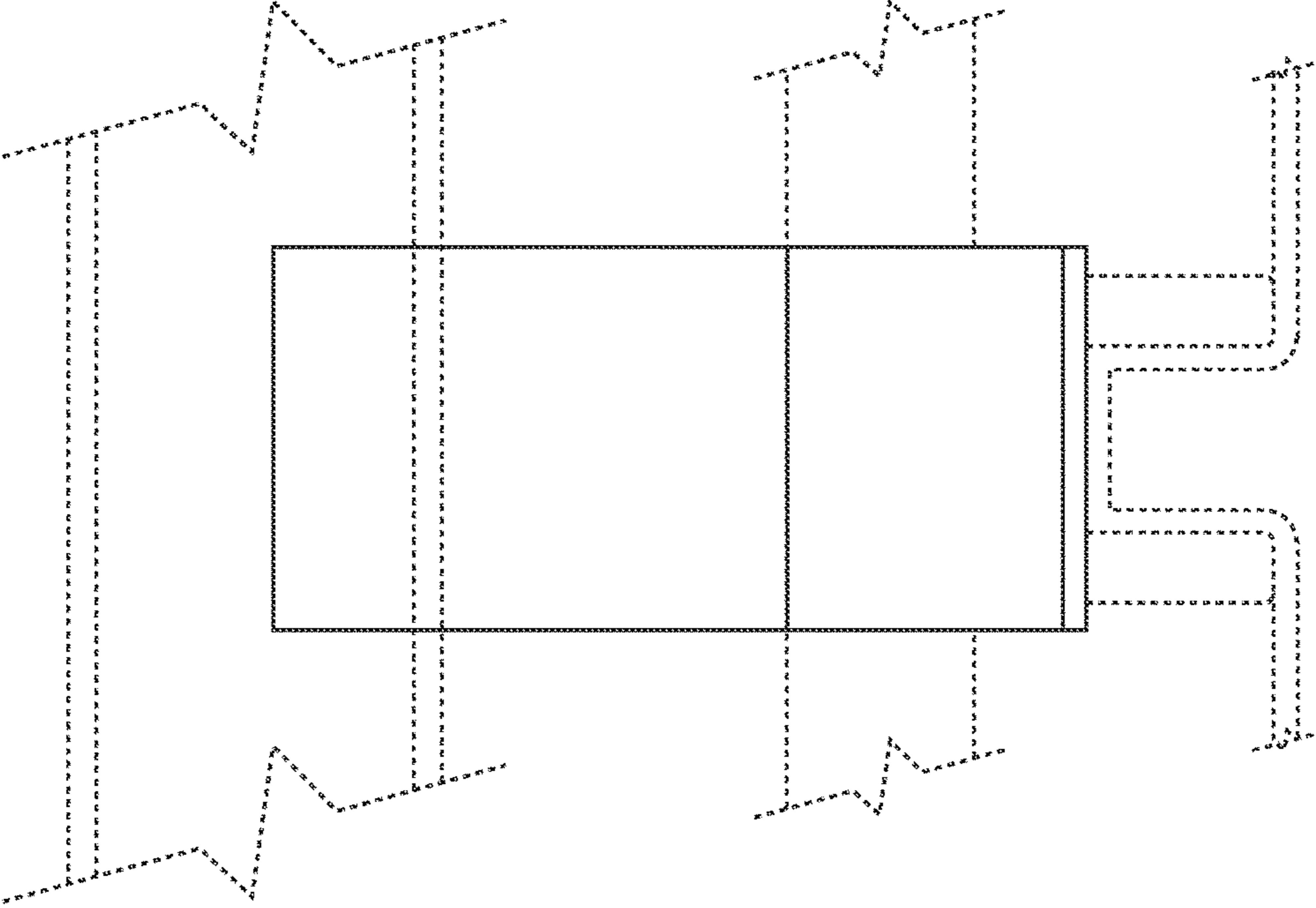


Fig. 7

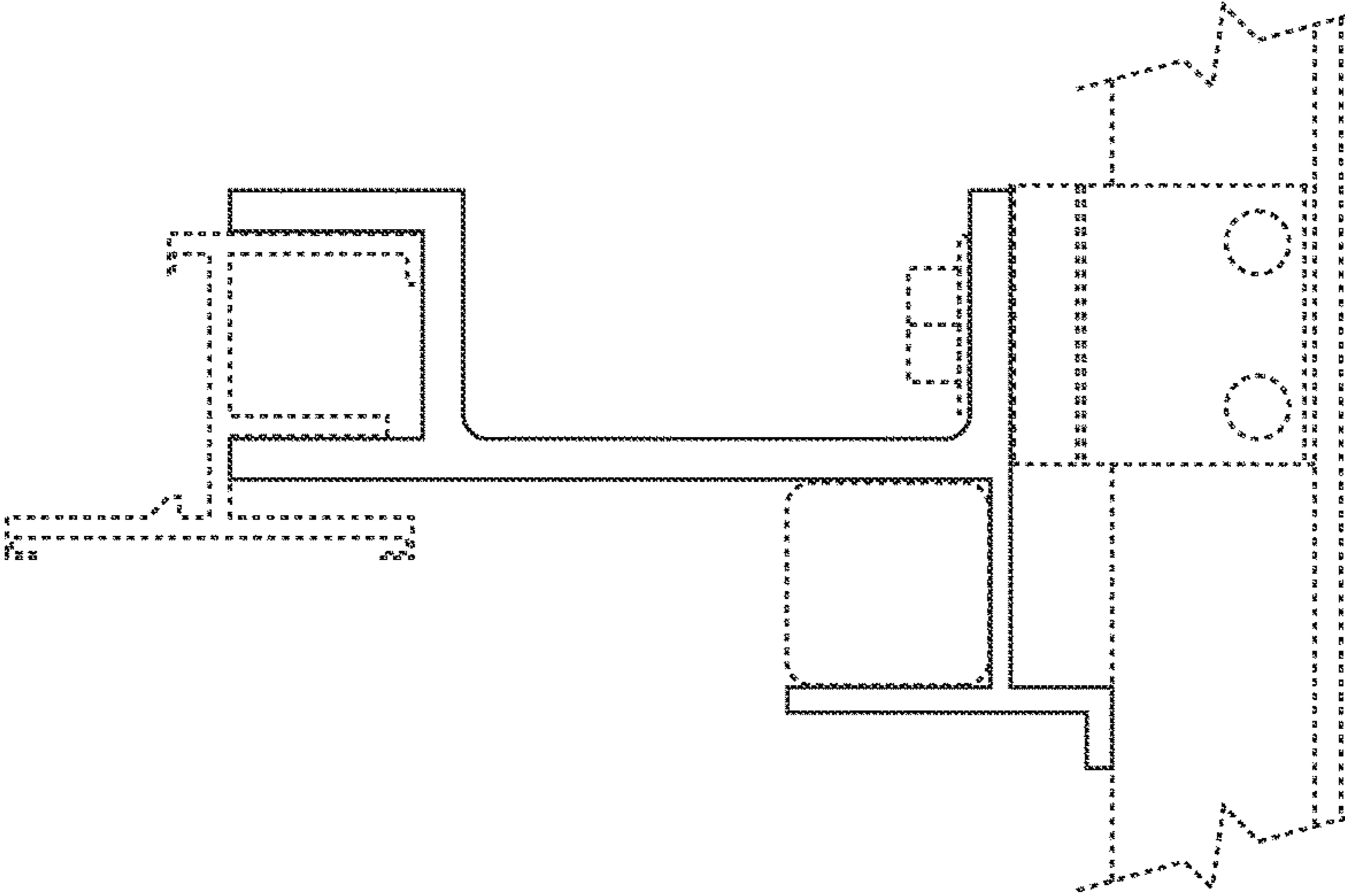


Fig. 6

