



US00D781680S

(12) **United States Design Patent**  
**Lylyk et al.**

(10) **Patent No.:** **US D781,680 S**  
(45) **Date of Patent:** **\*\* Mar. 21, 2017**

(54) **DEADBOLT FOR DOOR ASSEMBLY**  
(71) Applicant: **Tyto Life LLC**, Burlingame, CA (US)  
(72) Inventors: **Nicolas Pedro Lylyk**, Palo Alto, CA (US); **John Hillerich Martin**, Atherton, CA (US)  
(73) Assignee: **Tyto Life LLC**, Burlingame, CA (US)

(\*\*) Term: **15 Years**  
(21) Appl. No.: **29/545,910**

(22) Filed: **Nov. 17, 2015**  
(51) **LOC (10) Cl.** ..... **08-07**  
(52) **U.S. Cl.**  
USPC ..... **D8/331; D8/343**  
(58) **Field of Classification Search**  
USPC ..... D8/330, 331, 334, 337, 300, 302, 350, D8/341, 343, 348, 352; 70/14, 20-22, 57, 70/284-286, 314, 229, 230, DIG. 44, 70/DIG. 38, DIG. 39; 292/2, 327, 346  
CPC ... E05B 9/00; E05B 9/06; E05B 29/00; E05B 37/00; E05B 59/00; E05N 13/00; E05C 1/00  
See application file for complete search history.

(56) **References Cited**  
U.S. PATENT DOCUMENTS  
5,316,353 A \* 5/1994 McKernan ..... E05B 15/1614 292/337  
D362,170 S \* 9/1995 Hollenbeck ..... D8/331  
5,613,715 A \* 3/1997 Kim ..... E05B 63/06 292/1.5  
5,743,573 A \* 4/1998 Huang ..... E05B 55/005 292/1.5

5,896,769 A \* 4/1999 Elpern ..... E05B 47/0012 70/279.1  
5,979,199 A \* 11/1999 Elpern ..... G07C 9/00182 292/201  
6,318,769 B1 \* 11/2001 Kang ..... E05B 63/06 292/1.5  
6,837,527 B1 \* 1/2005 Laurenzana ..... E05B 15/0205 292/340  
7,275,773 B1 \* 10/2007 Weathersby ..... E05B 63/06 292/1.5

(Continued)

*Primary Examiner* — Prabhakar Deshmukh  
(74) *Attorney, Agent, or Firm* — Nelson Mullins Riley & Scarborough LLP; Anthony A. Laurentano

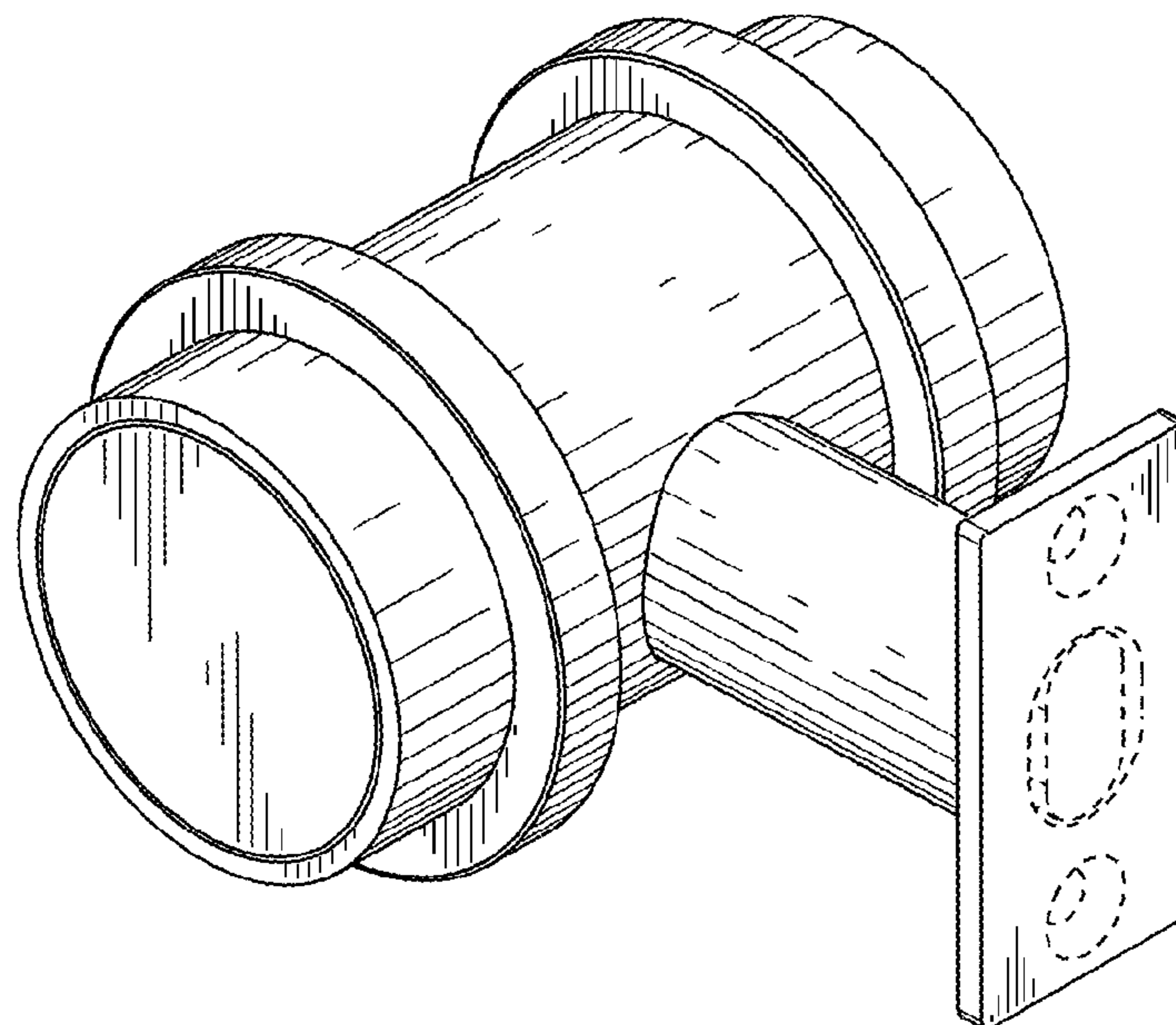
(57) **CLAIM**

The ornamental design for a deadbolt for door assembly, as shown and described.

**DESCRIPTION**

FIG. 1 is a top, front and right perspective view of a deadbolt for door assembly showing our new design; FIG. 2 is a top, rear and left perspective view thereof; FIG. 3 is a top plan view thereof; FIG. 4 is a front elevational view thereof; FIG. 5 is a rear elevational view thereof; FIG. 6 is a left side elevational view thereof; FIG. 7 is a right side elevational view thereof; and, FIG. 8 is a perspective view thereof, showing in the environmental use.  
The deadbolt for door assembly details shown in dashed lines are for illustrative purposes only and form no part of the claimed ornamental design.  
The dash lines in FIG. 8 represent the environment while other dash lines represent unclaimed portions of the design, None of the dash lines form part of the claimed design.

**1 Claim, 4 Drawing Sheets**



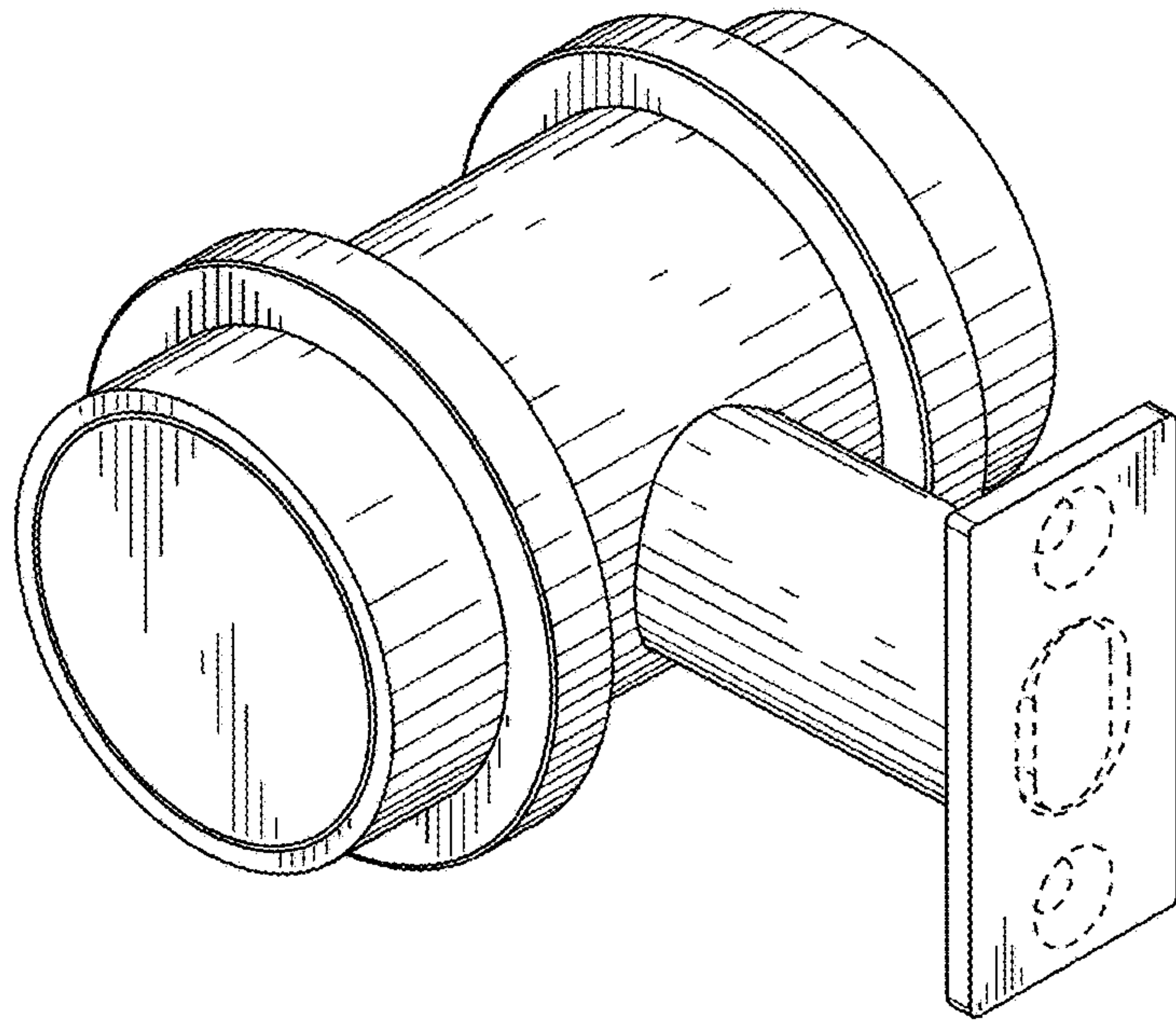
(56)

**References Cited**

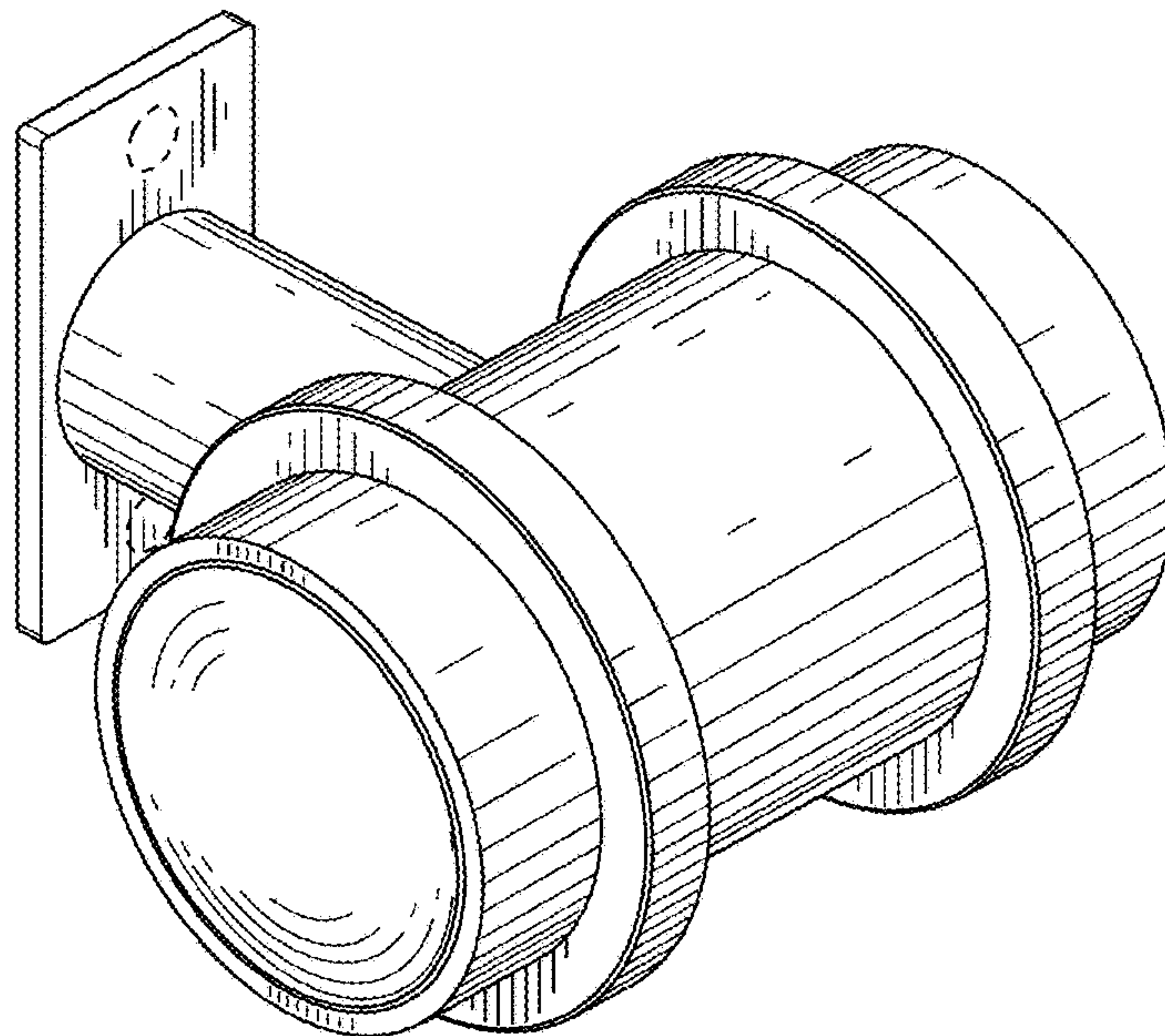
U.S. PATENT DOCUMENTS

7,596,975 B1 \* 10/2009 Yuan ..... E05B 9/08  
70/134  
D669,170 S \* 10/2012 Boehm ..... D24/130

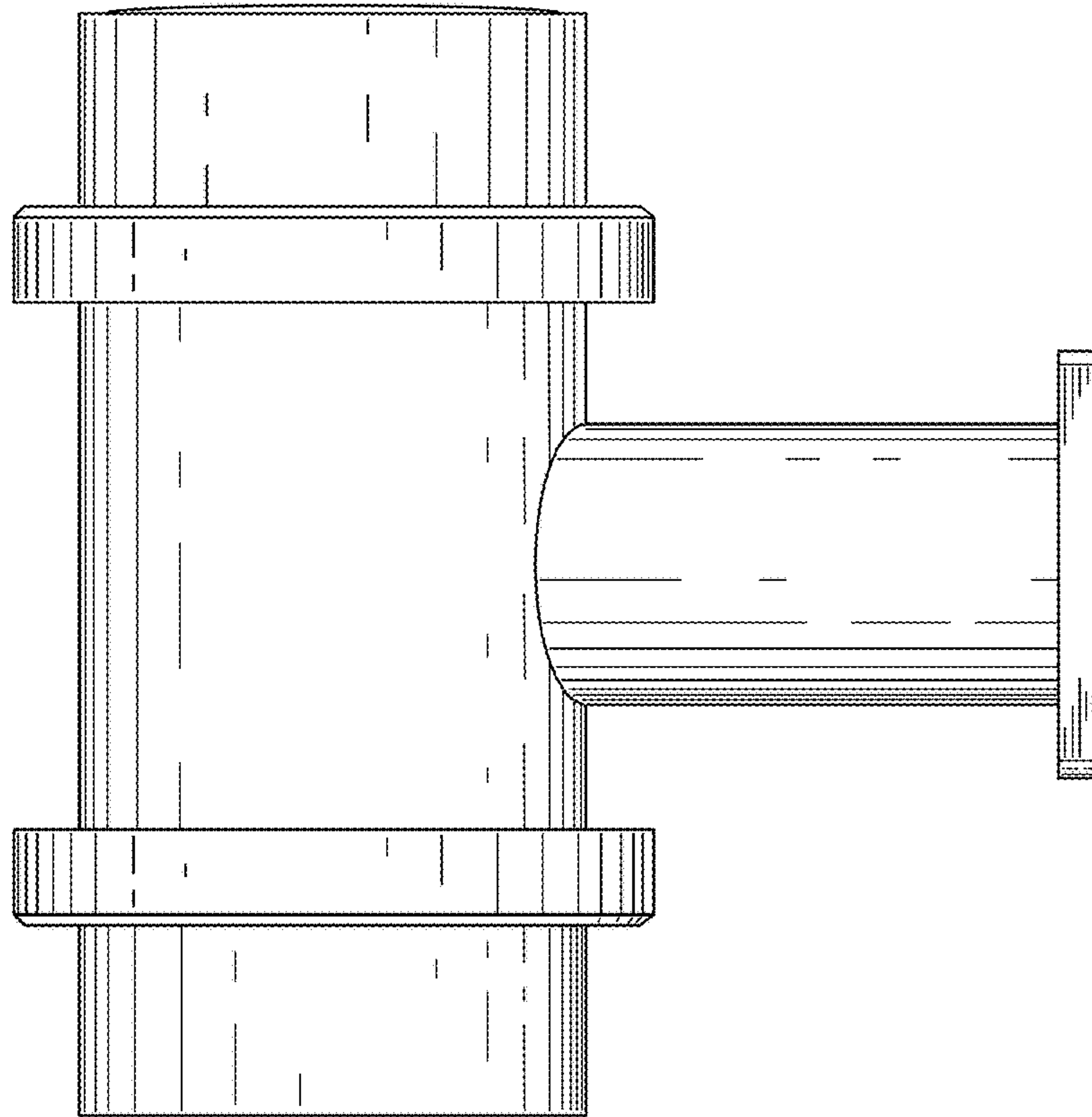
\* cited by examiner



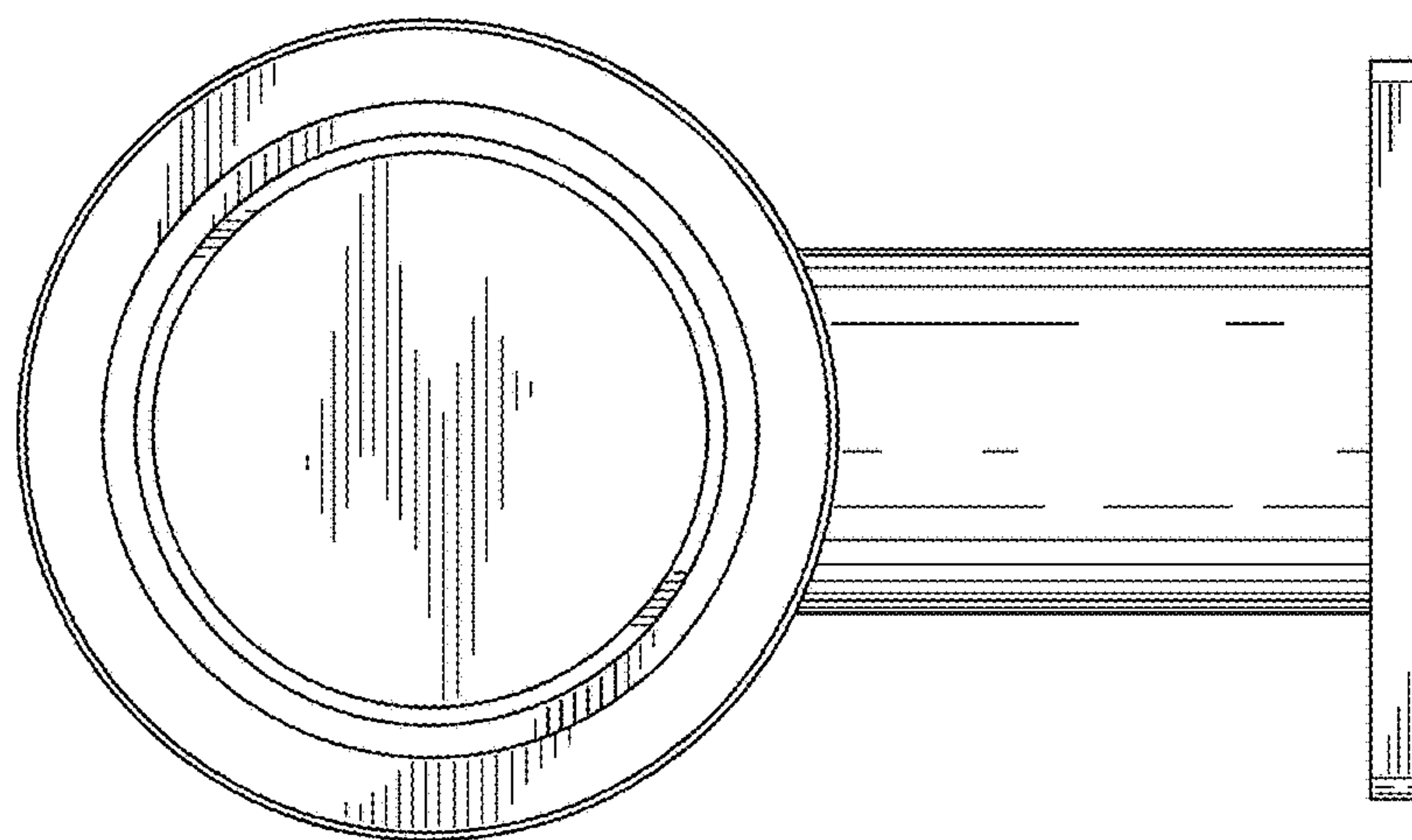
**Fig. 1**



**Fig. 2**

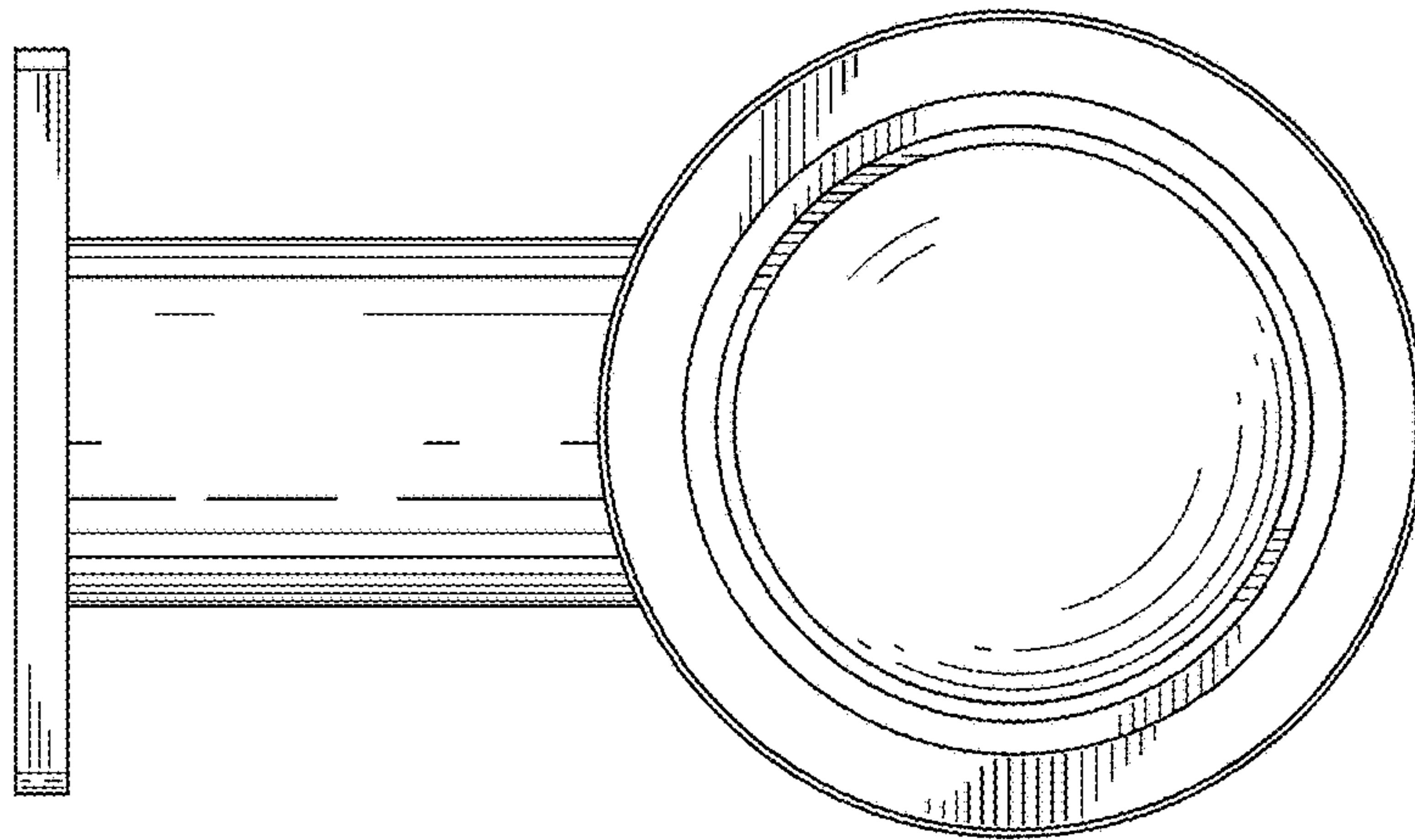


**Fig. 3**

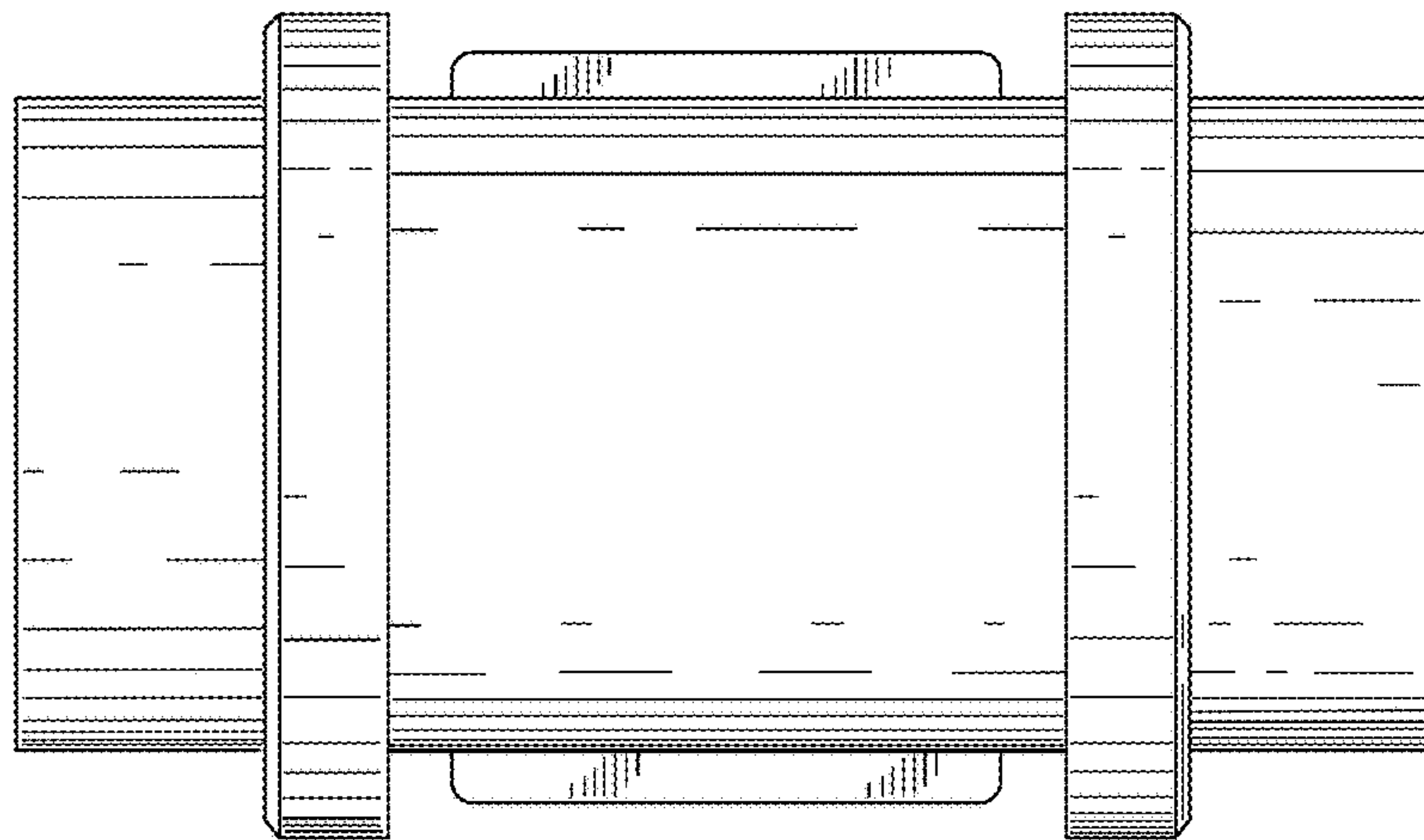


**Fig. 4**

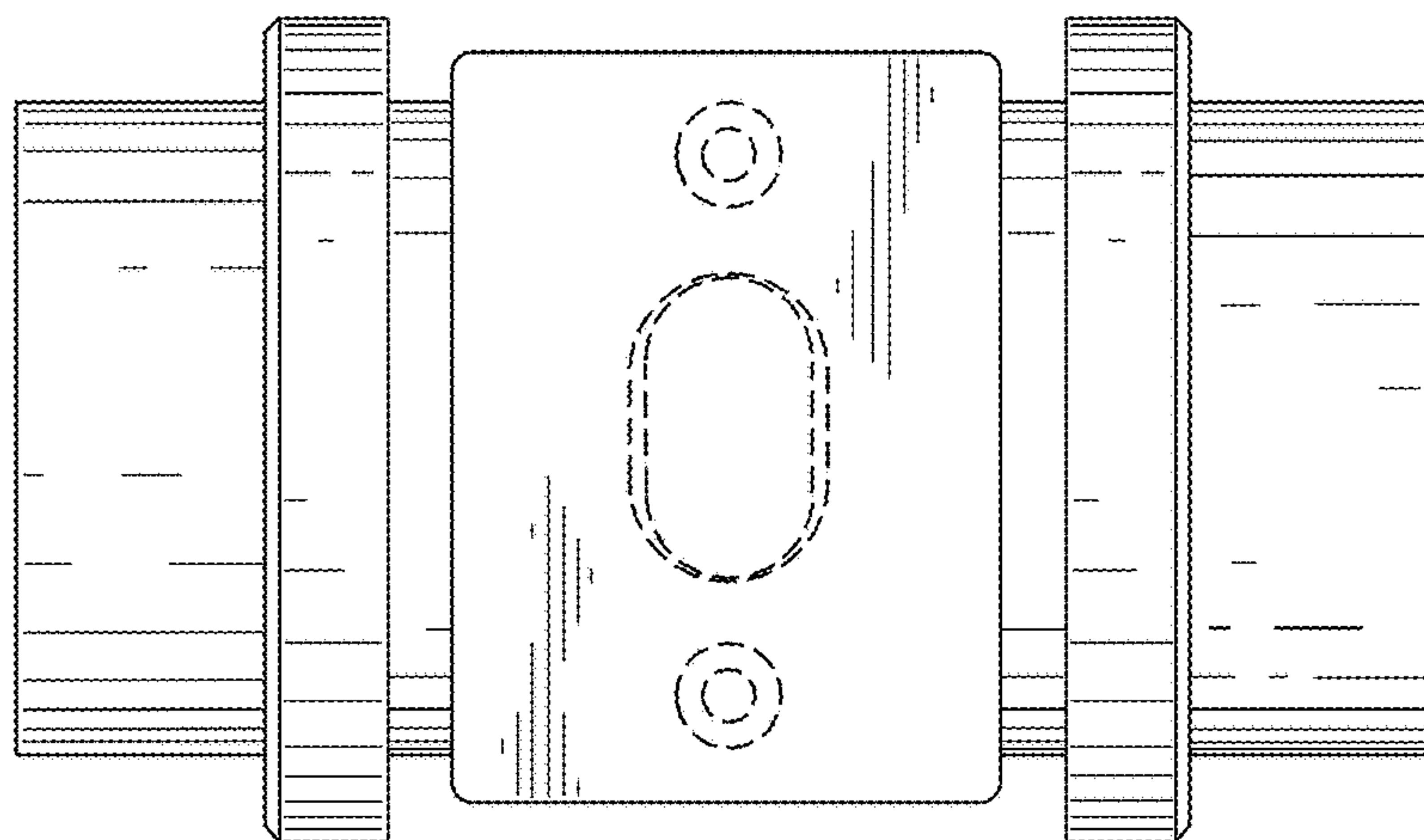




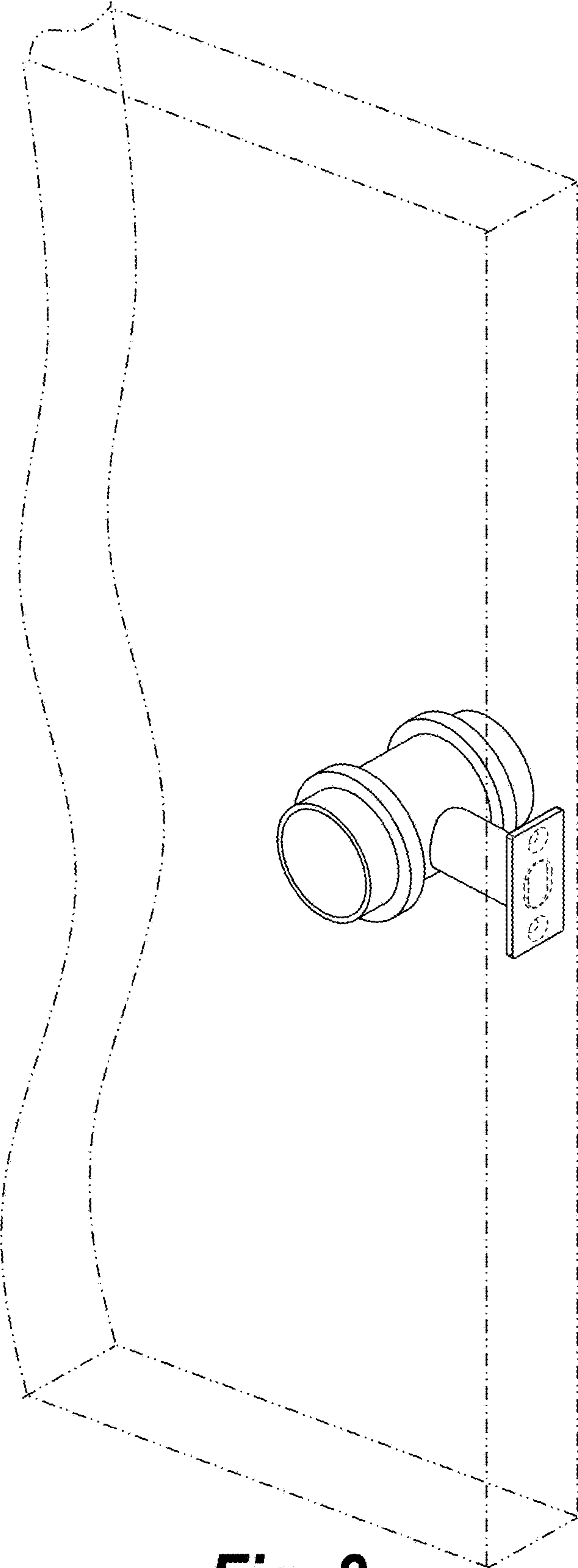
**Fig. 5**



**Fig. 6**



**Fig. 7**



**Fig. 8**