



US00D781677S

(12) **United States Design Patent**
Saunders et al.

(10) **Patent No.:** **US D781,677 S**
(45) **Date of Patent:** **** Mar. 21, 2017**

(54) **TOOL HOLDER**
(71) Applicant: **Lee Valley Tools Ltd.**, Ottawa (CA)
(72) Inventors: **Terry R. Saunders**, North Gower (CA); **Paul Roach**, Ottawa (CA)
(73) Assignee: **Lee Valley Tools Ltd.**, Ottawa, Ontario (CA)

4,679,606 A 7/1987 Bassett
D291,528 S * 8/1987 Degen D8/71
4,733,704 A 3/1988 Wolff
4,770,573 A 9/1988 Monobe
4,779,327 A 10/1988 Vander Maas
4,893,661 A 1/1990 Onsrud
5,016,358 A 5/1991 Rice et al.
(Continued)

(**) Term: **15 Years**

CMT Tools Catalog 18, 1995-96, p. 44.

(Continued)

(21) Appl. No.: **29/530,370**

(22) Filed: **Jun. 16, 2015**

(51) **LOC (10) Cl.** **08-05**

(52) **U.S. Cl.**
USPC **D8/71**

(58) **Field of Classification Search**
USPC D8/70, 71; D15/132, 140; 408/14, 112, 408/202, 712

CPC B25F 5/021; B27C 9/005
See application file for complete search history.

Primary Examiner — Lakiya Rogers
Assistant Examiner — Harold Blackwell, II
(74) *Attorney, Agent, or Firm* — Kilpatrick Townsend & Stockton LLP

(57) **CLAIM**

The ornamental design for a tool holder, as shown and described.

DESCRIPTION

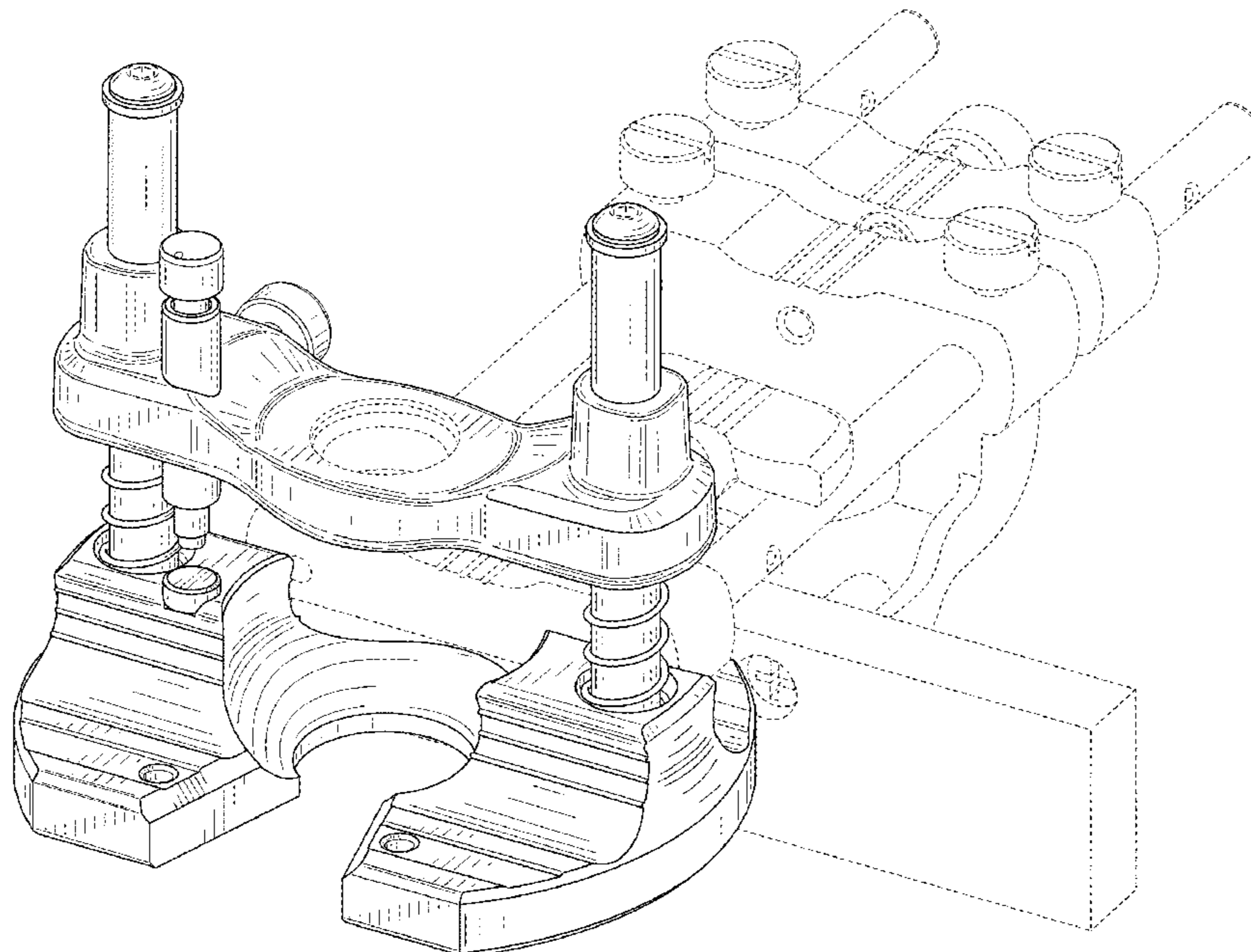
FIG. 1 is an isometric view of the tool holder assembled with a fence component and an adjuster component; FIG. 2 is an isometric view of the tool holder of FIG. 1; FIG. 3 is a front view of the tool holder of FIG. 1; FIG. 4 is a rear view of the tool holder of FIG. 1; FIG. 5 is a right side view of the tool holder of FIG. 1; FIG. 6 is a left side view of the tool holder of FIG. 1; FIG. 7 is a top view of the tool holder of FIG. 1; and, FIG. 8 is a bottom view of the tool holder of FIG. 1. The broken lines in the drawings illustrate an attachment for the tool holder and form no part of the claimed design.

(56) **References Cited**

U.S. PATENT DOCUMENTS

554,333 A 2/1896 Cook
1,829,393 A 10/1931 Carter
1,889,653 A 11/1932 Gorton
3,435,730 A 4/1969 Berberian
3,710,833 A 1/1973 Hammer et al.
D240,703 S * 7/1976 Russell D8/71
4,158,987 A 6/1979 Smith
4,335,765 A 6/1982 Murphy
4,484,608 A 11/1984 Ferdinand et al.
4,537,234 A 8/1985 Onsrud

1 Claim, 8 Drawing Sheets



(56)

References Cited

OTHER PUBLICATIONS

U.S. PATENT DOCUMENTS

5,025,841	A	6/1991	Totten	
5,139,061	A	8/1992	Neilson	
5,195,730	A	3/1993	Taylor	
5,289,861	A	3/1994	Hedrick	
5,345,984	A	9/1994	Ardesson	
5,398,740	A	3/1995	Miller	
5,553,644	A	9/1996	Adams	
5,715,880	A	2/1998	Tucker et al.	
5,725,036	A	3/1998	Walter	
5,725,038	A	3/1998	Tucker et al.	
5,768,966	A	6/1998	Duginske	
5,779,407	A	7/1998	Tucker et al.	
5,779,467	A	7/1998	Gardner	
5,890,524	A	4/1999	Tucker et al.	
5,918,652	A	7/1999	Tucker	
6,289,952	B1	9/2001	Jones et al.	
6,405,654	B1	6/2002	Smith	
6,550,154	B1	4/2003	Smith	
D474,093	S *	5/2003	Chang	D8/70
6,739,066	B2	5/2004	Smith	
6,792,984	B2	9/2004	Fontaine	
RE38,612	E	10/2004	Tucker et al.	
6,948,892	B2	9/2005	Hummel	
7,108,463	B2	9/2006	Hummel	
7,409,973	B2	8/2008	Hyde	
8,235,080	B2	8/2012	Lee	
D700,495	S	3/2014	Hyde	
D736,584	S *	8/2015	Larson	D8/71
2005/0072490	A1 *	4/2005	Baber	B25F 5/021 144/136.95
2005/0230003	A1	10/2005	Radermacher	

Highland Hardware Early Fall 1993 Sale Catalog, pp. 46-48.
 Lee Valley Catalog entitled "Fine Woodworking Tools", 1991-1992, p. 108.
 McFeely's Square Drive Screws Catalog, 1995, McFeely's, pp. 60-61.
 The Woodworkers' Store®, 1993-1994 Catalog #C-93, pp. 99-100.
 Trend-lines® Woodworkers Warehouse® Catalog 508H, 1993 Trend-Lines, Inc., pp. 10, 42.
 Woodcraft® Catalog entitled "Uncommon Woodworking Tools", 1995, Woodhaven, Inc., pp. 3, 5, 10-13.
 Woodworker's Supply, Inc., Catalog #76, Aug. 1992, p. 36.
 Pages printed from The Old School Godney Wells Website (<http://www.woodrat.com>) related to the WoodRat Guide to Jointing, Sep. 13, 1998.
 Pages (3) printed from C.R. Onsrud's Website (<http://www.cronsrud.com/page5.html>) related to the 2003 C.R. Onsrud Inverted Router, Jun. 29, 1999.
 Pages (3) printed from C.R. Onsrud's Website (<http://www.cronsrud.com/page4.html>) related to the 3025 C.R. Onsrud Inverted Router, Jun. 29, 1999.
 Pages (4) printed from C.R. Onsrud's Website (<http://www.cronsrud.com/page4.html>) related to the 36210 C.R. Onsrud Inverted Router, Jun. 29, 1999.
 Pages (3) printed from C.R. Onsrud's Website (<http://www.cronsrud.com/page2.html>) for general information regarding the C.R. Onsrud Inverted Router, Jun. 29, 1999.
 Woodcraft®, Jan. 1996 Catalog, p. 74.

* cited by examiner

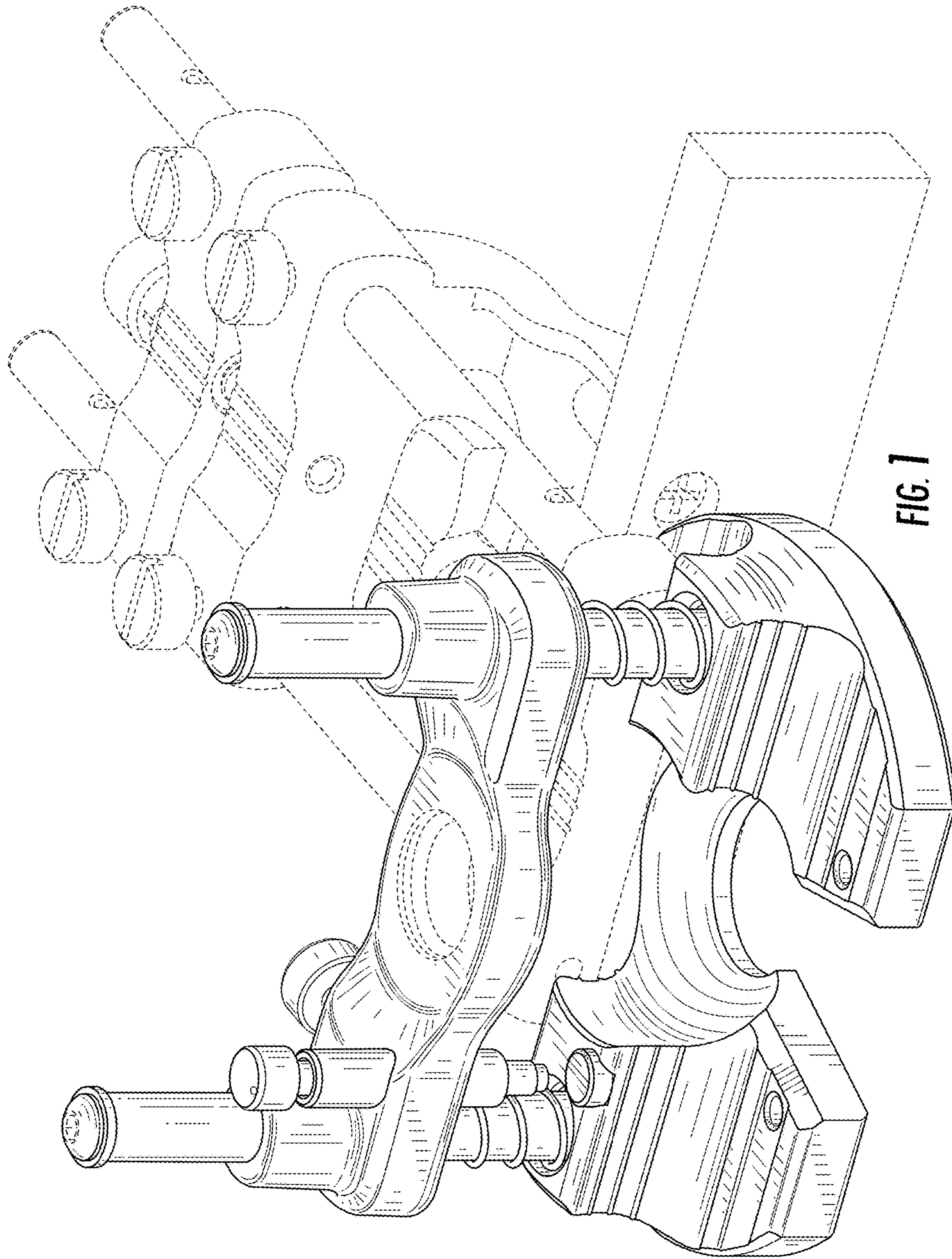


FIG. 1

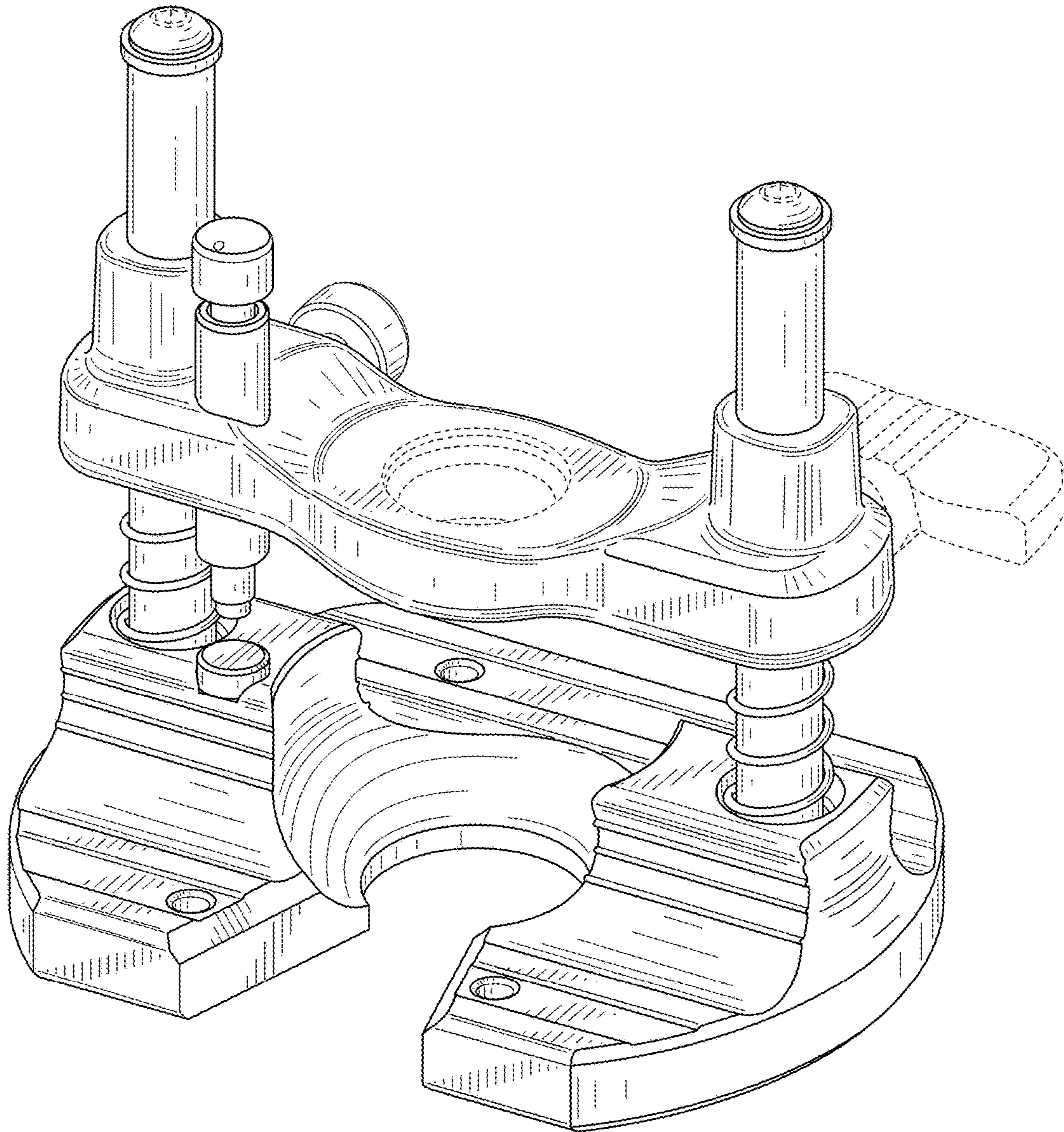


FIG. 2

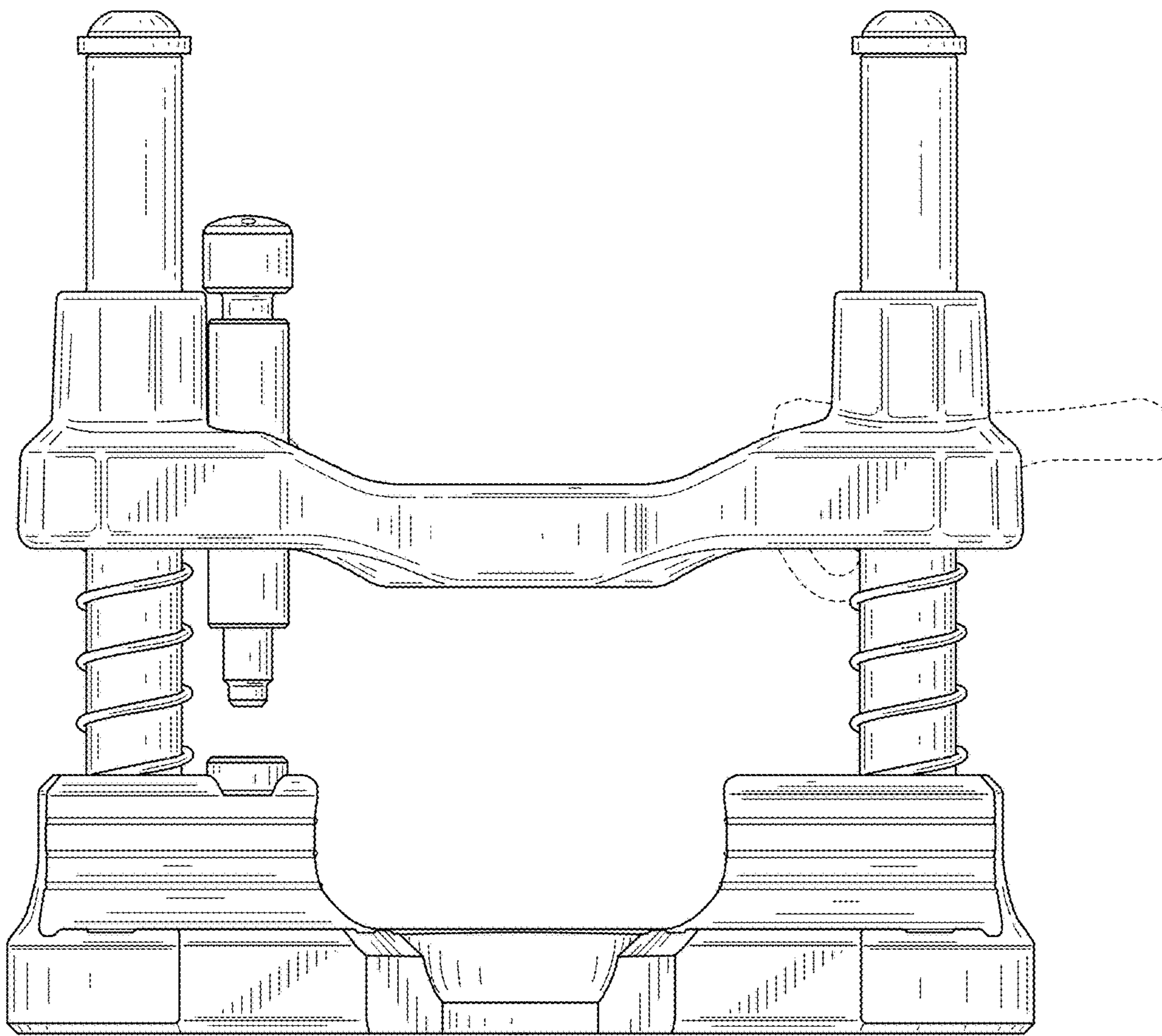


FIG. 3

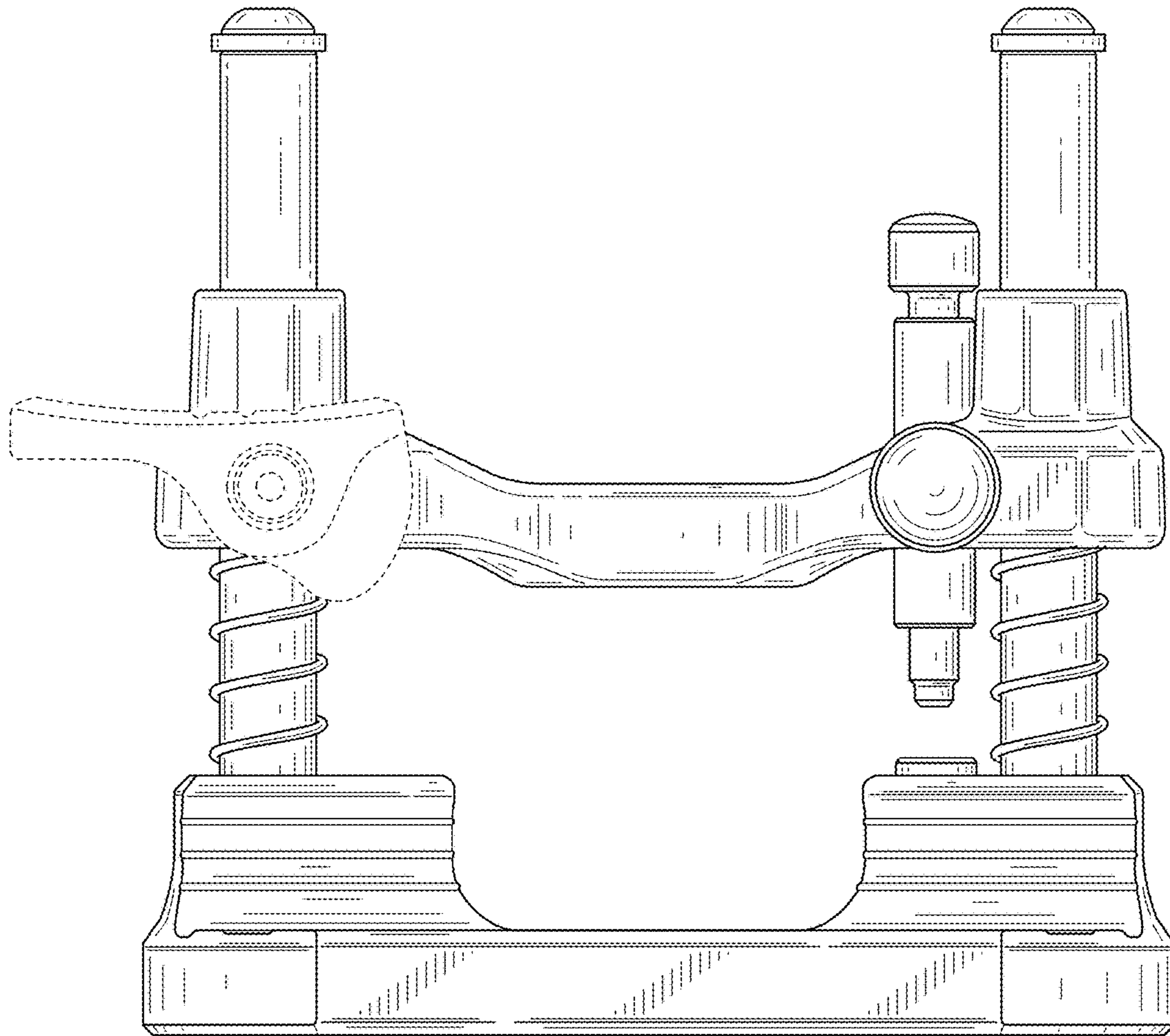


FIG. 4

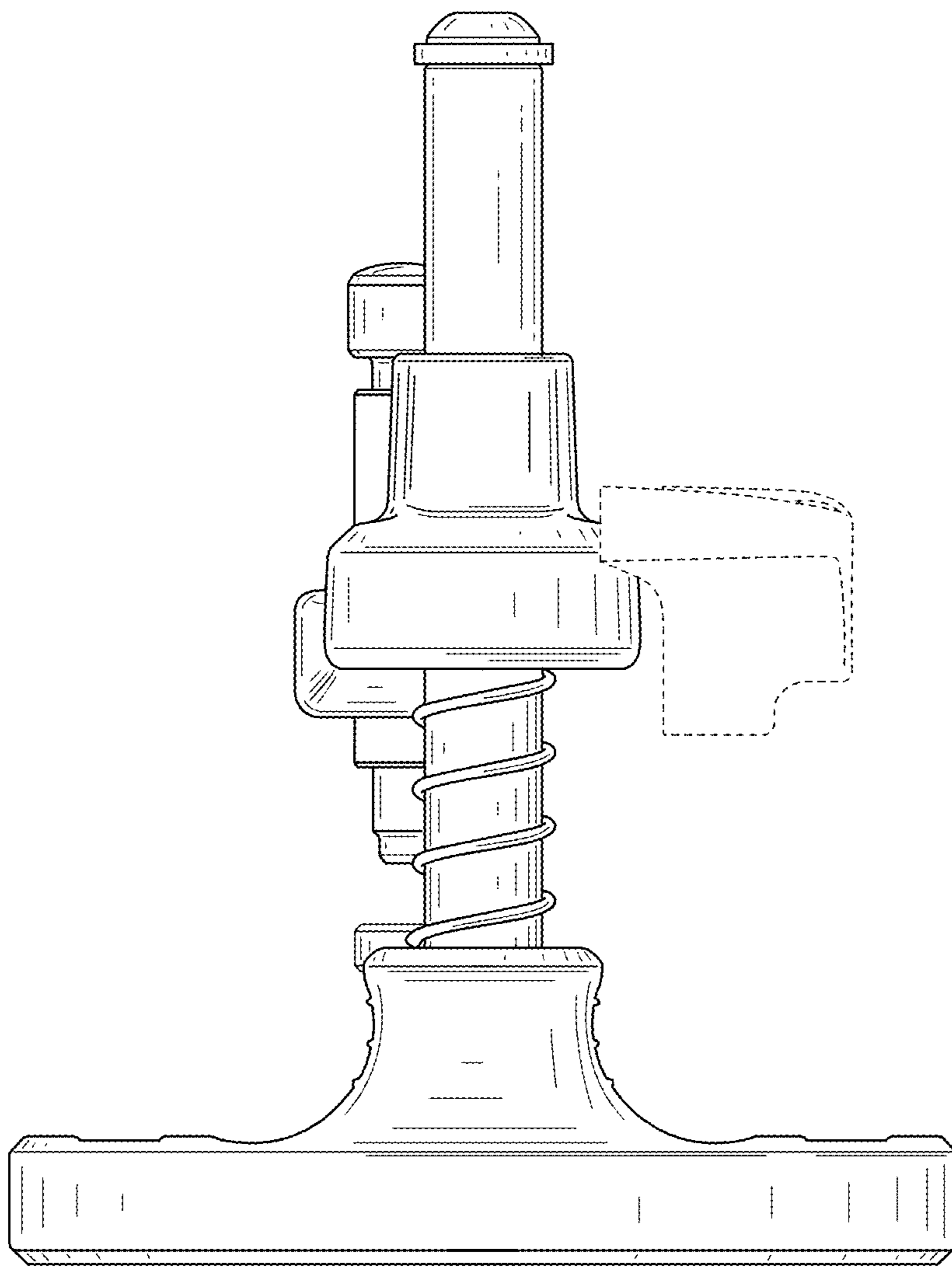


FIG. 5

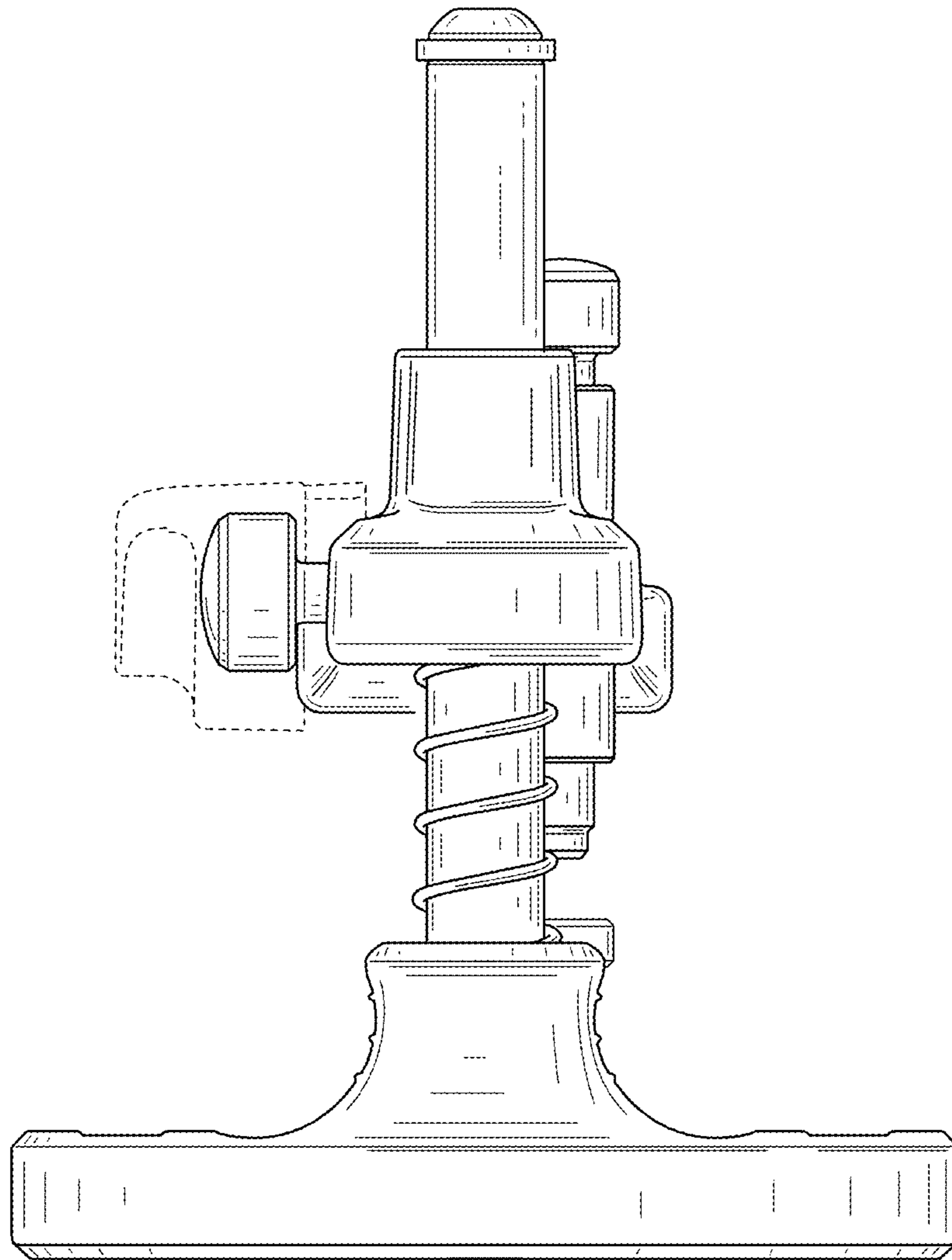


FIG. 6

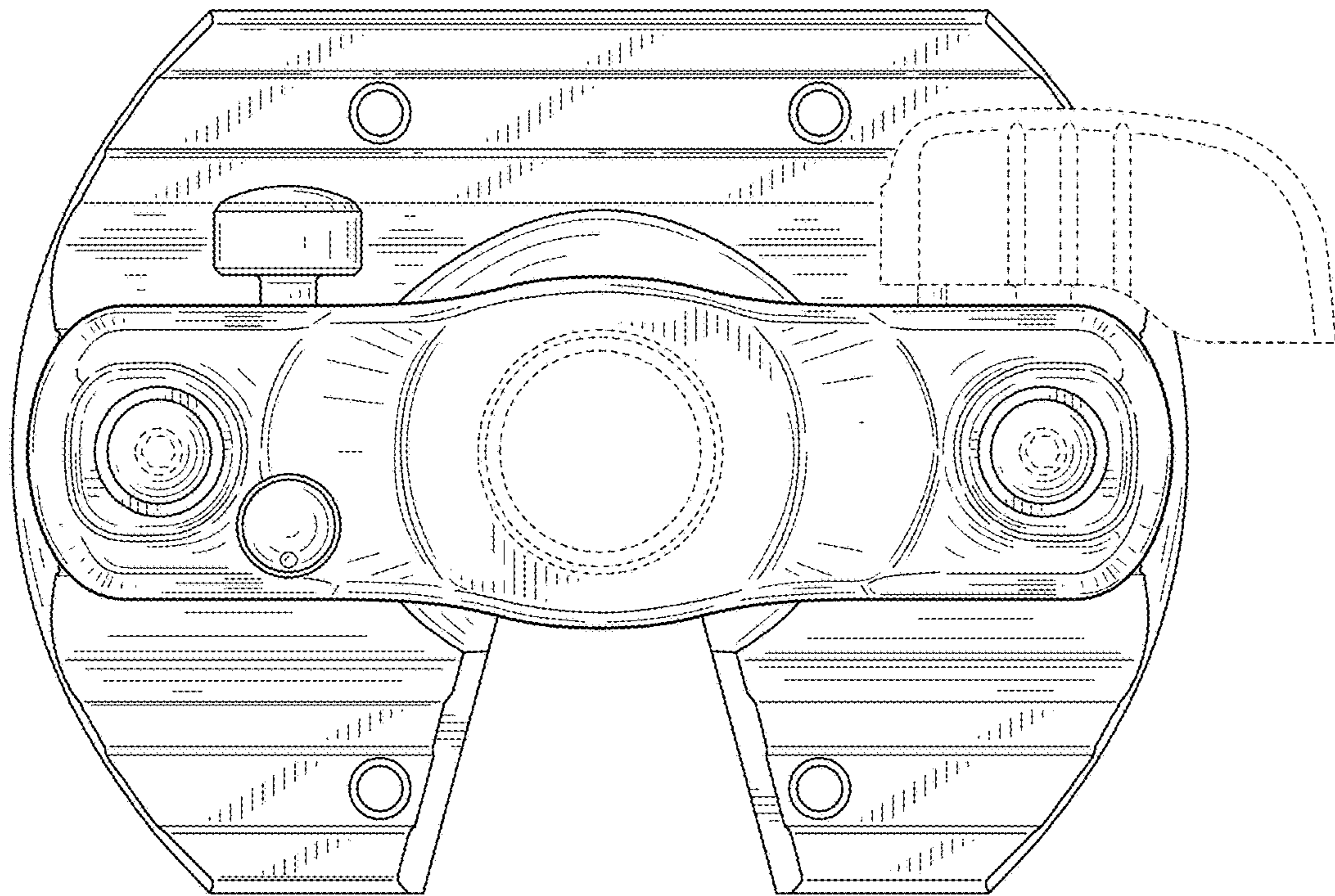


FIG. 7

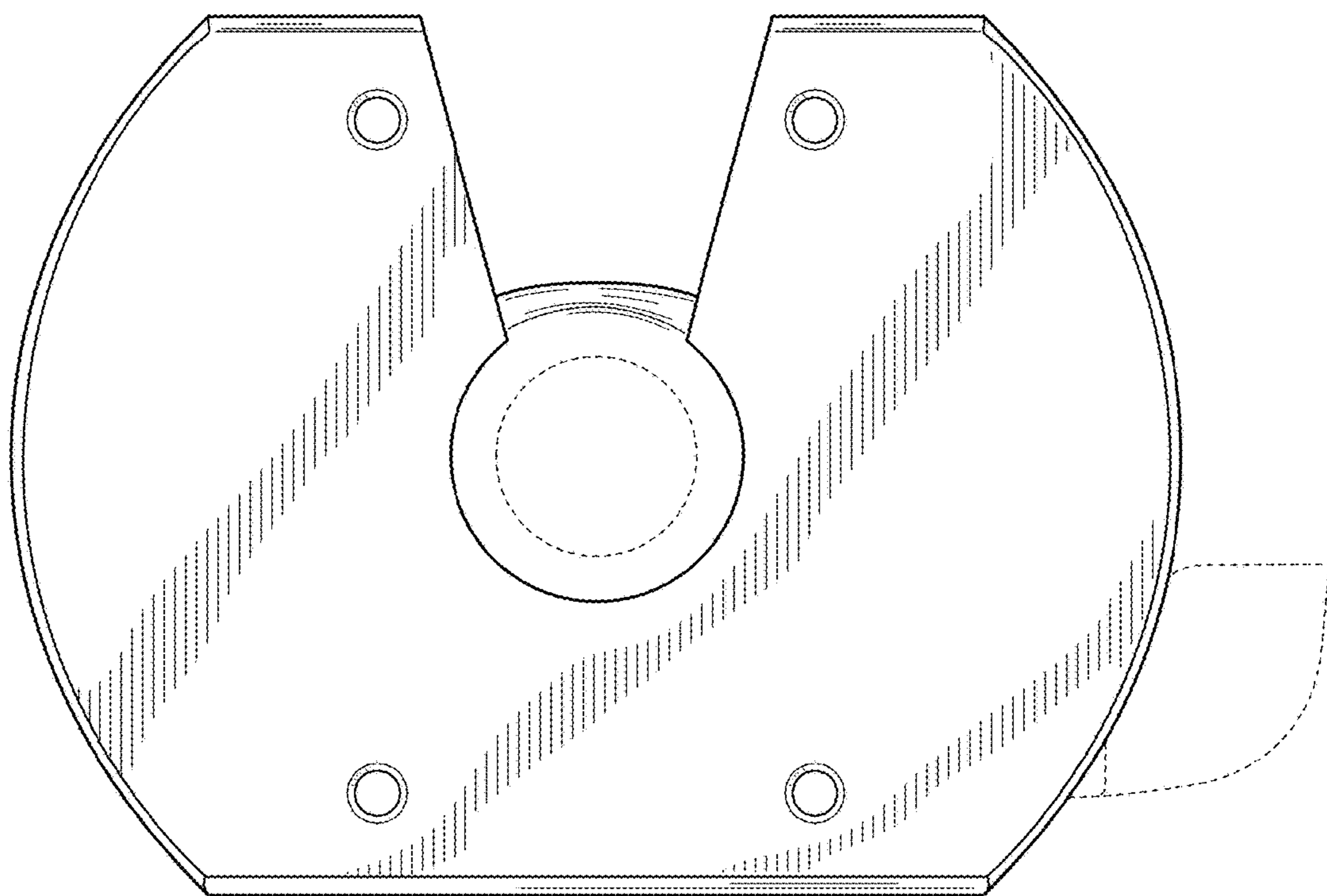


FIG. 8