



US00D781676S

(12) **United States Design Patent**
Stauffacher

(10) **Patent No.:** **US D781,676 S**

(45) **Date of Patent:** **** Mar. 21, 2017**

(54) **OPENER FOR BOTTLES, GLASSES AND TUBES**

D436,300 S *	1/2001	Chiu	D7/680
D454,036 S *	3/2002	Tse	D7/680
D461,377 S *	8/2002	Law	D7/680
D509,412 S *	9/2005	Lee	D7/680
D539,623 S *	4/2007	Yu	D8/40

(71) Applicant: **TÖDI-PLAST AG**, Nidfurn (CH)

(72) Inventor: **Kaspar Stauffacher**, Schwanden/GL (CH)

(**) Term: **15 Years**

(21) Appl. No.: **35/500,053**

(22) Filed: **Jun. 23, 2015**

(80) **Hague Agreement Data**

Int. Filing Date: **Jun. 23, 2015**

Int. Reg. No.: **DM/086872**

Int. Reg. Date: **Jun. 23, 2015**

Int. Reg. Pub. Date: **Jul. 17, 2015**

(51) **LOC (10) Cl.** **07-99**

(52) **U.S. Cl.**
USPC **D8/39**

(58) **Field of Classification Search**

USPC D8/33-43, 105; D7/665, 666, 680,
D7/683-687; D27/195; 7/113, 151-155;
30/113.2, 113.3; 81/3.29, 3.37, 3.45,
81/3.48, 3.49; 131/248

See application file for complete search history.

(56) **References Cited**

U.S. PATENT DOCUMENTS

D151,065 S *	9/1948	Nichols	D8/39
D187,042 S *	1/1960	Winkler	D8/39
D334,123 S *	3/1993	Barclay	D8/39

OTHER PUBLICATIONS

Jokari Beverage opener, posted Aug. 23, 2010 [online], [retrieved Jun. 15, 2016]. Retrieved from internet, <http://www.designswan.com/archives/18-cool-and-creative-bottle-openers.html>.*

Jar Opener, posted May 27, 2015 [online], [retrieved Jun. 15, 2016]. Retrieved from internet, https://www.amazon.com/Jar-Opener-Free-Butter-Knife/dp/B00YCHVUH4?ie=UTF8&*Version*=1&*entries*=0.*

* cited by examiner

Primary Examiner — Barbara Fox

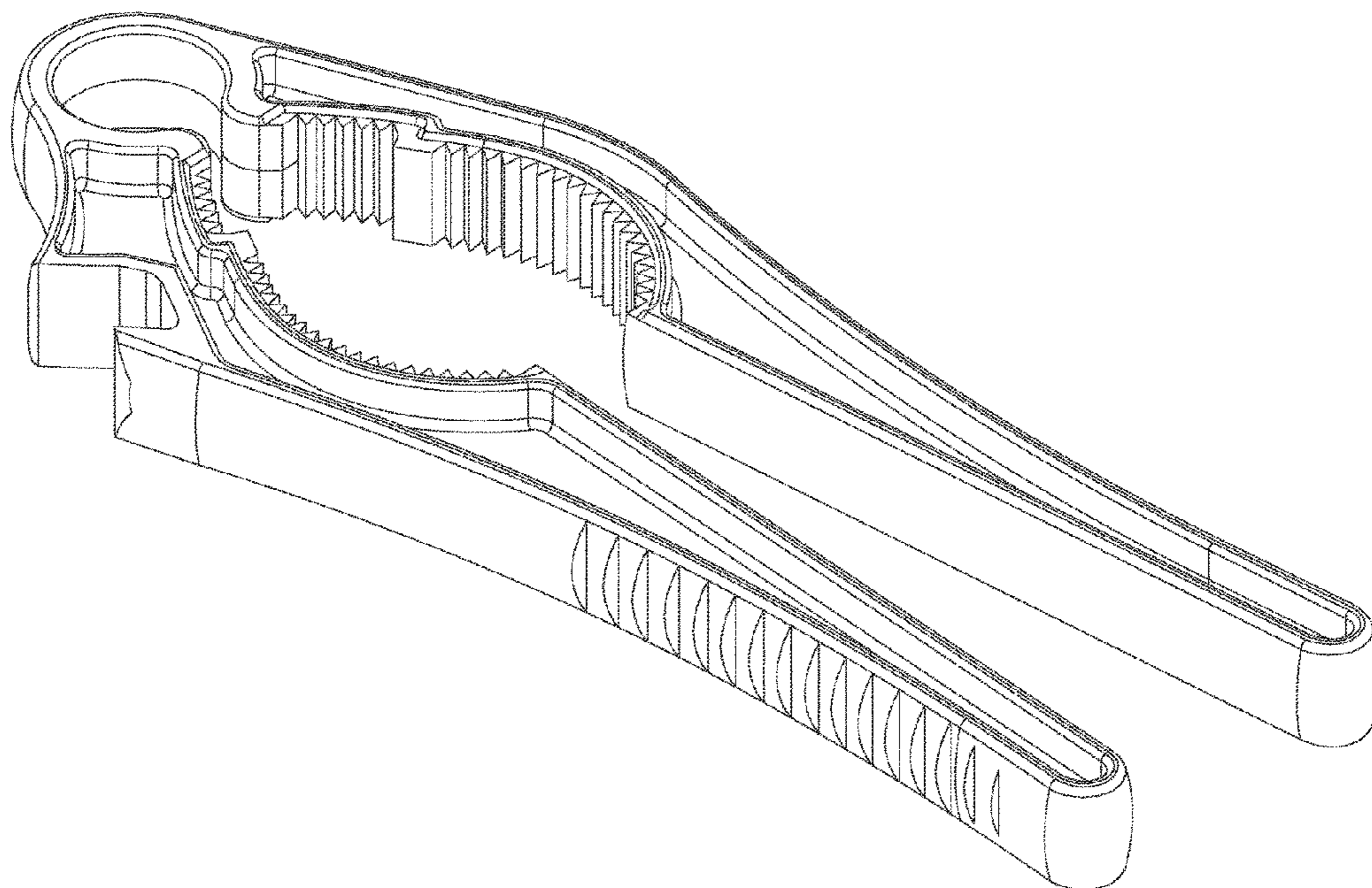
(57) **CLAIM**

The ornamental design for an opener for bottles, glasses and tubes, as shown and described.

DESCRIPTION

FIG. 1.1 is a first perspective view of an opener for bottles, glasses and tubes according to the present invention; FIG. 1.2 is a second perspective view of the opener of FIG. 1; FIG. 1.3 is top view of the opener of FIG. 1; FIG. 1.4 is a left side view of the opener of FIG. 1; FIG. 1.5 is a right side view of the opener of FIG. 1; FIG. 1.6 is a front view of the opener of FIG. 1; and FIG. 1.7 is a back view of the opener of FIG. 1.

1 Claim, 5 Drawing Sheets



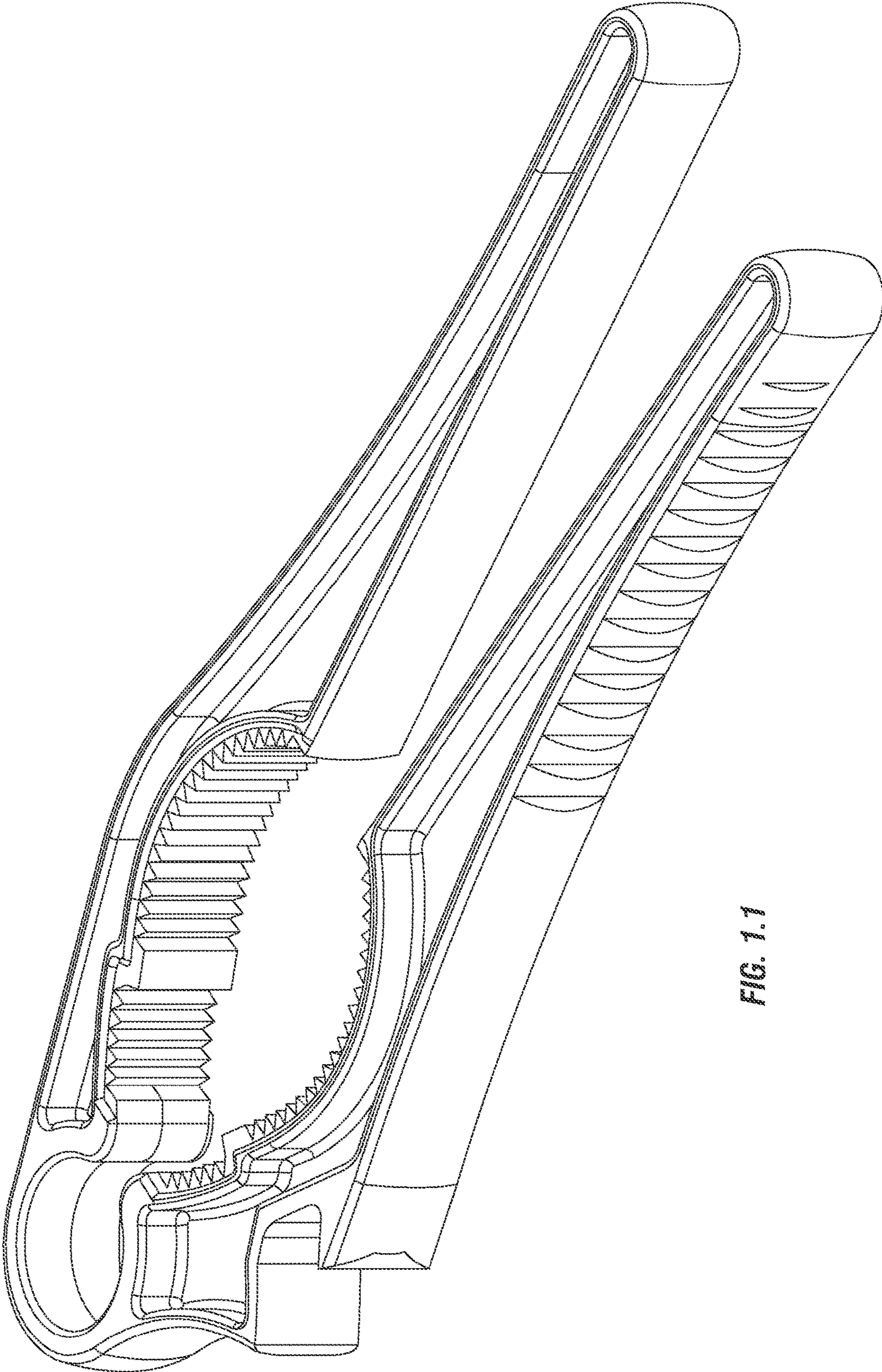


FIG. 1.1

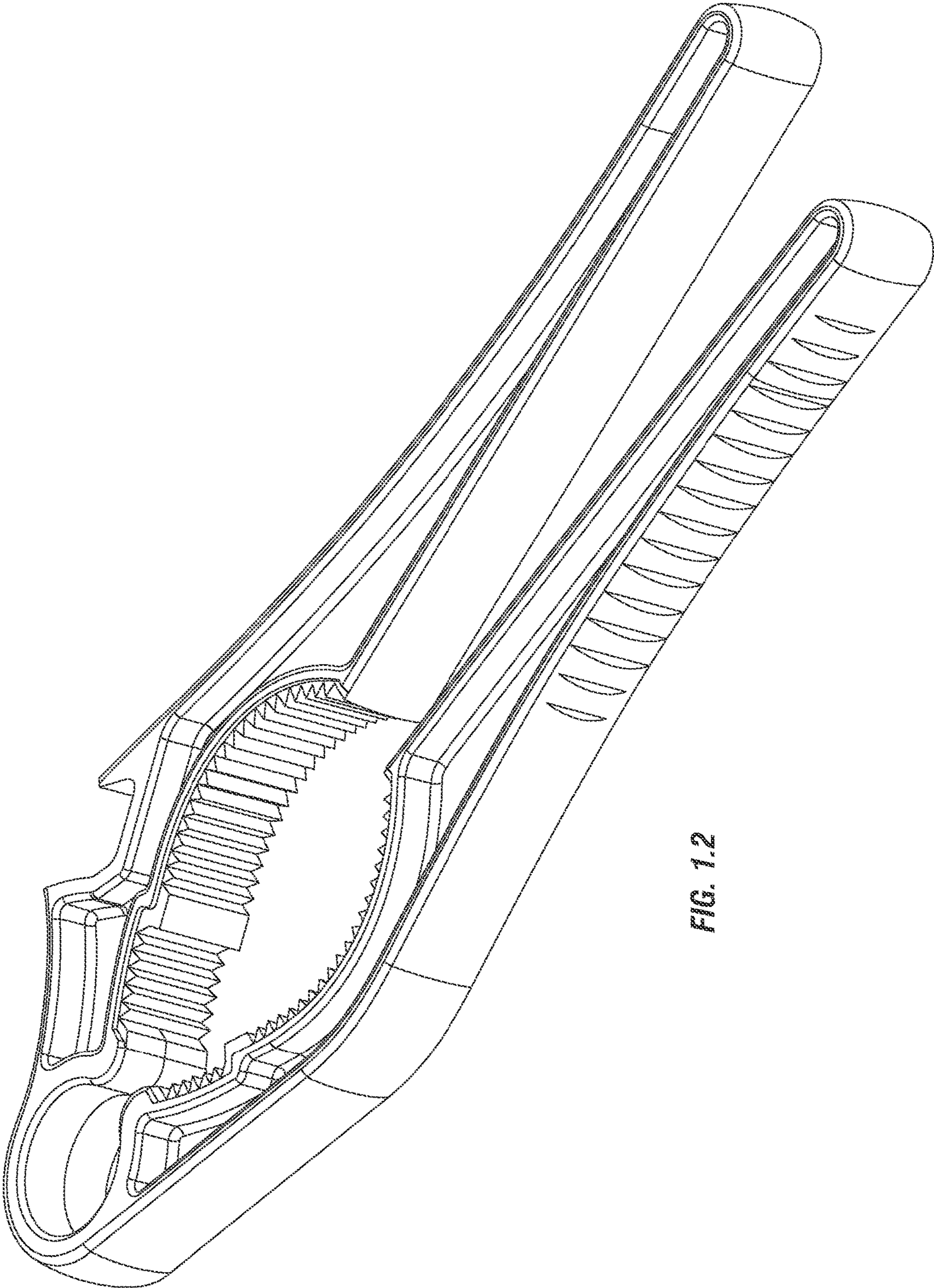


FIG. 1.2

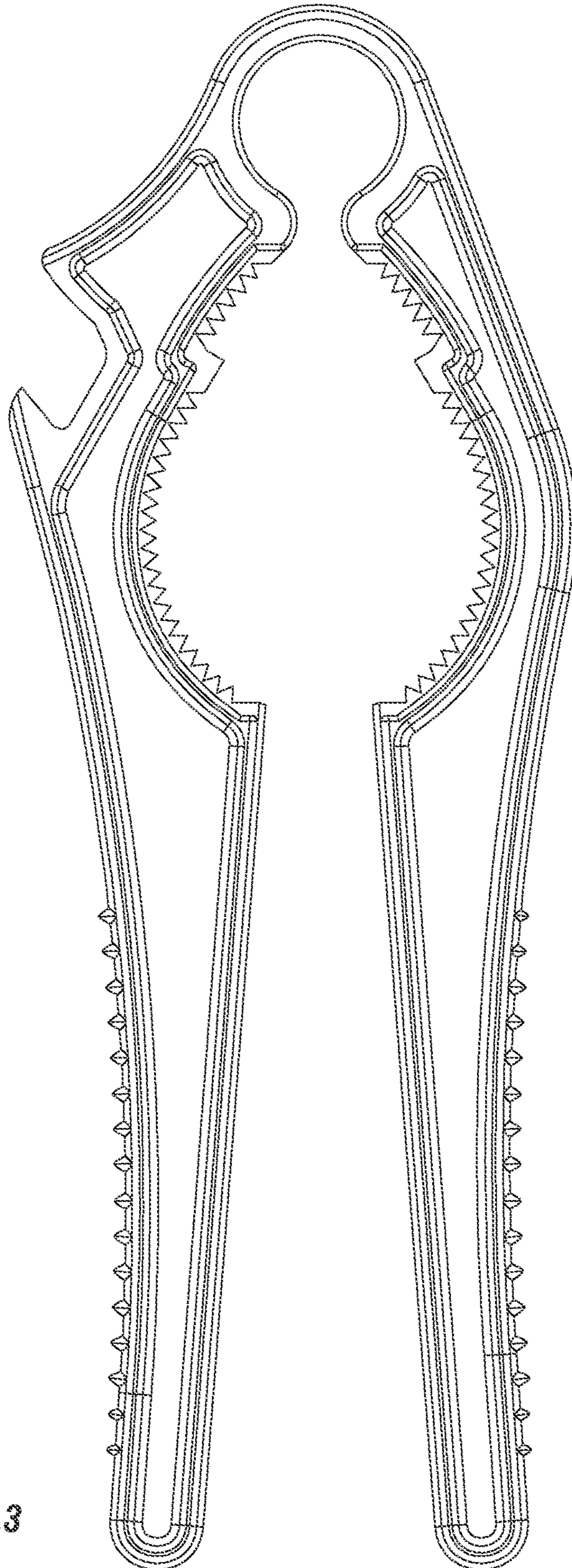


FIG. 1.3

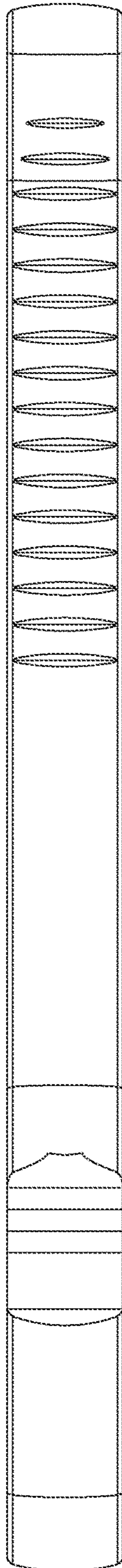


FIG. 1.4



FIG. 1.5



FIG. 1.6

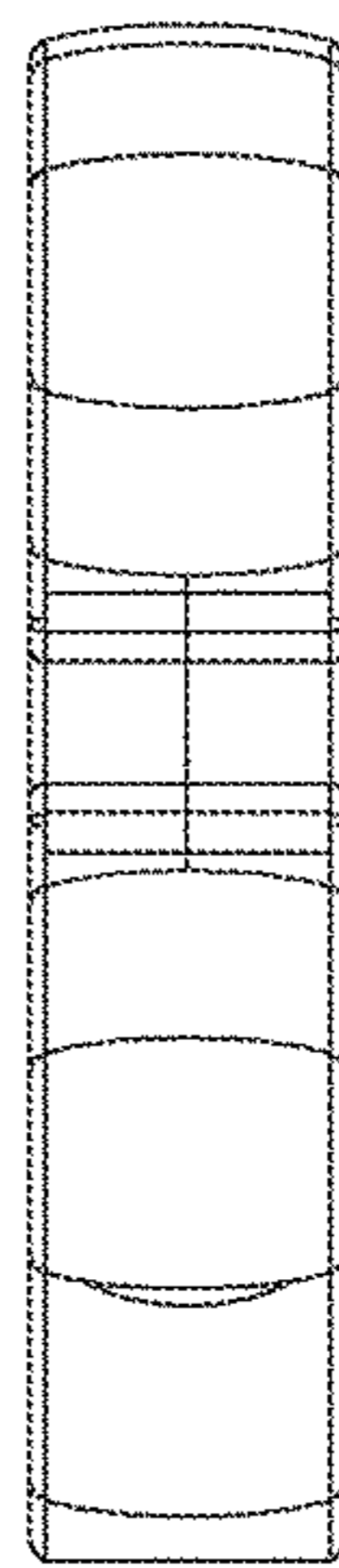


FIG. 1.7