



US00D781670S

(12) **United States Design Patent**
Berger

(10) **Patent No.:** **US D781,670 S**

(45) **Date of Patent:** **** Mar. 21, 2017**

(54) **ORGANIZER FOR MEASURING CUP AND MEASURING SPOON**

(71) Applicant: **Andy L Berger**, Woodridge, IL (US)

(72) Inventor: **Andy L Berger**, Woodridge, IL (US)

(**) Term: **15 Years**

(21) Appl. No.: **29/541,860**

(22) Filed: **Oct. 8, 2015**

(51) **LOC (10) Cl.** **07-06**

(52) **U.S. Cl.**
USPC **D7/701**; D6/569

(58) **Field of Classification Search**
USPC D7/701-708, 637-641, 600.1-600.4;
D6/571, 553, 554, 556, 567, 569, 320,
323

CPC A47G 1/20; A47J 47/16; A47F 5/0846
See application file for complete search history.

(56) **References Cited**

U.S. PATENT DOCUMENTS

- 2,572,797 A * 10/1951 Zimmer A47J 47/16
211/70.6
- D174,257 S * 3/1955 Goldbart D6/320
- 2,990,065 A * 6/1961 Margulis A47G 1/20
211/106.01
- D236,567 S * 9/1975 Ballin D6/323
- D243,573 S * 3/1977 Flaherty D6/571
- D270,023 S * 8/1983 Sheldon D6/566

- D275,629 S * 9/1984 Einhorn D8/372
- D294,791 S * 3/1988 Loscalzo D6/323
- D294,792 S * 3/1988 Zimmerman D6/323
- D331,855 S * 12/1992 Kaplan D6/512
- D365,007 S * 12/1995 Sheftel D6/553
- D610,199 S * 2/2010 Liang D19/86
- 2012/0111814 A1 * 5/2012 Kao A47F 5/0846
211/70.6

* cited by examiner

Primary Examiner — Terry Wallace

(57) **CLAIM**

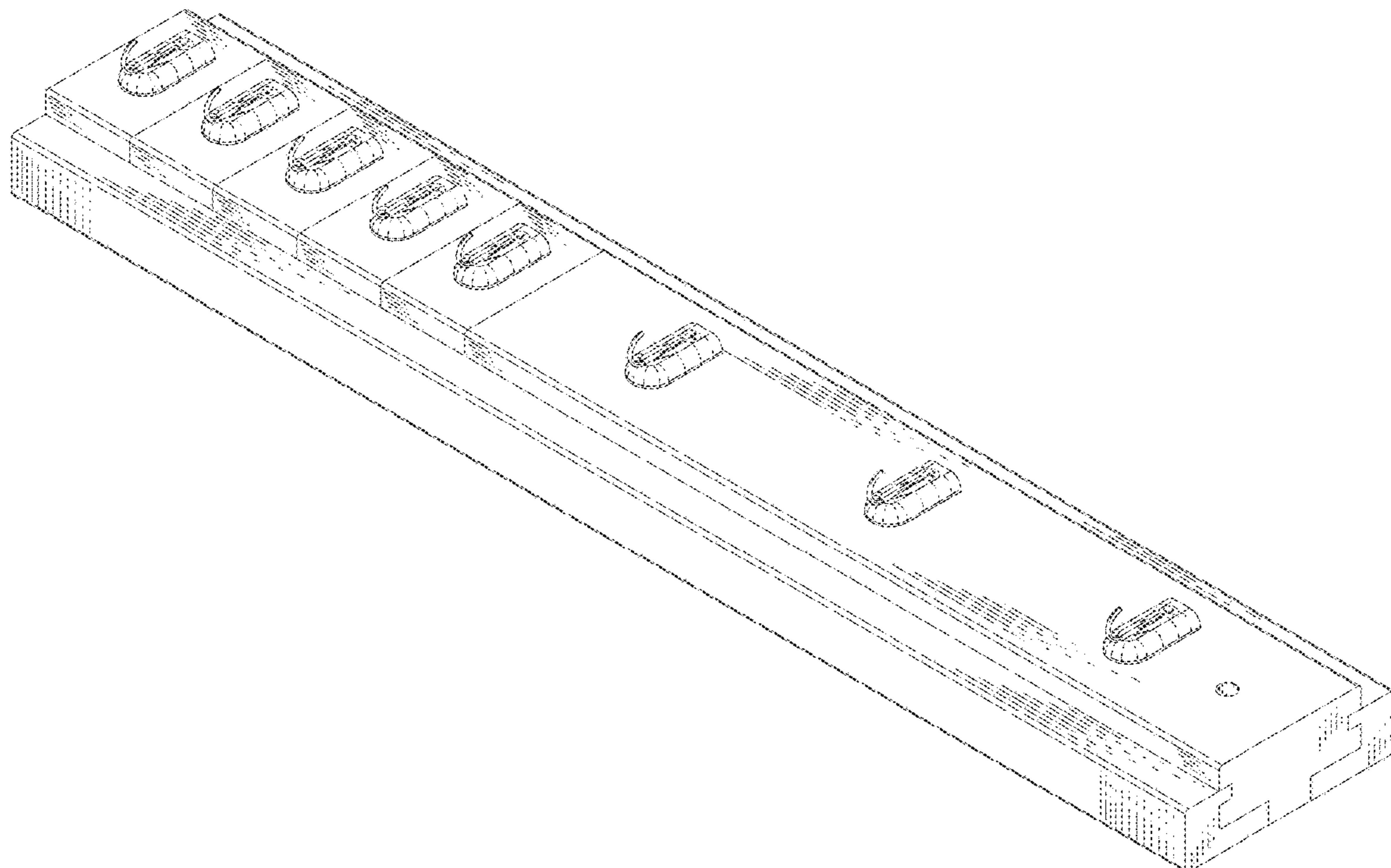
The ornamental design for a organizer for measuring cup and measuring spoon, as shown and described.

DESCRIPTION

FIG. 1 is a perspective view of a organizer for measuring cup and measuring spoon showing of my new design;
FIG. 2 is a front elevational view thereof;
FIG. 3 is a rear elevational view thereof;
FIG. 4 is a left side elevational view thereof;
FIG. 5 is a right side elevational view thereof;
FIG. 6 is a top plan view thereof; and,
FIG. 7 is a bottom plan view thereof.

The broken line showing of the screws are included for the purpose of illustrating environmental structure and forms no part of the claimed design.

1 Claim, 7 Drawing Sheets



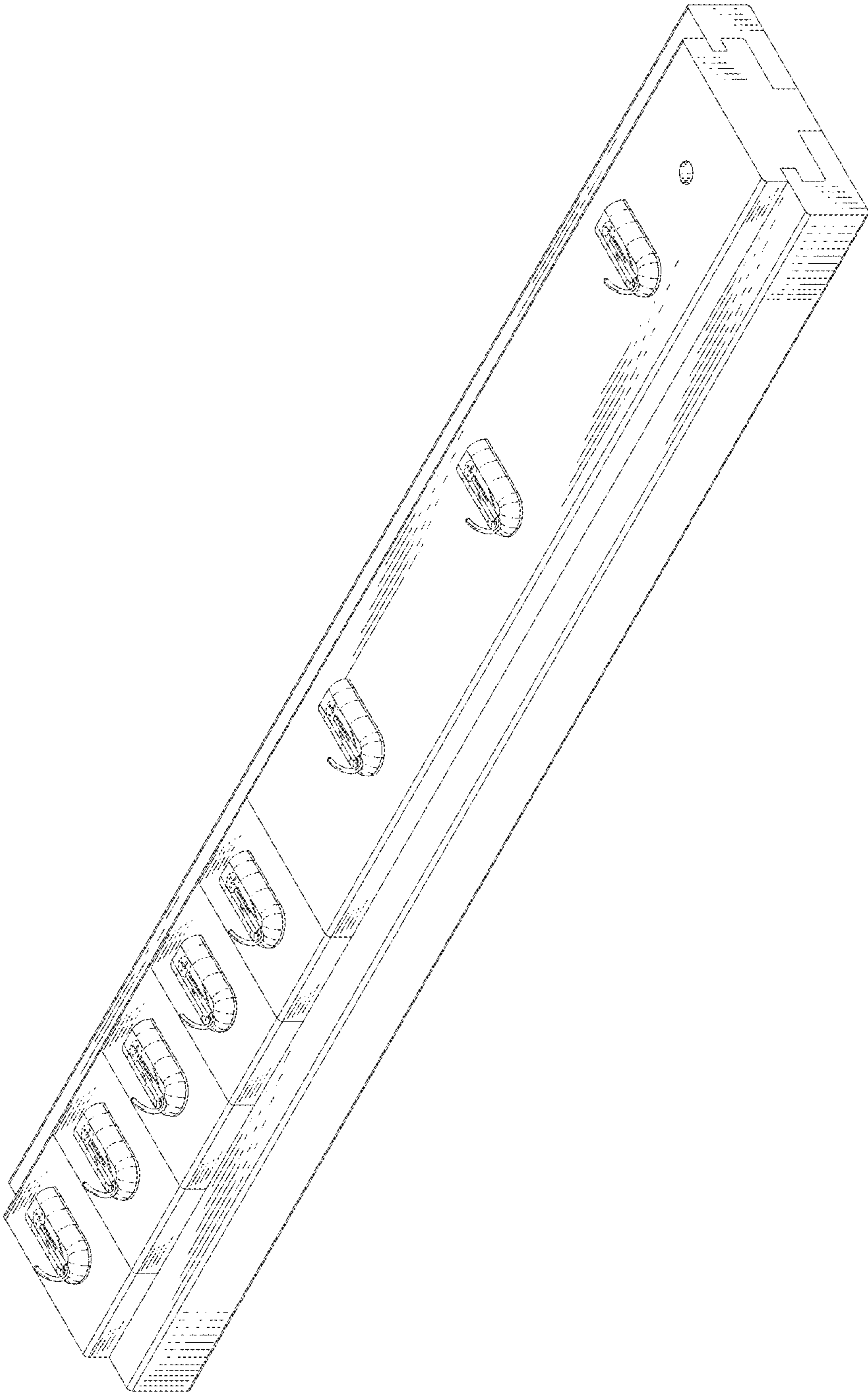


FIG. 1

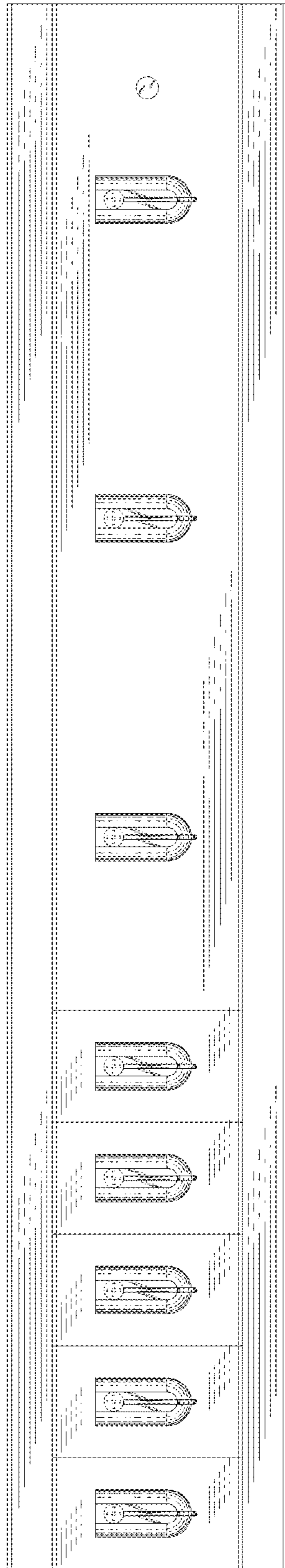


FIG. 2

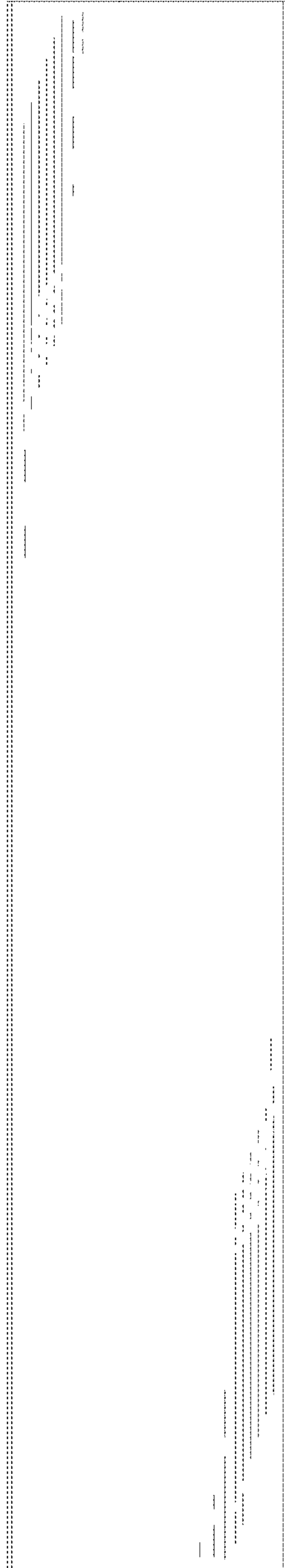


FIG. 3

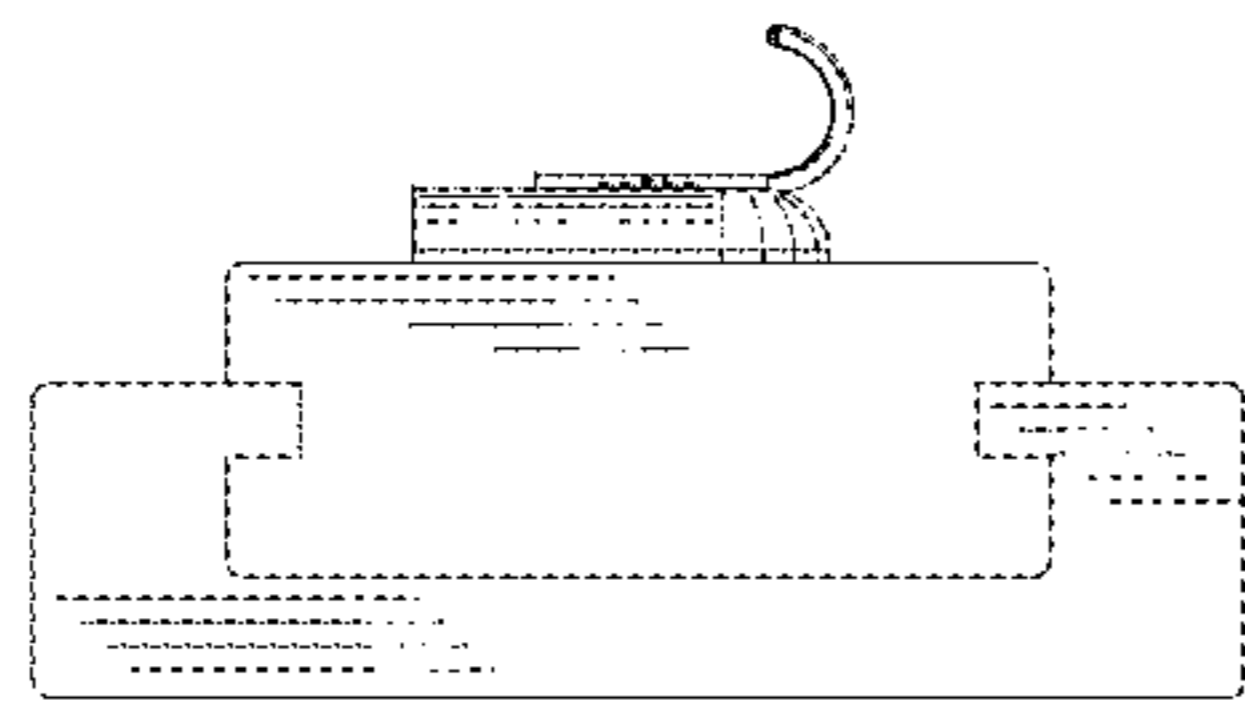


FIG. 4

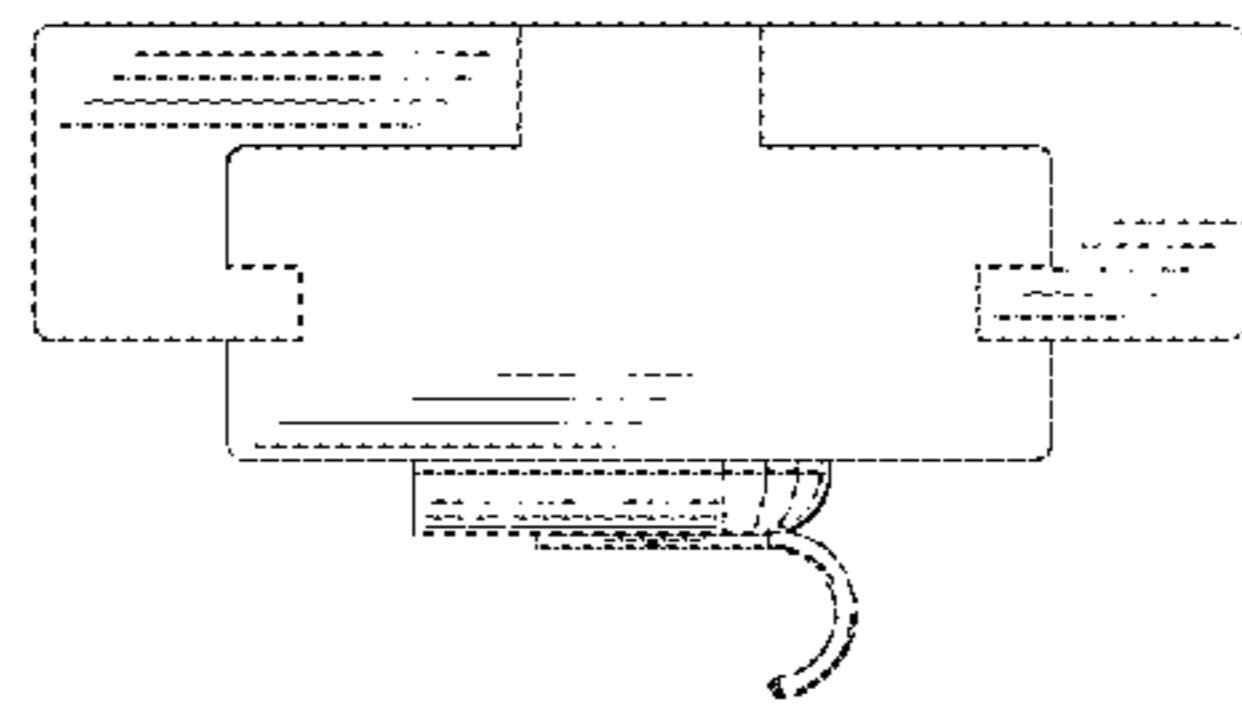


FIG. 5

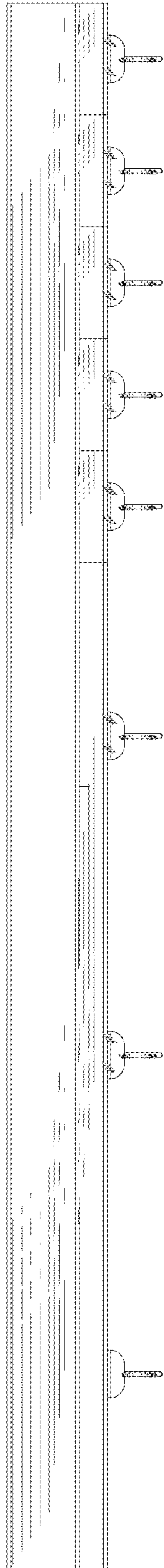


FIG. 6

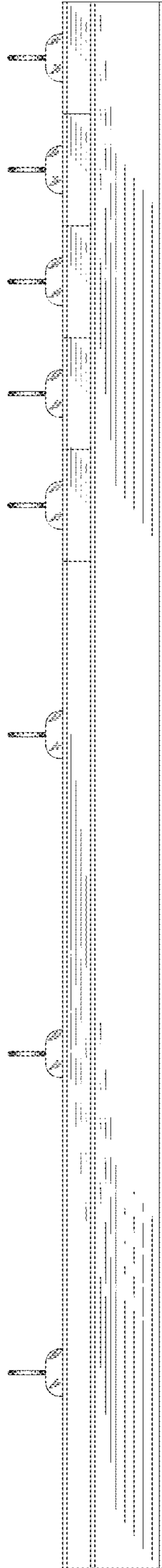


FIG. 7