



US00D781664S

(12) **United States Design Patent** (10) **Patent No.:** **US D781,664 S**  
**Goodman et al.** (45) **Date of Patent:** **\*\* Mar. 21, 2017**

(54) **UTENSIL HOLDER**

(71) Applicant: **Spectrum Diversified Designs, Inc.**,  
Streetsboro, OH (US)

(72) Inventors: **Sheldon H. Goodman**, Solon, OH  
(US); **Phaysouk Xayoiphonh**, Akron,  
OH (US); **Jennifer Case**, Middleburg  
Heights, OH (US)

(73) Assignee: **Spectrum Diversified Designs, LLC**,  
Streetsboro, OH (US)

(\*\*) Term: **14 Years**

(21) Appl. No.: **29/519,054**

(22) Filed: **Mar. 2, 2015**

(51) **LOC (10) Cl.** ..... **07-07**

(52) **U.S. Cl.**  
USPC ..... **D7/637**

(58) **Field of Classification Search**  
USPC ..... D7/631-634, 637-641; D19/65, 75,  
D19/81-85; 211/13.1, 70.6, 70.7, 73, 74,  
211/60.1, 70.1, 71.01, 85.31, 85.4, 133.5,  
211/181.1; 248/37.3, 37.6, 176.1, 175  
CPC A45D 44/04; A45D 44/06; A47F 7/00; A47F  
13/00; A47G 19/08; A47G 25/1464; A47J  
47/16; A47L 15/50; A47L 15/503; A47L  
15/505  
See application file for complete search history.

D485,705 S \* 1/2004 Goodman ..... D6/678.4  
D539,614 S \* 4/2007 Goodman ..... D7/637  
D591,565 S \* 5/2009 Goodman ..... D7/637  
D628,858 S \* 12/2010 Guindi ..... D7/637  
D630,476 S \* 1/2011 Goodman ..... D7/637  
D643,696 S \* 8/2011 Goodman ..... D7/640  
D696,911 S \* 1/2014 Goodman ..... D7/631  
D697,376 S 1/2014 Goodman et al.  
2010/0006524 A1\* 1/2010 Roach ..... A47B 49/00  
211/78

**OTHER PUBLICATIONS**

Design U.S. Appl. No. 29/519,070, filed Mar. 2, 2005.

\* cited by examiner

*Primary Examiner* — Ian Simmons

*Assistant Examiner* — Janice Lim

(74) *Attorney, Agent, or Firm* — Renner, Otto, Boisselle  
& Sklar, LLP

(57) **CLAIM**

The ornamental design for a utensil holder, as shown and described.

**DESCRIPTION**

FIG. 1 is a perspective view of a utensil holder, showing our new design.

FIG. 2 is a front view thereof.

FIG. 3 is a right side view thereof, and a left side view being a mirror image thereof.

FIG. 4 is a top view thereof; and,

FIG. 5 is a bottom view thereof.

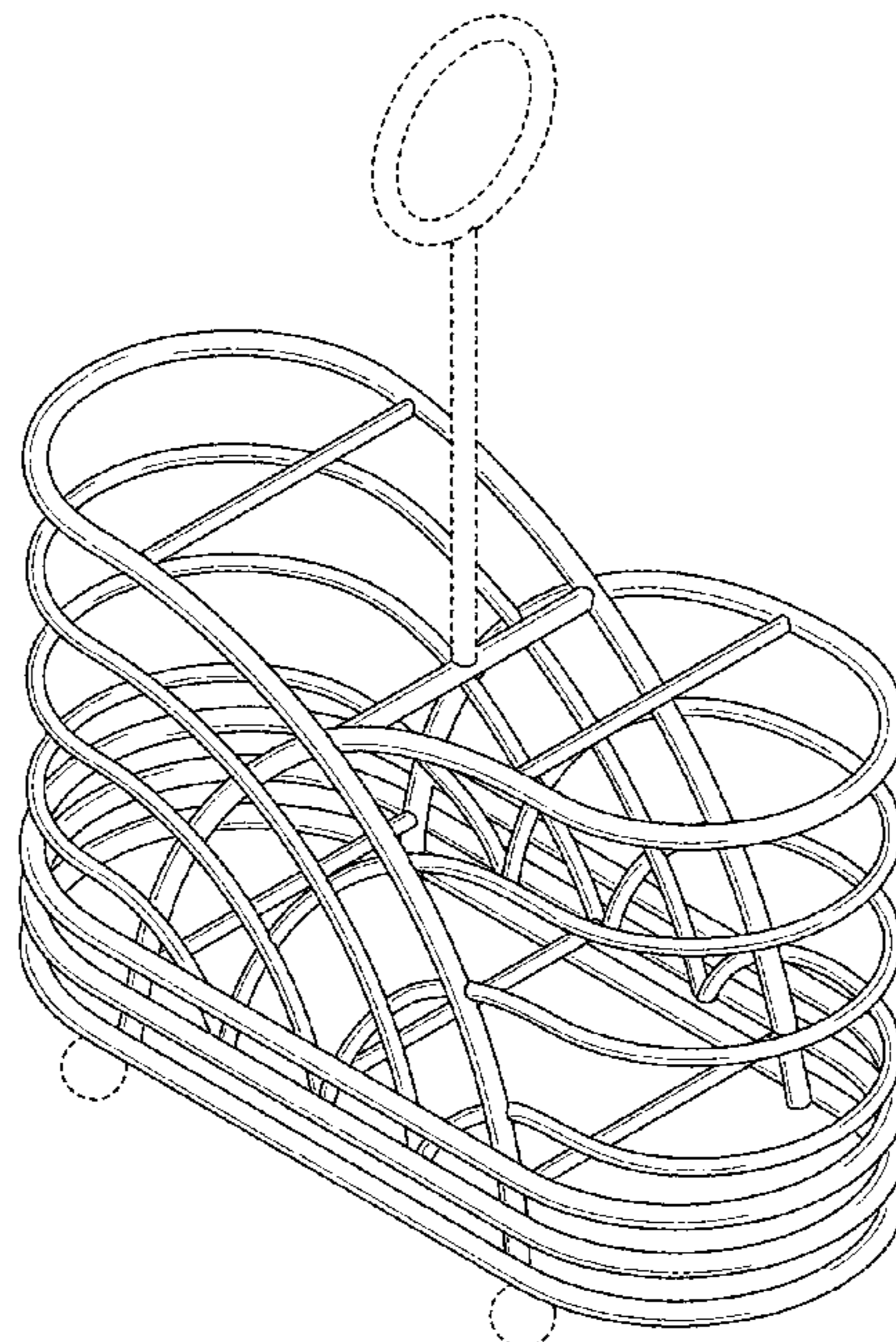
The broken line portions are included to show unclaimed subject matter only and form no part of the claimed design.

**1 Claim, 4 Drawing Sheets**

(56) **References Cited**

U.S. PATENT DOCUMENTS

D314,098 S \* 1/1991 Kee ..... D6/678.4  
D341,463 S \* 11/1993 Booth ..... D3/306  
D436,463 S \* 1/2001 Goodman ..... D6/678.4



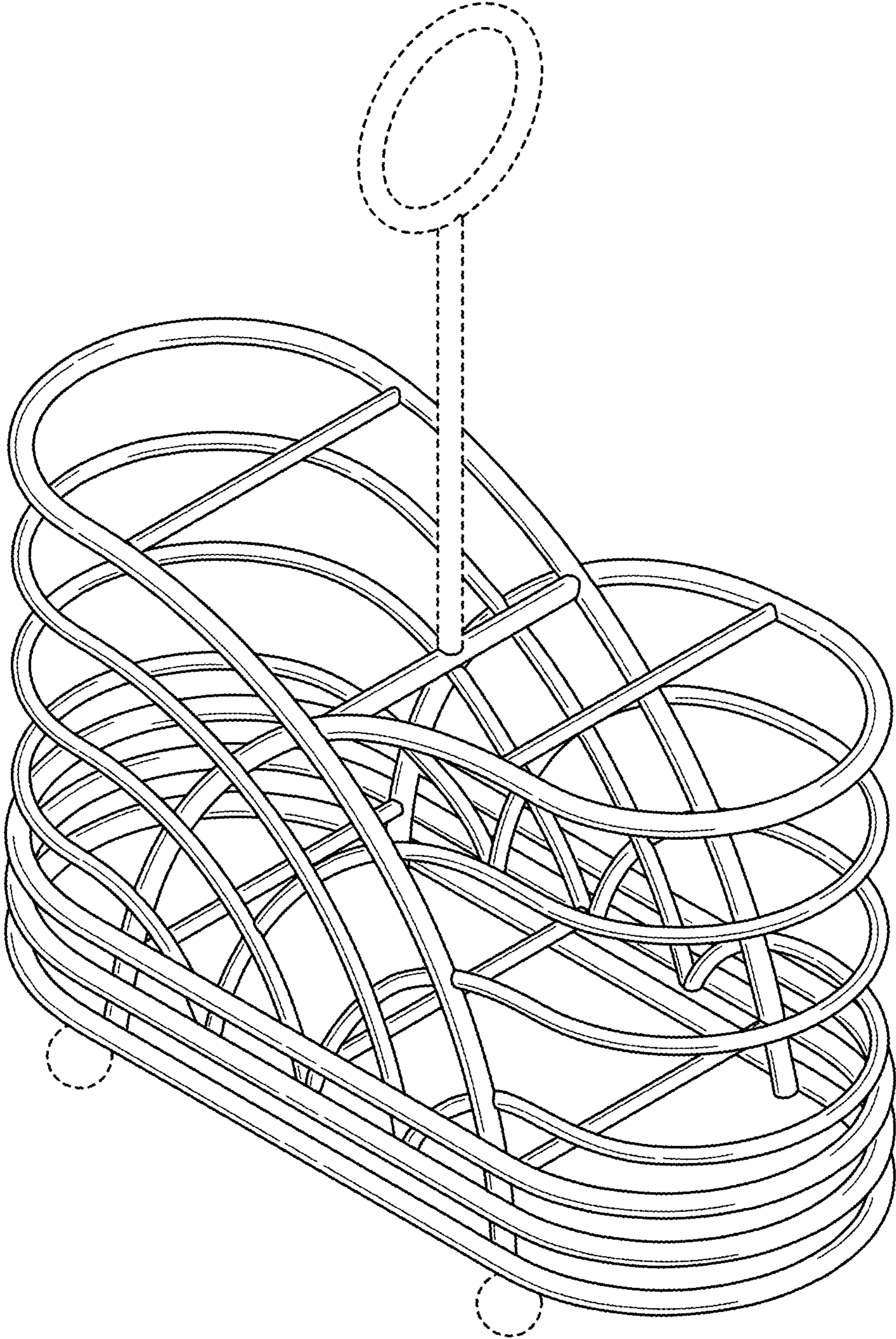


FIG. 1

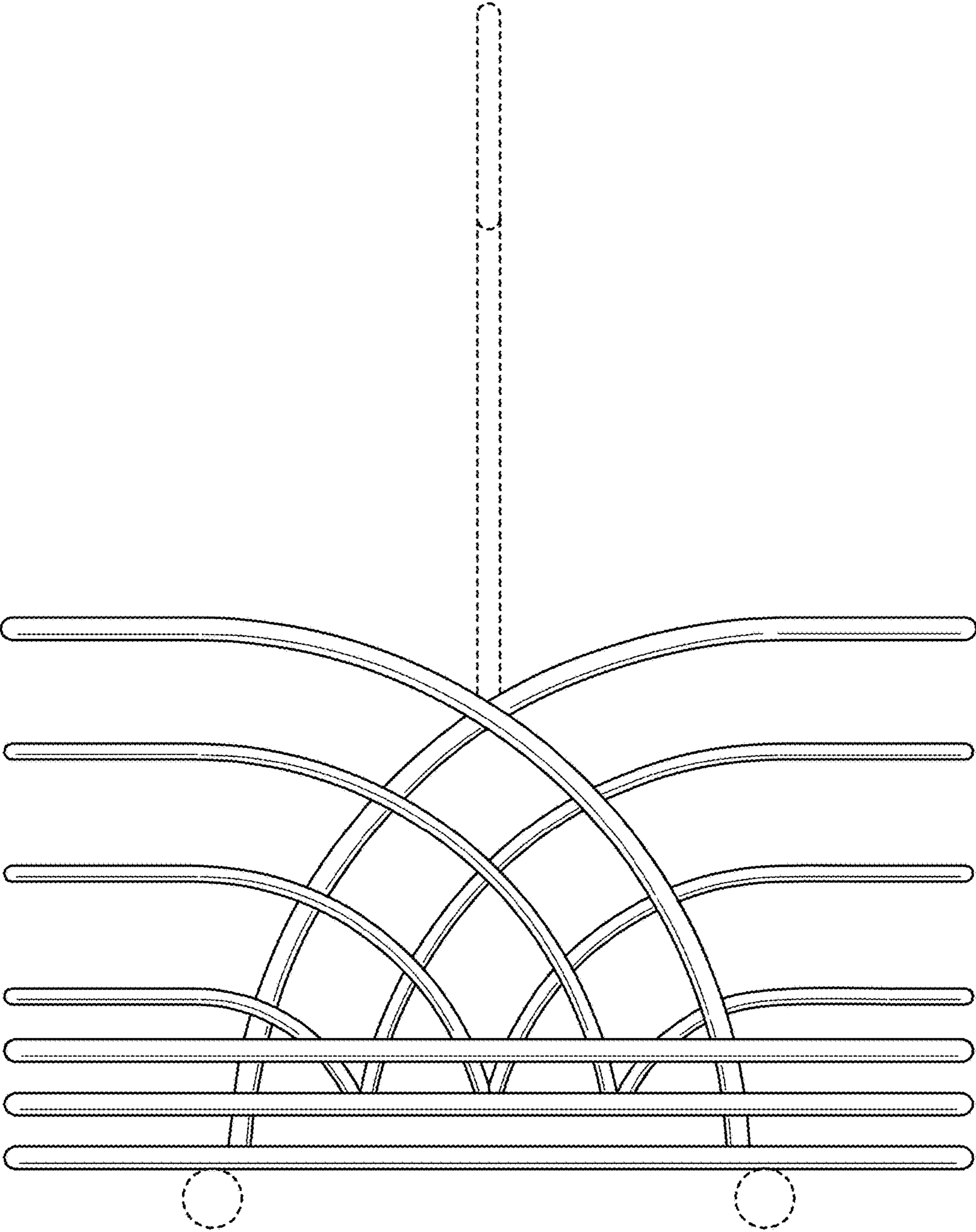


FIG. 2

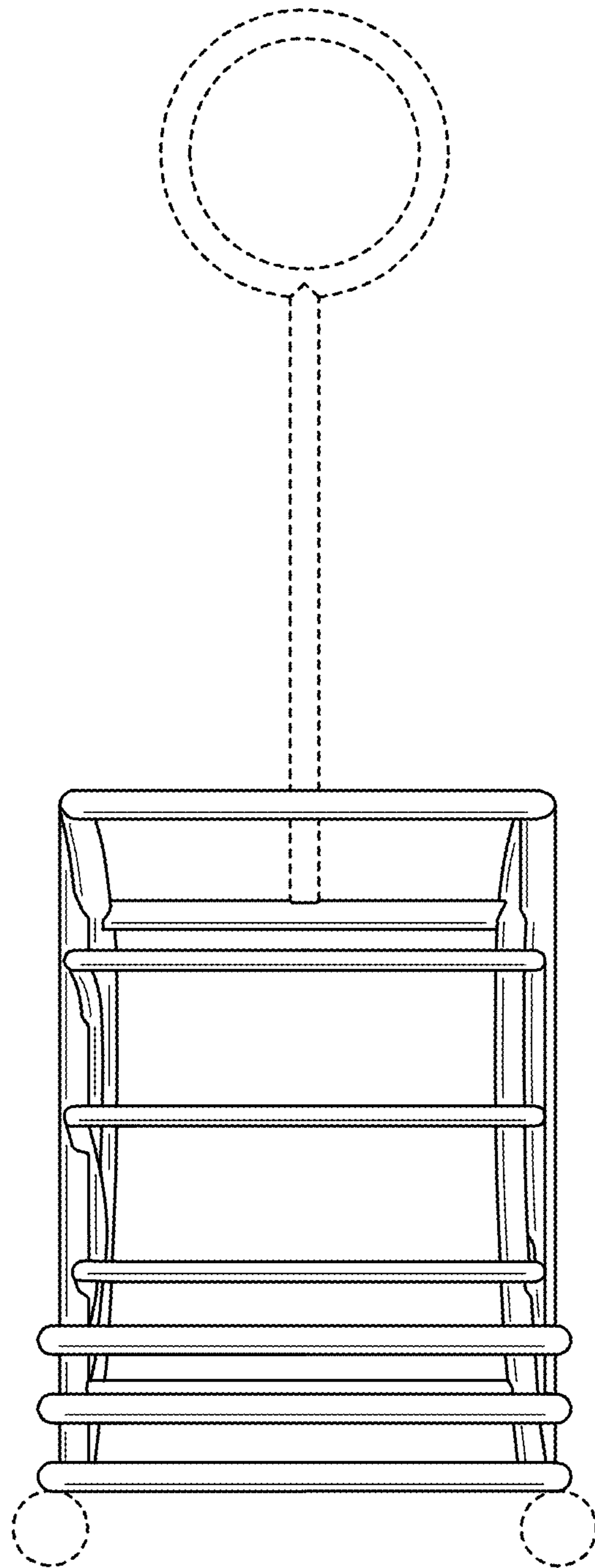


FIG. 3

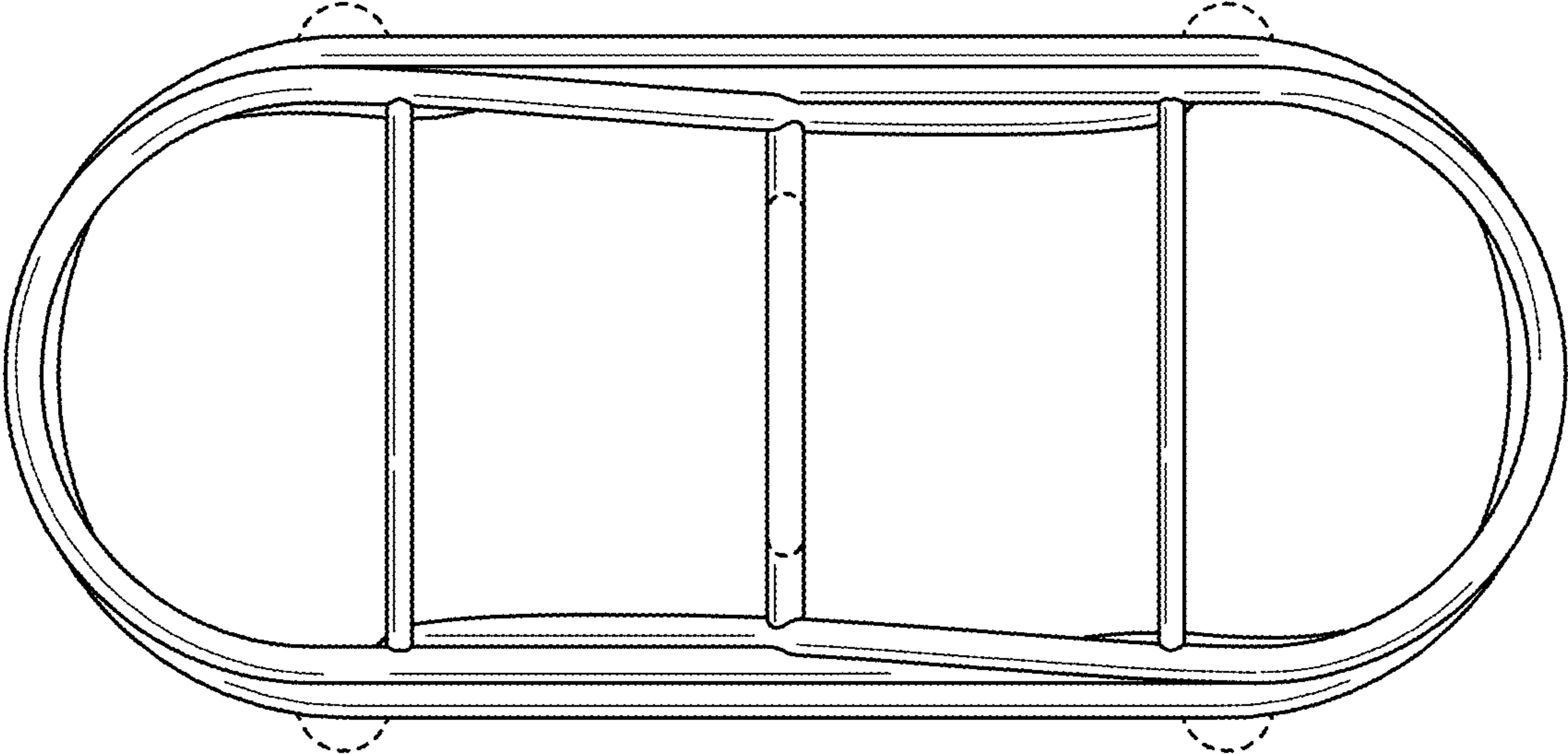


FIG. 4

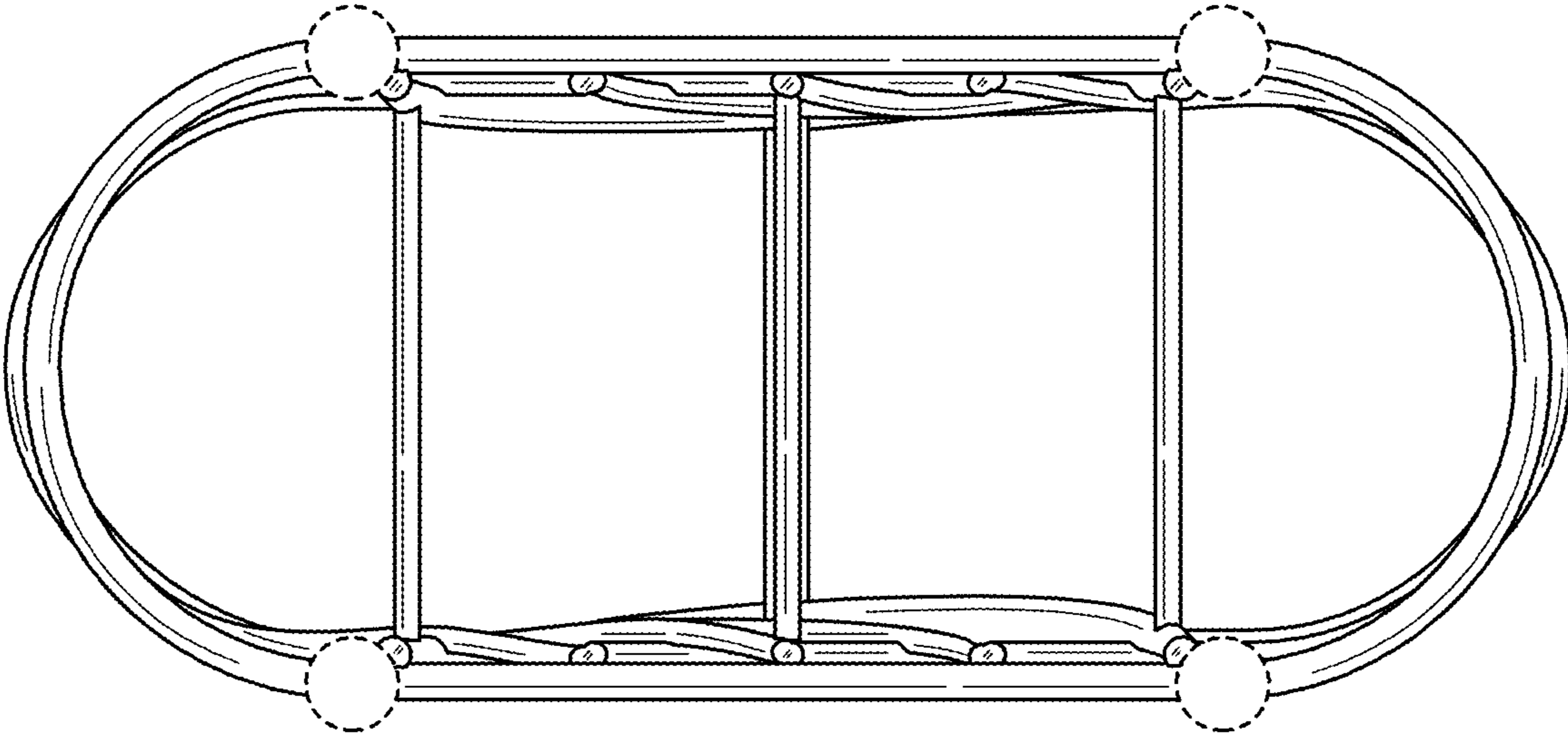


FIG. 5