



US00D781663S

(12) **United States Design Patent**
Williams

(10) **Patent No.:** **US D781,663 S**

(45) **Date of Patent:** **** *Mar. 21, 2017**

(54) **COASTER**

(71) Applicant: **Firefly Industries, Inc.**, Tulsa, OK
(US)

(72) Inventor: **Elizabeth A. Williams**, Broken Arrow,
OK (US)

(73) Assignee: **Firefly Industries, Inc.**, Tulsa, OK
(US)

(*) Notice: This patent is subject to a terminal dis-
claimer.

(**) Term: **14 Years**

(21) Appl. No.: **29/507,002**

(22) Filed: **Oct. 23, 2014**

Related U.S. Application Data

(60) Continuation-in-part of application No. 29/461,342,
filed on Jul. 22, 2013, now Pat. No. Des. 736,567,
which is a continuation-in-part of application No.
29/439,848, filed on Dec. 17, 2012, now Pat. No. Des.
696,077, which is a division of application No.
29/398,103, filed on Jul. 26, 2011, now Pat. No. Des.
677,994.

(51) **LOC (10) Cl.** **07-06**

(52) **U.S. Cl.**
USPC **D7/624.1**

(58) **Field of Classification Search**
USPC D7/624.1-624.3, 619.1-625, 387;
D24/232; D26/14, 17, 98; 215/393-396;
248/346.11
CPC A47B 91/00; A47B 95/00
See application file for complete search history.

(56) **References Cited**

U.S. PATENT DOCUMENTS

493,646 A	3/1893	PaProth et al.	
2,210,102 A	8/1940	Steudel	
2,333,028 A	10/1943	Merrill	
2,709,905 A	6/1955	Dunlap	
2,893,163 A *	7/1959	Hazel, Jr.	A47G 23/03 248/346.11
2,989,205 A	6/1961	Yaws	
3,248,016 A	4/1966	Dahl et al.	
3,268,198 A	8/1966	Swett	
D228,721 S	10/1973	Todd	
D229,655 S	12/1973	Cyren	
3,799,641 A	3/1974	Buck	
4,089,498 A	5/1978	Woodruff	

(Continued)

Primary Examiner — Susan Bennett Hattan

Assistant Examiner — S. Bryan Reinholdt, Jr.

(74) *Attorney, Agent, or Firm* — Molly D. McKay

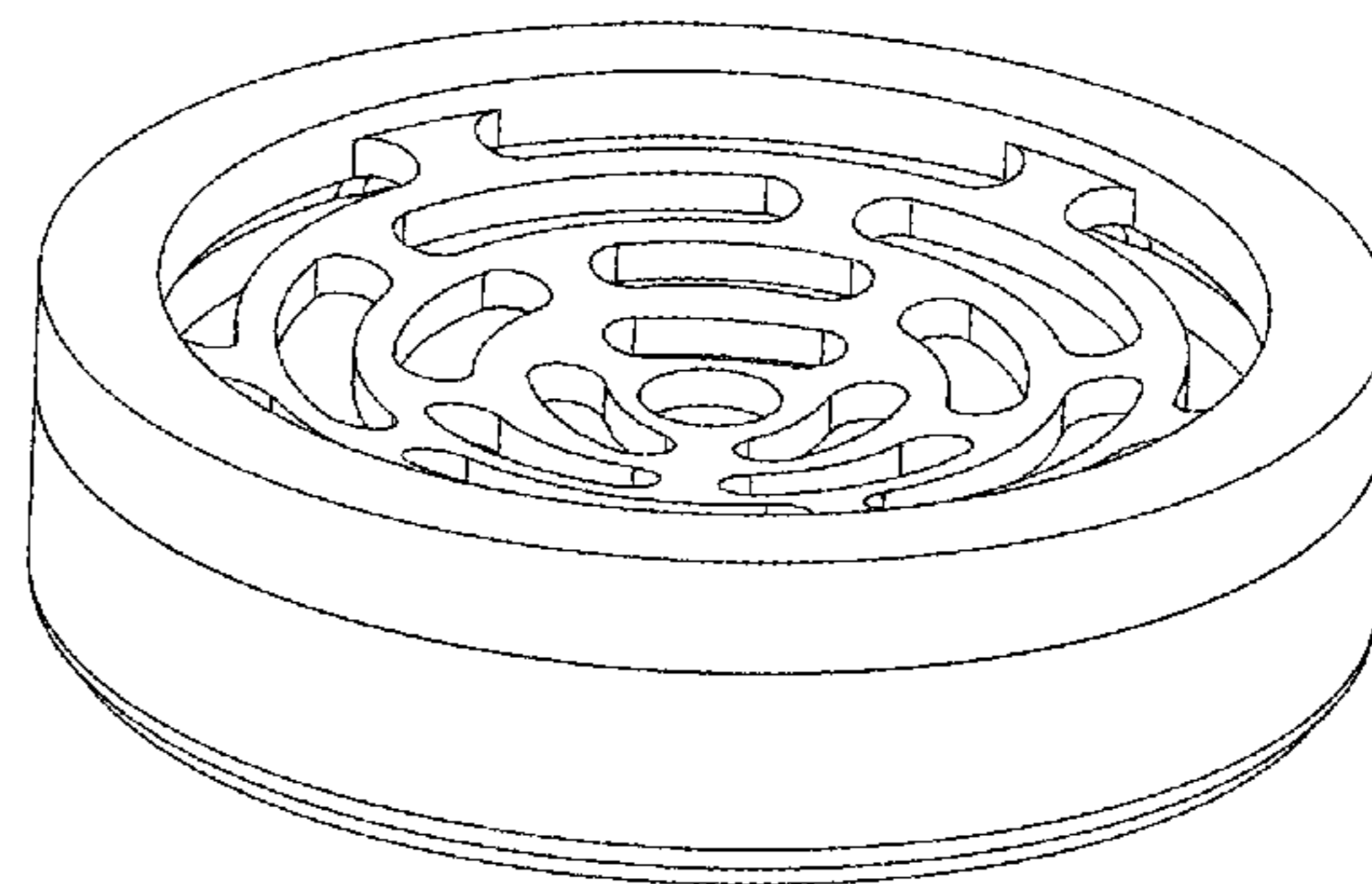
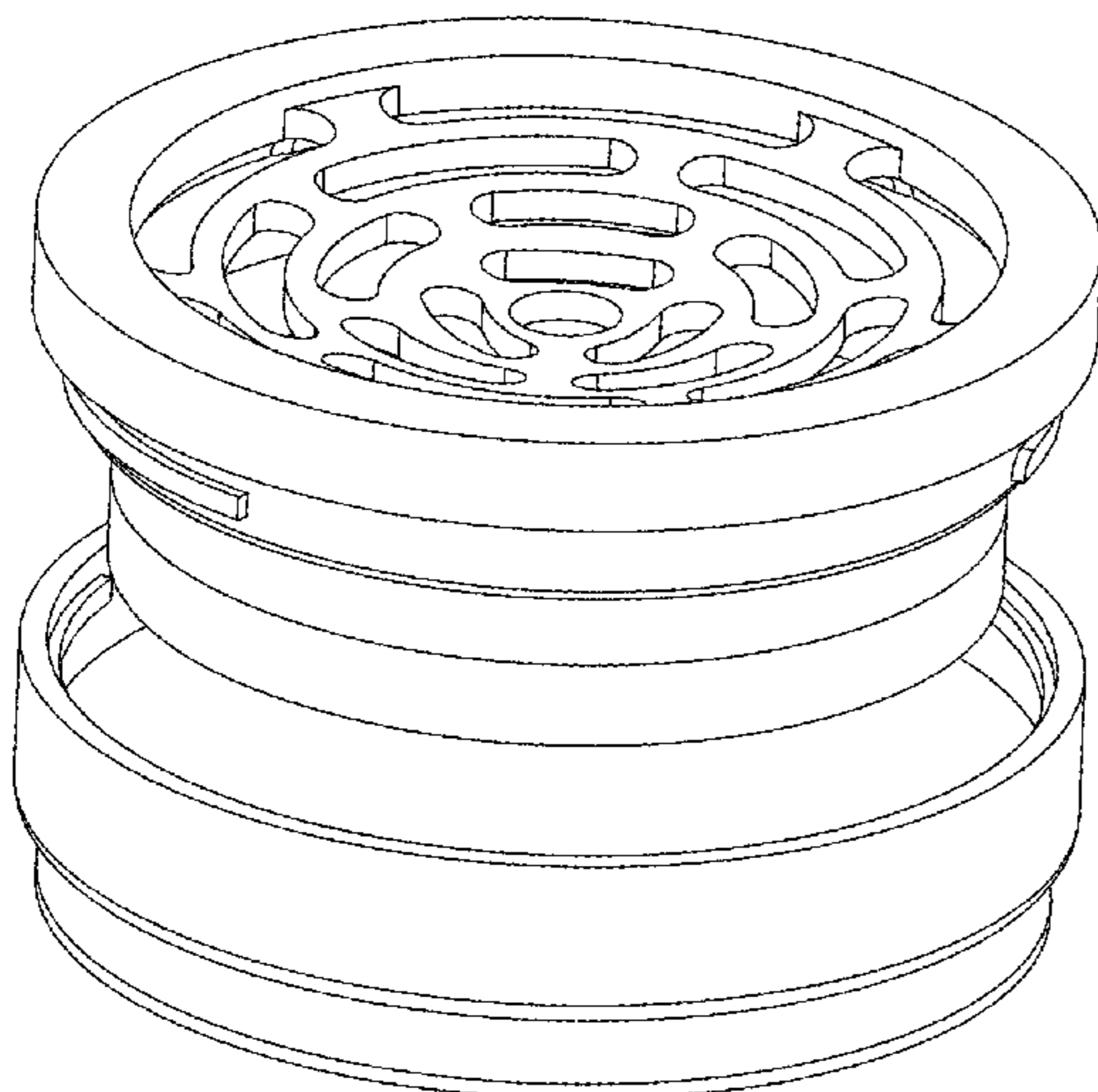
(57) **CLAIM**

The ornamental design for a coaster, as shown and
described.

DESCRIPTION

FIG. 1 is an exploded perspective view of the preferred
embodiment showing my new coaster design;
FIG. 2 is a closed perspective view of the coaster thereof;
FIG. 3 is a top plan view of the coaster thereof;
FIG. 4 is side view of the coaster thereof;
FIG. 5 is a top plan view of absorbent material shown in the
exploded view that inserts into the coaster as a part thereof;
FIG. 6 is an exploded cross sectional view taken along line
6-6 of FIG. 3 thereof showing from top to bottom: a top,
absorbent material, an insulating layer, a bottom, and a
surface under the bottom; and,
FIG. 7 is a cross sectional view taken along line 7-7 of FIG.
3 thereof.

1 Claim, 3 Drawing Sheets



(56)

References Cited

U.S. PATENT DOCUMENTS

4,336,574	A	6/1982	Goodman	
4,978,566	A	12/1990	Scheurer et al.	
D323,383	S	1/1992	Keays et al.	
D340,270	S	10/1993	Jones	
5,273,182	A	12/1993	Laybourne	
5,316,255	A	5/1994	Marcusen	
D387,250	S	12/1997	Tubbesing	
D392,919	S	3/1998	Butler	
5,743,506	A	4/1998	Adams	
D408,227	S	4/1999	Swann, Jr.	
D428,776	S	8/2000	Shuman	
D441,441	S	5/2001	Upton	
6,550,737	B1	4/2003	Sai et al.	
D483,621	S *	12/2003	Snell	D7/624.1
D491,257	S	6/2004	Picken, Jr.	
7,240,720	B2	7/2007	Noel	
D638,664	S	5/2011	Mayer	
D673,253	S	12/2012	Mack	
D677,994	S	3/2013	Williams	
D696,077	S	12/2013	Williams	
D730,126	S *	5/2015	Wall	D7/624.1
D736,567	S *	8/2015	Williams	D7/624.1
D738,691	S *	9/2015	Williams	D7/624.1
2002/0121583	A1	9/2002	Jones et al.	
2003/0106981	A1	6/2003	Ropp	
2006/0016294	A1	1/2006	McGrath et al.	
2007/0012067	A1	1/2007	Kaplan	
2008/0272261	A1	11/2008	Morlan	
2009/0020676	A1	1/2009	Curry	
2009/0060799	A1	3/2009	Torres	
2012/0223089	A1	9/2012	Moore	

* cited by examiner

FIG. 1

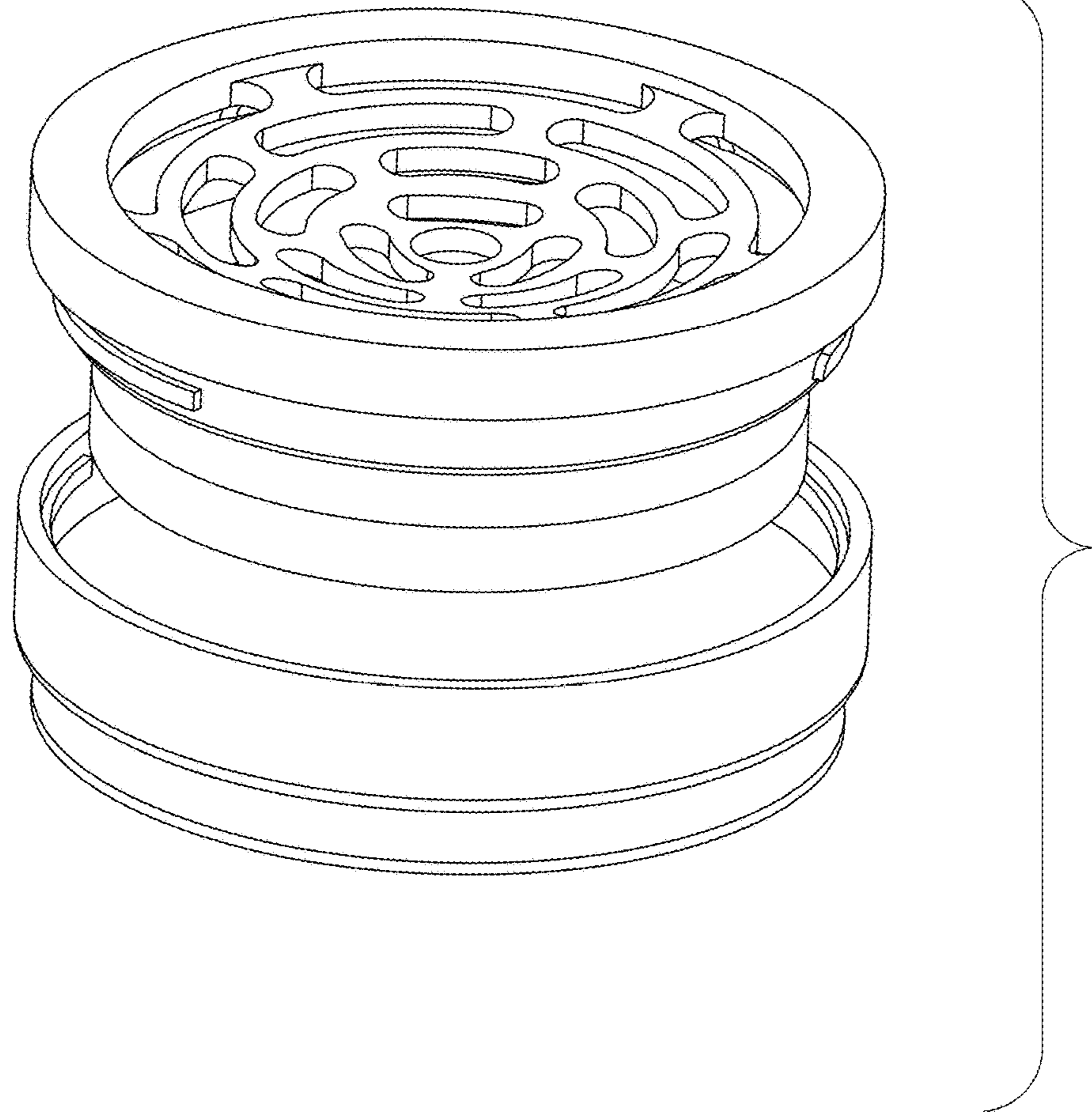
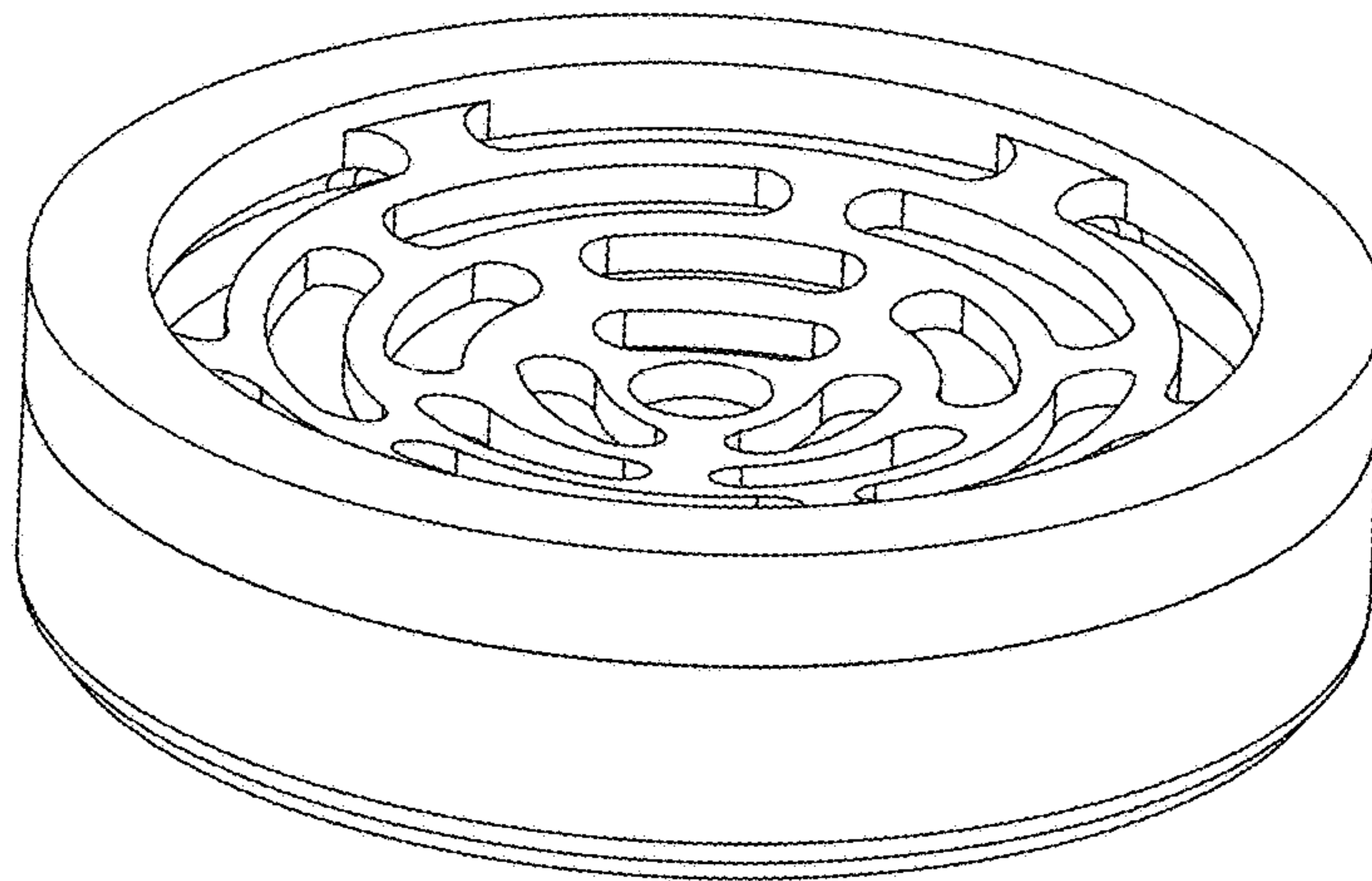


FIG. 2



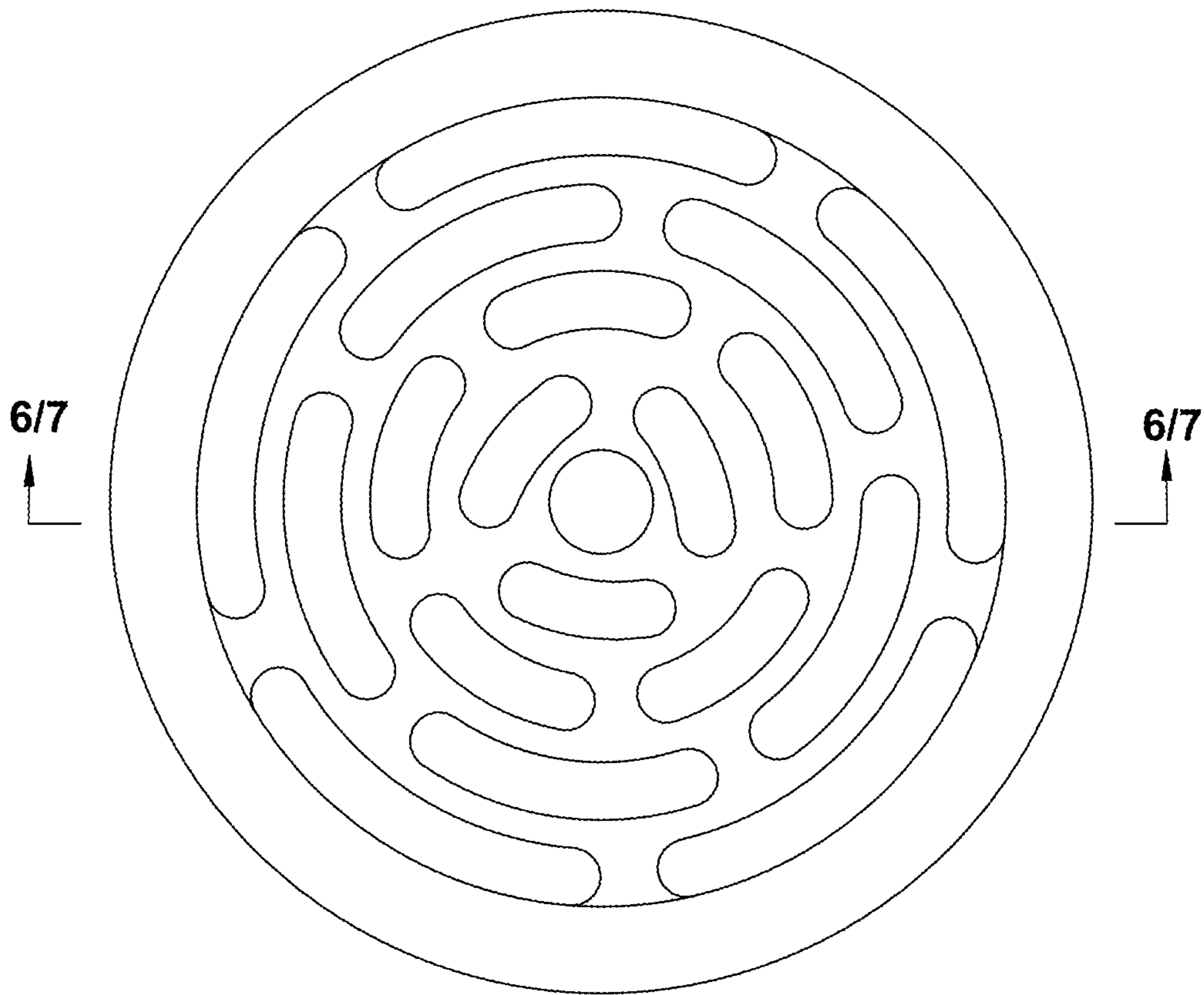


FIG. 3

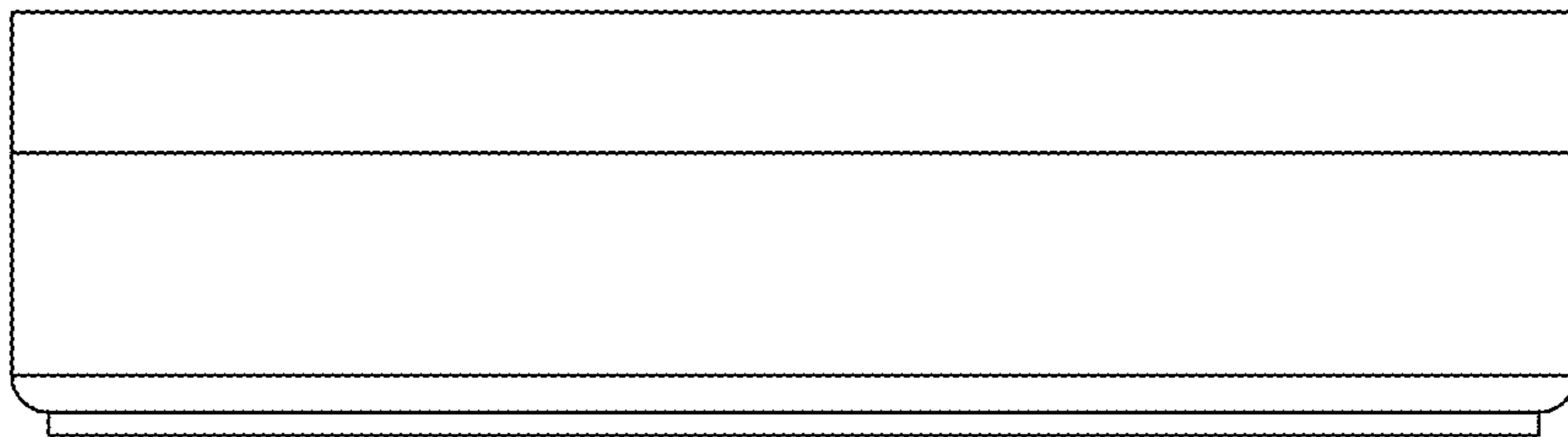


FIG. 4

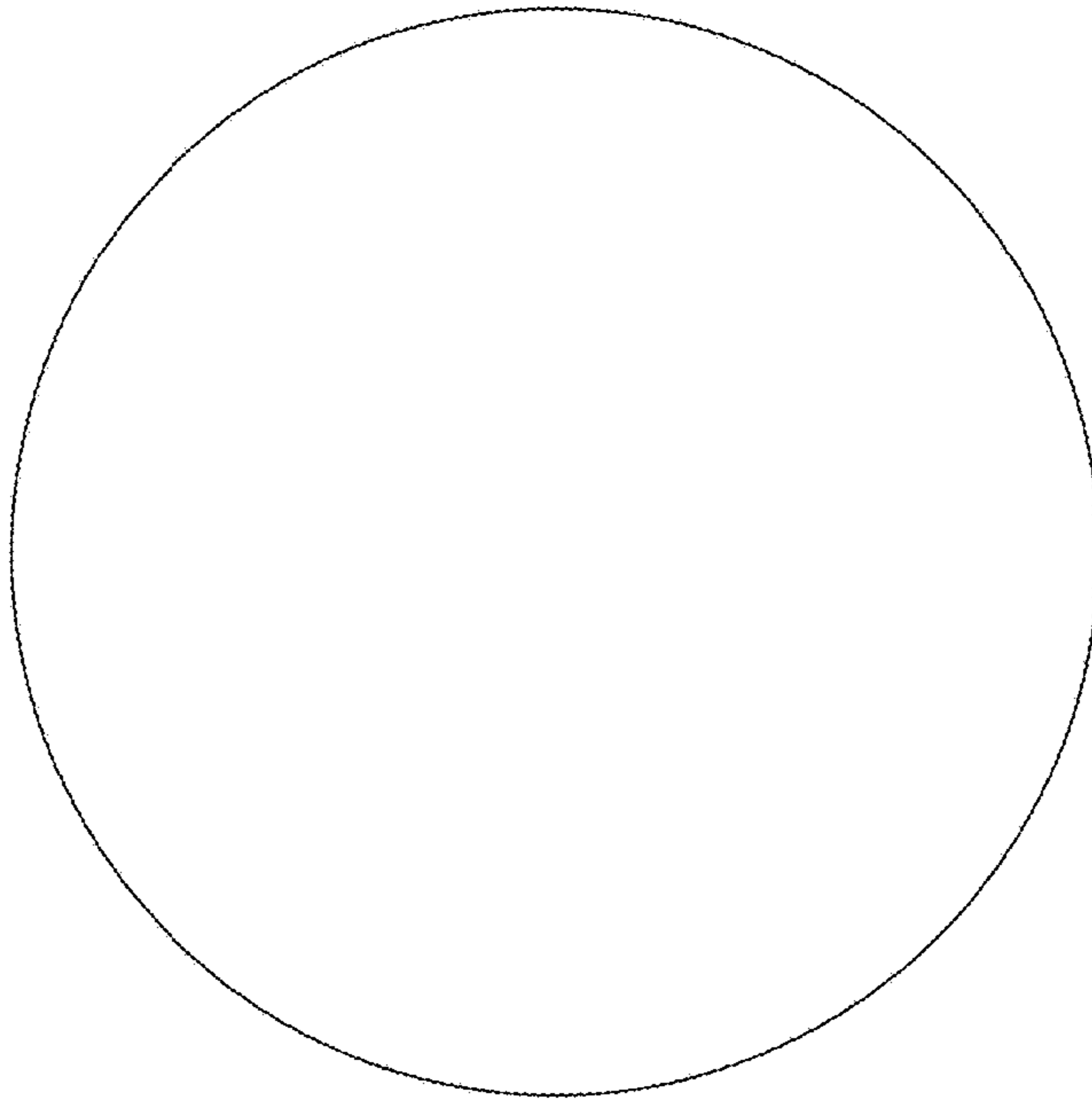


FIG. 5

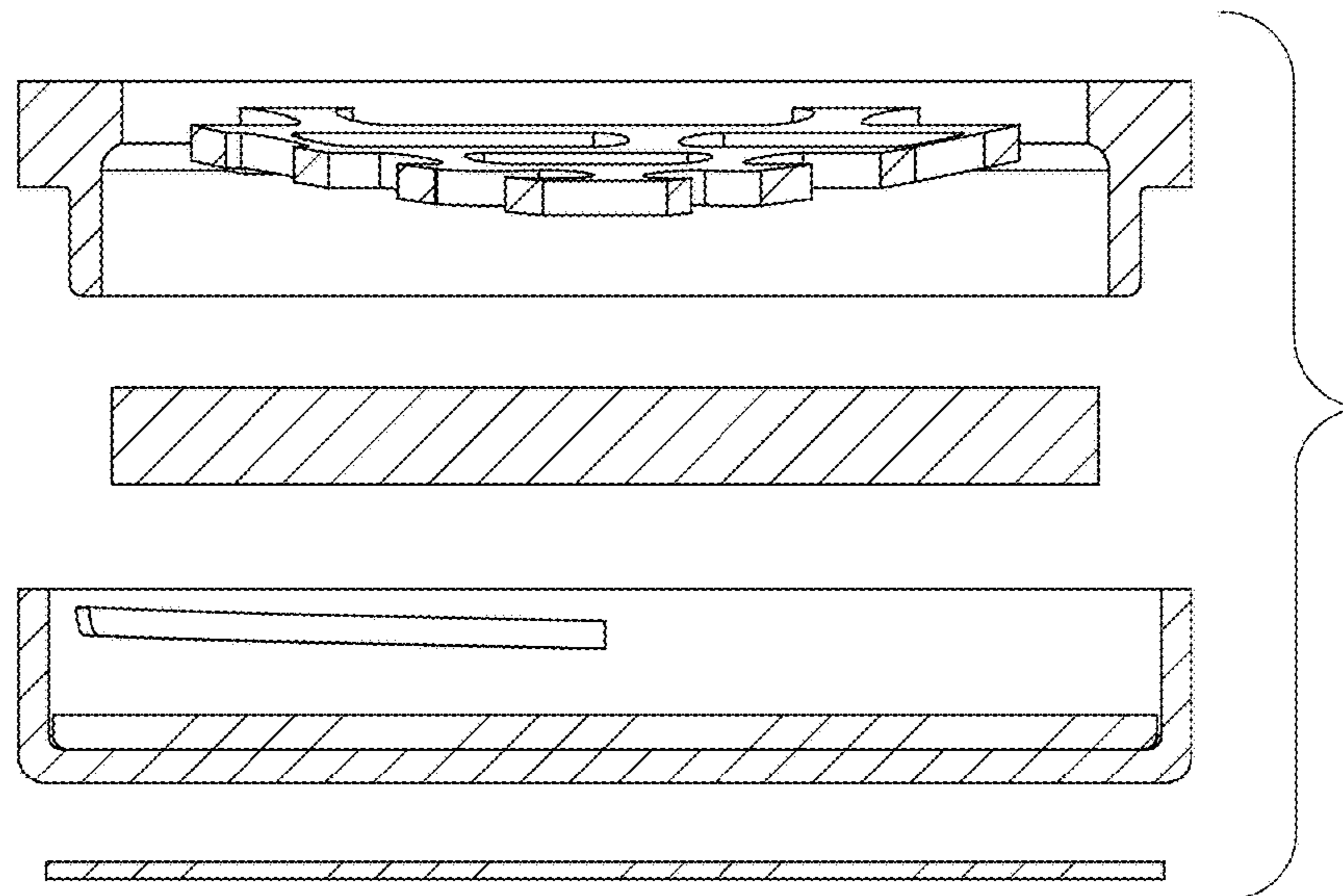


FIG. 6

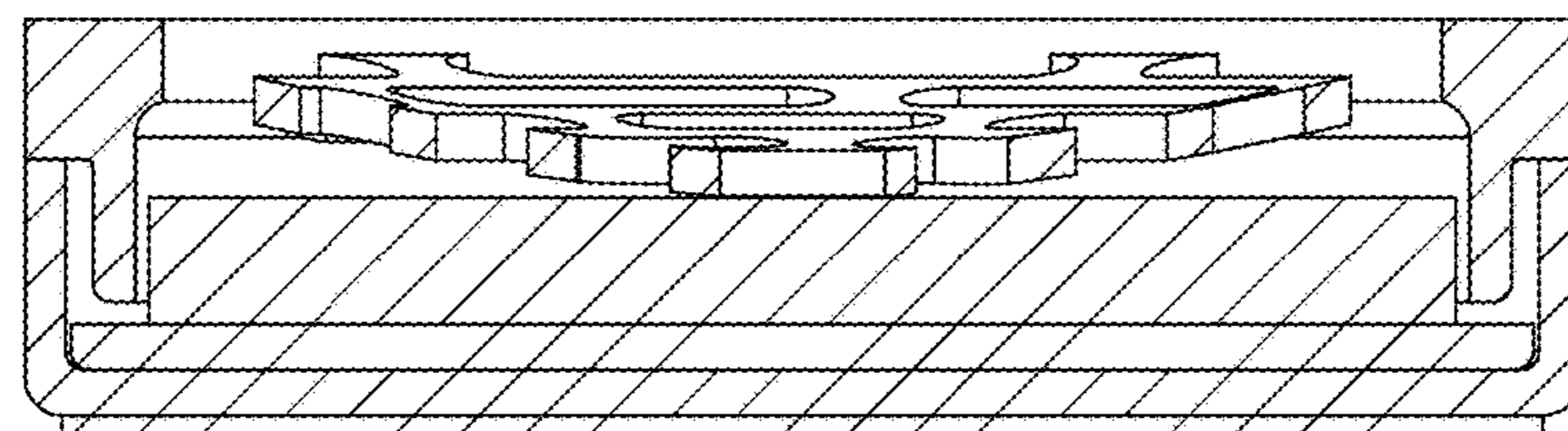


FIG. 7