



US00D781661S

(12) **United States Design Patent**
Smith

(10) **Patent No.:** **US D781,661 S**
(45) **Date of Patent:** **** Mar. 21, 2017**

(54) **VEHICLE-SHAPED COOLER**

FOREIGN PATENT DOCUMENTS

(71) Applicant: **C-M Glo, LLC**, Watertown, WI (US)

EP 2530415 12/2012

(72) Inventor: **Aaron W. Smith**, Watertown, WI (US)

OTHER PUBLICATIONS

(73) Assignee: **Seljan Tool Co., Inc.**, Lake Mills, WI (US)

Mike Shouts, Rover Cooler, Sep. 30, 2014, [site visited Jun. 7, 2016], Available on the Internet URL: <http://web.archive.org/web/20141007034453/http://mikesounds.com/pepsi-remote-control-rover-cooler/> or <http://mikesounds.com/pepsi-remote-control-rover-cooler/>.*

(**) Term: **14 Years**

(Continued)

(21) Appl. No.: **29/497,938**

(22) Filed: **Jul. 30, 2014**

(51) **LOC (10) Cl.** **07-01**

(52) **U.S. Cl.**
USPC **D7/606**

(58) **Field of Classification Search**
USPC D3/273; D7/602, 605; 62/239;
220/592.2; 280/47.26; 381/334;
455/344, 351
CPC ... A47J 39/00; B62B 1/00; B62B 7/02; B60H
1/32; H04R 9/06

See application file for complete search history.

Primary Examiner — Susan Bennett Hattan

Assistant Examiner — S. Bryan Reinholdt, Jr.

(74) *Attorney, Agent, or Firm* — Boyle Fredrickson, S.C.

(57) **CLAIM**

The ornamental design of a vehicle-shaped cooler, as shown and described.

DESCRIPTION

FIG. 1 is a front isometric view of a vehicle-shaped cooler in accordance with my new design;
FIG. 2 is a front isometric view similar to FIG. 1, showing a lid of the cooler in an open position;
FIG. 3 is a rear isometric view of the vehicle-shaped cooler of FIG. 1;
FIG. 4 is a rear isometric view similar to FIG. 3, showing a lid of the cooler in an open position;
FIG. 5 is a left side elevation view of the vehicle-shaped cooler of FIG. 1, wherein the right side elevation view is a mirror image thereof;
FIG. 6 is a top plan view thereof;
FIG. 7 is a front elevation view thereof; and,
FIG. 8 is a rear elevation view thereof.
The broken lines in the drawings illustrate portions of the cooler that form no part of the claim.

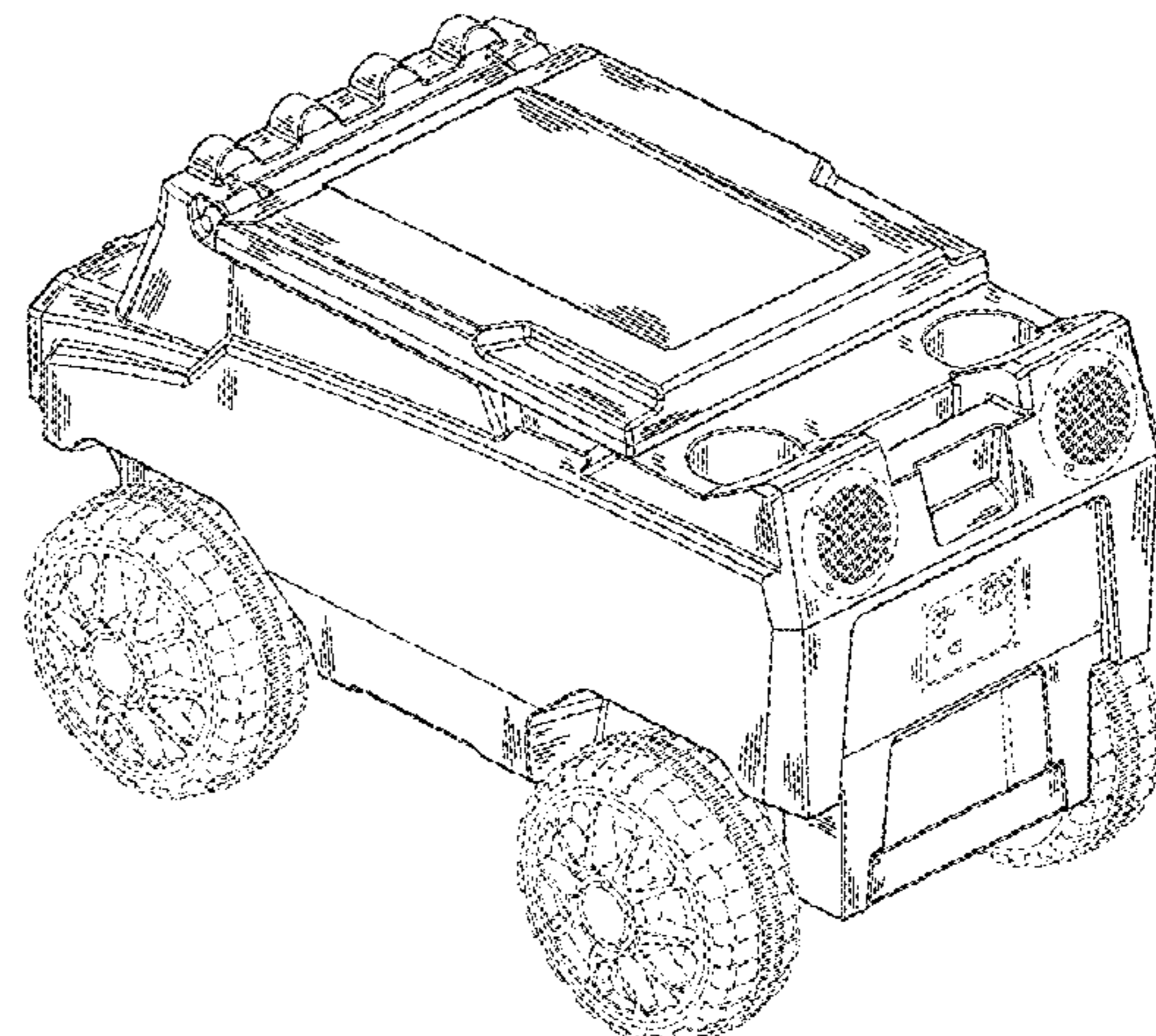
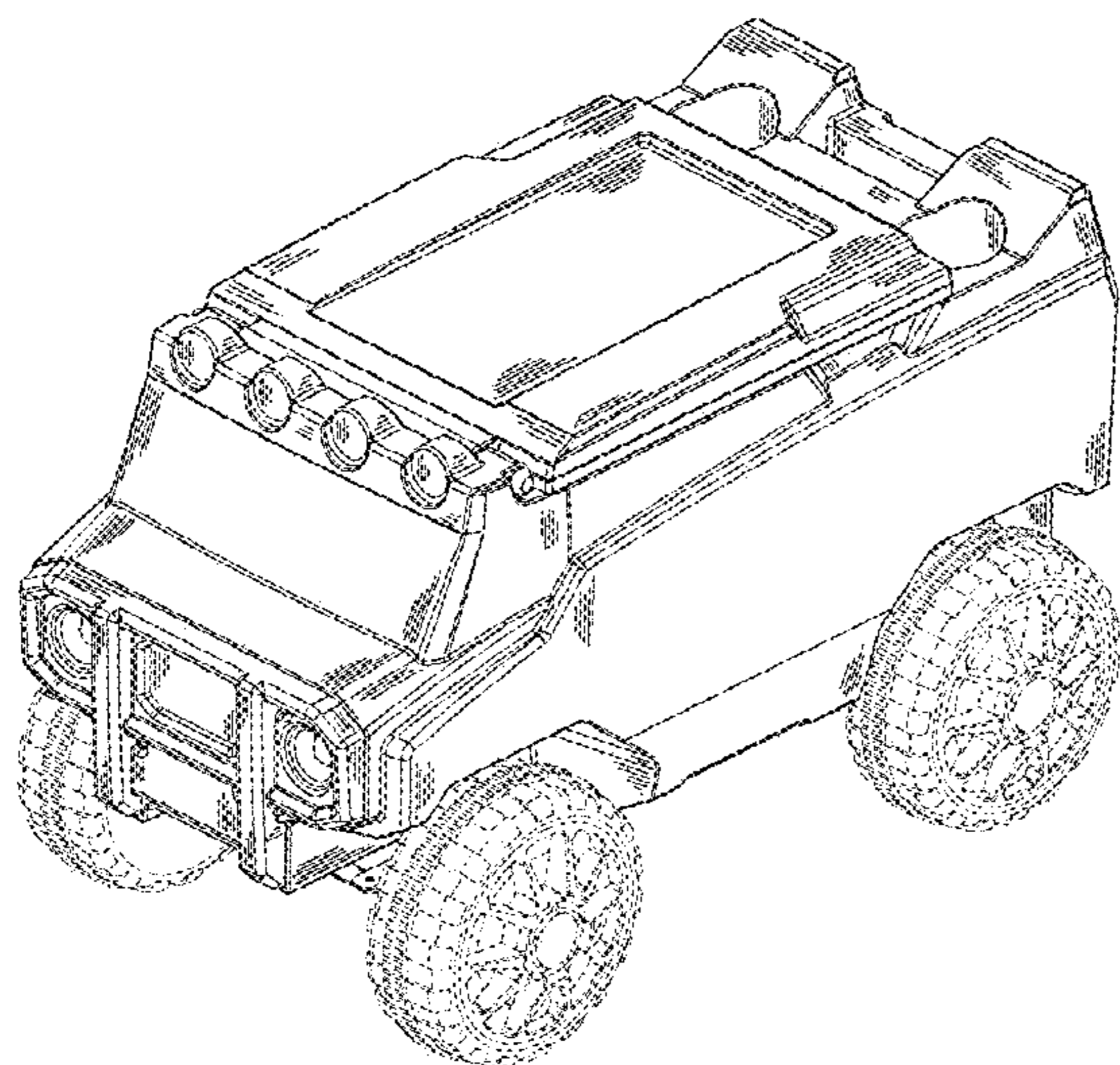
(56) **References Cited**

U.S. PATENT DOCUMENTS

4,700,395	A	10/1987	Long
4,817,191	A	3/1989	Adams
4,846,493	A	7/1989	Mason
4,873,841	A	10/1989	Bradshaw et al.
D305,397	S	1/1990	Balius
4,932,677	A	6/1990	Shustack
4,939,912	A	7/1990	Leonovich, Jr.
D321,515	S	11/1991	Harris
D328,221	S	7/1992	Piccarillo
D334,868	S	4/1993	Lau Woon
5,235,822	A	8/1993	Leonovich, Jr.
5,249,438	A	10/1993	Rhaney et al.
5,285,656	A	2/1994	Peters
5,313,817	A	5/1994	Meinders

(Continued)

1 Claim, 8 Drawing Sheets



(56)

References Cited

U.S. PATENT DOCUMENTS

D351,319 S 10/1994 Long et al.
 5,373,708 A 12/1994 Dumoulin, Jr.
 5,423,195 A 6/1995 Peters
 5,447,041 A 9/1995 Piechota
 5,465,985 A 11/1995 Devan et al.
 D365,733 S 1/1996 Freedland
 5,480,170 A 1/1996 Kaiser, II
 5,551,558 A 9/1996 Bureau
 5,683,097 A 11/1997 Fenton et al.
 5,727,844 A 3/1998 O'Quinn et al.
 5,730,282 A 3/1998 Bureau
 5,781,853 A 7/1998 Johnson
 5,803,472 A 9/1998 Lien
 5,884,795 A 3/1999 Godbersen et al.
 5,947,032 A 9/1999 Meier
 D414,987 S 10/1999 Moffett, III et al.
 5,975,334 A 11/1999 Mayo
 5,979,175 A 11/1999 Ellison
 6,176,499 B1 1/2001 Conrado et al.
 6,216,488 B1 4/2001 Rucker
 D442,438 S 5/2001 Schankowski
 6,305,185 B1 10/2001 Sloan
 6,311,991 B1 11/2001 Conrado et al.
 6,315,149 B1 11/2001 Conrado et al.
 6,318,740 B1 11/2001 Nappo
 6,328,179 B1 12/2001 Conrado et al.
 6,341,817 B1 1/2002 Stern-Gonzalez
 6,364,329 B1 4/2002 Holub et al.
 6,386,557 B1 5/2002 Weldon
 6,474,097 B2 11/2002 Treppedi et al.
 6,497,424 B2 12/2002 Gartner et al.
 6,502,656 B2 1/2003 Weiss et al.
 6,533,298 B2 3/2003 Sims
 D486,037 S 2/2004 Corzo
 6,755,428 B2 6/2004 Butler
 D499,612 S 12/2004 Smith, Sr.
 6,857,930 B1 2/2005 Lawley, Jr.
 6,980,788 B2 12/2005 Peeples
 D514,391 S * 2/2006 Miesieski D7/605
 D514,892 S 2/2006 Lee
 6,993,931 B1 2/2006 Hamilton
 D516,869 S 3/2006 Beal
 7,055,642 B1 6/2006 Chambers et al.
 D530,158 S 10/2006 Miesieski et al.
 7,128,299 B1 10/2006 Klotz
 7,140,507 B2 11/2006 Maldonado et al.
 7,143,601 B1 12/2006 Jimenez
 7,188,491 B2 3/2007 Donald, II et al.
 7,210,545 B1 5/2007 Waid
 7,306,243 B2 12/2007 Van Horn et al.
 7,309,106 B2 12/2007 Stallman
 7,334,802 B2 2/2008 Kaplan
 7,340,917 B1 3/2008 Coleman
 7,387,305 B2 6/2008 Vanderberg et al.

7,389,608 B1 6/2008 MacKay
 7,407,032 B1 8/2008 Chambers et al.
 7,451,709 B2 11/2008 Swartfager et al.
 D582,217 S 12/2008 Libby et al.
 7,458,589 B2 12/2008 Vanderberg et al.
 7,475,889 B2 1/2009 Marmah et al.
 7,481,065 B2 1/2009 Krieger
 7,543,828 B2 6/2009 Vanderberg et al.
 7,549,653 B2 6/2009 Vanderberg et al.
 7,559,559 B2 7/2009 Vanderberg et al.
 7,604,290 B1 10/2009 Giordano
 D608,158 S * 1/2010 Beal D7/605
 7,677,580 B2 3/2010 Vanderberg et al.
 7,681,412 B1 3/2010 Arroyo et al.
 7,798,886 B1 9/2010 Williamson
 7,806,271 B1 10/2010 Kraska
 7,909,148 B1 3/2011 Miller et al.
 D646,528 S * 10/2011 Stallman D7/605
 8,181,811 B1 5/2012 Blake
 8,256,156 B1 9/2012 Burgoyne, Jr.
 8,256,242 B1 9/2012 Evans
 8,317,046 B2 11/2012 Vanderberg et al.
 8,327,963 B1 12/2012 Faulkingham
 8,365,944 B2 2/2013 Vanderberg et al.
 8,403,162 B2 3/2013 Vanderberg et al.
 8,424,699 B2 4/2013 Vanderberg et al.
 8,424,708 B2 4/2013 Vanderberg et al.
 8,430,265 B2 4/2013 Vanderberg et al.
 8,448,813 B2 5/2013 Vanderberg et al.
 8,505,726 B1 8/2013 Woog
 8,511,406 B2 8/2013 Anasiewicz
 2002/0125668 A1 9/2002 Sims
 2003/0038138 A1 2/2003 Komurke
 2003/0139169 A1 7/2003 Arreazola, Jr.
 2004/0025531 A1 2/2004 Holloman-Hughes et al.
 2005/0029030 A1 2/2005 Ewert
 2006/0048534 A1 3/2006 Beal
 2006/0178172 A1 8/2006 Yuen
 2006/0237239 A1 10/2006 Bruner et al.
 2008/0025544 A1 1/2008 Maldonado
 2008/0031483 A1 2/2008 Hill
 2009/0049859 A1 2/2009 Moon
 2009/0049860 A1 2/2009 Manner et al.
 2009/0158770 A1 6/2009 Cohrs et al.
 2009/0188736 A1 7/2009 Niddam et al.
 2010/0126196 A1 5/2010 McCance
 2010/0263398 A1 10/2010 Webb
 2011/0073600 A1 3/2011 Adderton
 2012/0234704 A1 9/2012 Levy et al.

OTHER PUBLICATIONS

C3 Custom Coolers-YouTube, C3 Rover-Green Bay Packers, Sep. 12, 2014, [site visited Jun. 7, 2016], Available on the Internet URL:<https://www.youtube.com/watch?v=D-q8NE_aYqI>.*

* cited by examiner

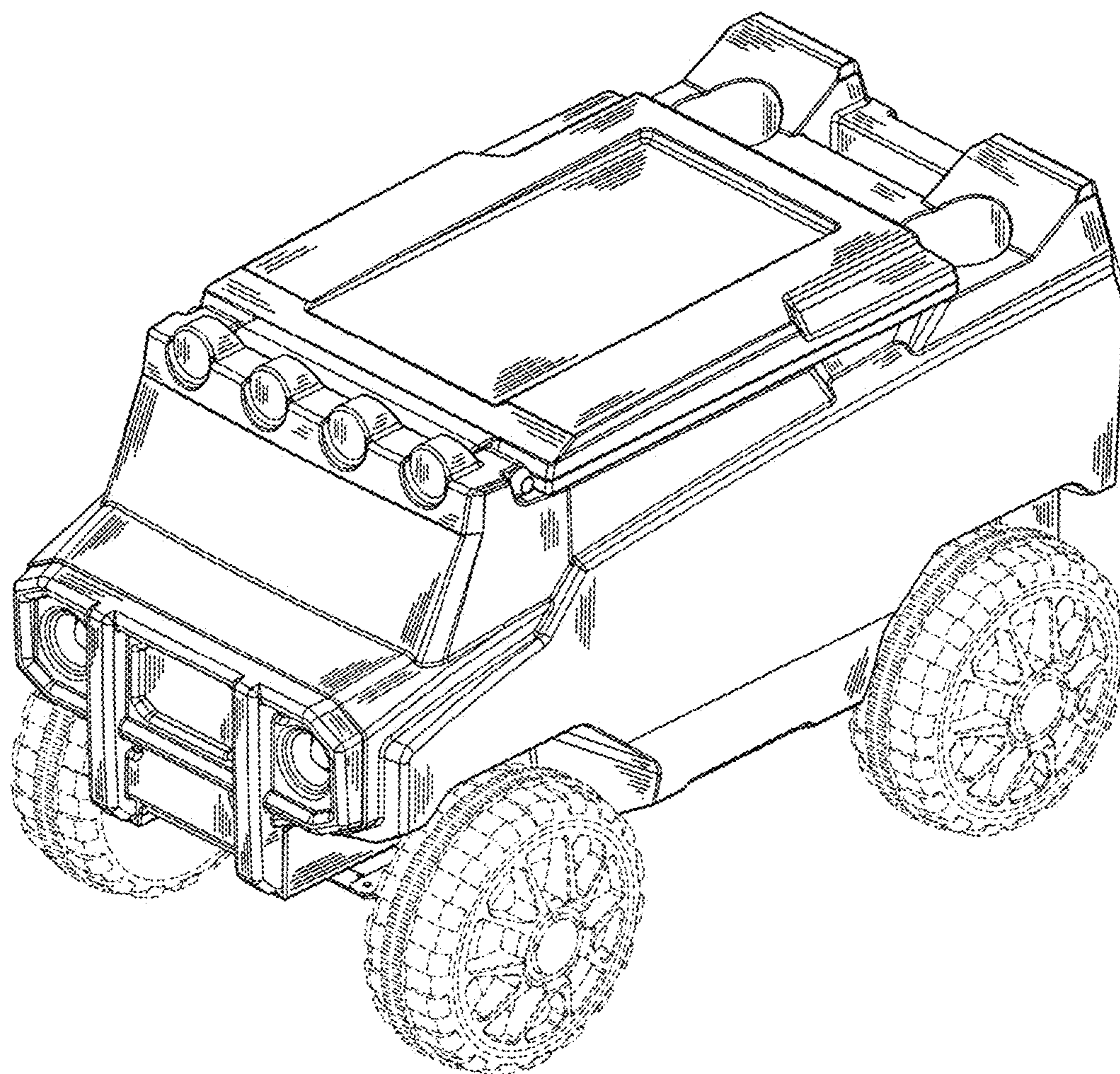


FIG. 1

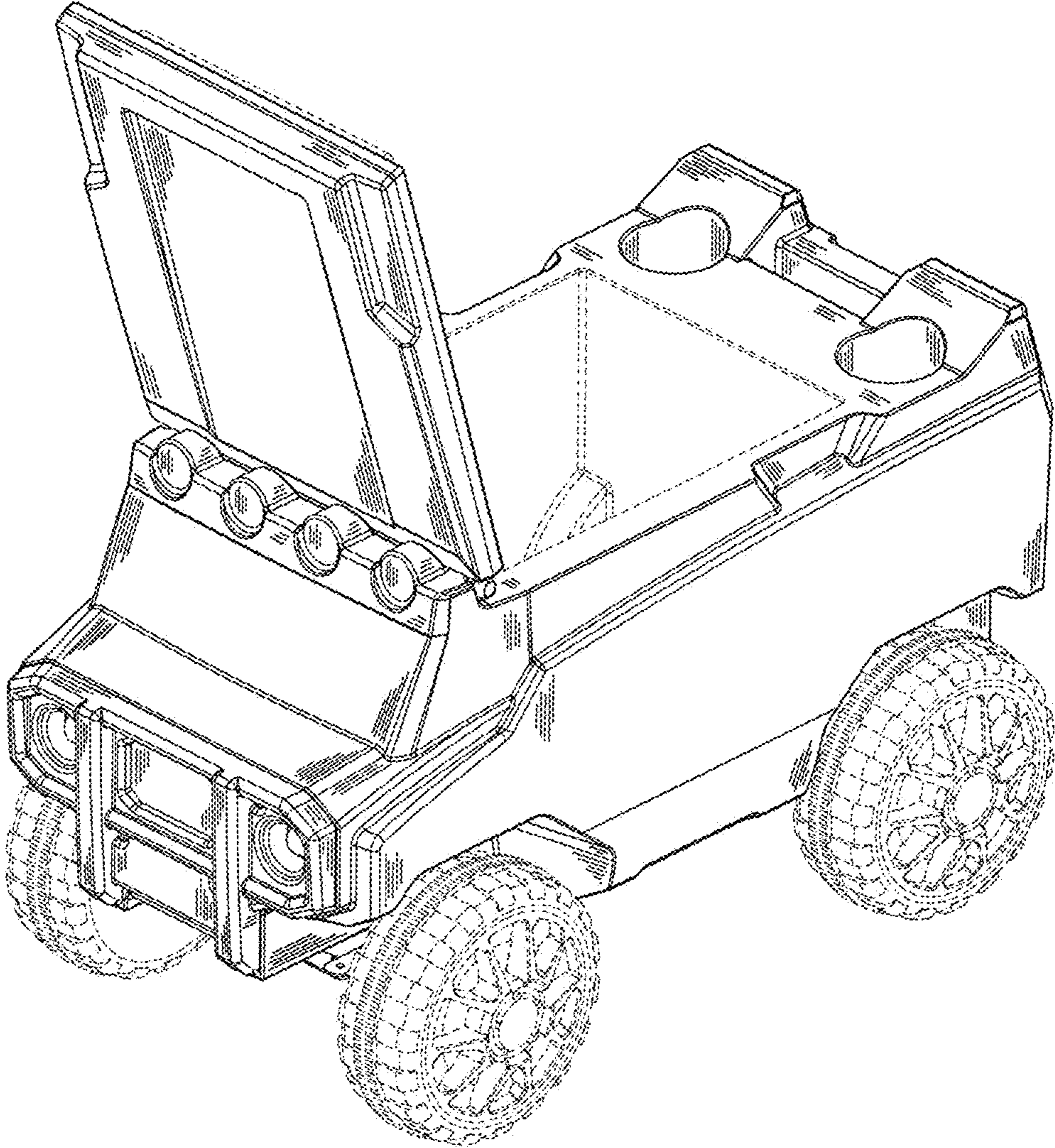


FIG. 2

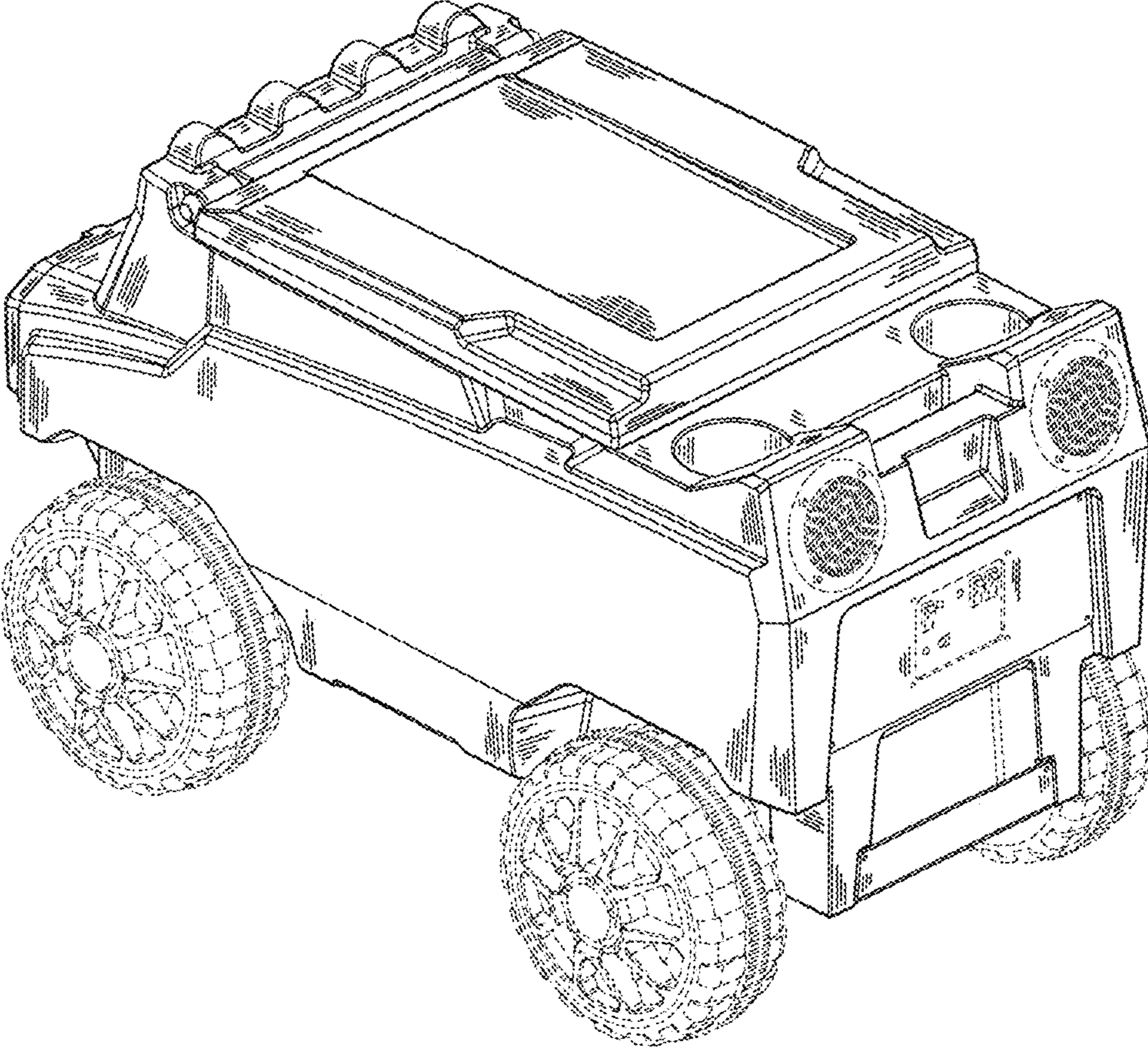


FIG. 3

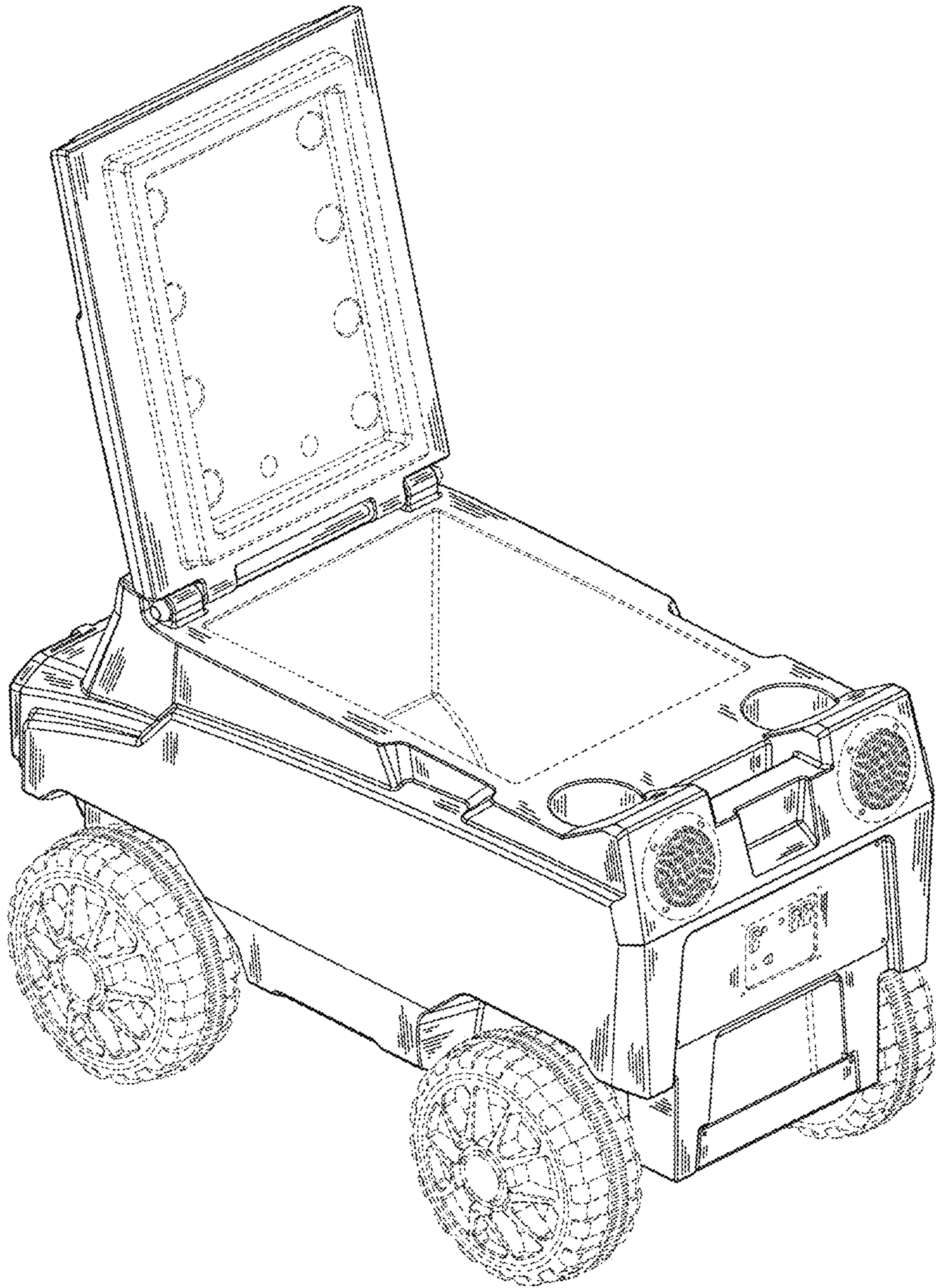


FIG. 4

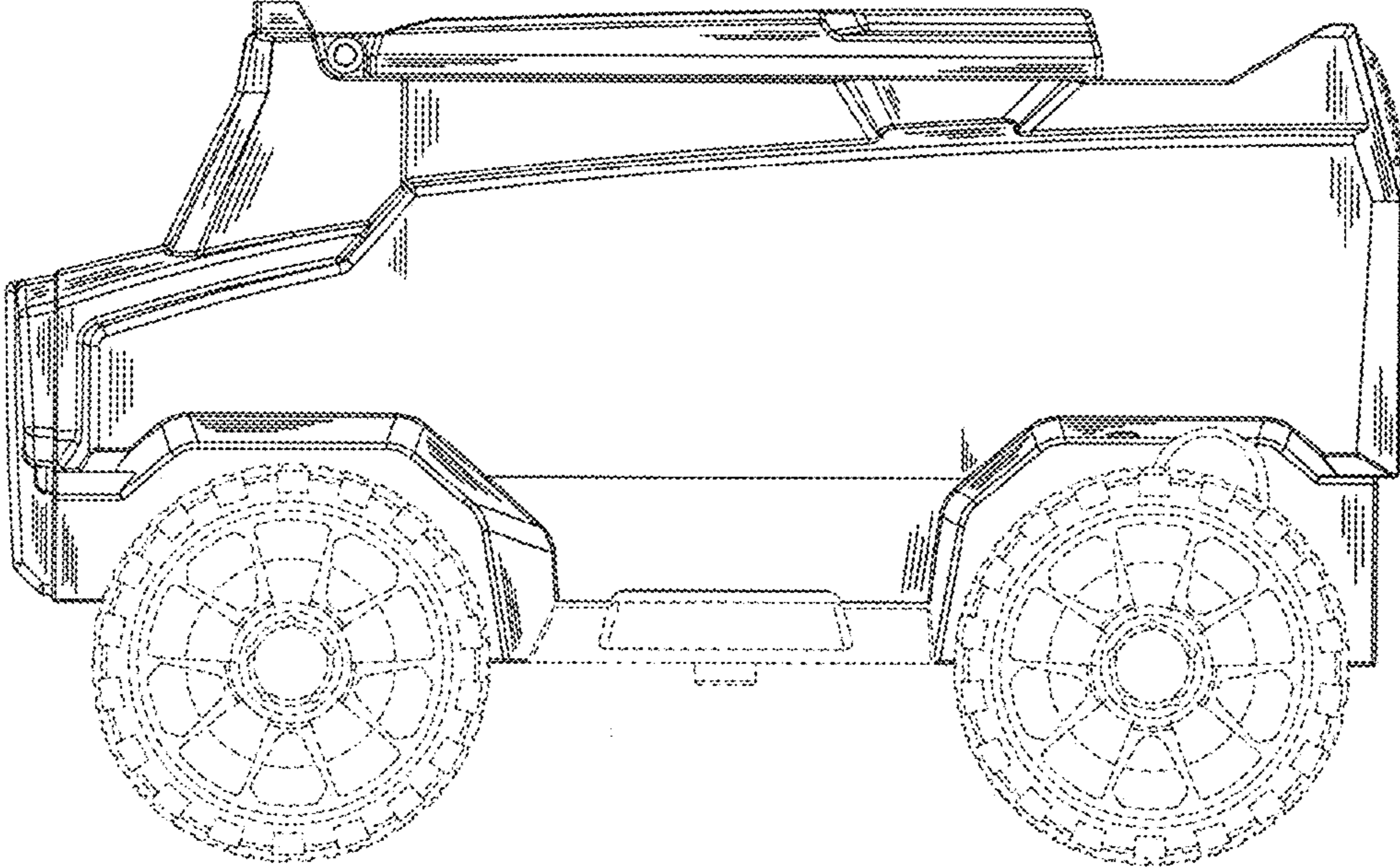


FIG. 5

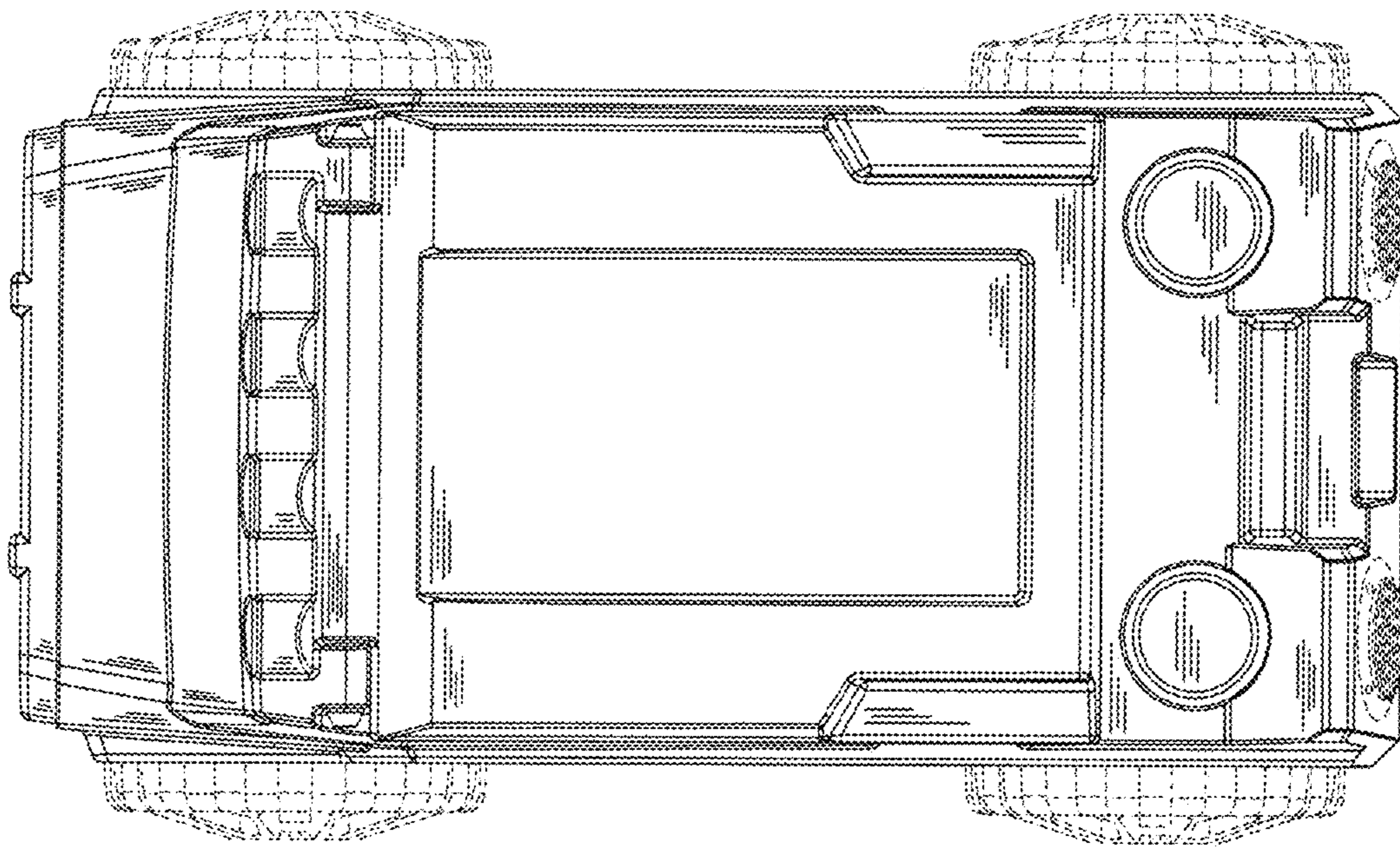


FIG. 6

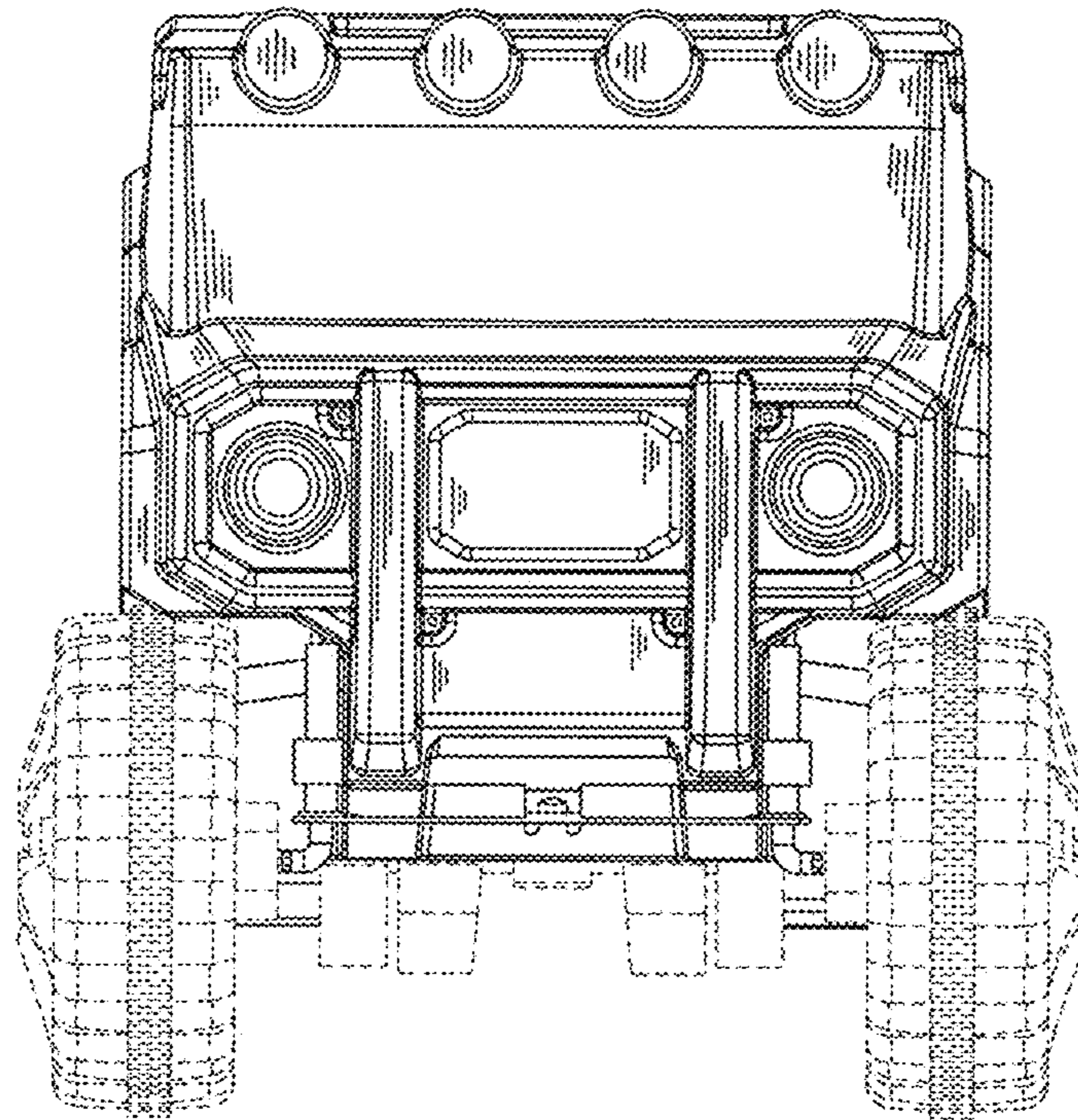


FIG. 7

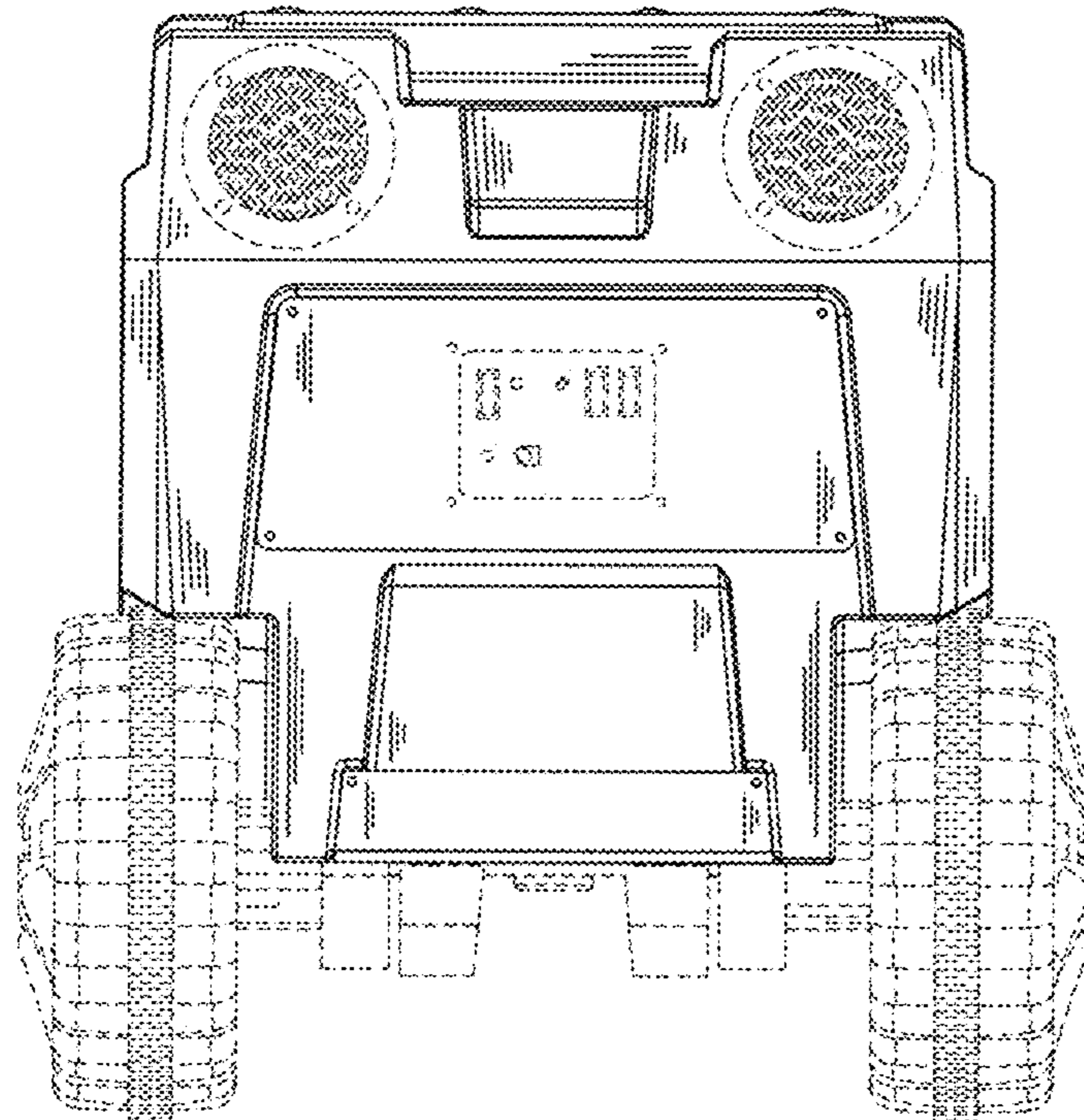


FIG. 8