



US00D781660S

(12) **United States Design Patent**
Chen

(10) **Patent No.:** **US D781,660 S**

(45) **Date of Patent:** **** Mar. 21, 2017**

- (54) **HOLDER FOR CUP-SHAPED CAPSULE**
- (71) Applicant: **Fang Yin Chen**, Taichung (TW)
- (72) Inventor: **Fang Yin Chen**, Taichung (TW)
- (**) Term: **15 Years**
- (21) Appl. No.: **29/548,193**
- (22) Filed: **Dec. 11, 2015**
- (51) **LOC (10) Cl.** **07-06**
- (52) **U.S. Cl.**
USPC **D7/600.4**
- (58) **Field of Classification Search**
USPC ... D7/600.1-600.4, 601, 602, 590, 610, 611,
D7/600, 701-708, 619.1, 619.2, 620, 621,
D7/622, 623, 709, 710, 628, 630;
D6/678.4, 678, 677.5, 676.5, 512, 552
CPC .. A47F 7/0078; A47F 1/00; A47F 1/04; A47F
1/06; A47F 1/08; A01G 9/00; A47G 7/00;
A47G 7/04; A47G 7/06; A47G 7/08;
A47G 23/02; A47G 23/03; A47G 29/00;
A47G 29/08; A47G 29/087; A47G 29/10;
B25H 3/04; B25H 3/003; A47J 47/00;
A47J 47/01; A47J 47/16; A47J 47/20;
A47B 49/00; A47B 81/007; A47B 73/00;
A47B 73/002; A47B 73/004; A47B
73/006; A47B 73/008
See application file for complete search history.

(56) **References Cited**
U.S. PATENT DOCUMENTS

D90,902 S *	10/1933	Weeks	D6/677.2
D182,356 S *	3/1958	Cohen	D6/677.2
2,883,063 A *	4/1959	Baren	B01L 9/00
				211/78
4,250,664 A *	2/1981	Remke	A01G 23/04
				206/423

4,287,840 A *	9/1981	Weidner	A01G 23/04
				111/101
D314,294 S *	2/1991	Axhamre	D6/677.2
D365,237 S *	12/1995	Stirling	D6/552
6,805,366 B1 *	10/2004	Seara	B62B 3/00
				280/47.26
D527,205 S *	8/2006	Axhamre	D6/677.2
D619,362 S *	7/2010	Hertaus	D3/306
D620,709 S *	8/2010	Hertaus	D3/306
D620,711 S *	8/2010	Hertaus	D3/306
D622,961 S *	9/2010	Hertaus	D3/306
D634,933 S *	3/2011	Hertaus	D3/306
D651,023 S *	12/2011	Sparkowski	D6/680
D680,382 S *	4/2013	Tiemann	D7/600.2

(Continued)

Primary Examiner — Ian Simmons
Assistant Examiner — Shannon Morgan
(74) *Attorney, Agent, or Firm* — Raymond Y. Chan;
David and Raymond Patent Firm

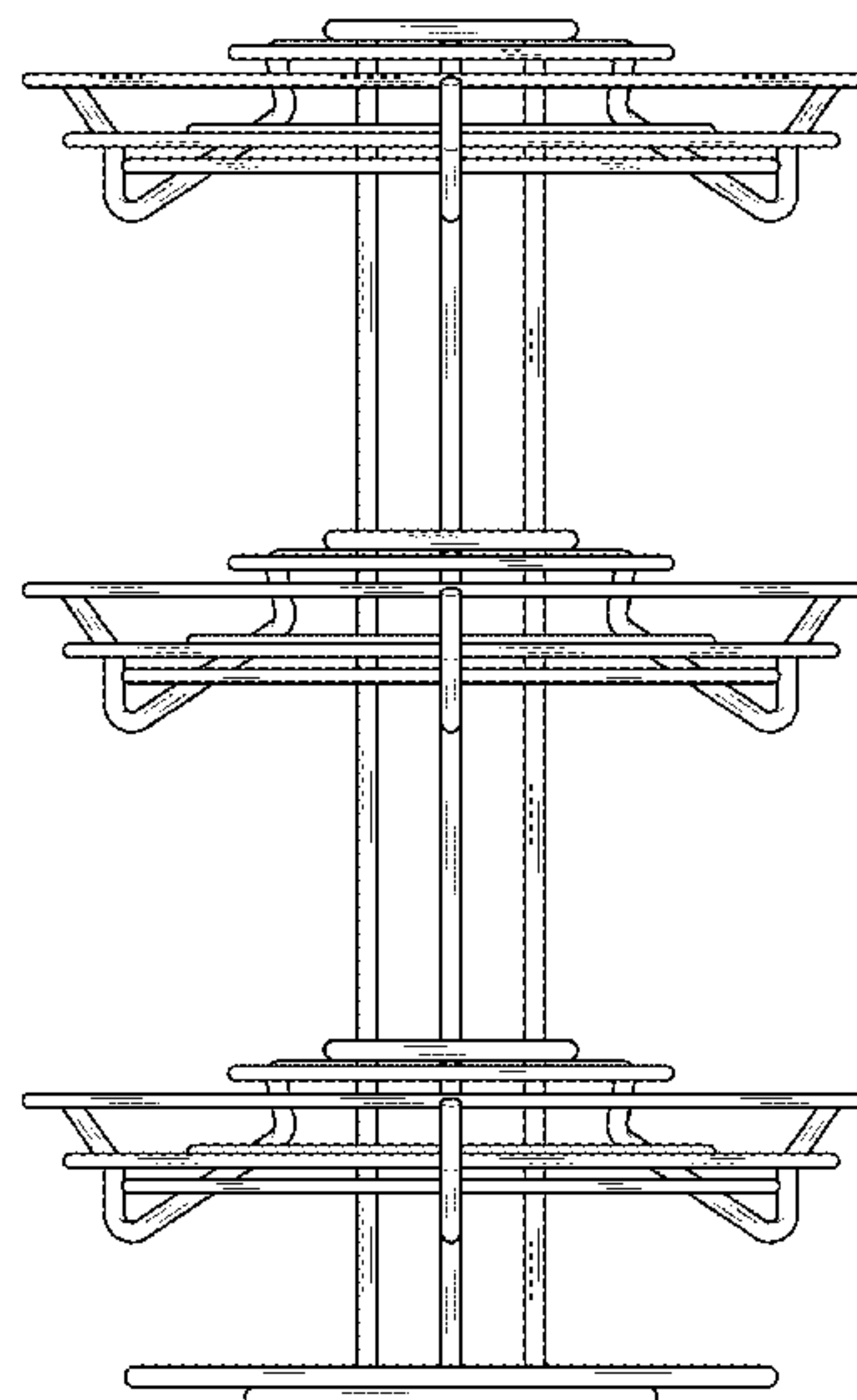
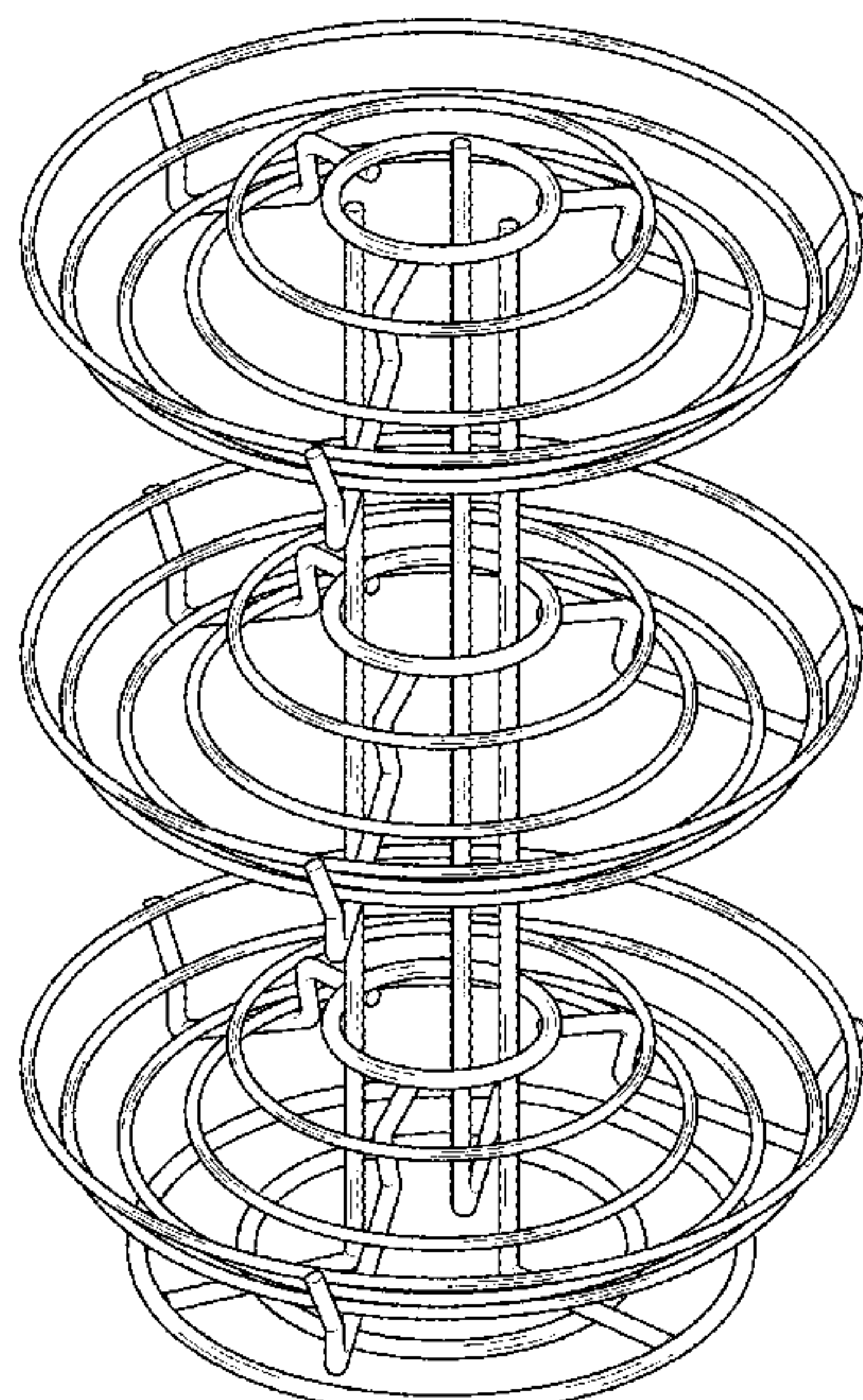
(57) **CLAIM**

The ornamental design for a holder for cup-shaped capsule, as shown and described.

DESCRIPTION

FIG. 1 is a top, front right perspective view of a holder for cup-shaped capsule showing my new design.
FIG. 2 is a front view thereof.
FIG. 3 is a rear view thereof.
FIG. 4 is a left view thereof.
FIG. 5 is a right view thereof.
FIG. 6 is a top view thereof.
FIG. 7 is a bottom view thereof; and,
FIG. 8 is another top, front right perspective view of the holder for cup-shaped capsule showing my new design.
The broken lines in FIG. 8 of the holder for cup-shaped capsule are for the purpose of illustrating environment, and form no part of the claimed design.

1 Claim, 8 Drawing Sheets



(56)

References Cited

U.S. PATENT DOCUMENTS

D688,529 S *	8/2013	Tiemann	D7/600.2
D688,919 S *	9/2013	Tiemann	D7/600.4
D698,607 S *	2/2014	Chen	D7/600.4
D700,017 S *	2/2014	Hertaus	D7/600.4
D703,006 S *	4/2014	Hsu	D7/600.4
D744,289 S *	12/2015	Tiemann	D7/600.2
D765,474 S *	9/2016	Khaitan	D7/601
D768,442 S *	10/2016	Lee	D7/600.2
2011/0253711 A1 *	10/2011	Hertaus	A47F 5/01 220/4.27

* cited by examiner

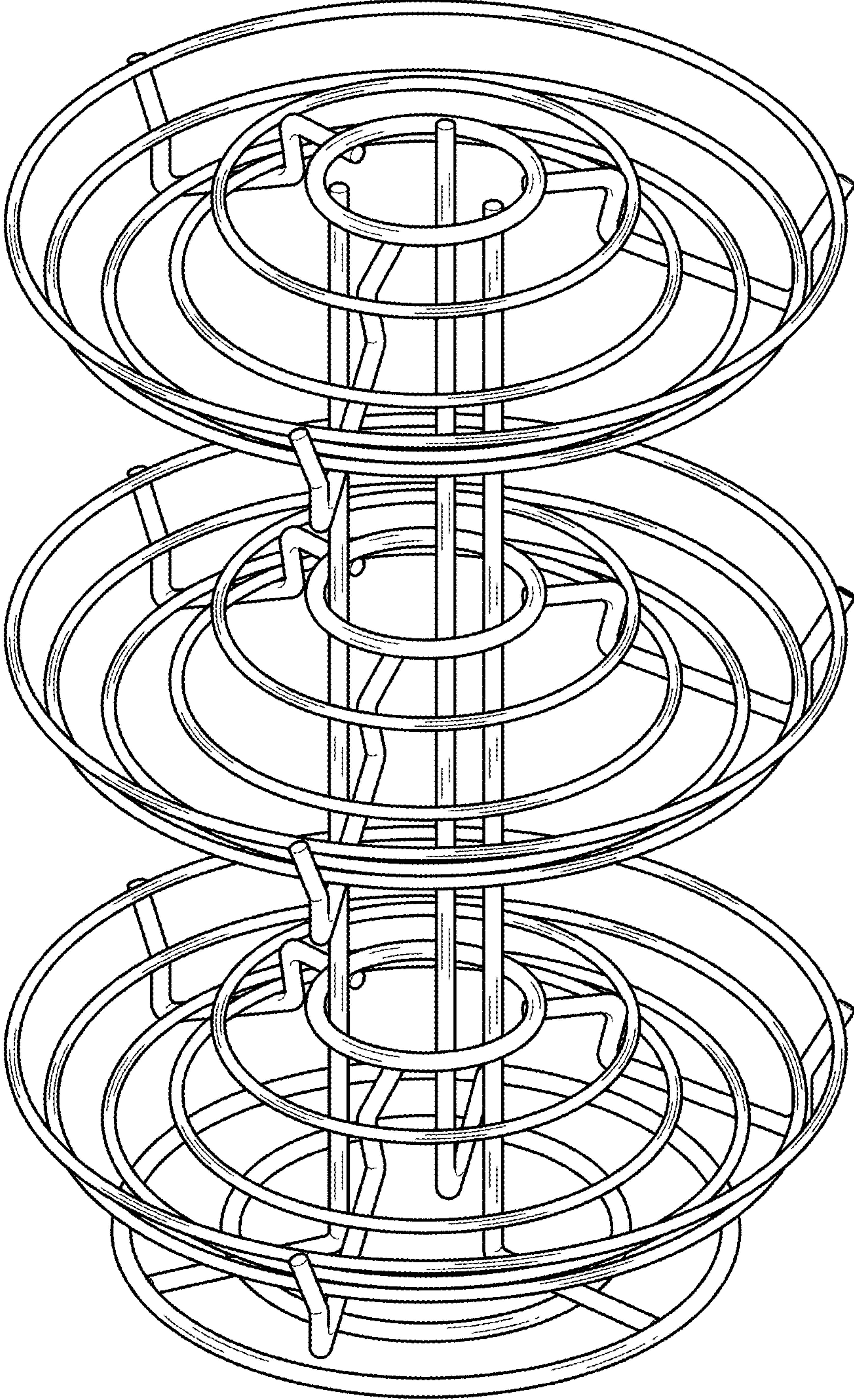


FIG.1

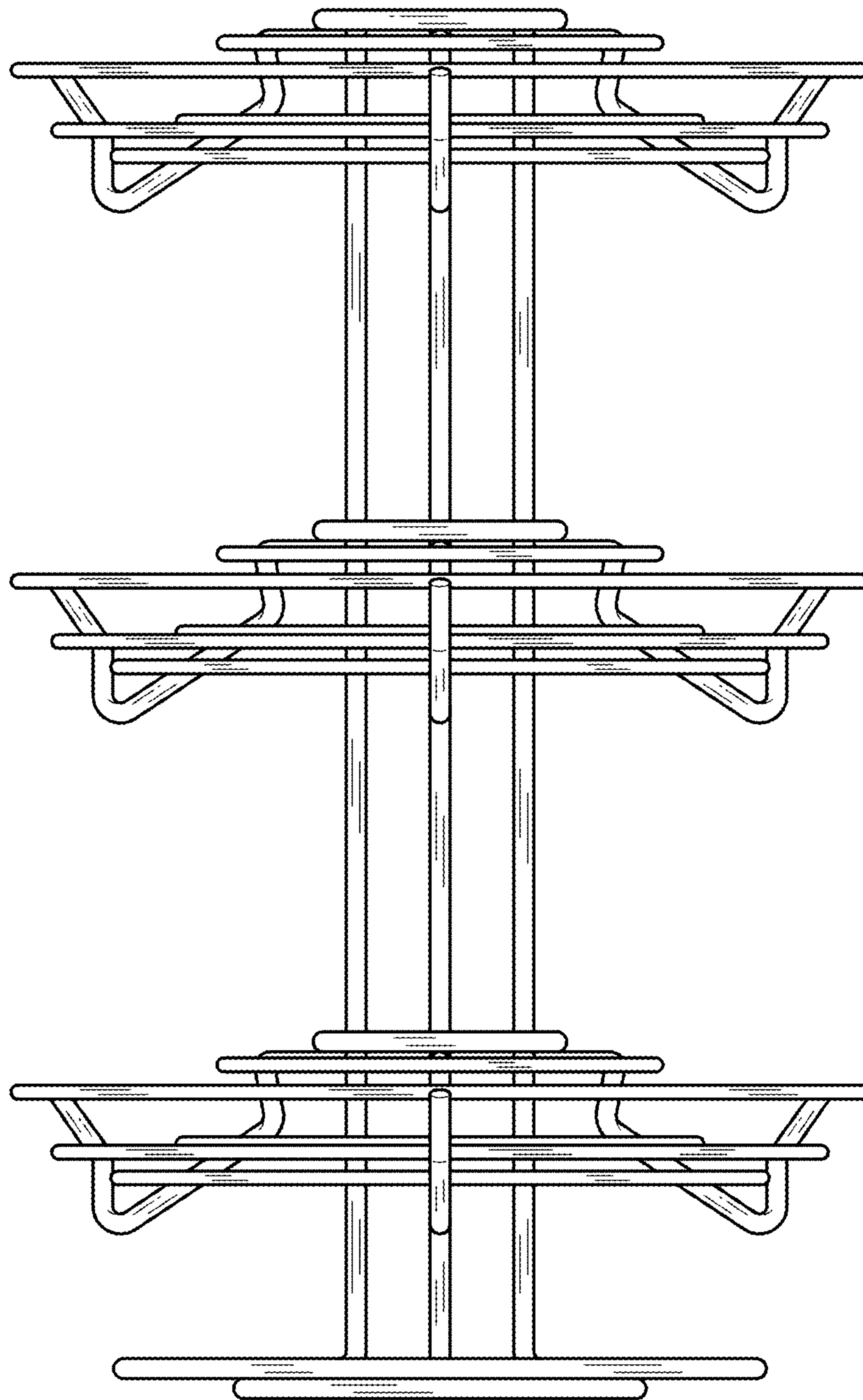


FIG.2

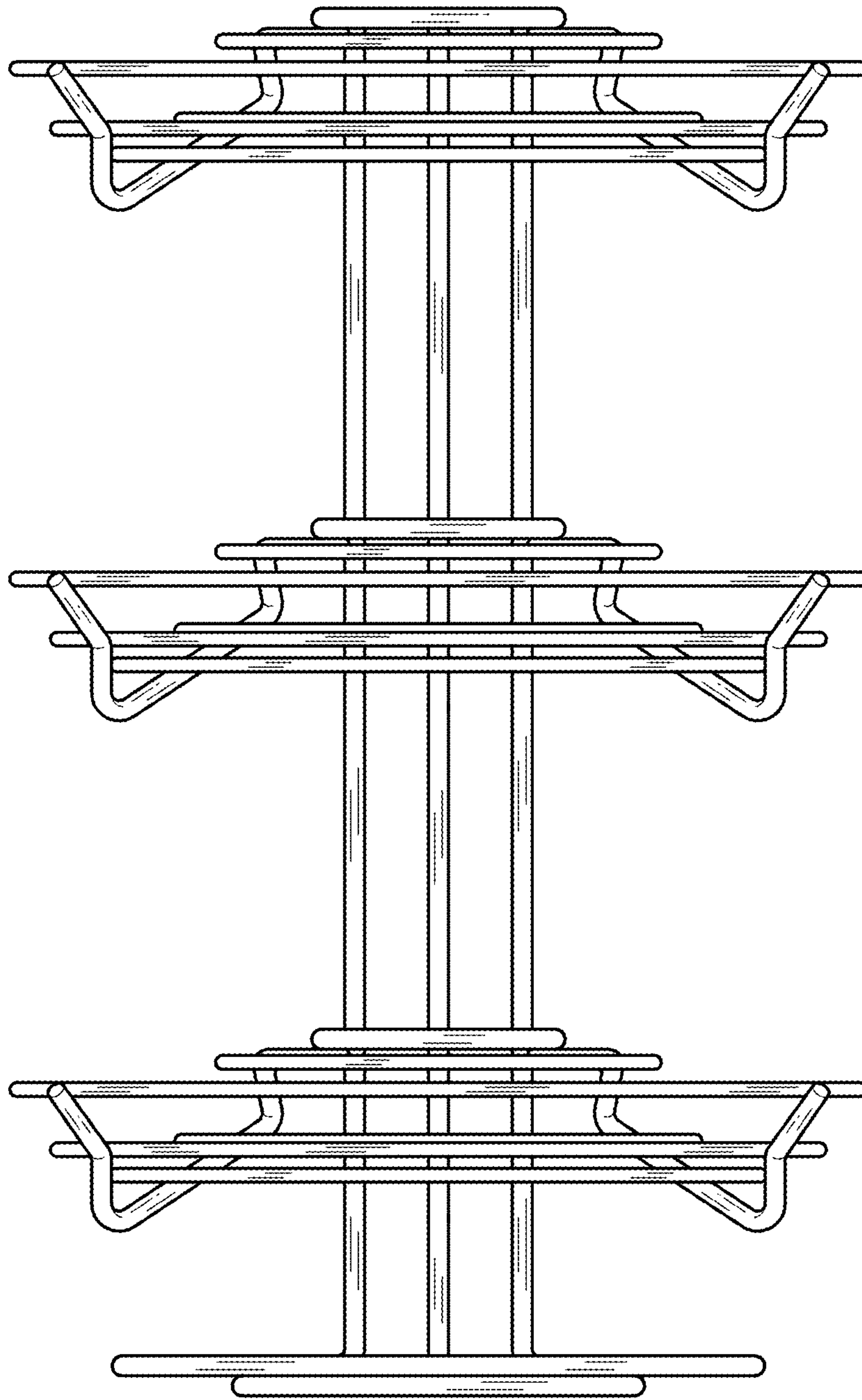


FIG.3

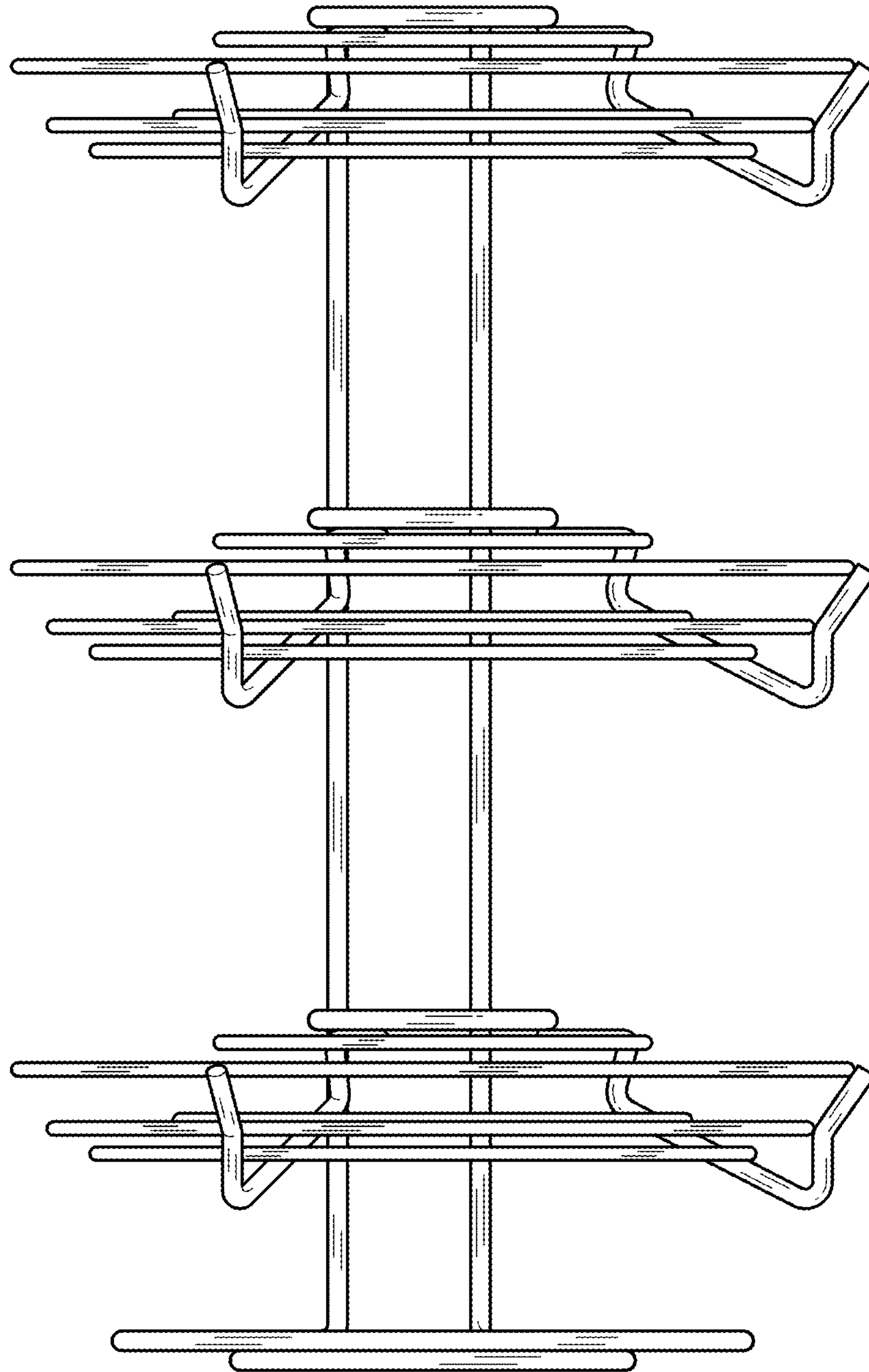


FIG.4

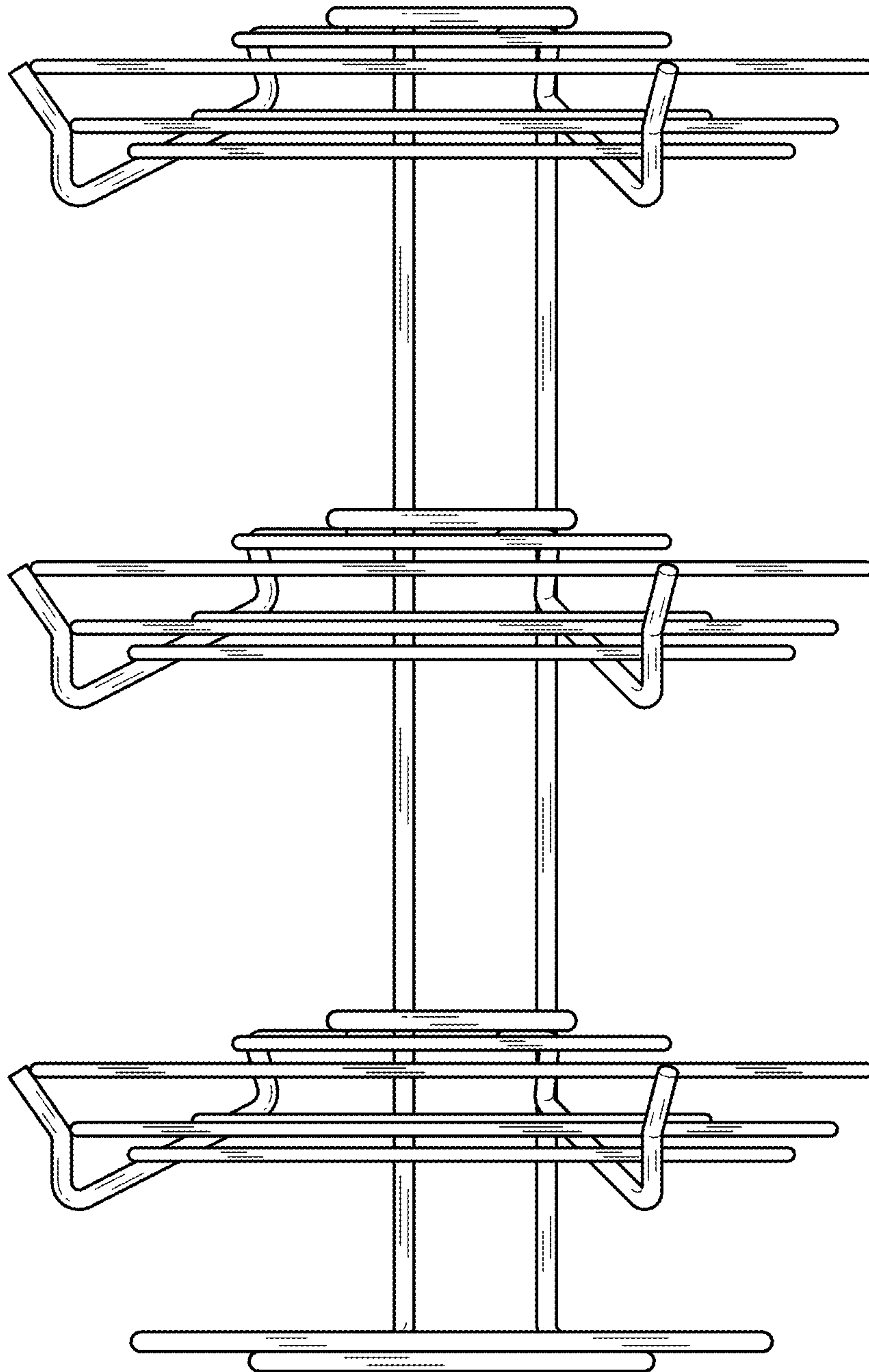


FIG.5

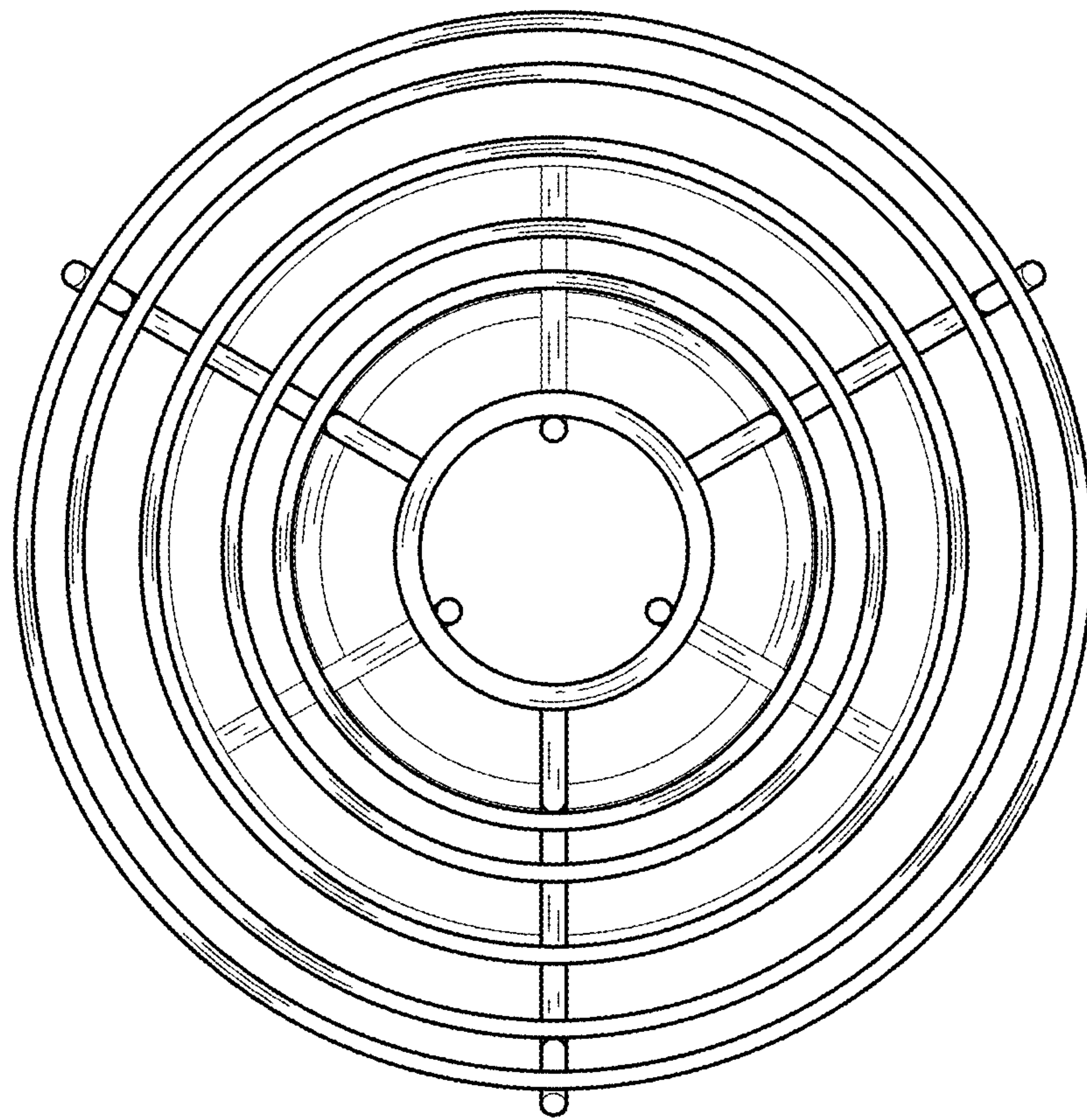


FIG.6

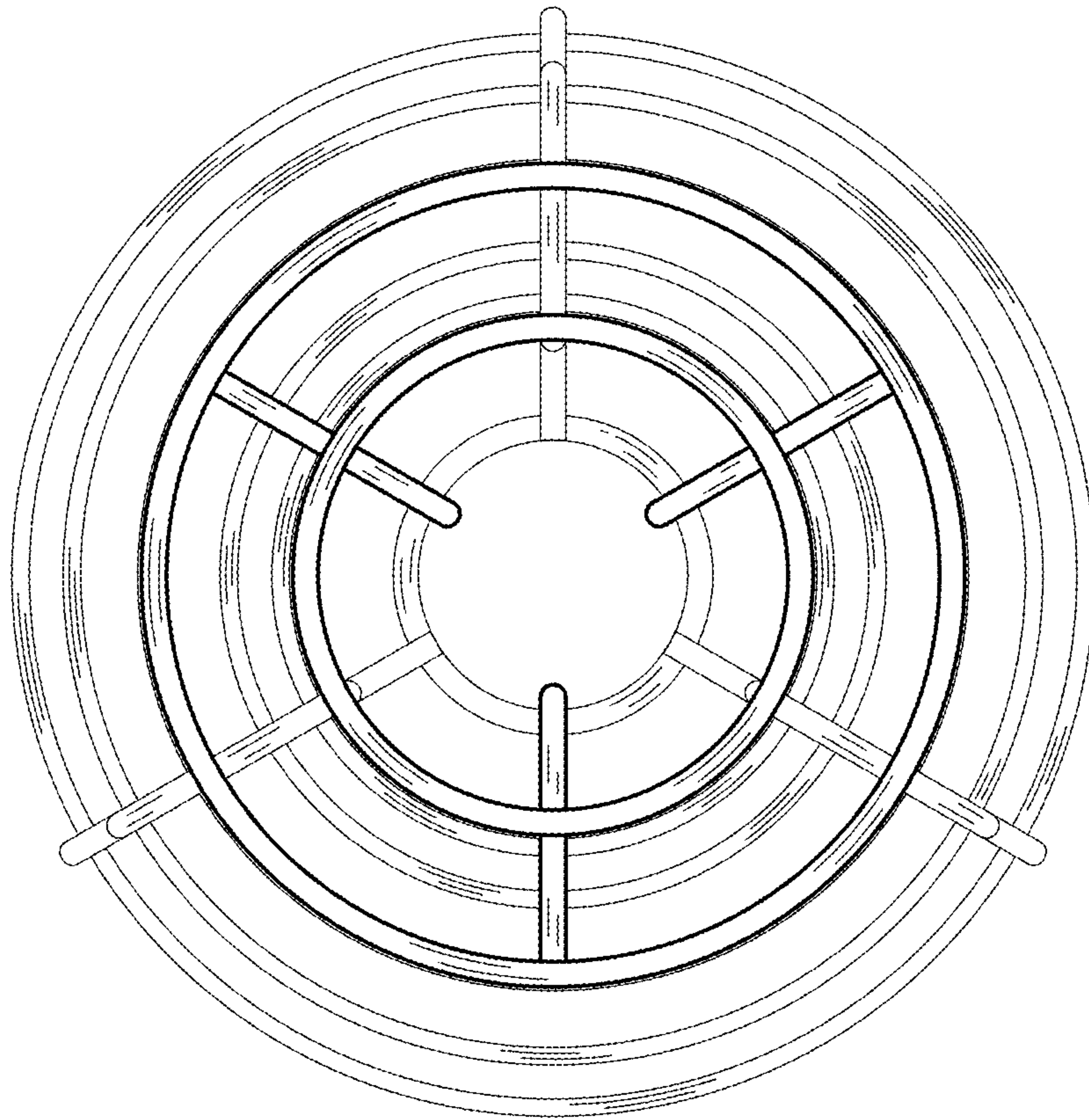


FIG.7

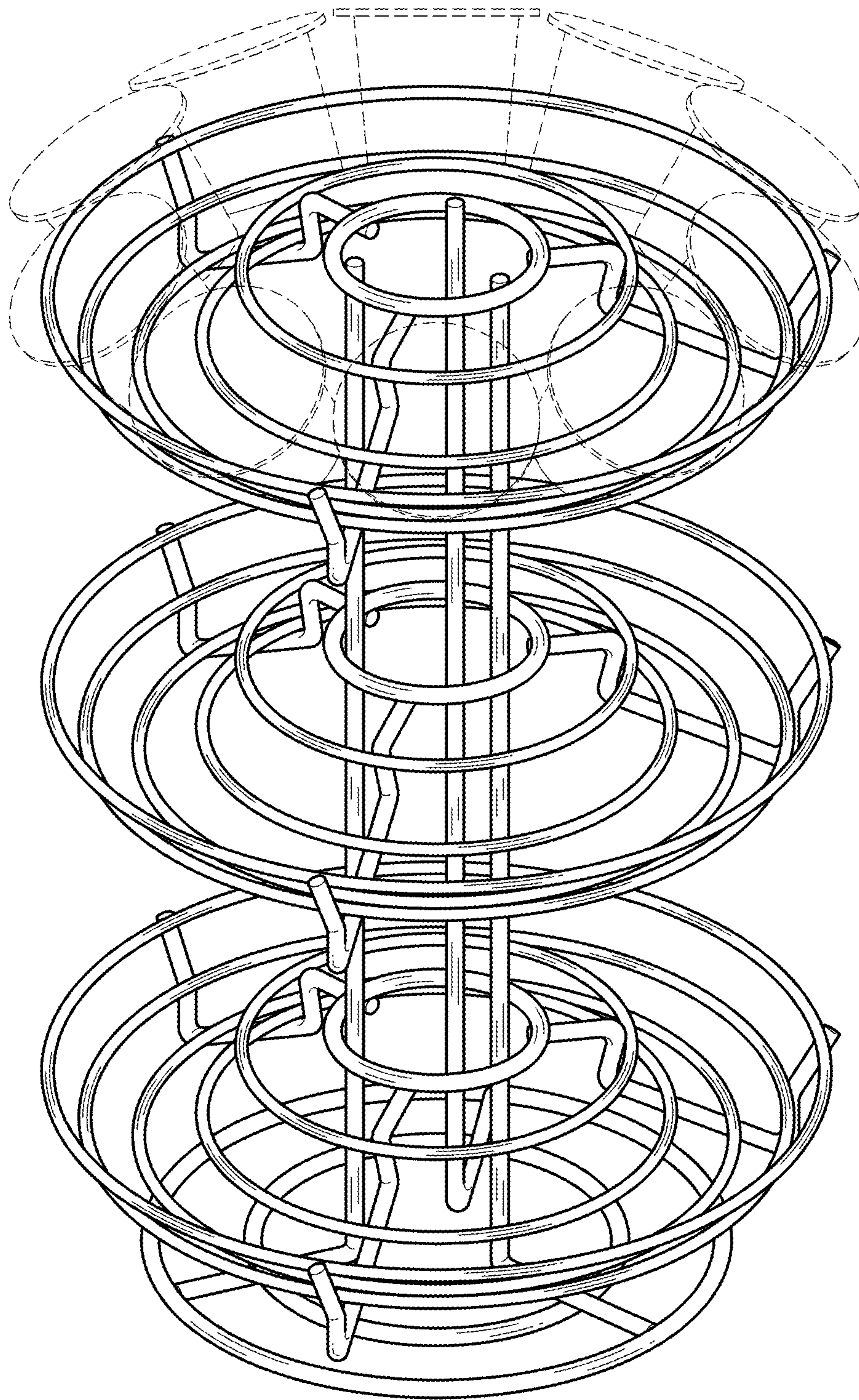


FIG.8