



US00D781659S

(12) **United States Design Patent**
Kellow, Jr.

(10) **Patent No.:** **US D781,659 S**
(45) **Date of Patent:** **** Mar. 21, 2017**

(54) **FOOD AND BEVERAGE PLATE**

3,955,672 A 5/1976 Brundage

4,346,070 A 8/1982 Johnson

4,461,396 A 7/1984 Harper

(Continued)

(71) Applicant: **Bethrick, Inc.**, Slinger, WI (US)

(72) Inventor: **Richard A. Kellow, Jr.**, Slinger, WI (US)

OTHER PUBLICATIONS

(73) Assignee: **Bethrick, Inc.**, Slinger, WI (US)

US Office Action, U.S. Appl. No. 14/324,637, 13 pages (Jul. 13, 2015).

(**) Term: **15 Years**

(Continued)

(21) Appl. No.: **29/541,758**

Primary Examiner — Wan Laymon

Assistant Examiner — Mark Booker

(22) Filed: **Oct. 7, 2015**

(74) *Attorney, Agent, or Firm* — Foley & Lardner LLP

Related U.S. Application Data

(60) Division of application No. 29/527,145, filed on May 15, 2015, now Pat. No. Des. 750,939, which is a continuation-in-part of application No. 29/485,016, filed on Mar. 14, 2014, now Pat. No. Des. 742,698, which is a continuation-in-part of application No. 29/468,184, filed on Sep. 26, 2013, now Pat. No. Des. 704,512.

(57) **CLAIM**

I claim the ornamental design for a food and beverage plate, as shown and described.

(51) **LOC (10) Cl.** **07-01**

(52) **U.S. Cl.**
USPC **D7/557; D7/553.8**

(58) **Field of Classification Search**
USPC D7/557, 213, 550.1, 553.1–553.6,
D7/553.7–553.8, 549, 554.2, 396.1;
D9/499, 739, 759; 206/557, 562–564,
206/784, 814; 220/557, 561; 426/132,
426/143

CPC A47G 19/065; A47G 19/00; A47G 19/02;
B65D 1/36; B65D 81/00

See application file for complete search history.

DESCRIPTION

FIG. 1 is a front perspective view from above of the claimed design including a beverage container as unclaimed background;

FIG. 2 is a front perspective view of the claimed design of FIG. 1;

FIG. 3 is a bottom perspective view of the claimed design of FIG. 1;

FIG. 4 is a top view of the claimed design of FIG. 1;

FIG. 5 is a bottom view of the claimed design of FIG. 1;

FIG. 6 is a front view of the claimed design of FIG. 1, wherein the left, right, and rear views are identical to the front view; and,

FIG. 7 is a section view of the claimed design along line 7-7 of FIG. 5.

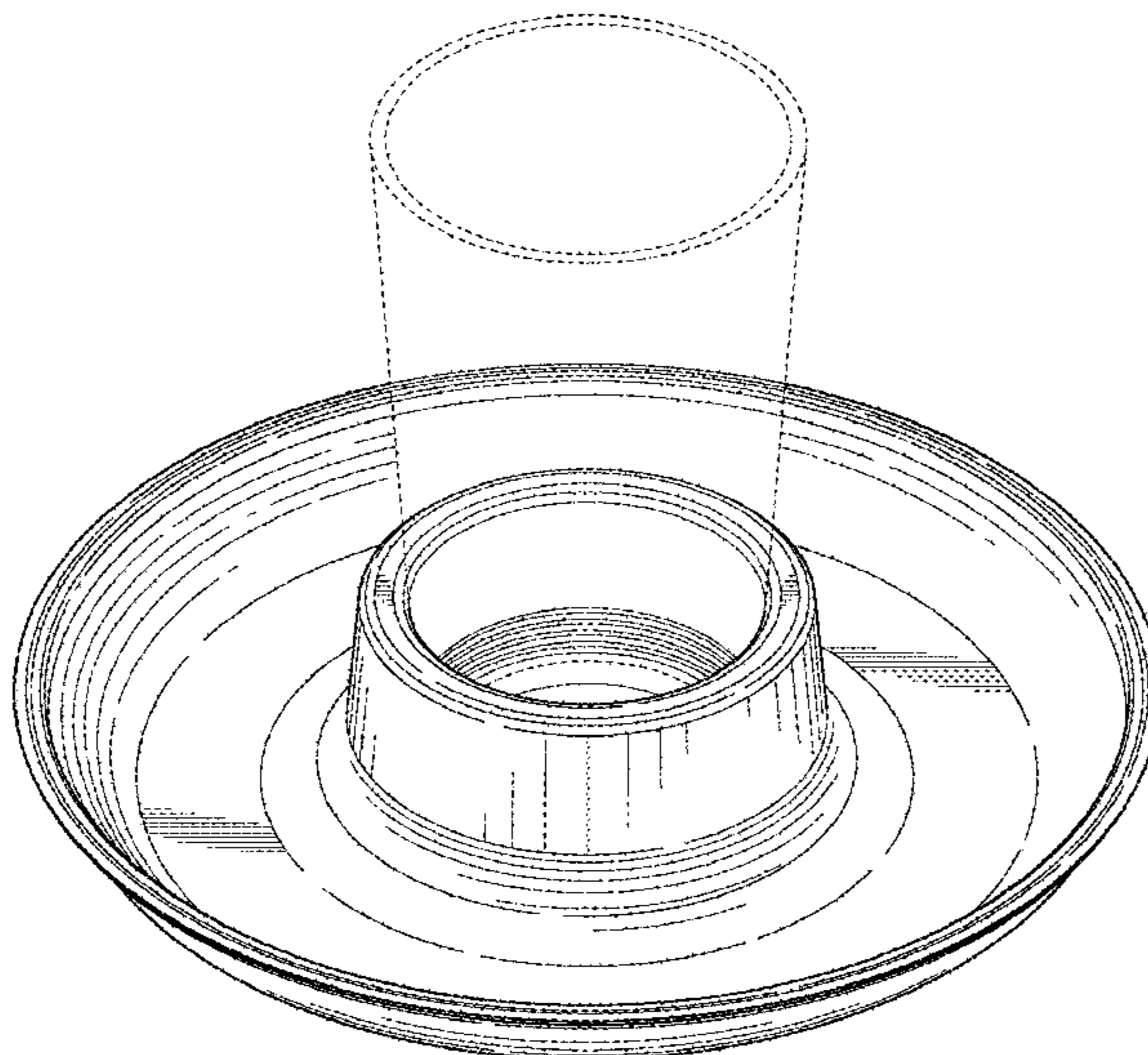
The broken lines shown in the figures represent portions of article that form no part of the claimed design.

(56) **References Cited**

U.S. PATENT DOCUMENTS

2,427,697 A 9/1947 Weidler
D190,668 S * 6/1961 Bliss D7/557

1 Claim, 6 Drawing Sheets



(56)

References Cited

U.S. PATENT DOCUMENTS

D286,250 S 10/1986 Prescott
 D303,194 S 9/1989 Darby et al.
 D304,658 S 11/1989 Mattei
 4,938,373 A 7/1990 McKee
 5,058,737 A 10/1991 Patterson et al.
 D331,860 S 12/1992 Stanfield
 5,184,750 A 2/1993 Moller
 5,184,751 A 2/1993 Middleton
 5,207,743 A 5/1993 Costarella et al.
 5,249,700 A 10/1993 Dumke
 D342,190 S 12/1993 Devitt
 D356,010 S 3/1995 McEntee
 D360,112 S 7/1995 McEntee
 5,441,164 A 8/1995 Beck et al.
 5,551,593 A 9/1996 Wiens
 5,695,052 A 12/1997 Damato
 D398,481 S 9/1998 Brown et al.
 5,803,305 A 9/1998 Perlis et al.
 D404,612 S 1/1999 Blazeovich
 5,960,982 A 10/1999 Perlis et al.
 6,062,418 A 5/2000 Rathjen
 6,129,235 A 10/2000 Creske
 D444,676 S 7/2001 Murphy
 D453,308 S 2/2002 McCauley
 6,516,747 B1 2/2003 Willinger
 6,550,630 B1 4/2003 Krupa
 6,691,890 B1 2/2004 Persson
 D502,058 S 2/2005 Stilz
 D509,994 S 9/2005 Hadland
 D511,273 S 11/2005 Hadeler
 D516,867 S 3/2006 Martin et al.
 D523,185 S 6/2006 Oliphant
 D526,536 S 8/2006 Littlejohn et al.
 D527,224 S 8/2006 Roth et al.
 D527,952 S 9/2006 Roth et al.
 D527,954 S * 9/2006 Roth D7/557
 D560,044 S 1/2008 Roes
 D568,112 S 5/2008 Epstein

D574,180 S 8/2008 Broom
 D576,448 S 9/2008 Harris
 D579,274 S 10/2008 Bizzell
 D582,102 S 12/2008 Roes
 D592,017 S 5/2009 Bizzell
 D593,364 S 6/2009 Harris
 D597,261 S 7/2009 Dye et al.
 D623,806 S 9/2010 Modi et al.
 7,992,740 B2 8/2011 Kinchen
 D654,230 S 2/2012 Tedaldi et al.
 D682,037 S 5/2013 Cloutier
 D691,857 S 10/2013 Muspratt-Williams et al.
 8,672,175 B2 3/2014 Farmer
 D704,512 S 5/2014 Kellow, Jr.
 D716,003 S 10/2014 Brown
 9,060,628 B2 6/2015 Evans
 D742,698 S * 11/2015 Kellow, Jr. D7/553.8
 D750,939 S * 3/2016 Kellow, Jr. D7/557
 2003/0098310 A1 5/2003 McGee
 2008/0156811 A1 7/2008 Lu et al.
 2008/0173652 A1 7/2008 Chou
 2009/0194543 A1 8/2009 Farmer
 2014/0367392 A1 12/2014 McClinton
 2015/0008231 A1 1/2015 Kellow, Jr.
 2015/0150393 A1 * 6/2015 Avery A47G 19/065
 220/574
 2015/0216338 A1 * 8/2015 Shendelman A47G 19/065
 220/574
 2016/0120342 A1 * 5/2016 Petersburg A47G 19/065
 220/574

OTHER PUBLICATIONS

Notice of Allowance, U.S. Appl. No. 29/468,184, 7 pages (Jan. 28, 2014).
 US Notice of Allowance, U.S. Appl. No. 29/485,016, 10 pages (Jul. 6, 2015).
 US Office Action, U.S. Appl. No. 29/527,145, 6 pages (Aug. 26, 2015).

* cited by examiner

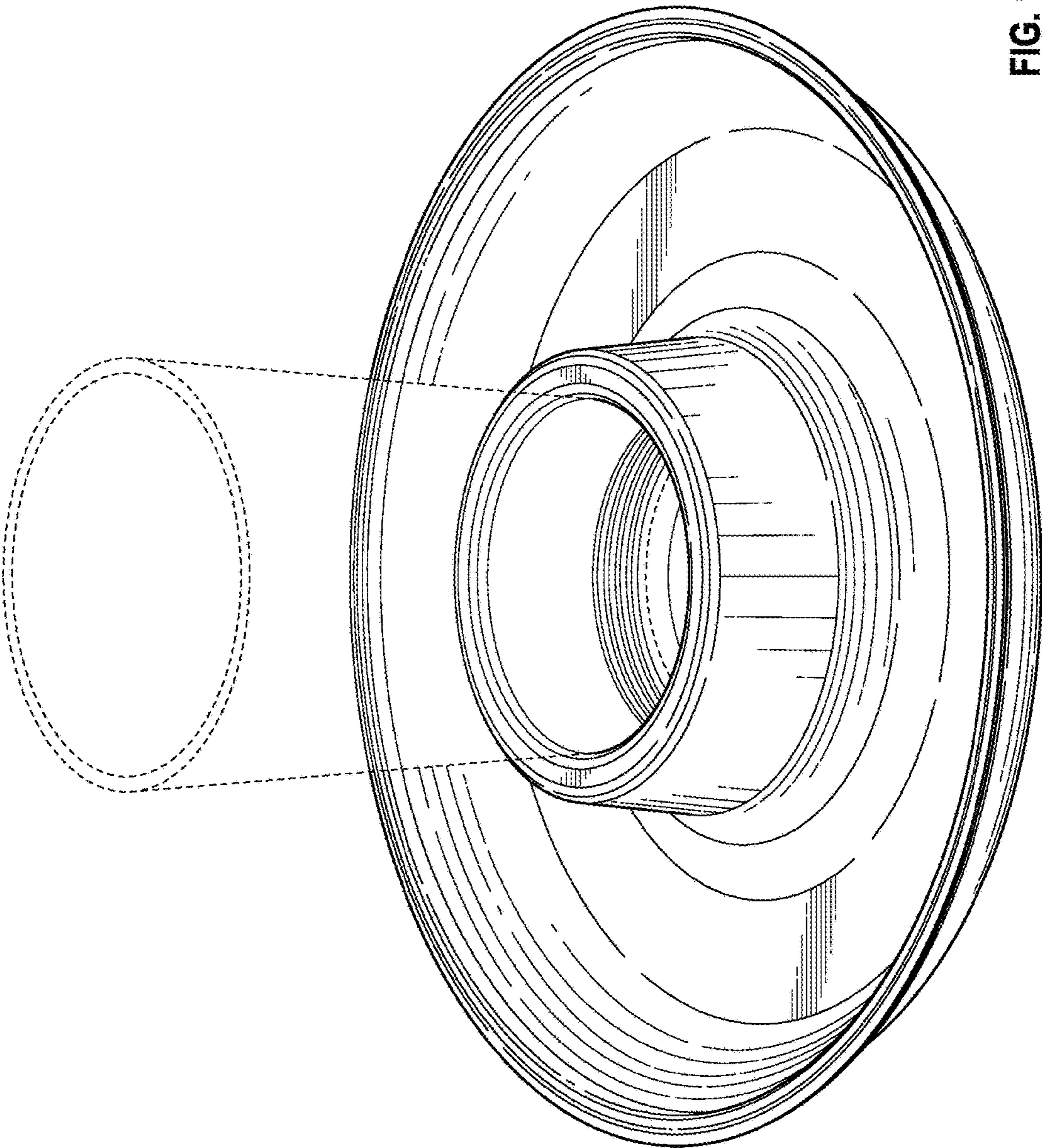


FIG. 1

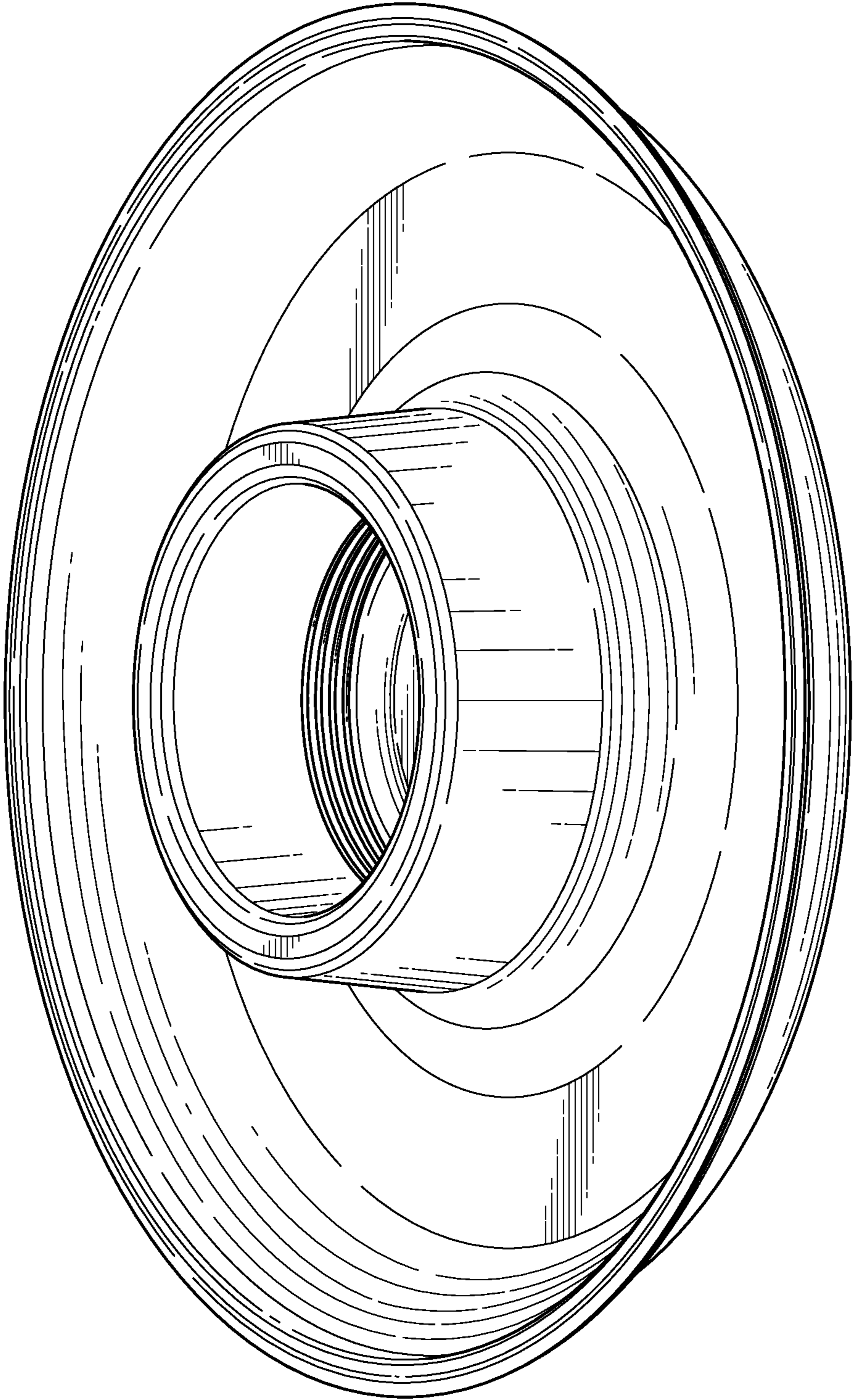


FIG. 2

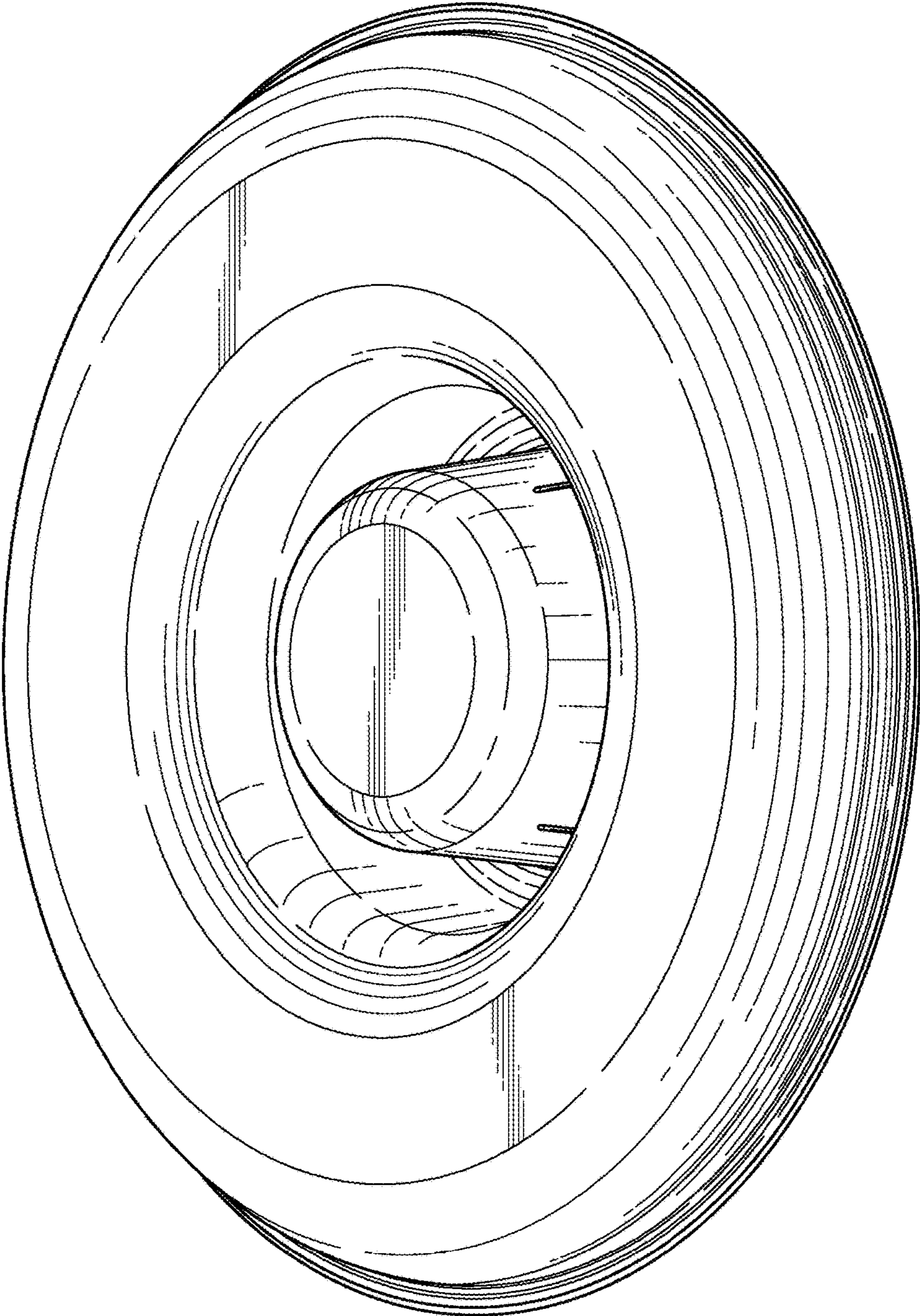


FIG. 3

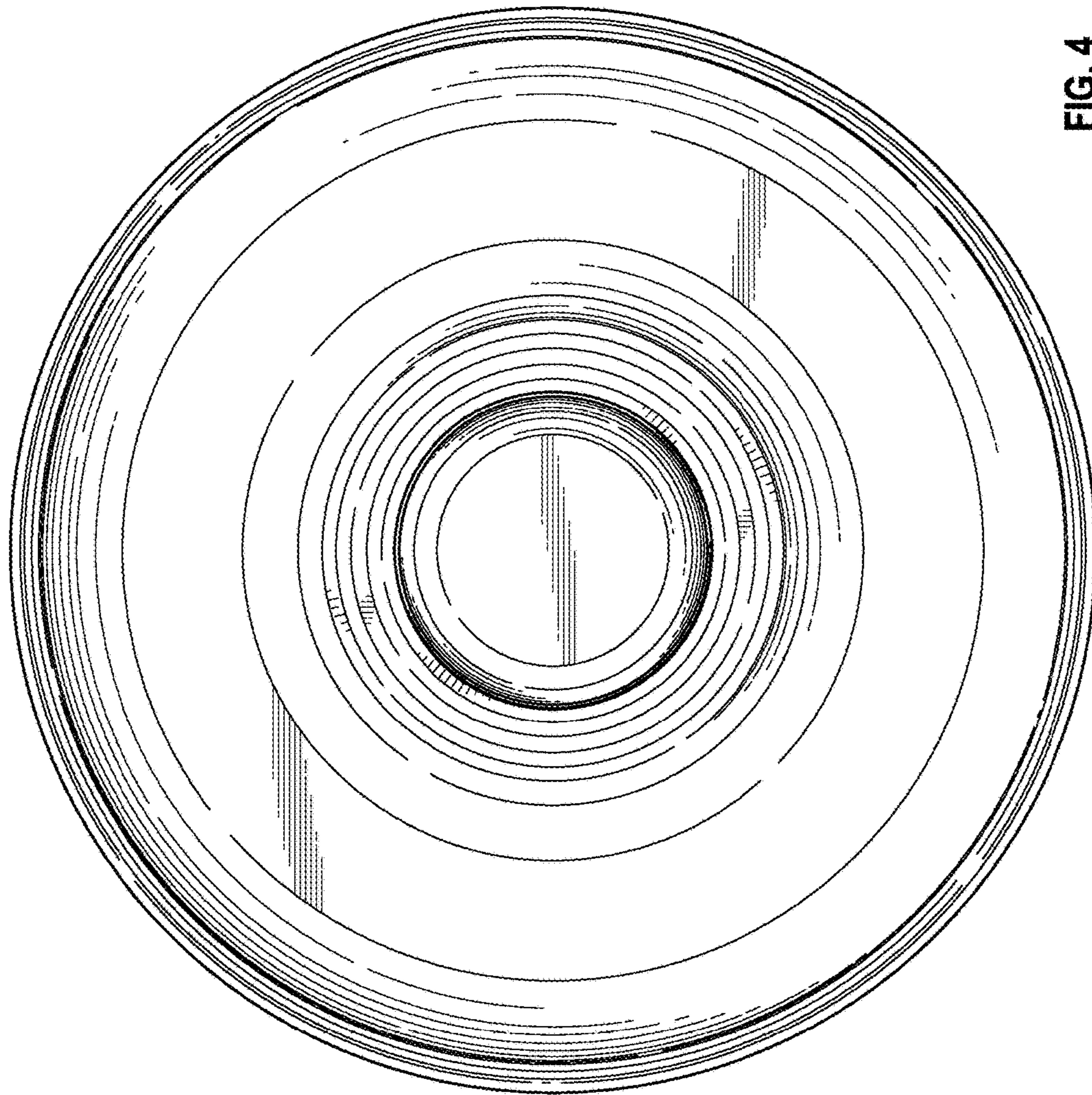


FIG. 4

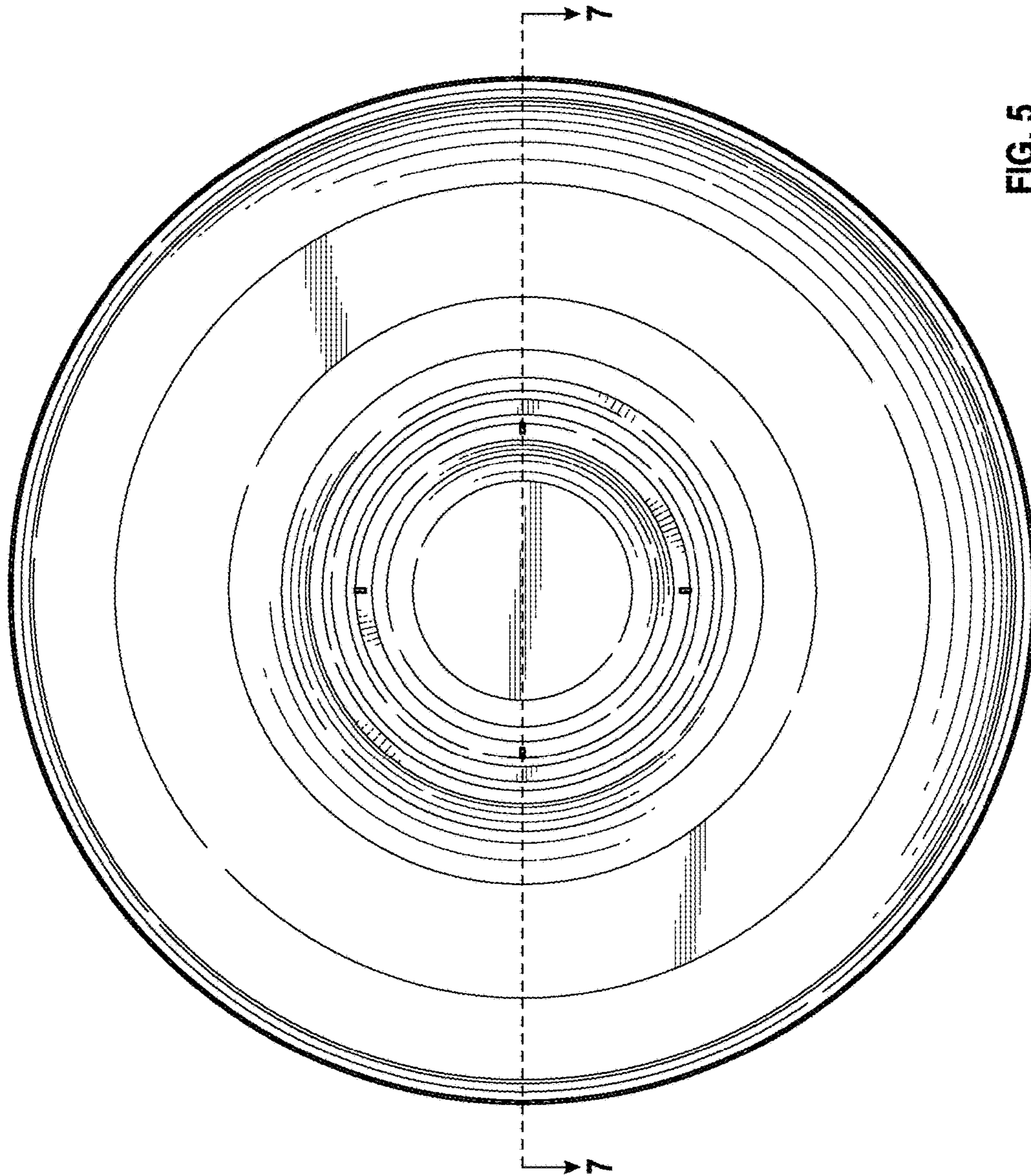


FIG. 5

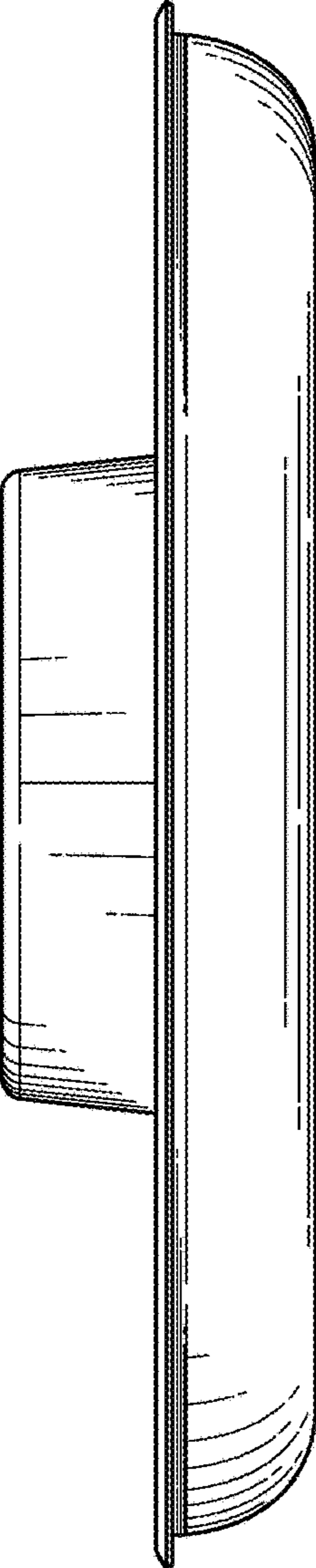


FIG. 6

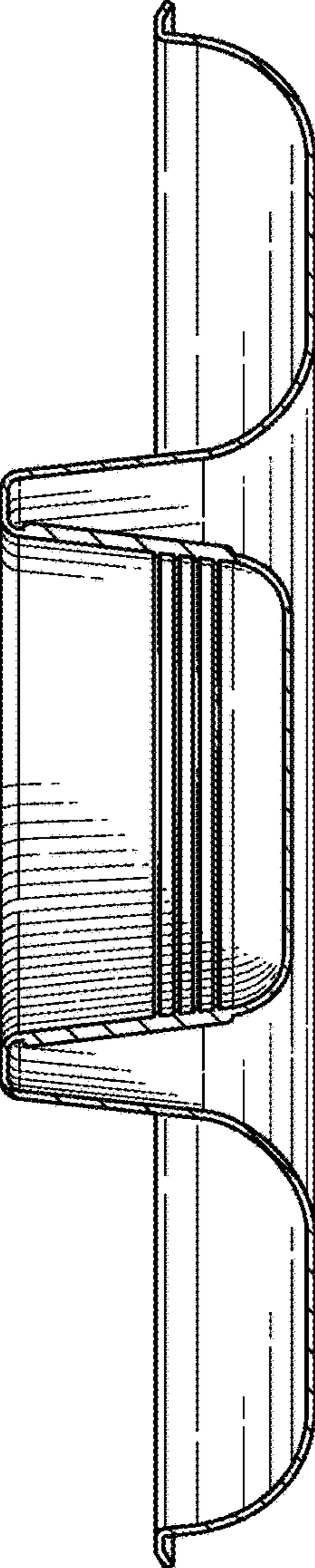


FIG. 7