



US00D781657S

(12) **United States Design Patent**  
**Welsch et al.**

(10) **Patent No.:** **US D781,657 S**  
(45) **Date of Patent:** **\*\* Mar. 21, 2017**

(54) **WATER CONTAINER**

(71) Applicant: **JIBU, L3C**, Charlotte, NC (US)

(72) Inventors: **Galen Welsch**, Charlotte, NC (US);  
**Matthew Gross**, Boulder, CO (US);  
**Randy Welsch**, Colorado Springs, CO (US)

(73) Assignee: **Jibu, L3C**, Colorado Springs, CO (US)

(\*\*) Term: **15 Years**

(21) Appl. No.: **29/529,530**

(22) Filed: **Jun. 8, 2015**

(51) **LOC (10) Cl.** ..... **07-01**

(52) **U.S. Cl.**

USPC ..... **D7/536**; D7/533; D7/532; D9/531

(58) **Field of Classification Search**

USPC ..... D7/509, 510, 511, 523, 529, 532, 533,  
D7/535, 536, 300, 300.1, 608, 629, 387,  
D7/304-315, 534, 396.1, 524, 537, 572,  
D7/392.1, 391; D9/503, 504, 531, 530,  
D9/566, 544, 549, 550, 553, 554, 516,  
D9/537, 454, 434; 215/228, 229;  
220/592.2, 592.16, 592.17; D23/202,  
D23/207; 99/281, 305, 307; 222/146.6;  
141/247  
CPC .... A47G 19/22; A47G 19/2227; A47G 19/02;  
A47G 19/025; A47G 19/2288; Y10S  
220/903

See application file for complete search history.

(56) **References Cited**

**U.S. PATENT DOCUMENTS**

D466,816 S \* 12/2002 Leray ..... D9/524  
D498,420 S \* 11/2004 Cadotte ..... D9/524  
D514,940 S \* 2/2006 Darr ..... D9/523  
D542,099 S \* 5/2007 George ..... D7/615  
D694,643 S \* 12/2013 Boisvert ..... D9/454

D699,581 S \* 2/2014 Gieske ..... D9/516  
D709,733 S \* 7/2014 Rinderer ..... D7/603  
D764,295 S \* 8/2016 Gieske ..... D9/527  
D769,123 S \* 10/2016 Hegarty ..... D9/527

\* cited by examiner

*Primary Examiner* — Marianne Pandozzi

*Assistant Examiner* — Jae Liang

(74) *Attorney, Agent, or Firm* — Martensen IP

(57) **CLAIM**

The ornamental design for a water container, as shown and described.

**DESCRIPTION**

The present application is related to commonly assigned U.S. patent application Ser. No. 29/529,529 filed Jun. 8.

FIG. 1 is a top front perspective view of a water container showing our new design;

FIG. 2 is a front view thereof;

FIG. 3 is a left side view thereof;

FIG. 4 is a right side view thereof;

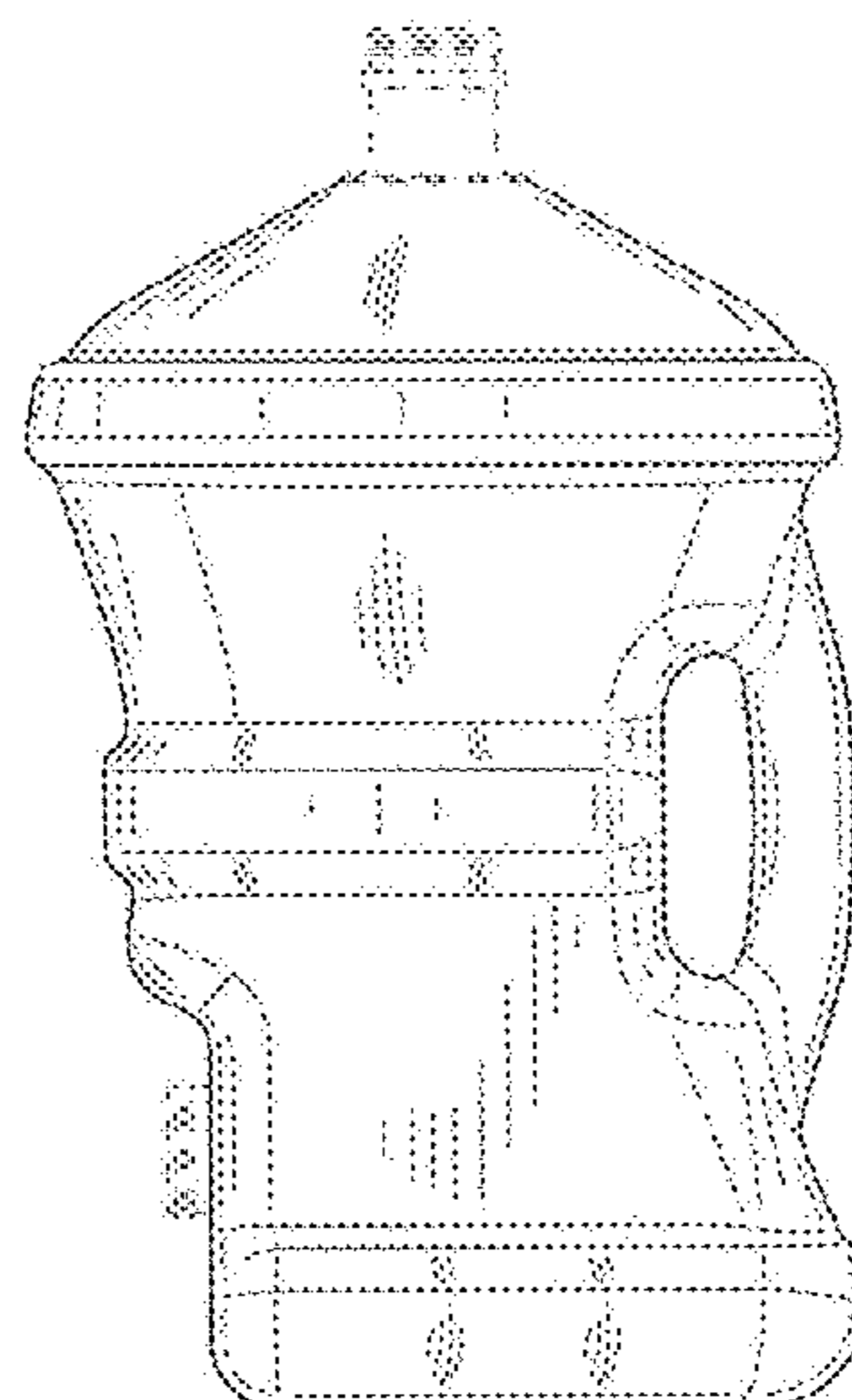
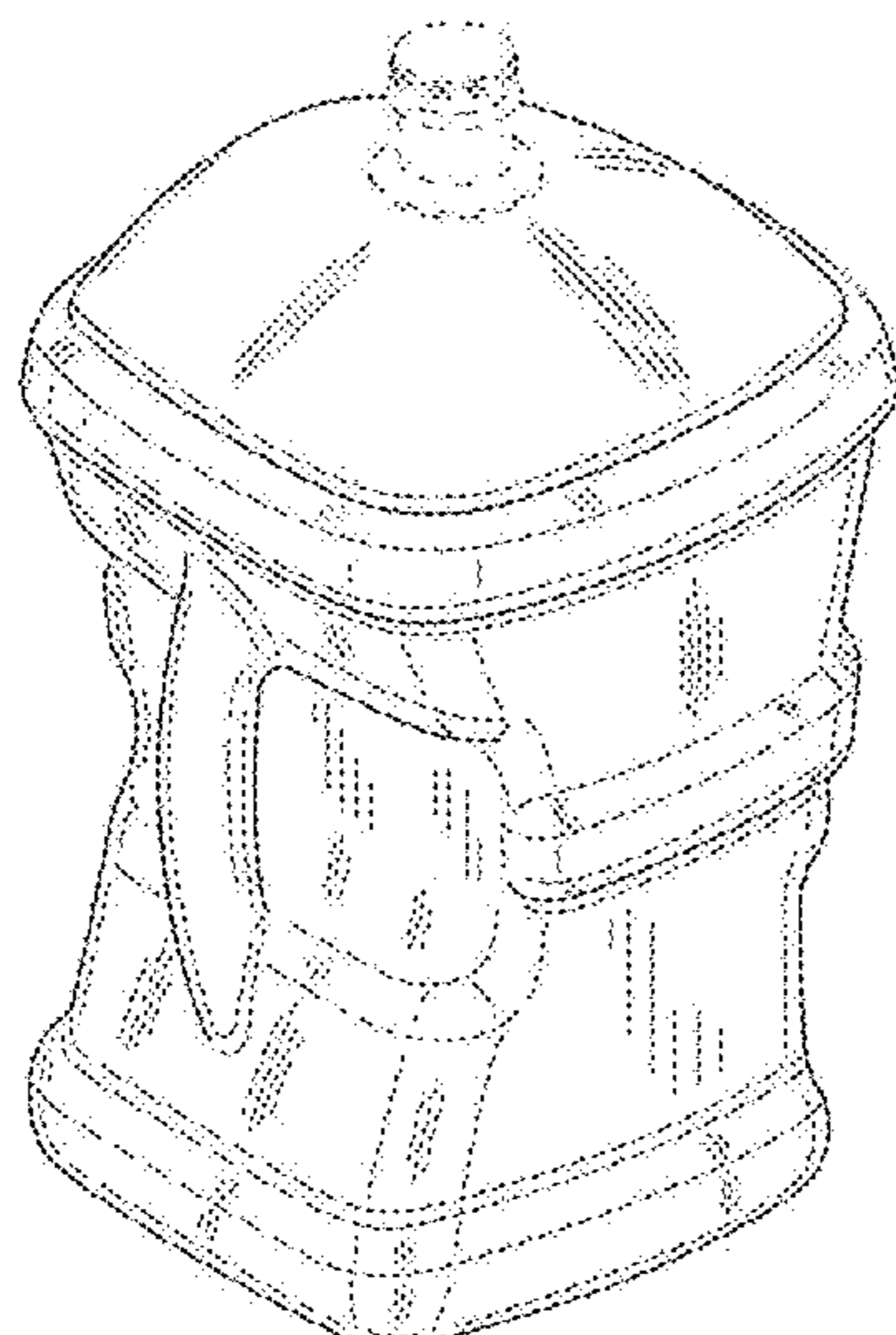
FIG. 5 is a rear view thereof;

FIG. 6 is a top view thereof; and,

FIG. 7 is a bottom view thereof.

The broken lines in the drawing depict portions of the water container that form no part of the claimed design.

**1 Claim, 6 Drawing Sheets**



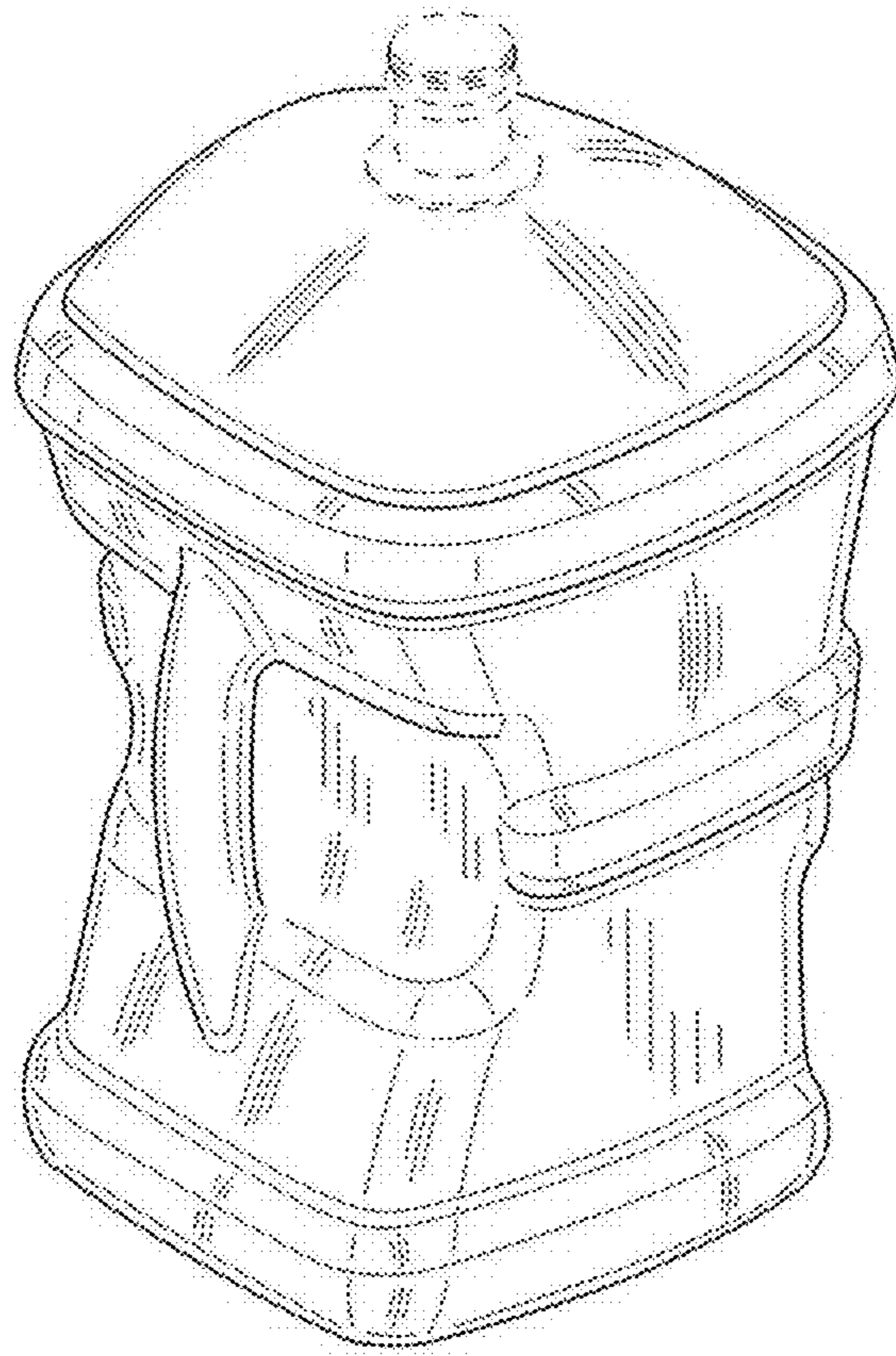


FIG. 1

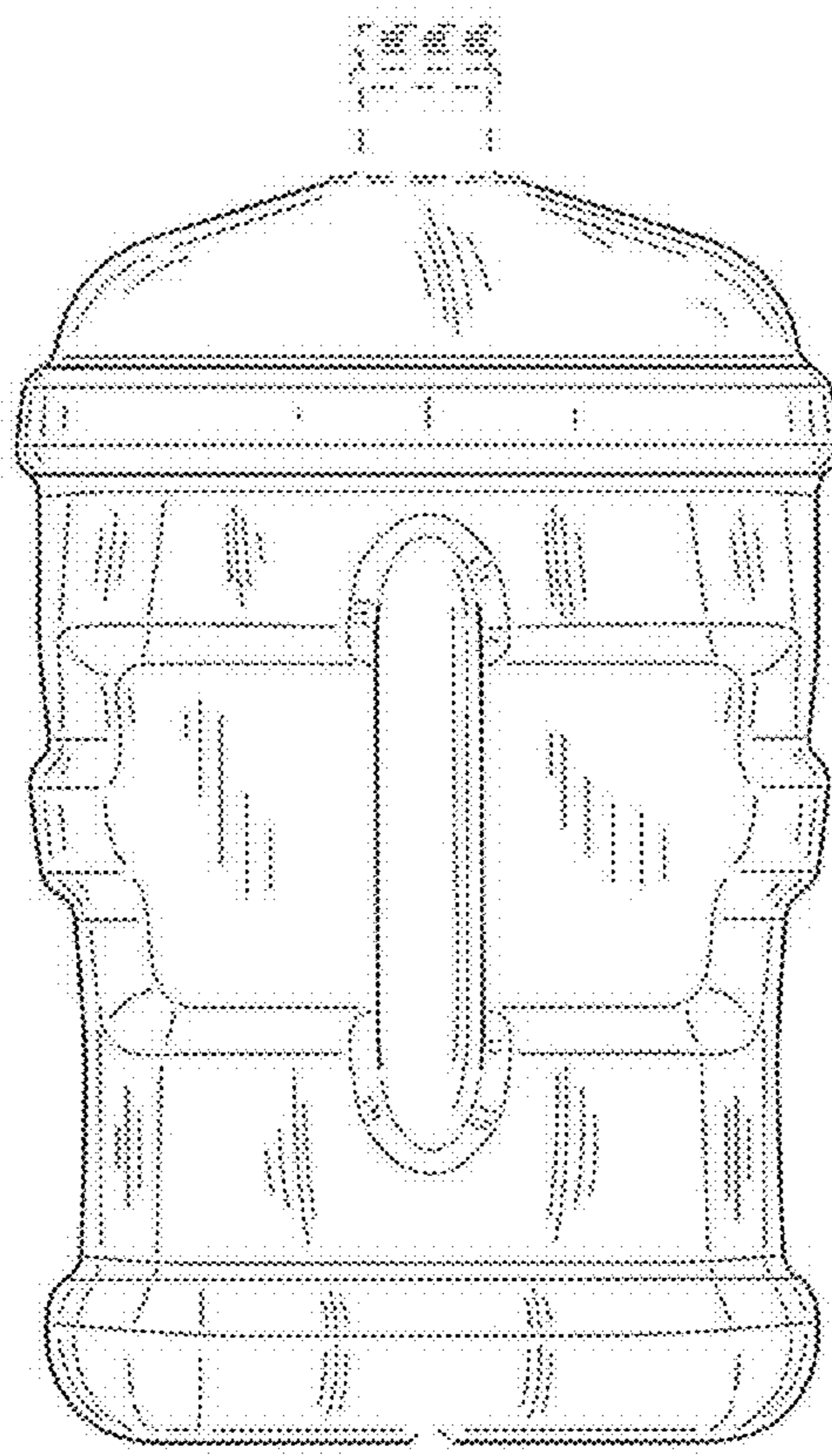


FIG. 2

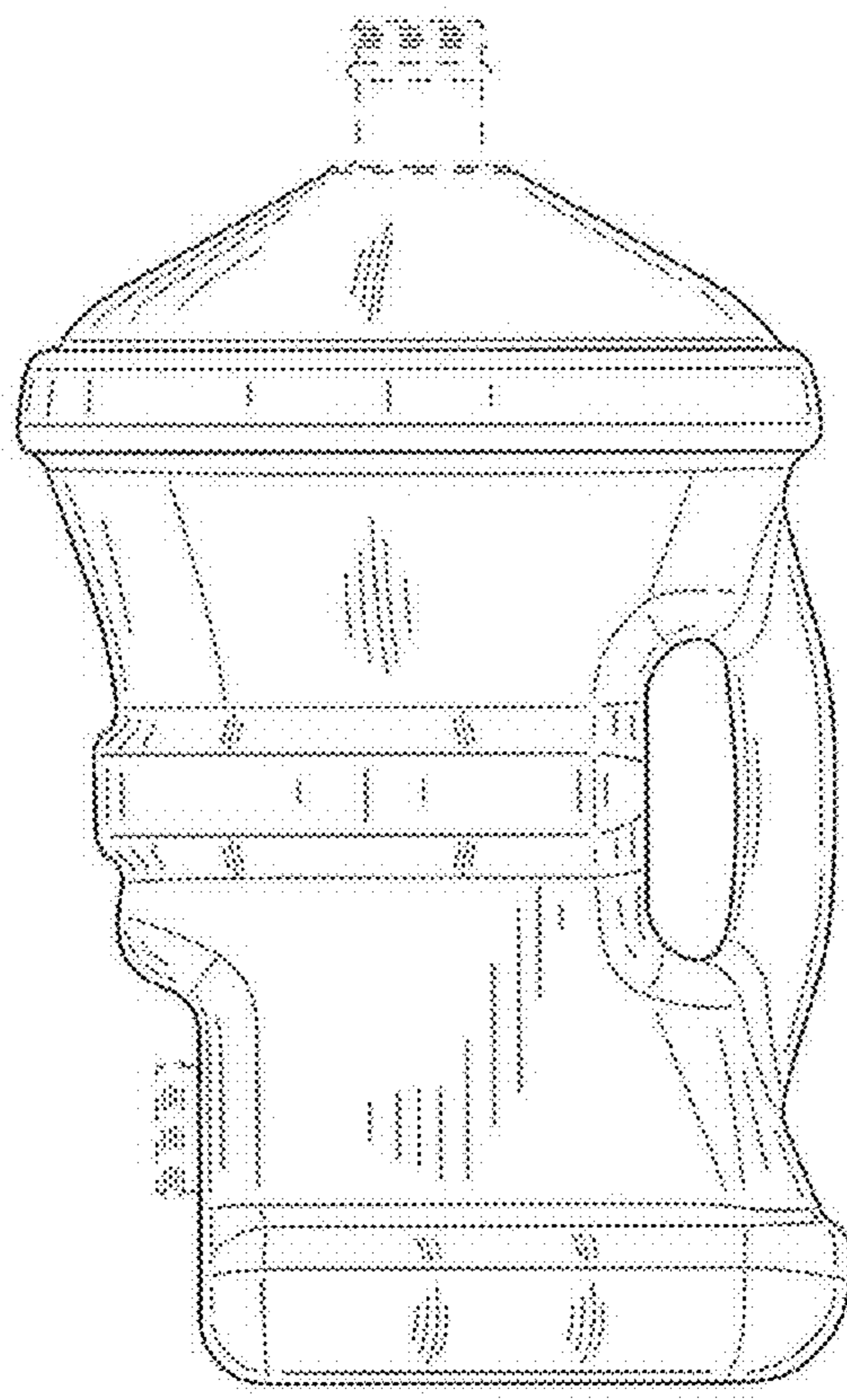


FIG.3

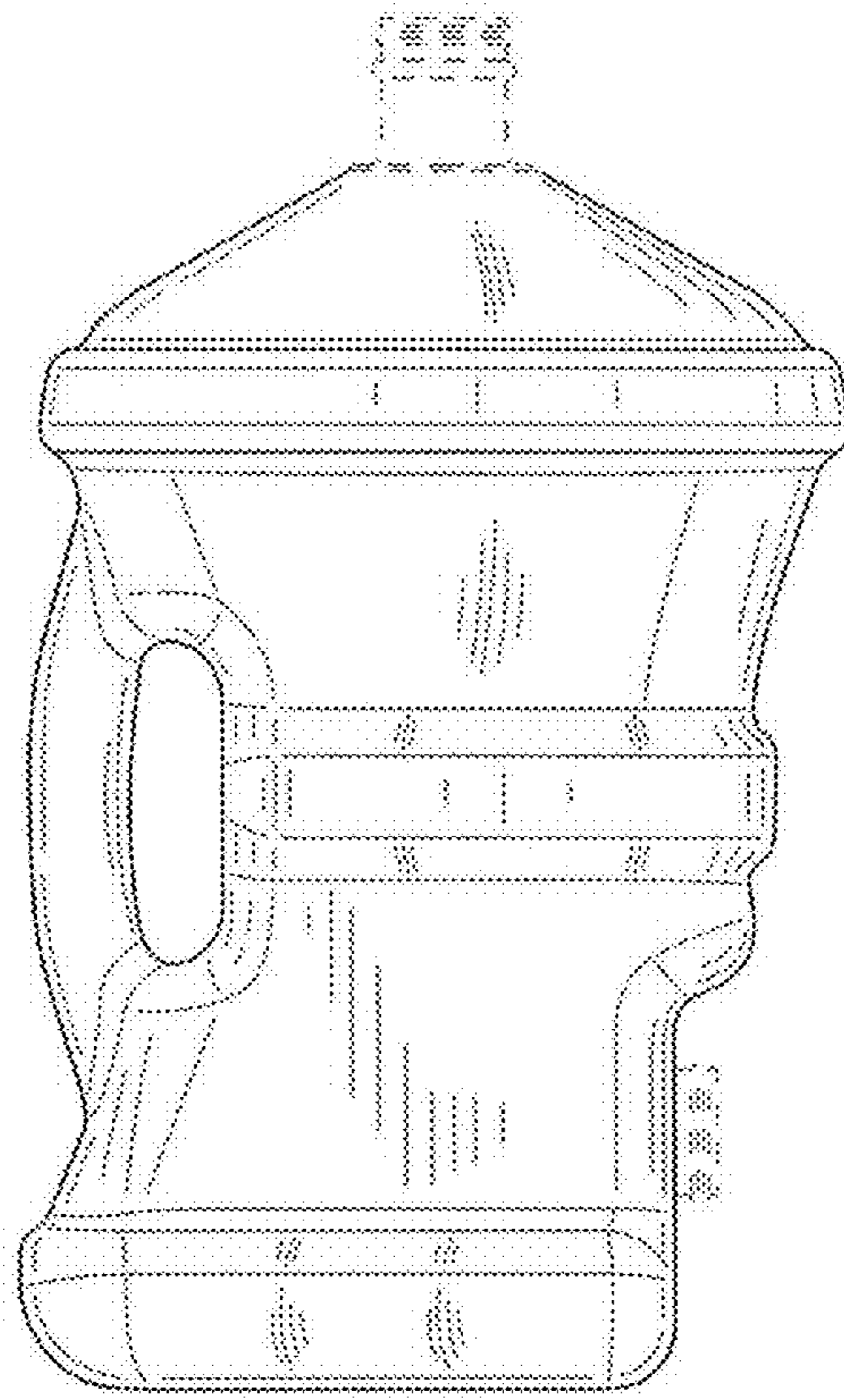


FIG.4

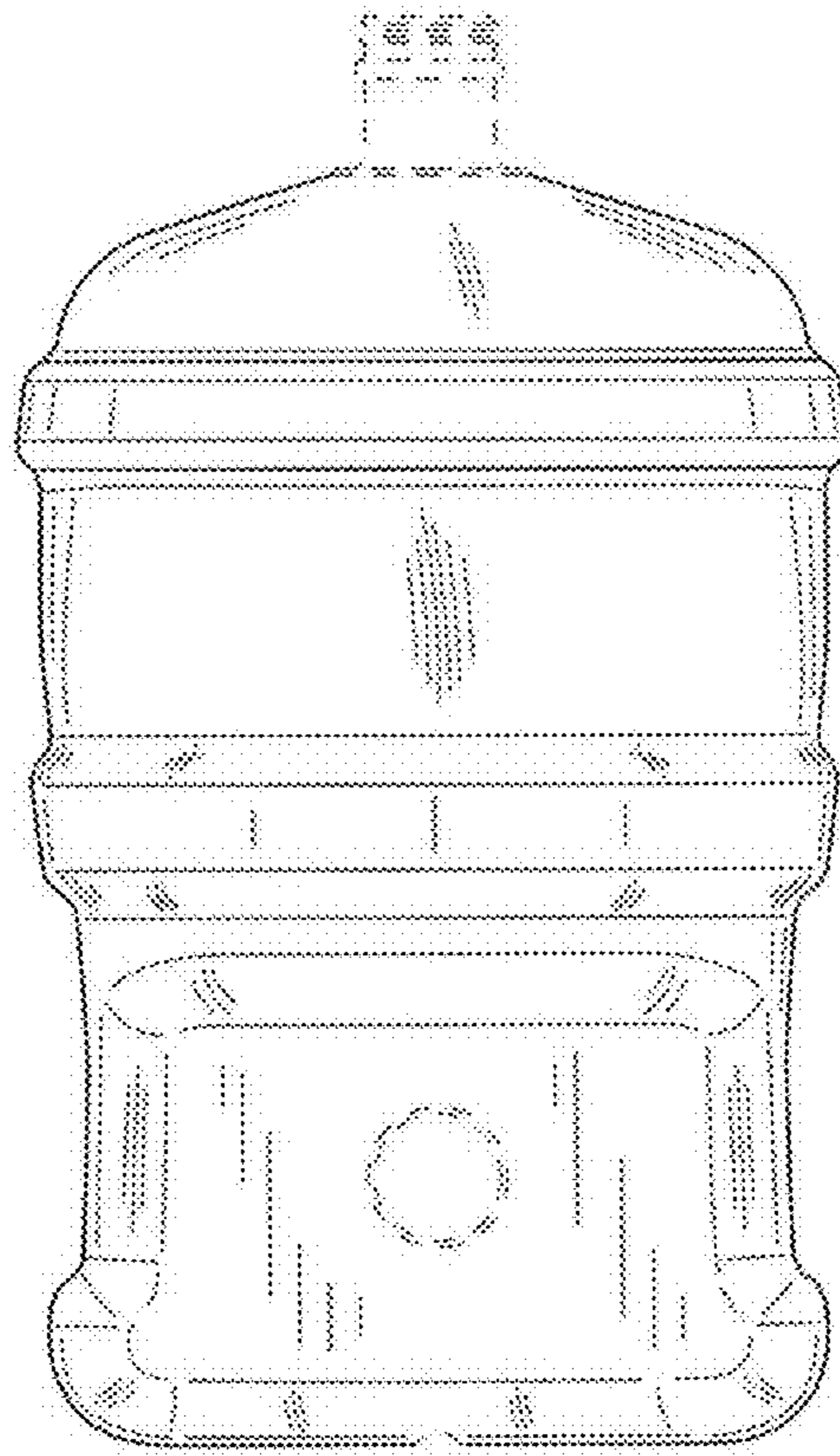


FIG.5

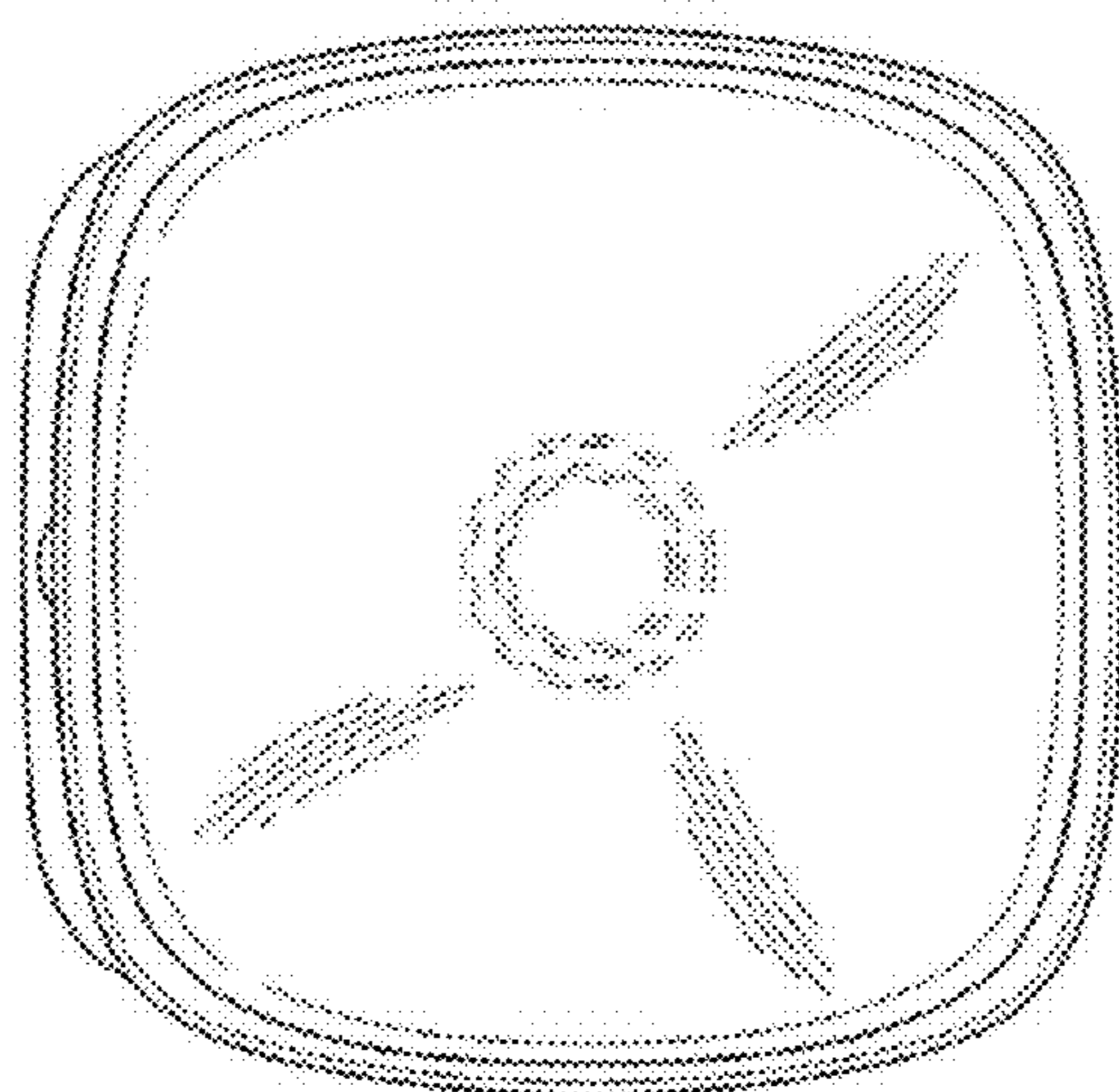


FIG. 6

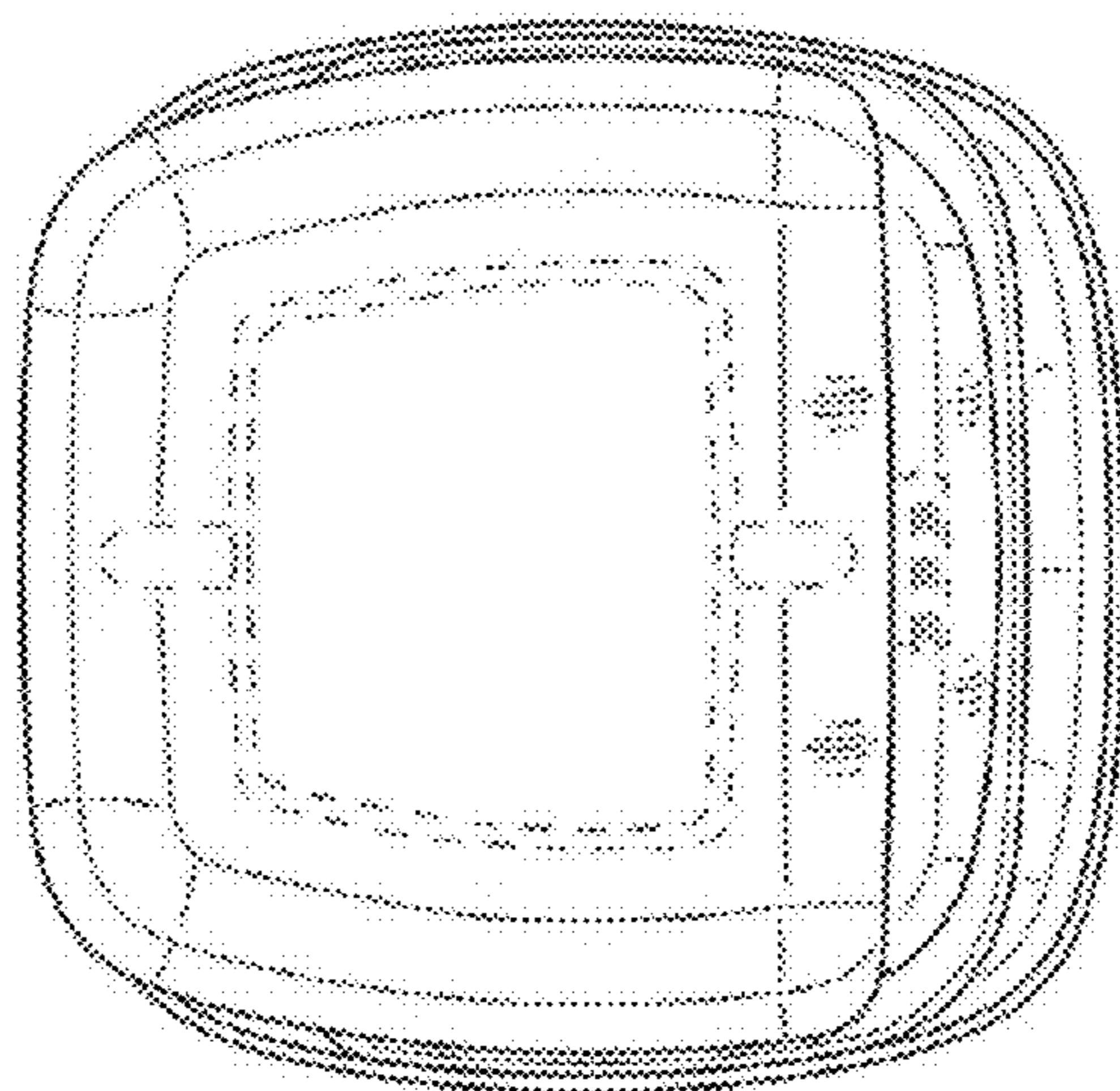


FIG. 7