



US00D781655S

(12) **United States Design Patent**
Koch et al.

(10) **Patent No.:** **US D781,655 S**

(45) **Date of Patent:** **** Mar. 21, 2017**

(54) **BEVERAGE DRINKING VESSEL**

(71) Applicant: **The Boston Beer Company**, Boston, MA (US)

(72) Inventors: **Charles J. Koch**, Newton, MA (US); **Peter D. Gladstone**, Arlington, MA (US); **Katie L. Piepiora**, Norwell, MA (US); **Jonathan D. London**, Wellesley, MA (US); **Robert P. Vail**, Winchester, MA (US); **Sandra P. Paterson**, Rockland, MA (US); **Sarah R. Gillis**, Milton, MA (US)

(73) Assignee: **The Boston Beer Company**, Boston, MA (US)

(**) Term: **15 Years**

(21) Appl. No.: **29/536,169**

(22) Filed: **Aug. 13, 2015**

(51) **LOC (10) Cl.** **07-01**

(52) **U.S. Cl.**
USPC **D7/523; D7/532; D7/509**

(58) **Field of Classification Search**
USPC **D7/507, 509, 523, 524, 525, 526, 527, D7/528, 530, 531, 532, 533, 536, 537,**
(Continued)

(56) **References Cited**

U.S. PATENT DOCUMENTS

D72,188 S 3/1927 Ratner
D90,928 S * 10/1933 Rosenmerkle D7/524
(Continued)

OTHER PUBLICATIONS

[No Author Listed], Beer-Tower-Party. <http://beer-tower-party.com/wp-content/uploads/2014/03/classic-tulip-beer-glass-300x300> [last accessed Nov. 6, 2014].

(Continued)

Primary Examiner — Marianne Pandozzi

Assistant Examiner — Jae Liang

(74) *Attorney, Agent, or Firm* — Wolf, Greenfield & Sacks, P.C.

(57) **CLAIM**

The ornamental design for a beverage drinking vessel, as shown and described.

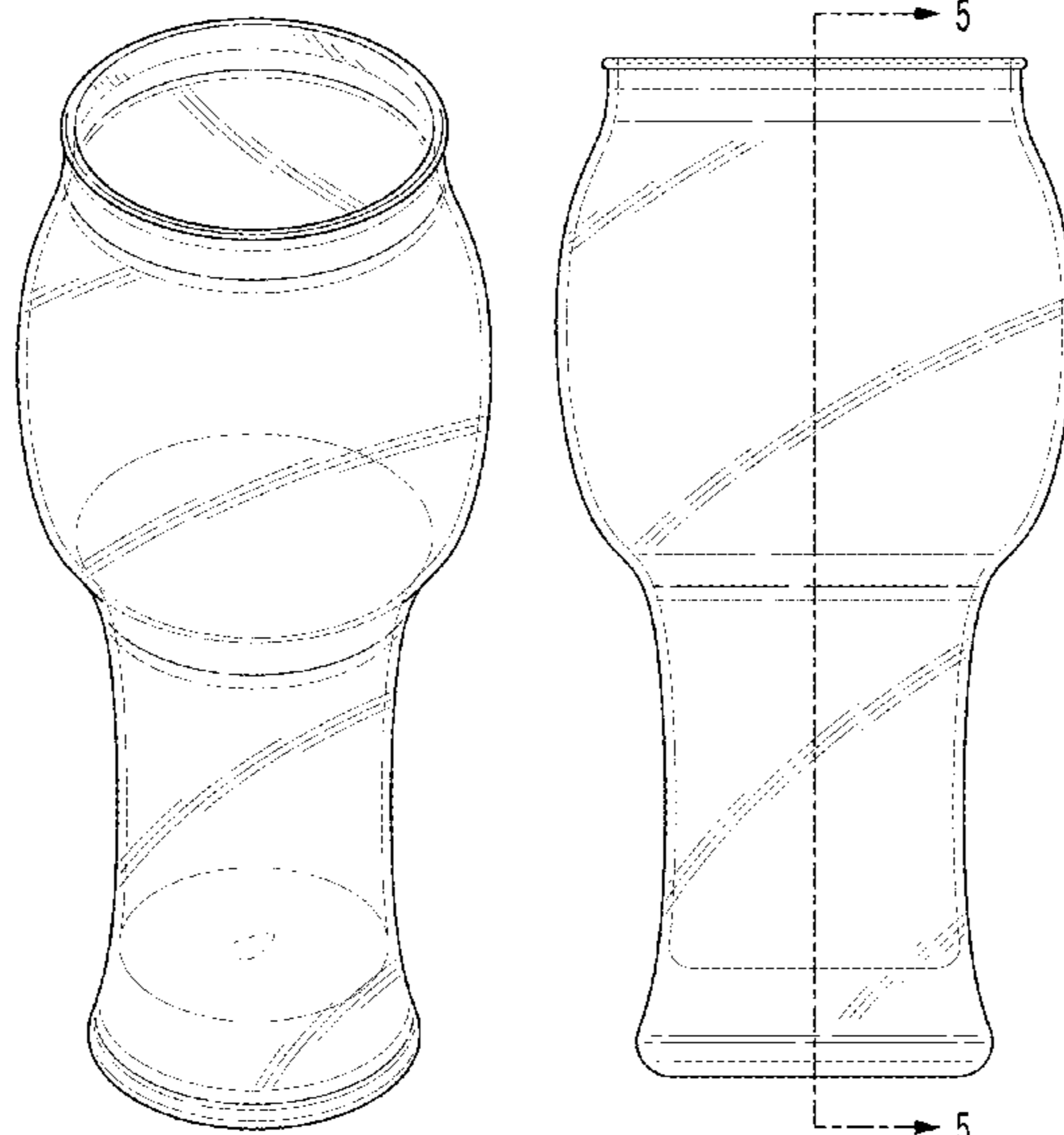
DESCRIPTION

FIG. 1 is a perspective view of a first embodiment of a beverage drinking vessel showing our new design; FIG. 2 is a front view thereof, the left side view and right side view being identical to the front view; FIG. 3 is a top view thereof; FIG. 4 is a bottom view thereof; and FIG. 5 is a cross-sectional view showing a section taken along line 5-5 of FIG. 2; FIG. 6 is a perspective view of a second embodiment of a beverage drinking vessel; FIG. 7 is a front view thereof, the left side view and right side view being identical to the front view; FIG. 8 is a top view thereof; FIG. 9 is a bottom view thereof; and, FIG. 10 a cross-sectional view showing a section taken along line 10-10 of FIG. 7.

The cross-sectional hatching shown in FIG. 5 indicates that the claimed beverage drinking vessel is transparent. The cross-sectional hatching shown in FIG. 10 indicates that the claimed beverage drinking vessel is opaque. Material, texture, color, surface finish and surface ornamentation form no part of the claimed design.

The broken lines in the drawing depict portions of the beverage drinking vessel that form no part of the claimed design.

1 Claim, 6 Drawing Sheets



(58) **Field of Classification Search**

USPC D7/503, 510, 514, 515, 512, 608;
 220/592.16, 502.17, 495.03, 740;
 D3/202; D30/130, 121; 206/307, 217,
 206/509; D9/424
 CPC A47G 19/22; A47G 19/2205; A47G
 19/2227; A47G 23/0233; A45F 3/20;
 B65D 1/265

See application file for complete search history.

D729,013 S * 5/2015 Riedel D7/524
 D731,855 S * 6/2015 Riedel D7/523
 D735,532 S * 8/2015 Zollweg D7/523
 D745,324 S * 12/2015 Malaspino D7/523
 D756,713 S * 5/2016 Scott D7/537
 D766,040 S * 9/2016 Kehrein D7/509
 2012/0233968 A1 * 9/2012 Bernstein A47G 19/2205
 53/452
 2013/0075356 A1 * 3/2013 Bergida A47G 19/2205
 215/329
 2013/0273224 A1 10/2013 Manska et al.

(56) **References Cited**

U.S. PATENT DOCUMENTS

D130,277 S * 11/1941 Eggleton D7/532
 D138,639 S * 8/1944 Erbe D7/524
 D168,409 S * 12/1952 Kell D7/524
 D178,499 S * 8/1956 Diebenkorn D7/529
 D226,443 S 3/1973 Achenbach
 D237,853 S 12/1975 Katz
 D249,111 S * 8/1978 Geyer D7/523
 D262,253 S * 12/1981 Vennola D7/507
 D278,401 S 4/1985 Assez
 D283,659 S 5/1986 Blake et al.
 D284,154 S 6/1986 Blake et al.
 5,449,089 A 9/1995 Turner et al.
 D383,037 S * 9/1997 Asberg D7/510
 D402,158 S * 12/1998 Mountain, Jr. D7/523
 D409,444 S * 5/1999 Pelz D7/509
 D417,820 S * 12/1999 Pelz D7/509
 D418,370 S 1/2000 Wilson
 D433,599 S * 11/2000 Kristiansen D7/509
 D433,876 S * 11/2000 Freed D7/523
 D437,230 S * 2/2001 Andrew D9/516
 D452,954 S 1/2002 Westphal
 D454,278 S * 3/2002 Kerman D7/509
 6,368,531 B1 * 4/2002 Chen A47G 19/2227
 264/129
 D459,156 S 6/2002 Davidson
 D469,658 S * 2/2003 Norris D7/510
 D479,096 S * 9/2003 Webb D7/523
 D483,613 S * 12/2003 Gluck D7/509
 D483,995 S * 12/2003 Otake D7/523
 D502,633 S * 3/2005 Liu D7/509
 D506,642 S * 6/2005 Dirstein D7/509
 D513,590 S * 1/2006 Westphal D9/504
 D517,369 S * 3/2006 Harris D7/509
 D523,339 S 6/2006 Westphal
 D523,340 S * 6/2006 Westphal D9/500
 D528,861 S * 9/2006 Herrera D7/510
 D534,769 S 1/2007 Norris et al.
 D545,624 S * 7/2007 Tien D7/523
 D546,125 S * 7/2007 Bhavnani D7/523
 D569,189 S 5/2008 Kehrein et al.
 D571,151 S * 6/2008 Lopez D7/300.1
 D582,213 S 12/2008 Kehrein et al.
 D604,560 S * 11/2009 Priest D7/507
 D604,562 S * 11/2009 Lopez D7/510
 D631,760 S * 2/2011 Stanishkov D9/776
 D646,988 S * 10/2011 Myers D9/776
 D648,178 S 11/2011 Dick et al.
 D648,179 S 11/2011 Myers
 D660,724 S * 5/2012 Myers D9/777
 D662,419 S * 6/2012 Potts D7/509
 D663,165 S 7/2012 Manska et al.
 D695,075 S 12/2013 Riedel
 D696,586 S * 12/2013 Huang D7/511
 D700,525 S * 3/2014 Reaux D9/719
 D724,898 S * 3/2015 Willat D7/523
 D727,686 S * 4/2015 Meyerhoffer D7/509

OTHER PUBLICATIONS

[No Author Listed], Big O Wine Tumbler Big O Pinot Noir.
<https://riedelusa.net/riedel/o-wine-tumbler/big-o-pinot-noir.html>
 [date unknown, accessed Nov. 24, 2014].
 [No Author Listed], Bulmers Irish Cider glass. http://www.travelblogginireland.com/wp-content/uploads/2012/01/IMG_0125.jpg [date unknown, accessed Aug. 6, 2015].
 [No Author Listed], Glassware for Beer. BeerAdvocate. <http://www.beeradvocate.com/beer/101/glassware/> [last accessed Dec. 10, 2014].
 [No Author Listed], It's Hard Cider Season. Kegworks. <http://www.kegworks.com/blog/its-hard-cider-season/> [last accessed Nov. 10, 2014].
 [No Author Listed], Libbey Introduces an Incomparable Way to Present Hard Cider. <http://pitchengine.com/pitches/86e58731-a384-40c2-befb-fda28858b188> [last accessed Nov. 10, 2014].
 [No Author Listed], Libbey introduces new way to present cider. Tableware International. http://www.tablewareinternational.com/latest_news/libbeycider_2.aspx [last accessed Nov. 10, 2014].
 [No Author Listed], Libbey launches new Hard Cider glass. Go Hospitality. <http://www.gohospitality.com.au/c/Libbey/Libbey-launches-new-Hard-Cider-glass-n2517701> [last accessed Nov. 21, 2014].
 [No Author Listed], Libbey Releases Hard Cider Glass in Time for Fall. FSR Magazine. <http://staging.fsrmagazine.com/content/libbey-releases-hard-cider-glass-time-fall> [last accessed Nov. 10, 2014].
 [No Author Listed], Libbey: New Glass Makes Improving the Hard Cider Experience Easy. Table Top Journal. <http://www.tabletopjournal.com/journal-page/libbey-new-glass-makes-improving-the-hard-cider-experience-easy> [last accessed Nov. 10, 2014].
 [No Author Listed], Libbey® Glass 4-Piece Perfect Hard Cider McIntosh GlassesBed. Bath & Beyond. <http://www.bedbathandbeyond.com/1/1/283153-libbey-glass-4-piece-perfect-hard-cider> [last accessed Dec. 10, 2014].
 [No Author Listed], Libby Perfect Hard Cider Assorted Glass Set—6 Pieces. <https://www.kegworks.com/libbey-perfect-hard-cider-assorted-glass-set-6-pieces?keyword/> [date unknown, accessed Dec. 10, 2014].
 [No Author Listed], Riedel USA. http://www.riedelusa.net/media/catalog/product/cache/1/small_image/0f396e8a55728e79 [last accessed Dec. 10, 2014].
 [No Author Listed], Spiegelau India Pale Ale Beer Glass. Crate and Barrel. <http://www.crateandbarrel.com/spiegelau-india-pale-ale-beer-glass/s688663> [last accessed Nov. 6, 2014].
 [No Author Listed], Spiegelau Stemmed Pilsner Glass. Crate and Barrel. <http://www.crateandbarrel.com/spiegelau-stemmed-pilsner-glass/s144509> [last accessed Nov. 6, 2014].
 Reis, Beer Glassware: Does it Really Matter? Serious Eats. Jun. 7, 2012. <http://drinks.seriousseats.com/2012/06/beer-glasses-best-glass-for-craft-beer-taste-test.html> [last accessed Dec. 10, 2014].

* cited by examiner

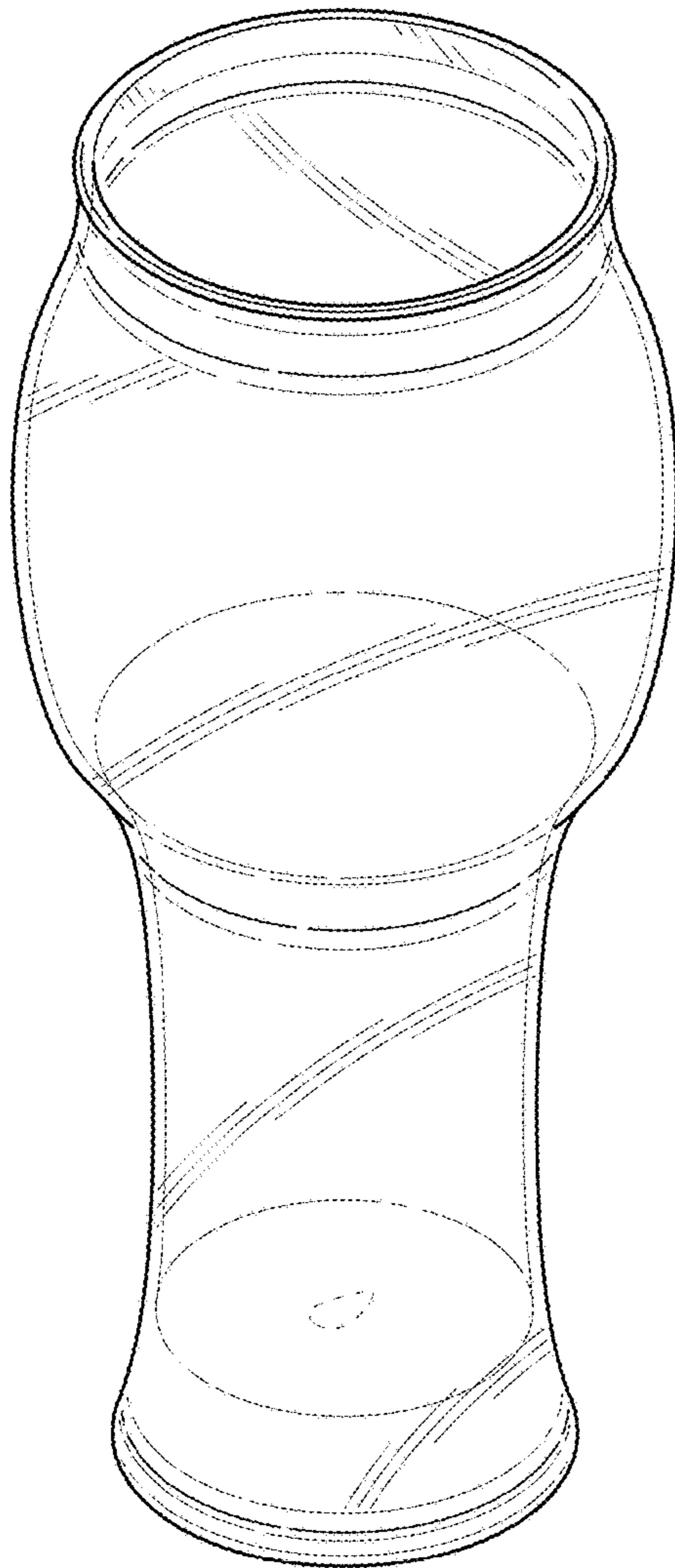


FIG. 1

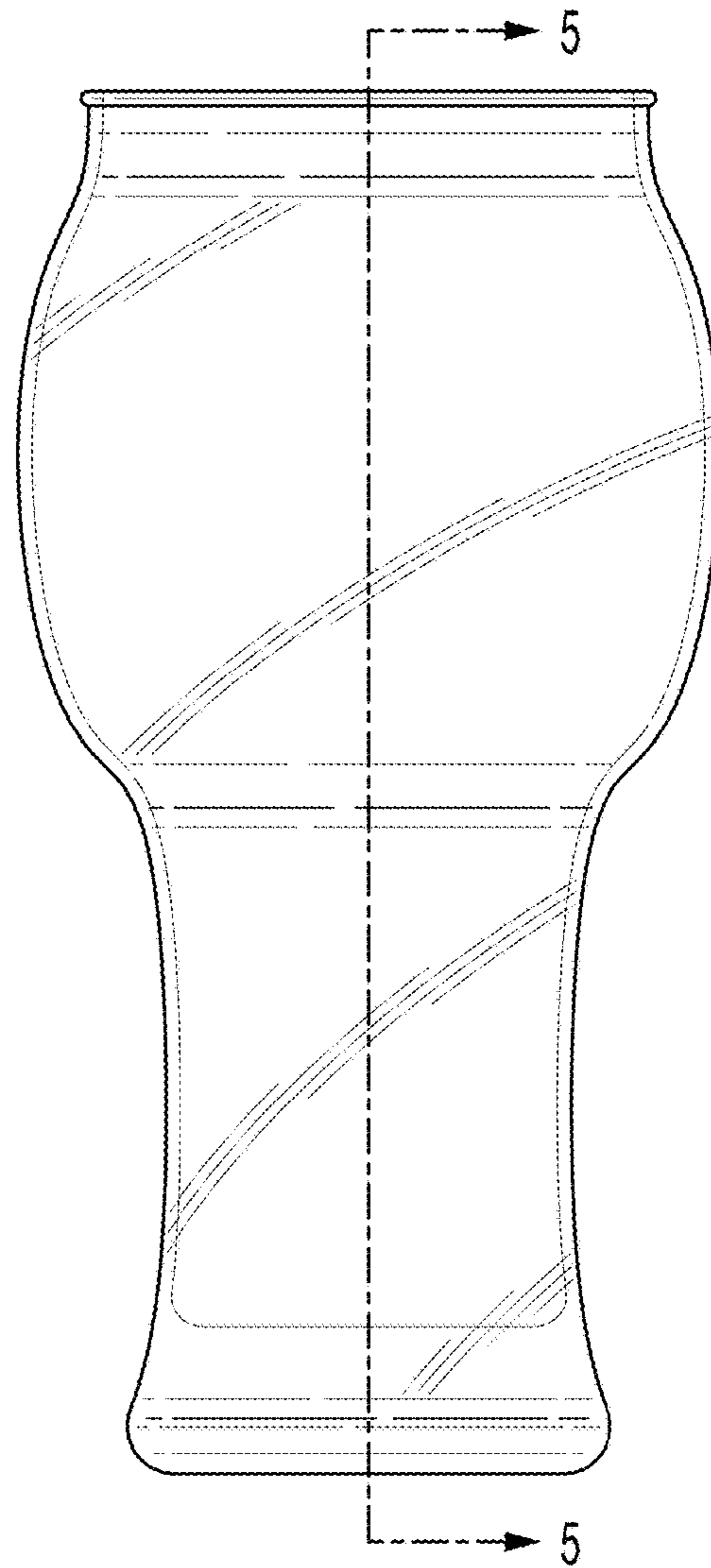


FIG. 2

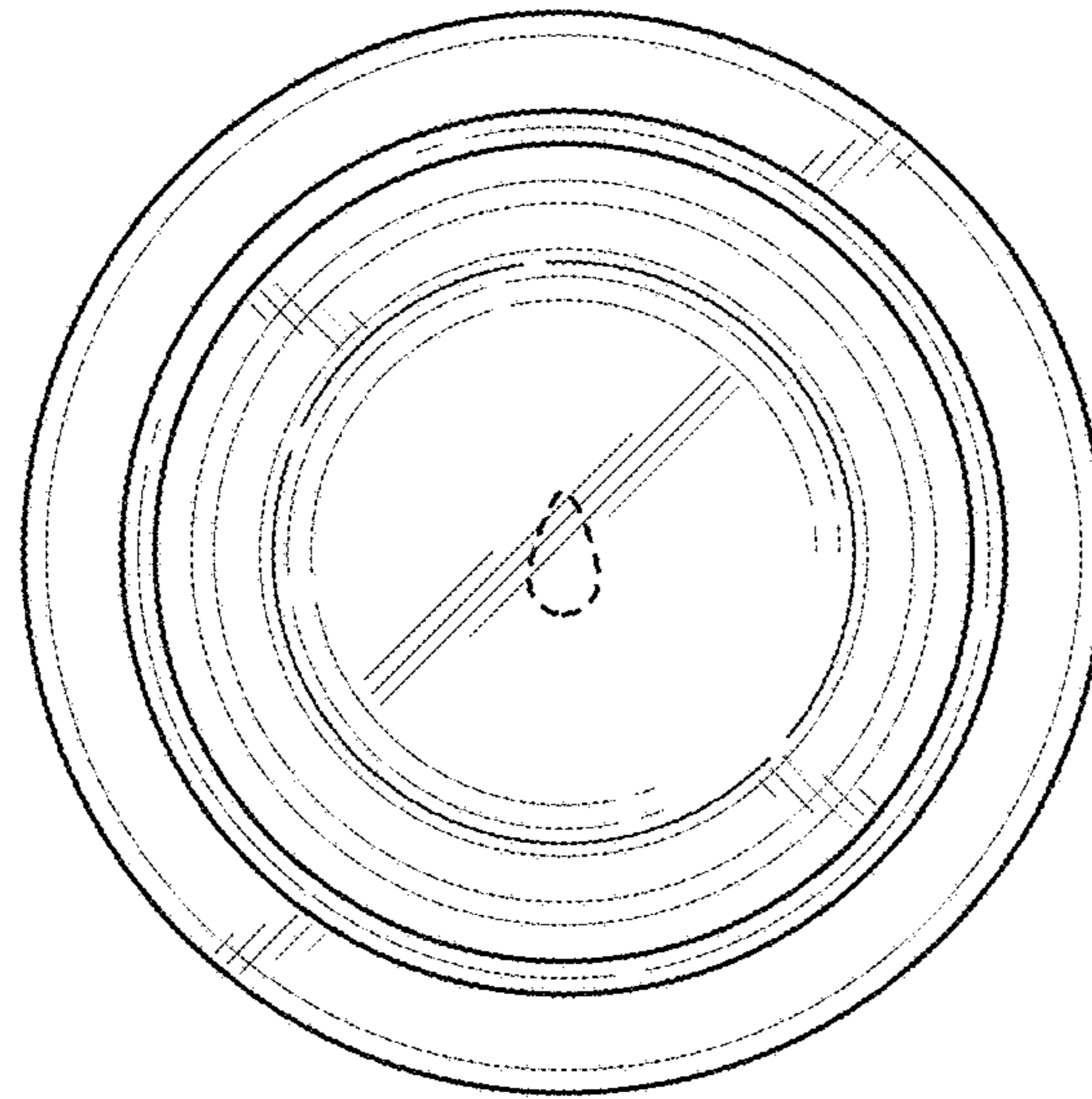


FIG. 3

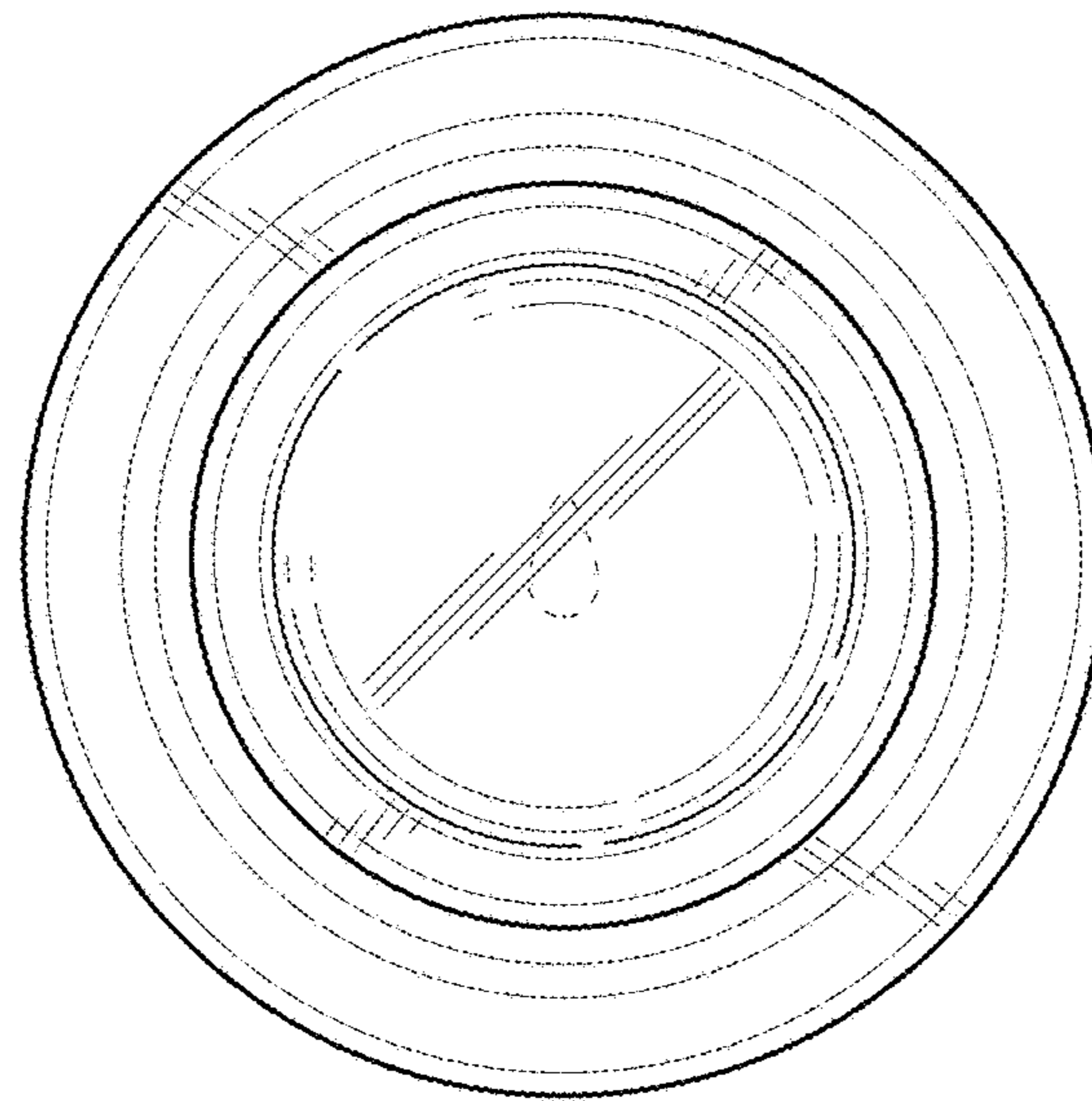


FIG. 4

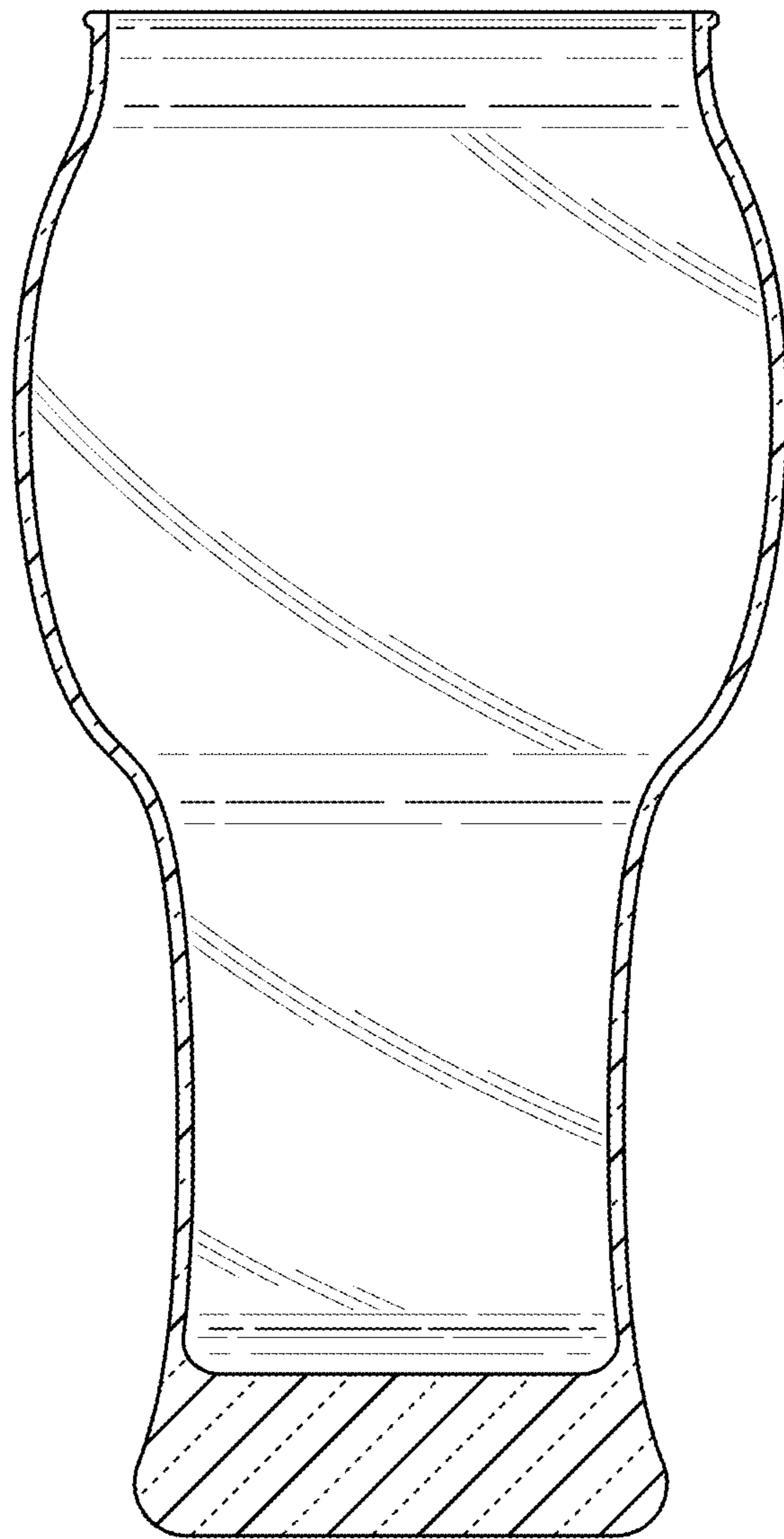


FIG. 5

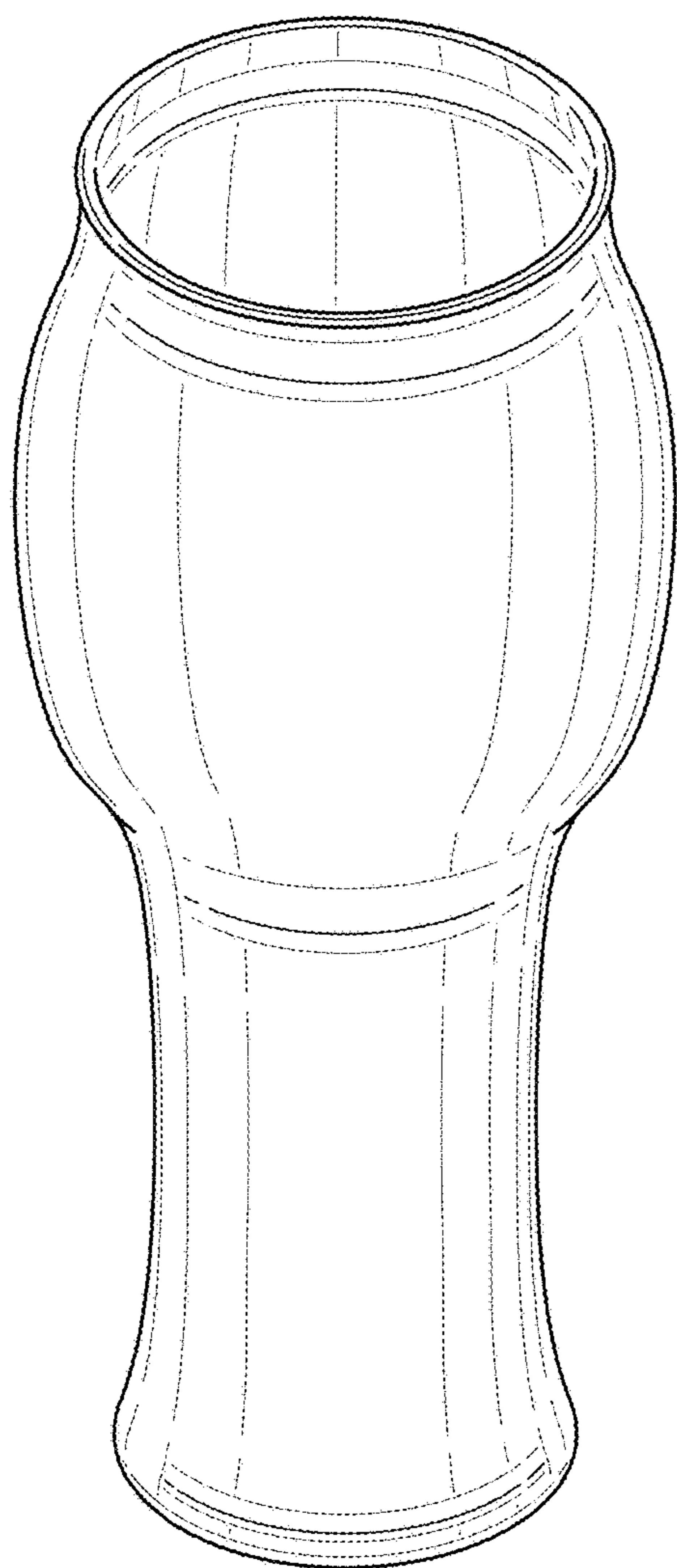


FIG. 6

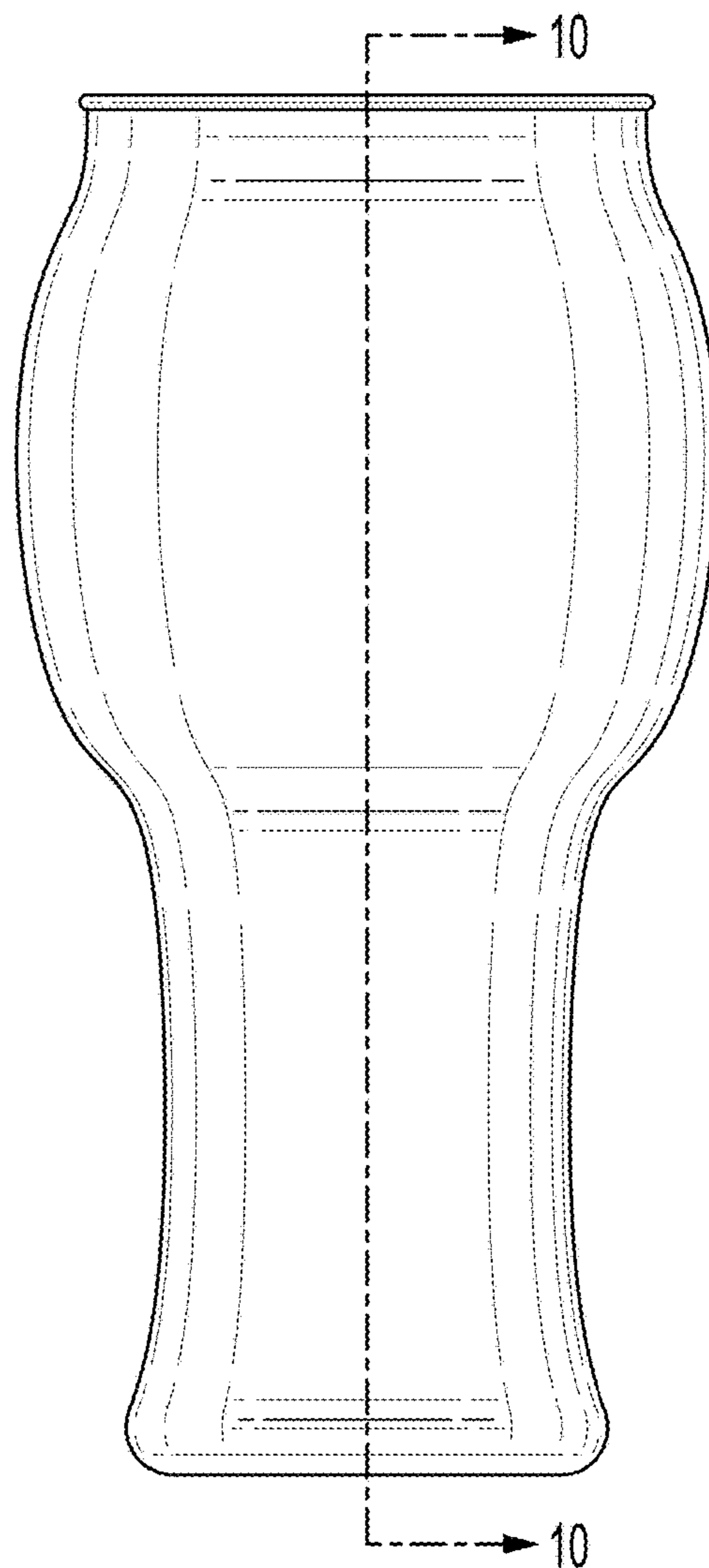


FIG. 7

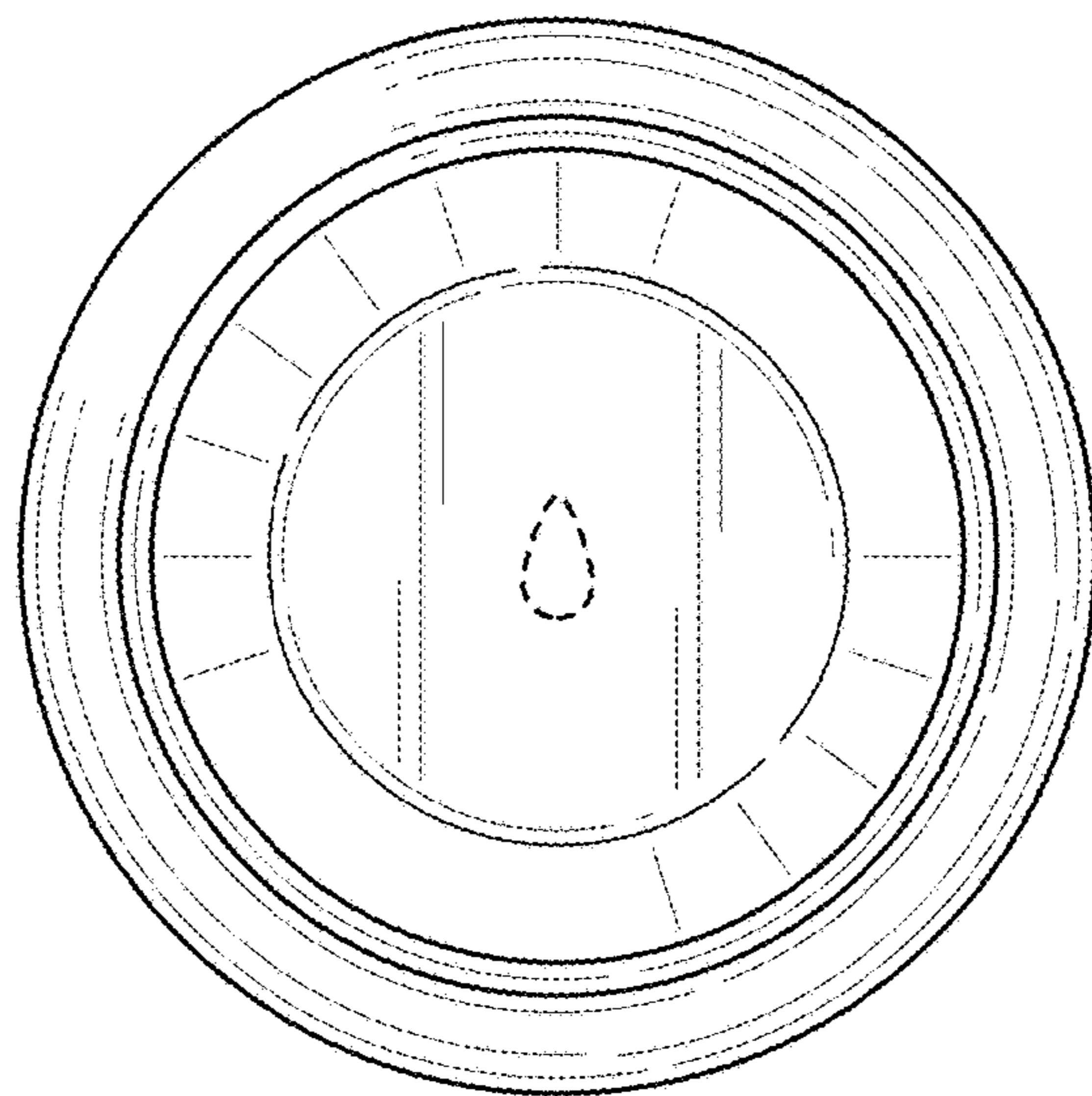


FIG. 8

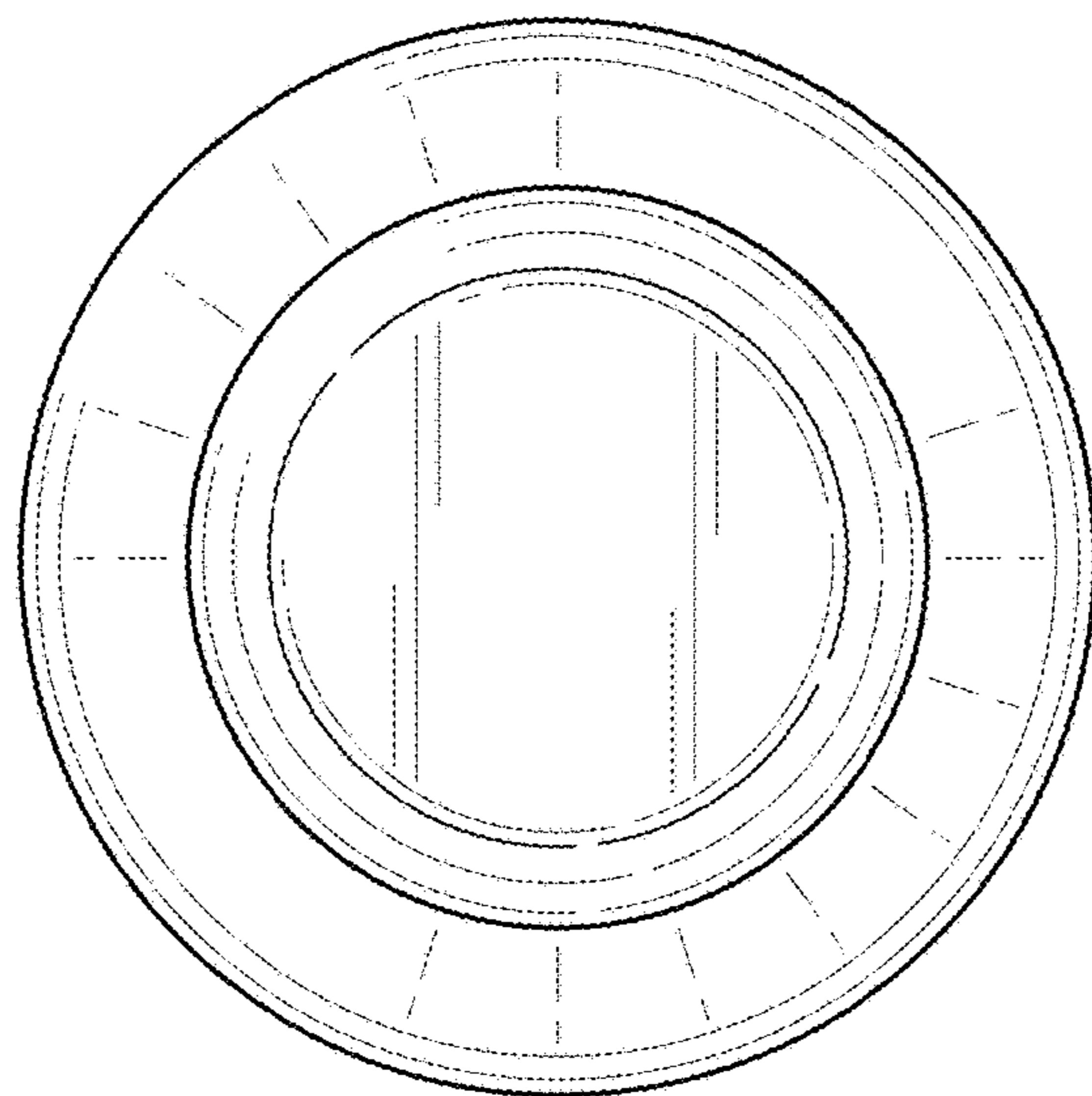


FIG. 9

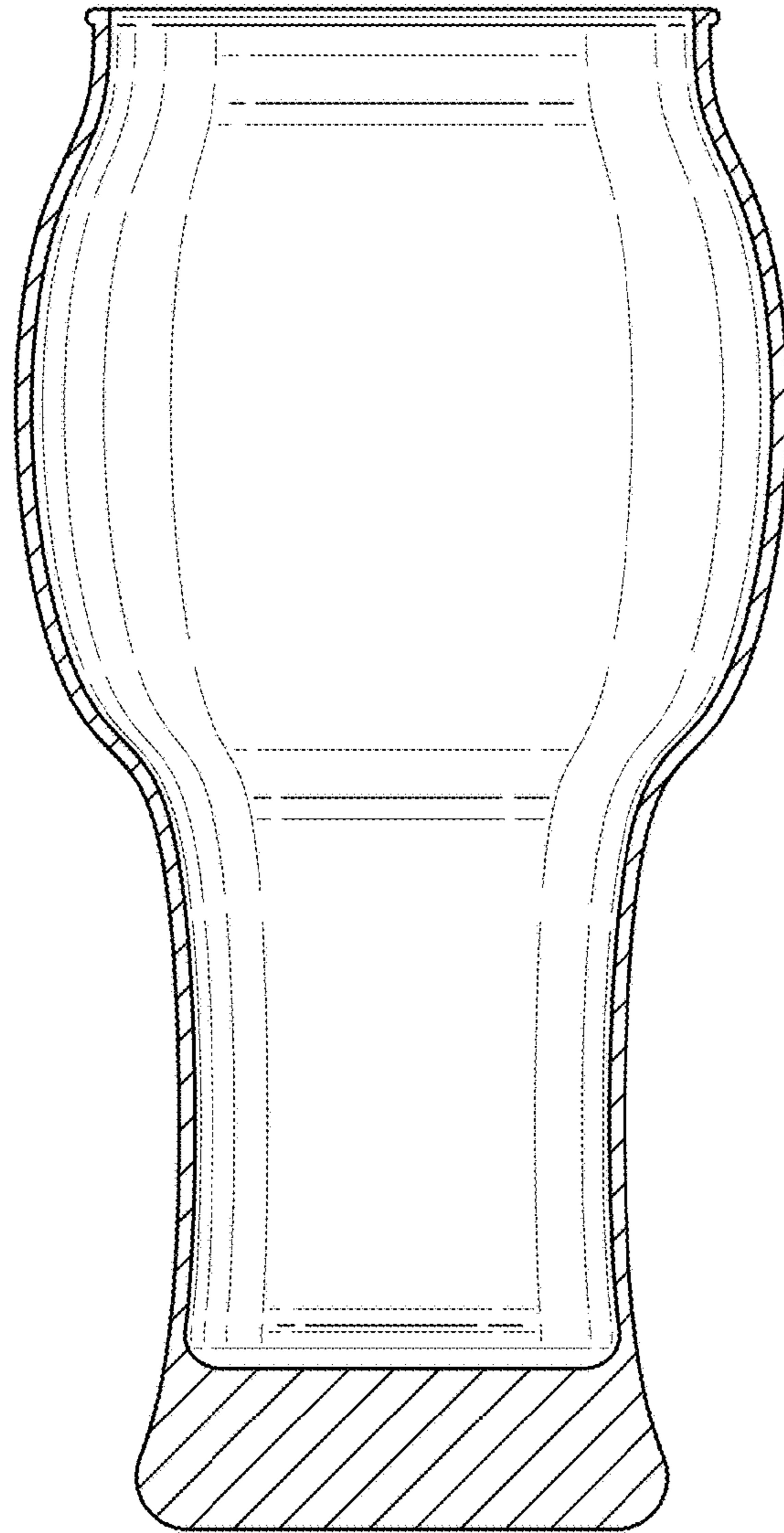


FIG. 10