



US00D781654S

(12) **United States Design Patent** (10) **Patent No.:** **US D781,654 S**  
**Marquard et al.** (45) **Date of Patent:** **\*\* Mar. 21, 2017**

(54) **SPORT BOTTLE**

(71) Applicant: **SPECTRUM PRINT GRAPHICS, LLC**, Tigard, OR (US)

(72) Inventors: **Conrad Marquard**, Lake Oswego, OR (US); **Robert Clark Workman**, Tigard, OR (US)

(73) Assignee: **Spectrum Print Graphics, LLC**, Tigard, OR (US)

(\*\*) Term: **15 Years**

(21) Appl. No.: **29/554,670**

(22) Filed: **Feb. 12, 2016**

(51) **LOC (10) Cl.** ..... **07-01**

(52) **U.S. Cl.**  
USPC ..... **D7/510**

(58) **Field of Classification Search**  
USPC ..... D7/509, 510, 511, 523, 538, 543;  
220/200, 705-710, 592.16, 592.17;  
215/396-400; D23/209; 210/203, 205,  
210/206  
CPC A47G 19/22; A47G 19/2205; A47G 19/2211;  
A47G 19/2216; A47G 19/2272; A47G  
19/2288; A45F 3/16; A47J 43/27; B65D  
41/04; B65D 41/56; B65D 43/02; B65D  
47/08

See application file for complete search history.

(56) **References Cited**

**U.S. PATENT DOCUMENTS**

D508,185 S \* 8/2005 Gauss ..... D7/392.1  
D699,996 S \* 2/2014 De Leo ..... D7/300.1

D702,503 S \* 4/2014 Steel ..... D7/300.1  
D730,694 S \* 6/2015 Elsaden ..... D7/511  
D755,562 S \* 5/2016 Lindsay ..... D7/392.1  
2016/0249755 A1 \* 9/2016 Sorensen ..... A47G 19/2205

\* cited by examiner

*Primary Examiner* — Daniel Bui

*Assistant Examiner* — Andrew Kerr

(74) *Attorney, Agent, or Firm* — Schwabe, Williamson & Wyatt P.C.

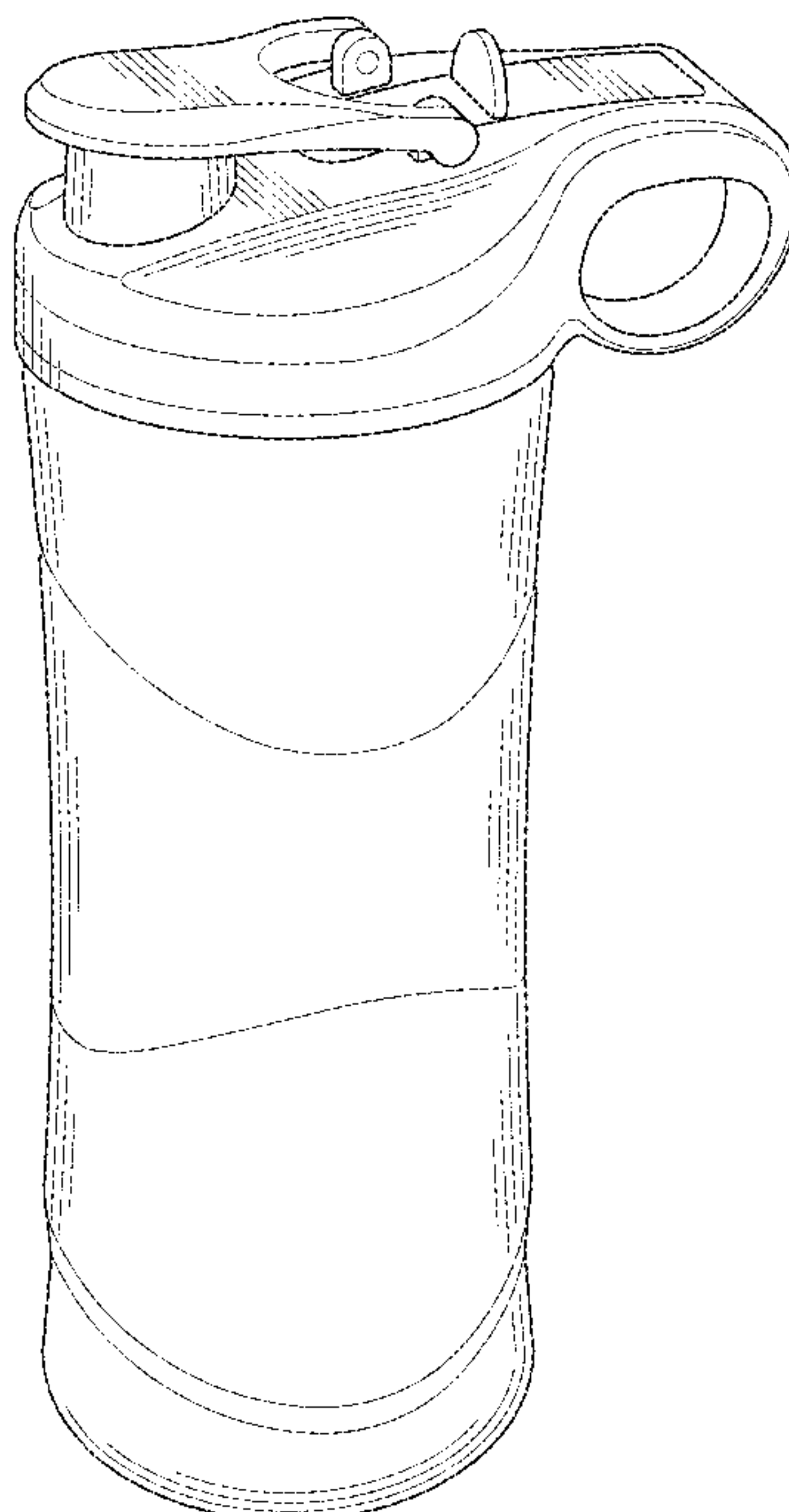
(57) **CLAIM**

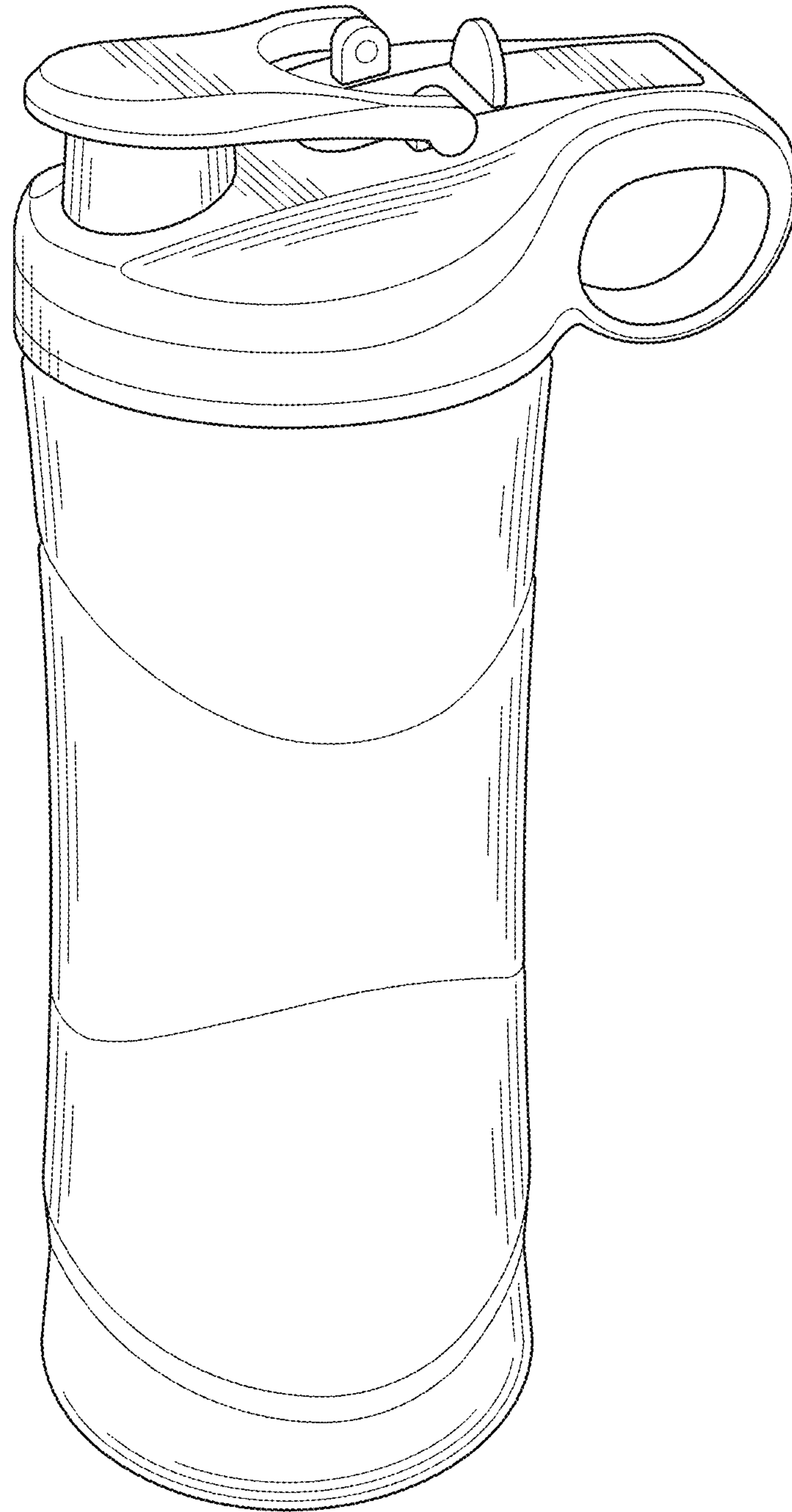
The ornamental design for a sport bottle, as shown and described.

**DESCRIPTION**

FIG. 1 is a perspective view of a sport bottle showing our new design;  
FIG. 2 is a left side elevation view thereof;  
FIG. 3 is a front elevation view thereof;  
FIG. 4 is a right side elevation view thereof;  
FIG. 5 is a rear elevation view thereof;  
FIG. 6 is a top plan view thereof;  
FIG. 7 is a bottom plan view thereof;  
FIG. 8 is a perspective view thereof, in a use condition; and,  
FIG. 9 is a perspective view thereof, in another use condition.

**1 Claim, 5 Drawing Sheets**





**FIG. 1**

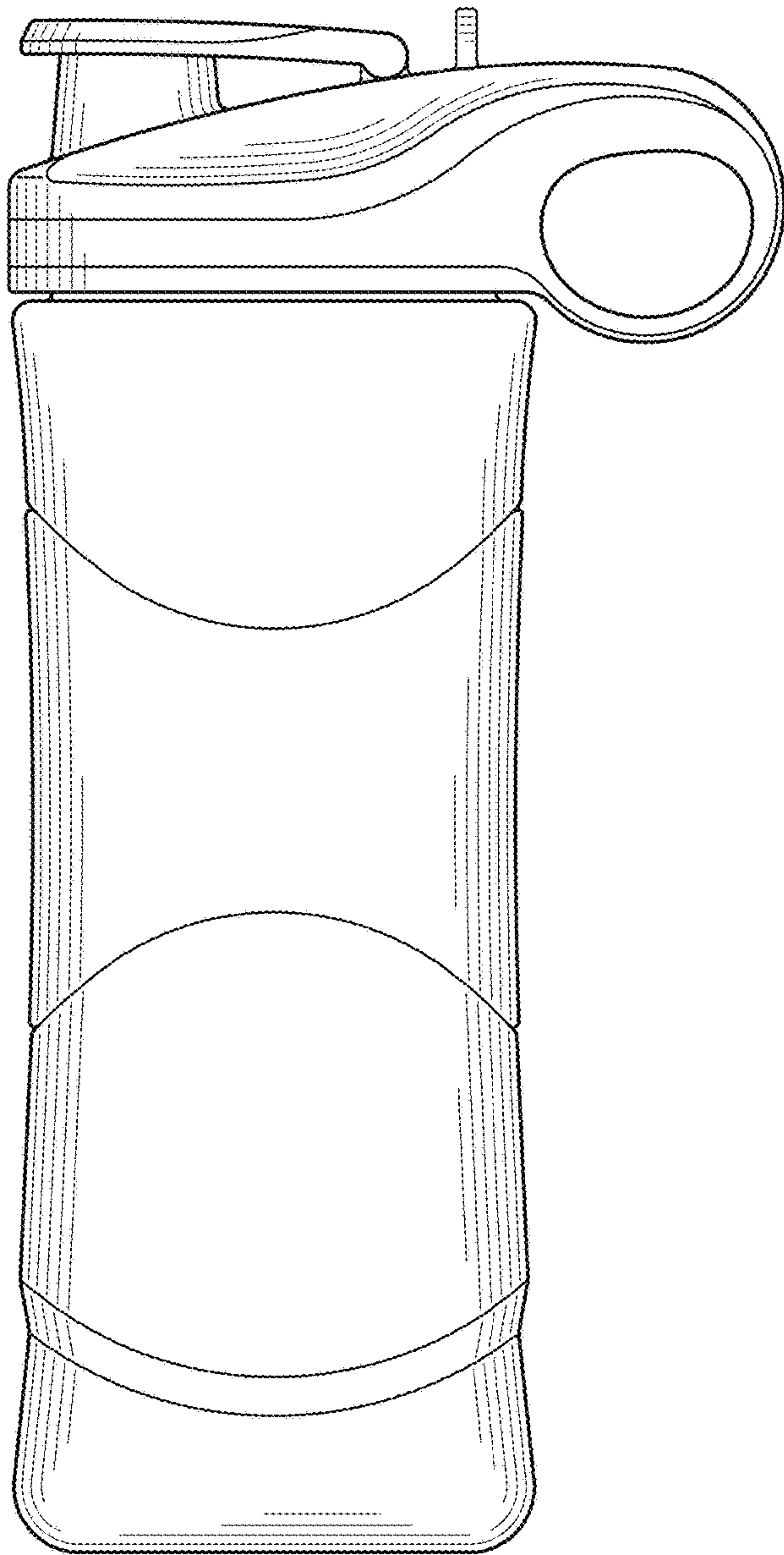


FIG. 2

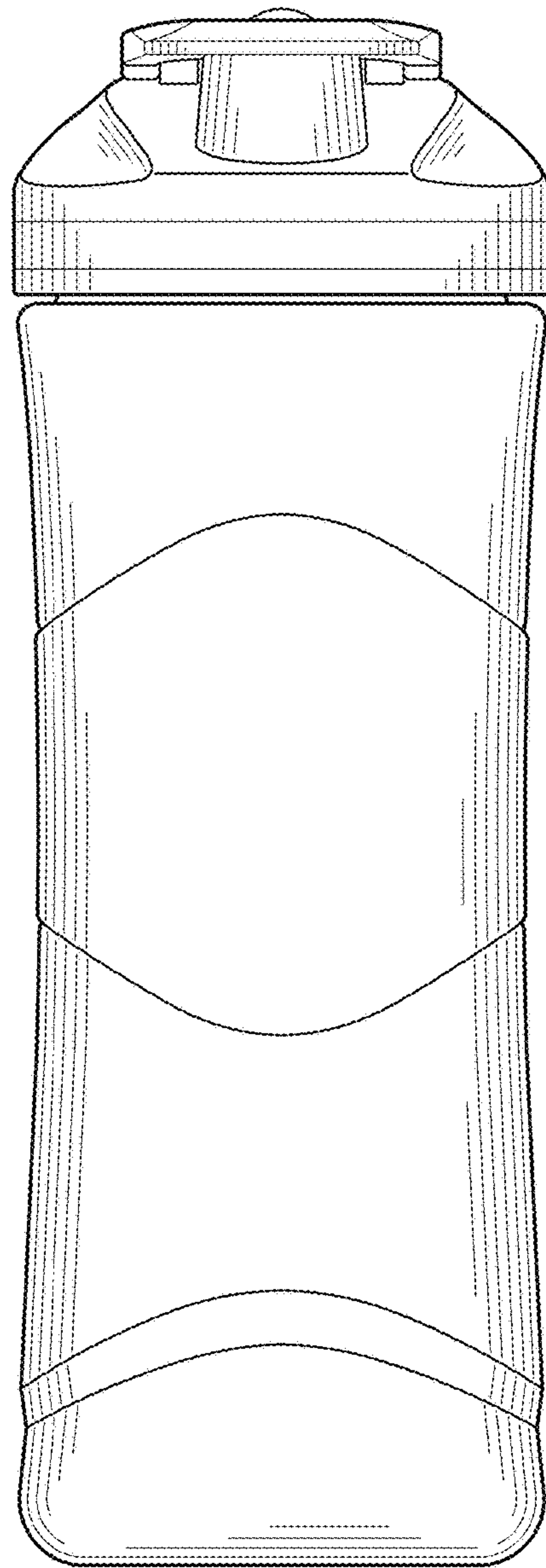


FIG. 3



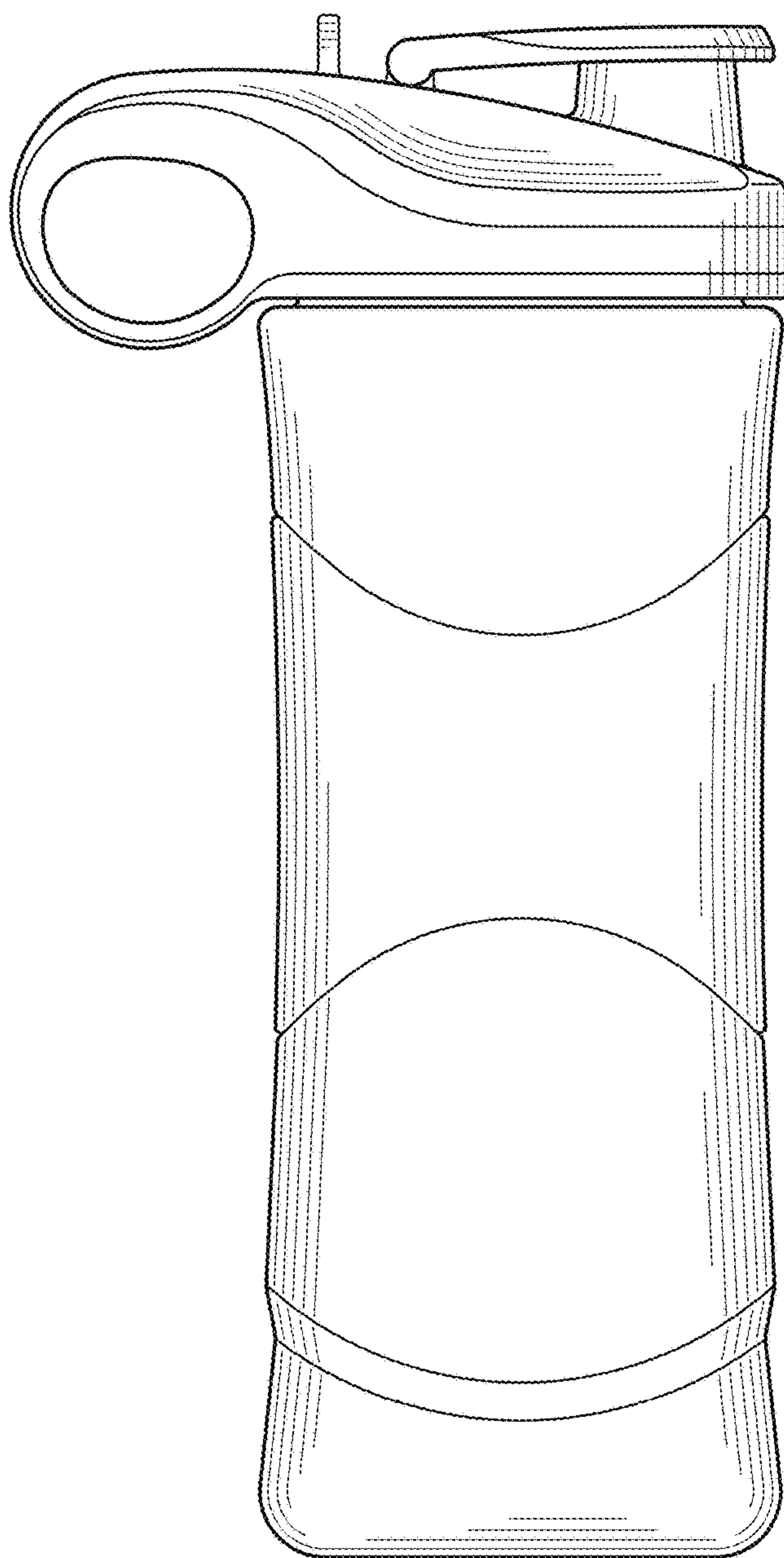


FIG. 4

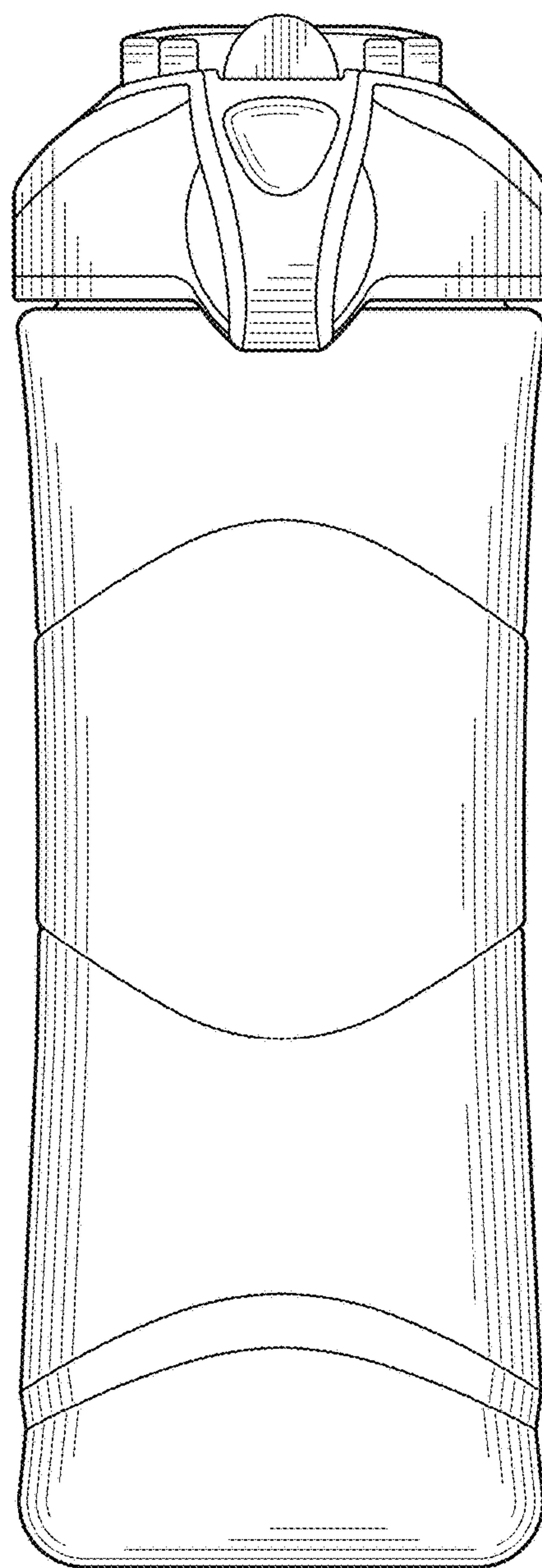
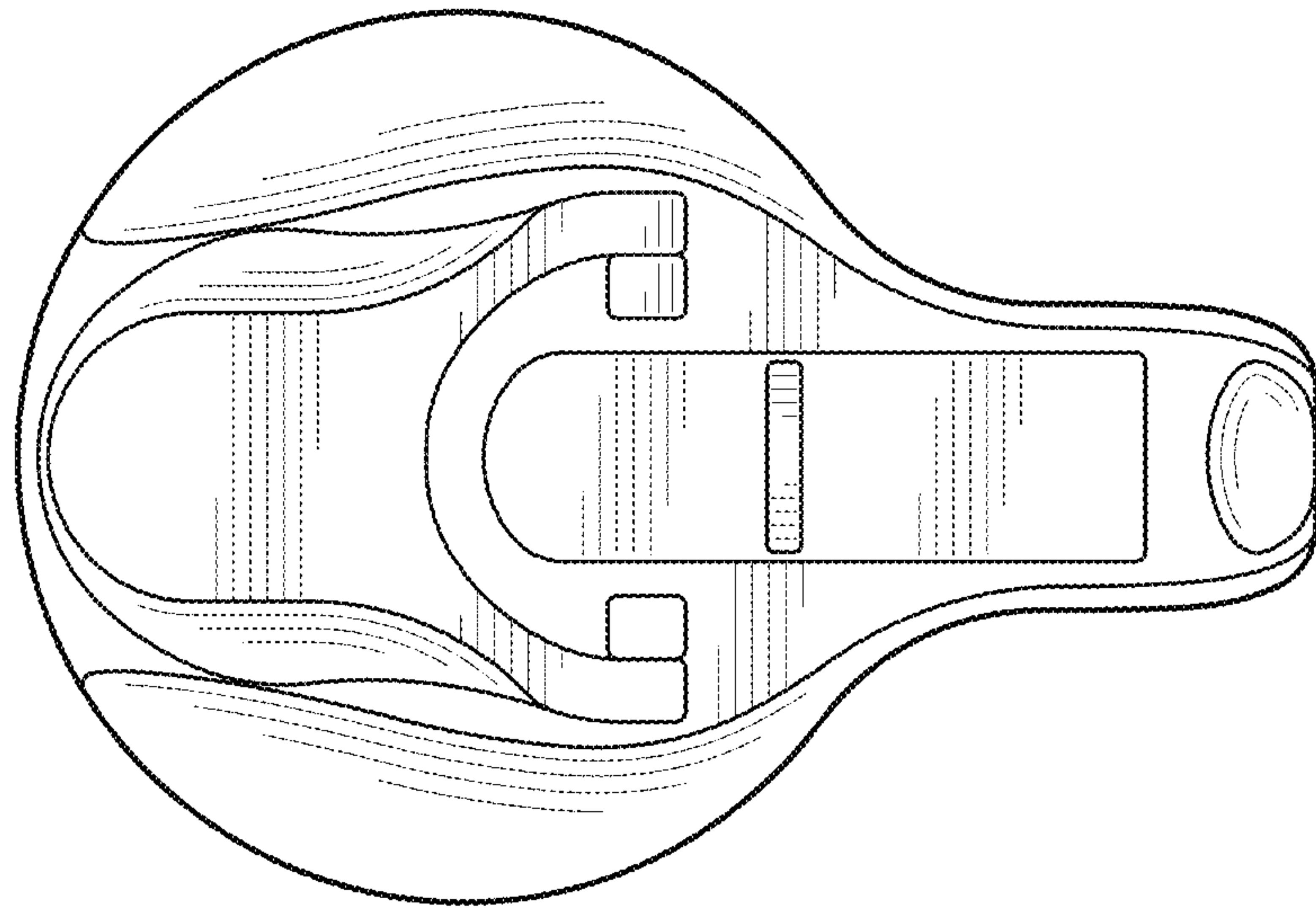
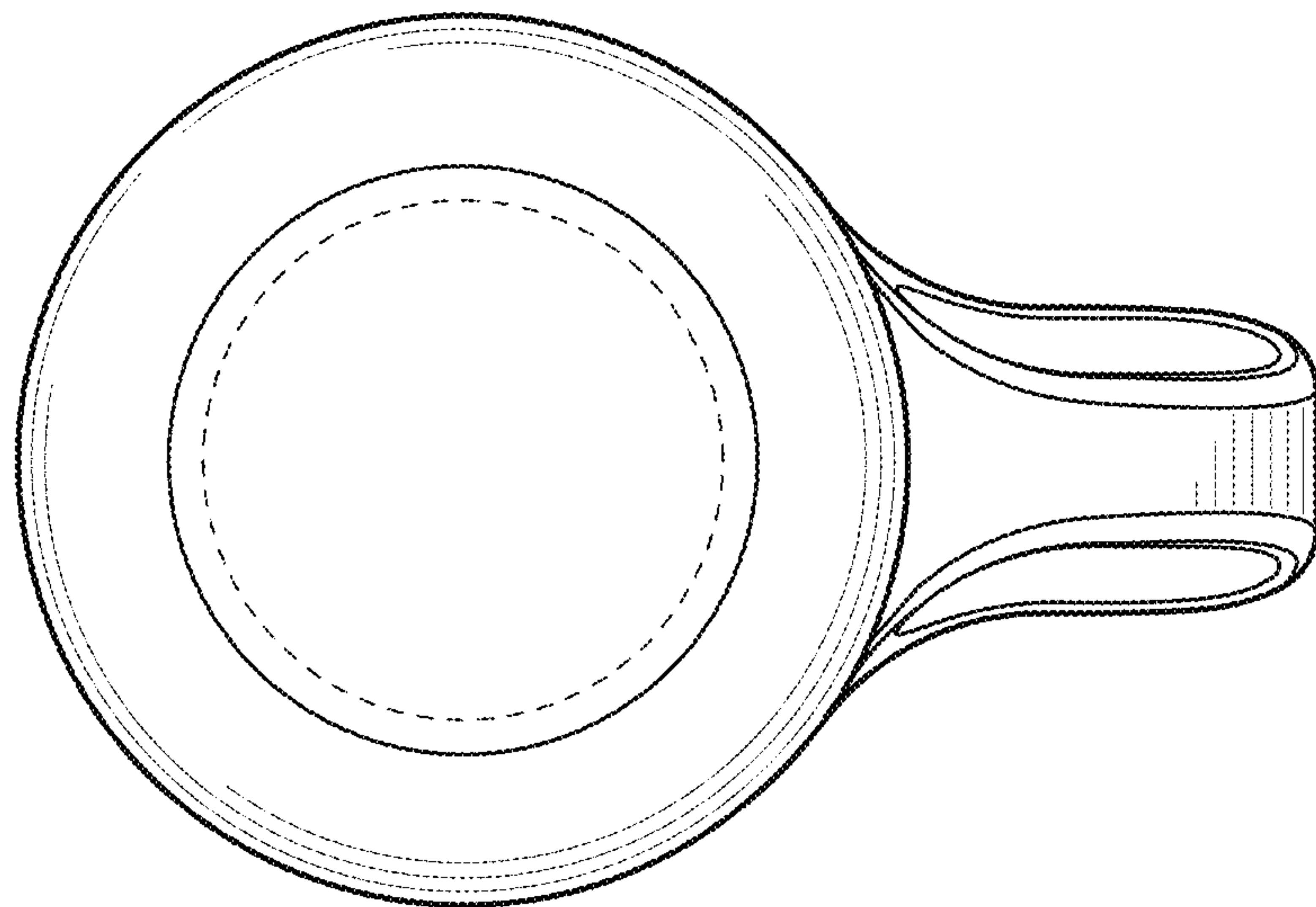


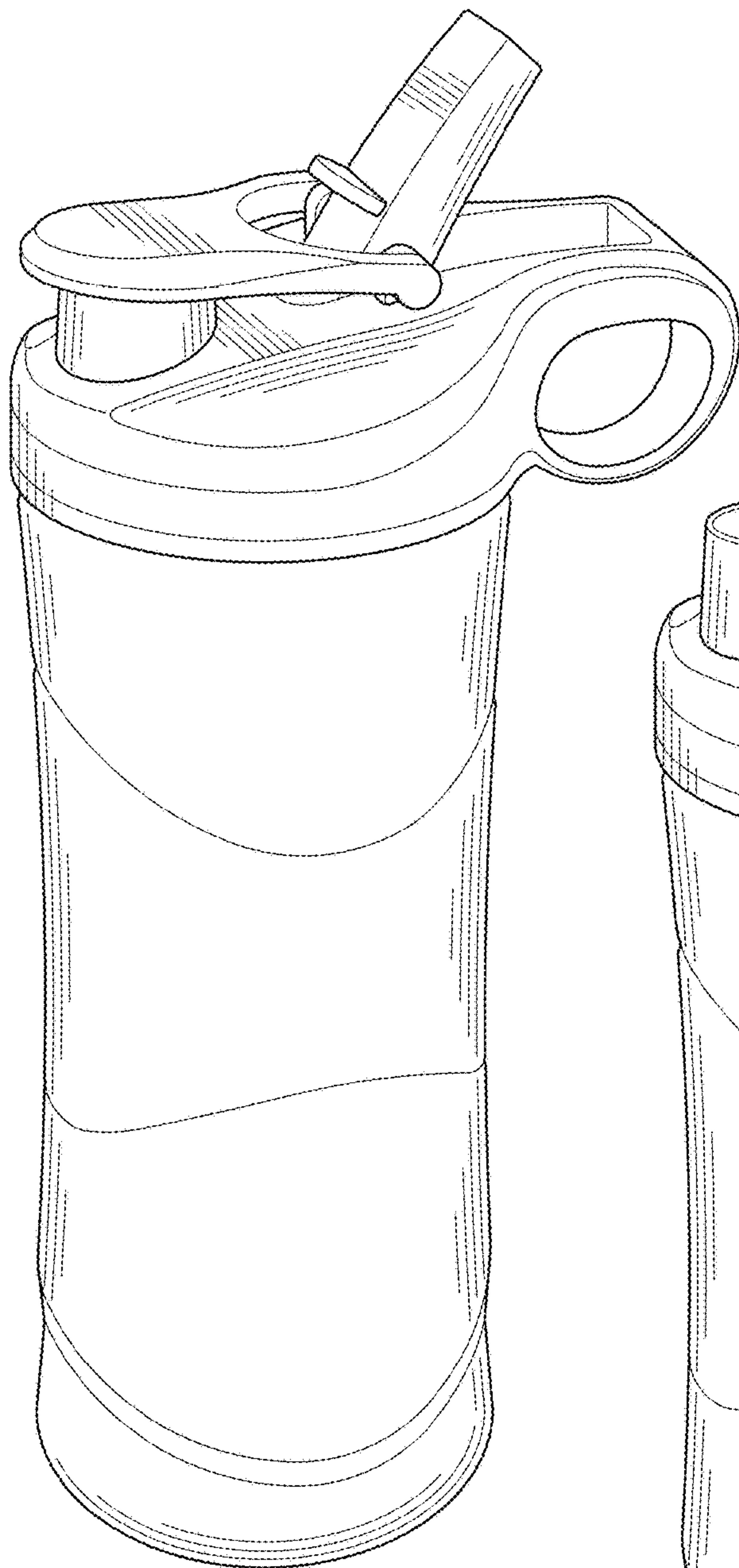
FIG. 5



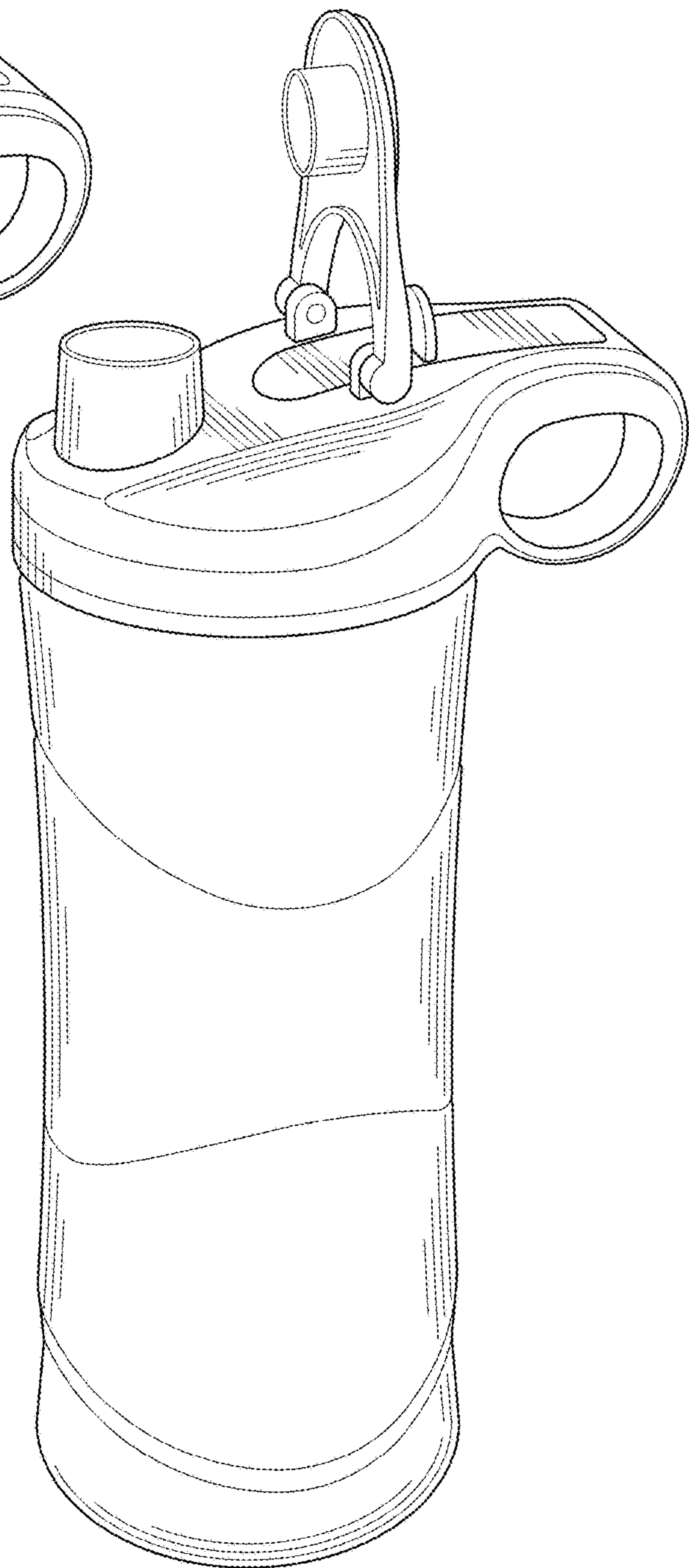
**FIG. 6**



**FIG. 7**



**FIG. 8**



**FIG. 9**