



US00D781653S

(12) **United States Design Patent**
Matthis et al.

(10) **Patent No.:** **US D781,653 S**
(45) **Date of Patent:** **** Mar. 21, 2017**

- (54) **TUMBLER WITH STRAW**
- (71) Applicant: **Ignite USA, LLC**, Chicago, IL (US)
- (72) Inventors: **Marjavis J. Matthis**, Chicago, IL (US);
Bryan Washburn, Buffalo Grove, IL (US); **Robert Coon**, Chicago, IL (US)
- (73) Assignee: **Ignite USA, LLC**, Chicago, IL (US)
- (**) Term: **15 Years**
- (21) Appl. No.: **29/535,410**
- (22) Filed: **Aug. 6, 2015**
- (51) **LOC (10) Cl.** **07-01**
- (52) **U.S. Cl.**
USPC **D7/507; D7/517; D7/510; D7/300.2**
- (58) **Field of Classification Search**
USPC **D7/507, 509, 510, 511, 213, 514, 515, D7/300.2, 301, 387, 392, 392.1, 393, 394, D7/396.1, 396.2, 396.3, 397, 398, 399, D7/400, 708.1, 619.1, 633, 635, 523, 532, D7/517; D24/194, 197, 198; D9/624, D9/435, 436, 440; 220/703, 592.16, 220/592.17, 705, 706, 707; D10/119.2, D10/119.3**
CPC **A47G 19/06; A47G 19/02; A47G 19/065; A47G 19/2216; A47G 19/2222; B65D 47/066**
See application file for complete search history.

(56) **References Cited**

U.S. PATENT DOCUMENTS

- D271,052 S * 10/1983 Qually D21/661
- D298,841 S * 12/1988 Green D1/108
- D331,628 S * 12/1992 Dodson D21/661
- D352,416 S * 11/1994 Dutton D7/300.2
- D415,568 S * 10/1999 Bernd D24/195

- D450,127 S * 11/2001 Trujillo D24/194
- D470,943 S * 2/2003 Adams D24/195
- D490,637 S * 6/2004 Diaz D7/300.2
- 6,921,179 B2 * 7/2005 Diak Ghanem ... A47G 19/2227
206/217
- D521,646 S * 5/2006 Mann D24/195
- D577,260 S * 9/2008 Bodum D7/509
- D592,505 S * 5/2009 Mobley D7/300.2
- D698,695 S * 2/2014 Quigless D11/157
- D701,425 S * 3/2014 Pearson D7/510
- D720,183 S * 12/2014 Chiang D7/510
- D721,920 S * 2/2015 Coon D7/510
- D728,311 S * 5/2015 Eyal D7/510
- D736,034 S * 8/2015 Spivey D7/510
- D740,073 S * 10/2015 Zorovich D7/507
- D769,069 S * 10/2016 Sanbar D7/507
- 2012/0247998 A1 * 10/2012 Wahl B65D 1/265
206/459.5

(Continued)

OTHER PUBLICATIONS

<https://www.cpsc.gov/Recalls/2016/Ignite-Recalls-Kids-Straw-Tumblers> Nov. 10, 2105.*

(Continued)

Primary Examiner — Marianne Pandozzi

Assistant Examiner — Jae Liang

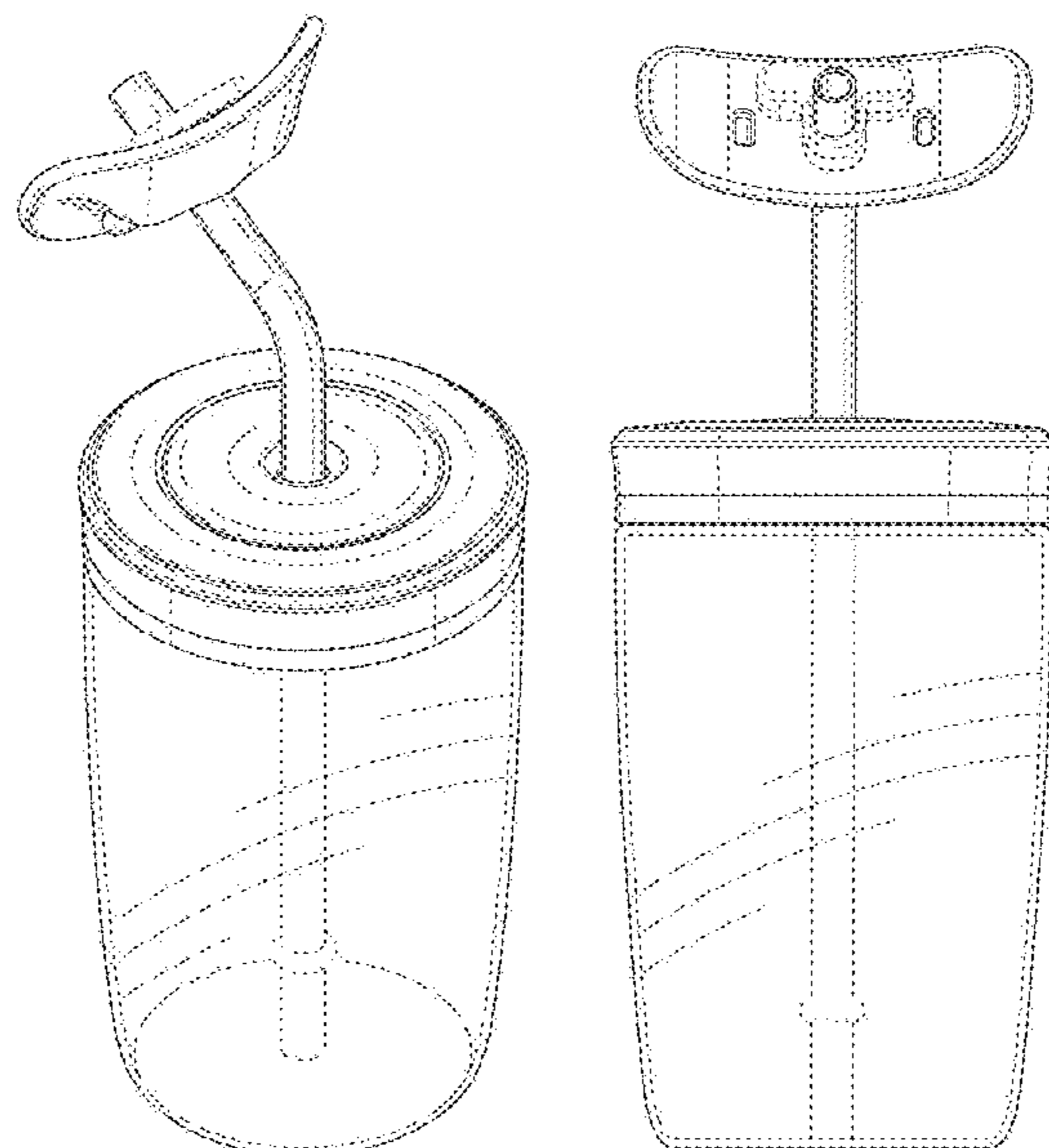
(57) **CLAIM**

The ornamental design for a “tumbler with straw,” as shown and described.

DESCRIPTION

FIG. 1 is a perspective view of a tumbler with straw showing our new design;
FIG. 2 is a front view thereof; and,
FIG. 3 is a rear view thereof.
The broken lines in the drawing depict portions of the tumbler with straw that form no part of the claimed design.

1 Claim, 3 Drawing Sheets



(56)

References Cited

U.S. PATENT DOCUMENTS

2015/0265078 A1* 9/2015 Goosman A47G 19/2222
220/707

OTHER PUBLICATIONS

Design U.S. Appl. No. 29/535,402, filed Aug. 6, 2016 entitled
"Tumbler with Straw", Inventor: Marjavis J. Matthis et al.

Design U.S. Appl. No. 29/535,394, filed Aug. 6, 2015 entitled
"Tumbler with Straw", Inventor: Marjavis J. Matthis et al.

Design U.S. Appl. No. 29/535,428, filed Aug. 6, 2015 entitled
"Tumbler with Straw", Inventor: Marjavis J. Matthis et al.

7 Eleven Slurpee, Tumbler with Straw, on or before Aug. 6, 2015.

* cited by examiner

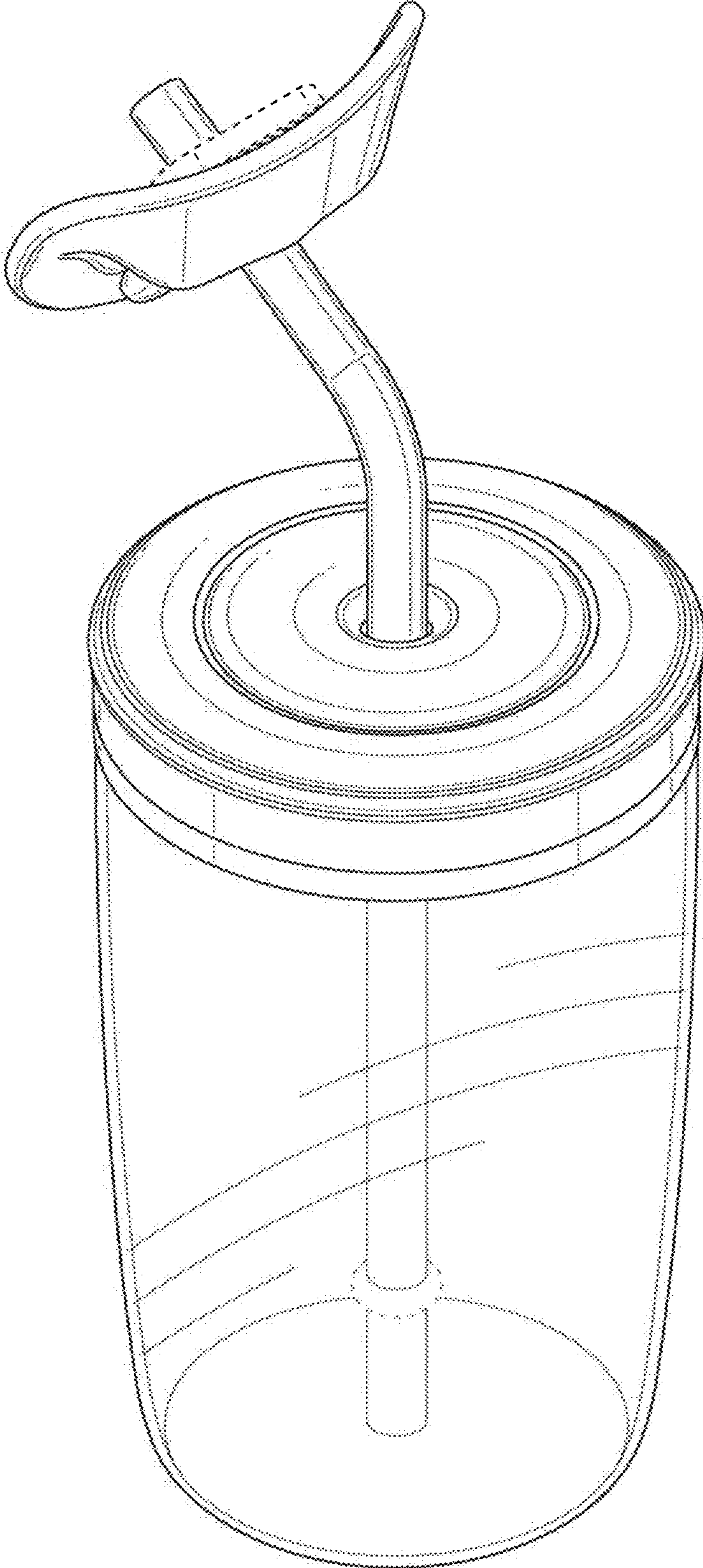


FIG. 1

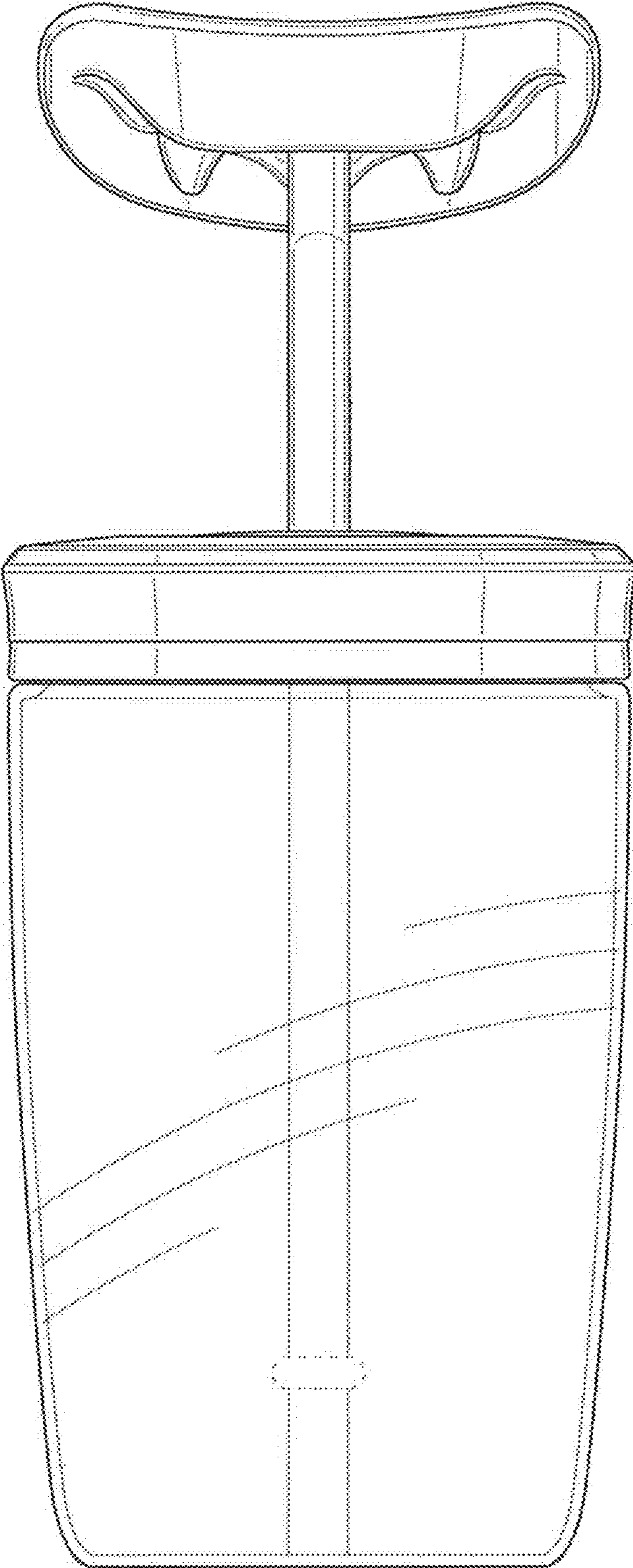


FIG. 2

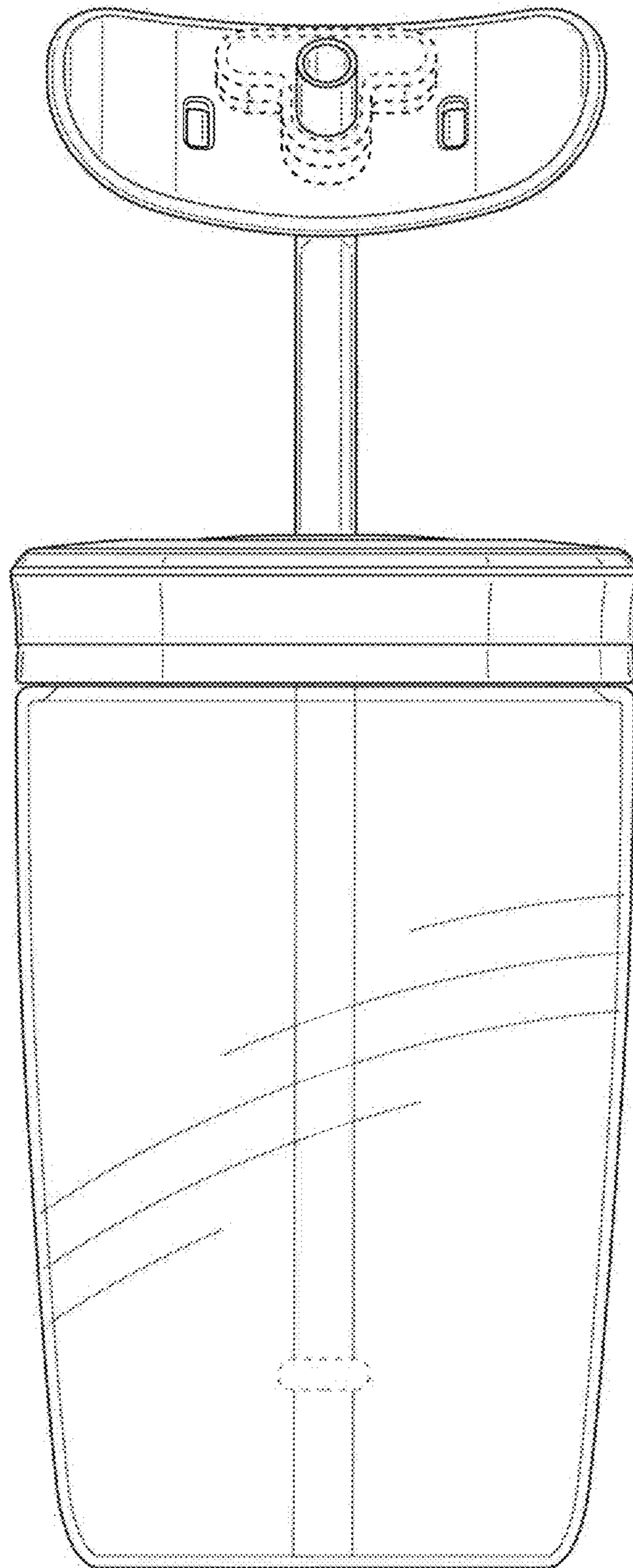


FIG. 3