



US00D781652S

(12) **United States Design Patent**
Matthis et al.

(10) **Patent No.:** **US D781,652 S**

(45) **Date of Patent:** **** Mar. 21, 2017**

(54) **TUMBLER WITH STRAW**

(71) Applicant: **Ignite USA, LLC**, Chicago, IL (US)

(72) Inventors: **Marjavis J. Matthis**, Chicago, IL (US);
Bryan Washburn, Buffalo Grove, IL (US);
Robert Coon, Chicago, IL (US)

(73) Assignee: **Ignite USA, LLC**, Chicago, IL (US)

(**) Term: **15 Years**

(21) Appl. No.: **29/535,402**

(22) Filed: **Aug. 6, 2015**

(51) **LOC (10) Cl.** **07-01**

(52) **U.S. Cl.**
USPC **D7/507; D7/517; D7/510; D7/300.2**

(58) **Field of Classification Search**
USPC D7/507, 509, 510, 511, 213, 514, 515,
D7/300.2, 301, 387, 392, 392.1, 393, 394,
D7/396.1, 396.2, 396.3, 397, 398, 399,
D7/400, 708.1, 619.1, 633, 635, 523, 532,
D7/517; D24/194, 197, 198; D9/624,
D9/435, 436, 440; 220/703, 592.16,
220/592.17, 705, 706, 707; D10/119.2,
D10/119.3

CPC A47G 19/06; A47G 19/02; A47G 19/065;
A47G 19/2216; A47G 19/2222; B65D
47/066

See application file for complete search history.

(56) **References Cited**

U.S. PATENT DOCUMENTS

- 3,858,589 A * 1/1975 Geiger A45D 24/36
132/214
- D269,461 S * 6/1983 Qually D21/661
- 5,318,590 A * 6/1994 Brennan A61J 17/001
446/27

- D352,416 S * 11/1994 Dutton D7/300.2
- D421,804 S * 3/2000 Gill D24/195
- D450,127 S * 11/2001 Trujillo D24/194
- 6,921,179 B2 * 7/2005 Diak Ghanem ... A47G 19/2227
206/217
- D577,260 S * 9/2008 Bodum D7/509
- D592,505 S * 5/2009 Mobley D7/300.2
- D679,022 S * 3/2013 Feinberg D24/194
- D693,931 S * 11/2013 Pasis D24/195
- D701,425 S * 3/2014 Pearson D7/510
- D720,183 S * 12/2014 Chiang D7/510
- D721,920 S * 2/2015 Coon D7/510
- D723,854 S * 3/2015 Giraldez D7/300.1
- D728,311 S * 5/2015 Eyal D7/510
- D736,034 S * 8/2015 Spivey D7/510
- D740,073 S * 10/2015 Zorovich D7/507
- D769,069 S * 10/2016 Sanbar D7/507
- 2012/0247998 A1 * 10/2012 Wahl B65D 1/265
206/459.5

(Continued)

OTHER PUBLICATIONS

<http://www.giftandheart.com/2012/12/25/gift-heart> Dec. 25, 2012.*

(Continued)

Primary Examiner — Marianne Pandozzi

Assistant Examiner — Jae Liang

(57) **CLAIM**

The ornamental design for a “tumbler with straw,” as shown and described.

DESCRIPTION

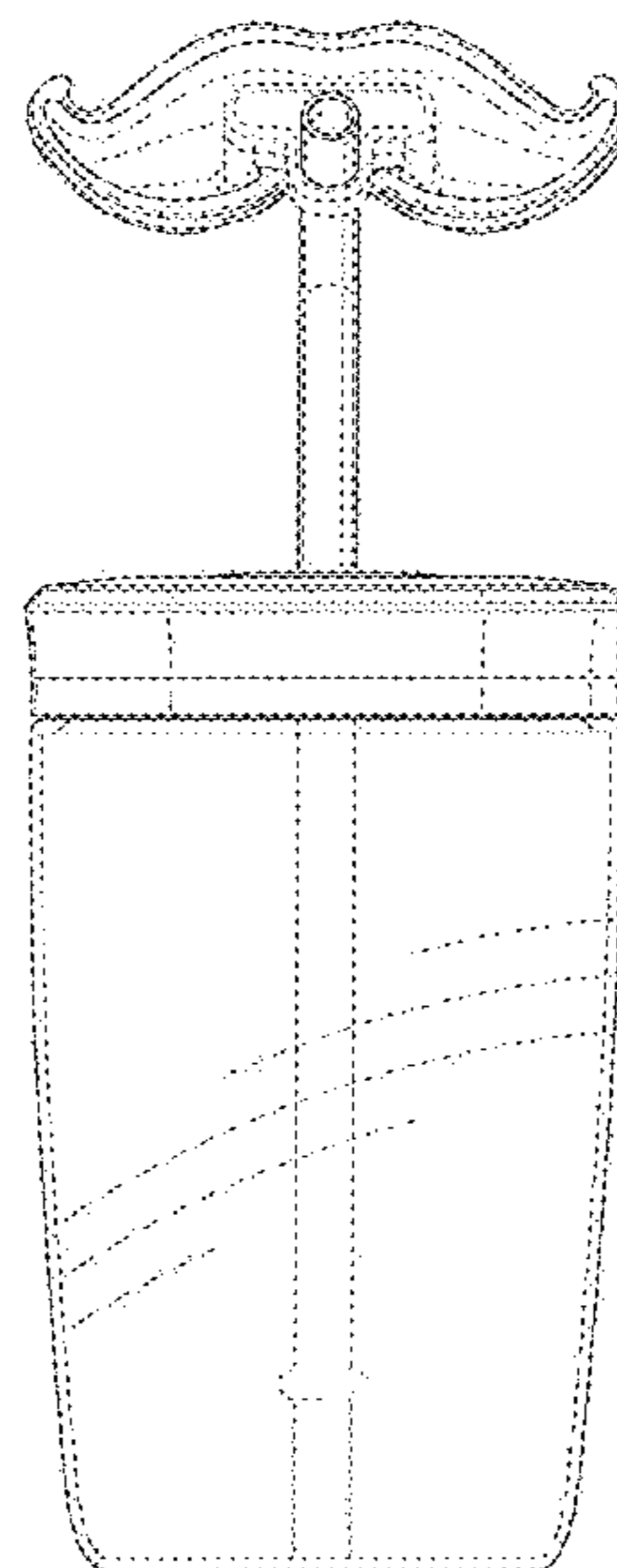
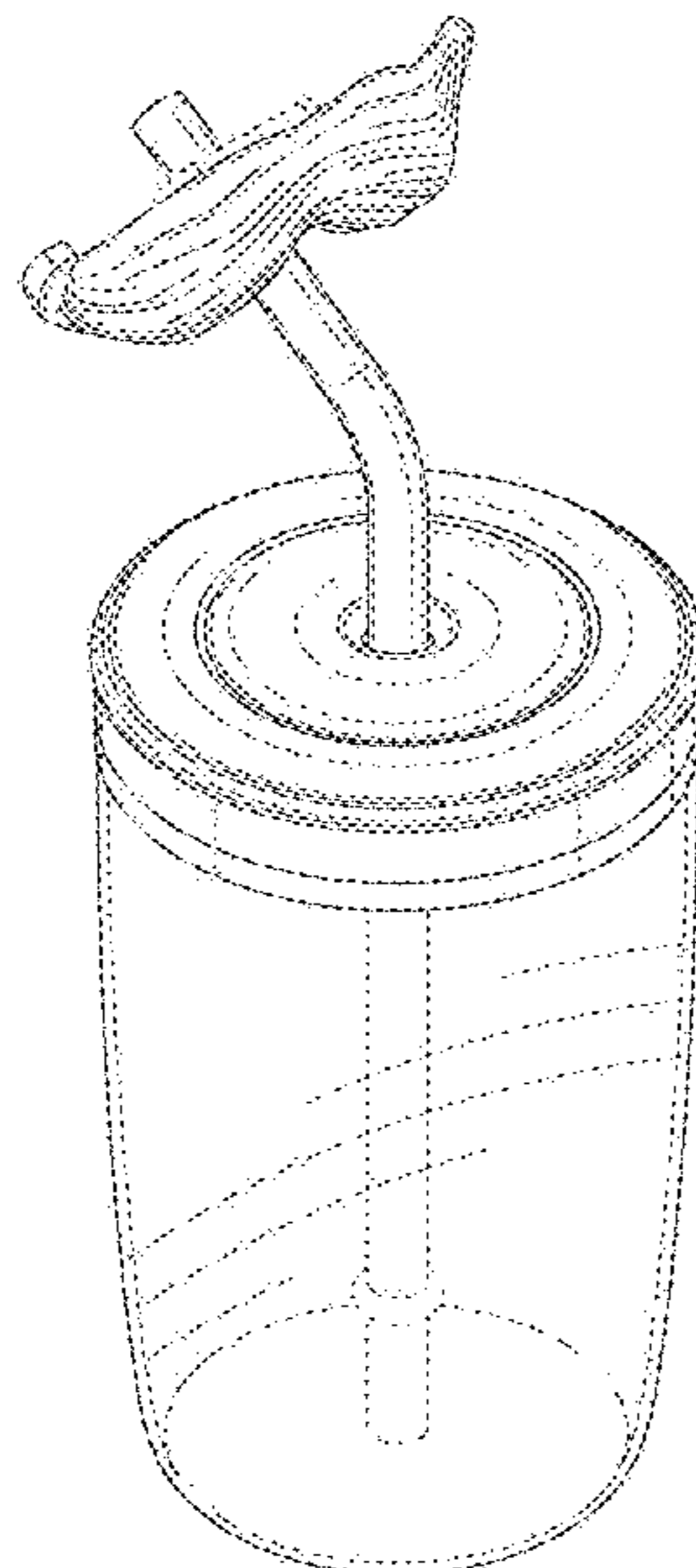
FIG. 1 is a perspective view of a tumbler with straw showing our new design;

FIG. 2 is a front view thereof; and,

FIG. 3 is a rear view thereof.

The broken lines in the drawing depict portions of the tumbler with straw that form no part of the claimed design.

1 Claim, 3 Drawing Sheets



(56)

References Cited

U.S. PATENT DOCUMENTS

2015/0265078 A1* 9/2015 Goosman A47G 19/2222
220/707

OTHER PUBLICATIONS

<https://www.cpsc.gov/Recalls/2016/Ignite-Recalls-Kids-Straw-Tumblers> Nov. 10, 2015.*
Design U.S. Appl. No. 29/535,394, filed Aug. 6, 2016 entitled
“Tumbler with Straw”, Inventor: Marjavis J. Matthis et al.
Design U.S. Appl. No. 29/535,410, filed Aug. 6, 2015 entitled
“Tumbler with Straw”, Inventor: Marjavis J. Matthis et al.
Design U.S. Appl. No. 29/535,428, filed Aug. 6, 2015 entitled
“Tumbler with Straw”, Inventor: Marjavis J. Matthis et al.
7 Eleven Slurpee, Tumbler with Straw, on or before Aug. 6, 2015.

* cited by examiner

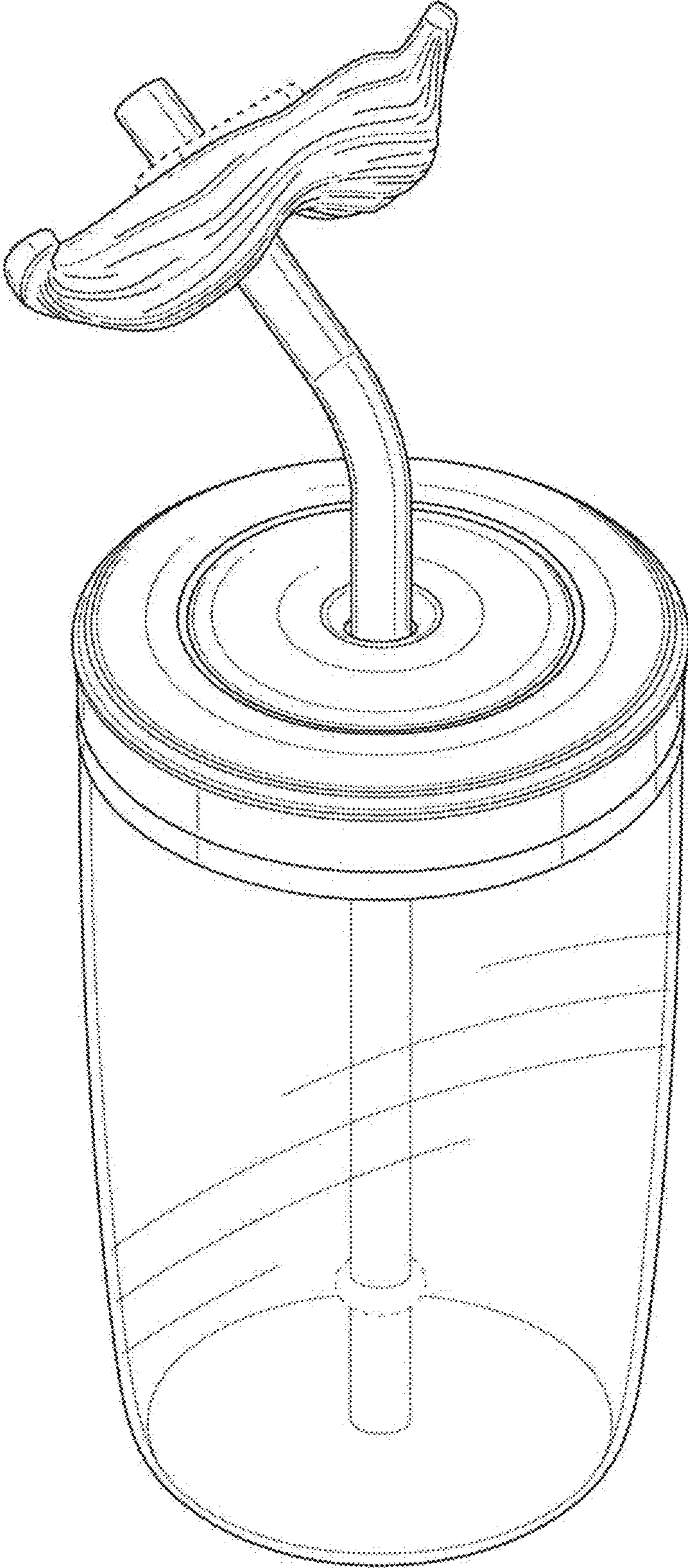


FIG. 1

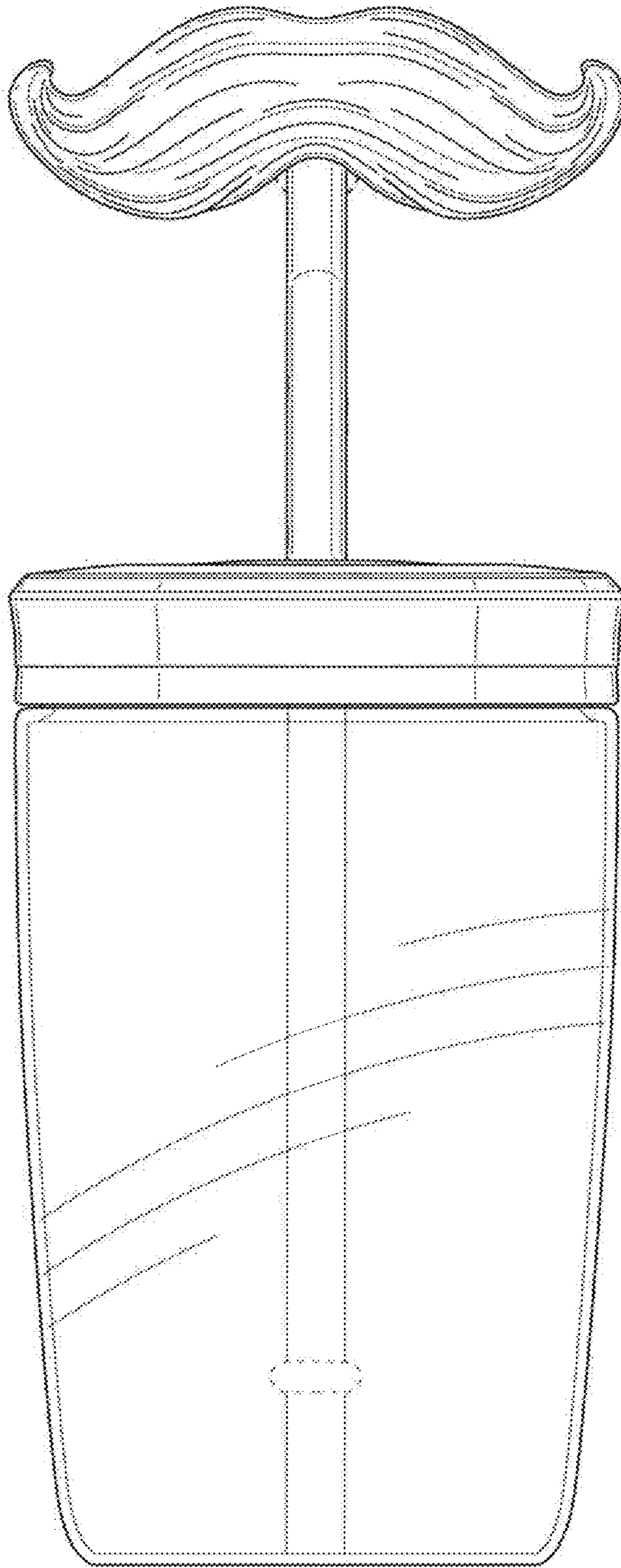


FIG. 2

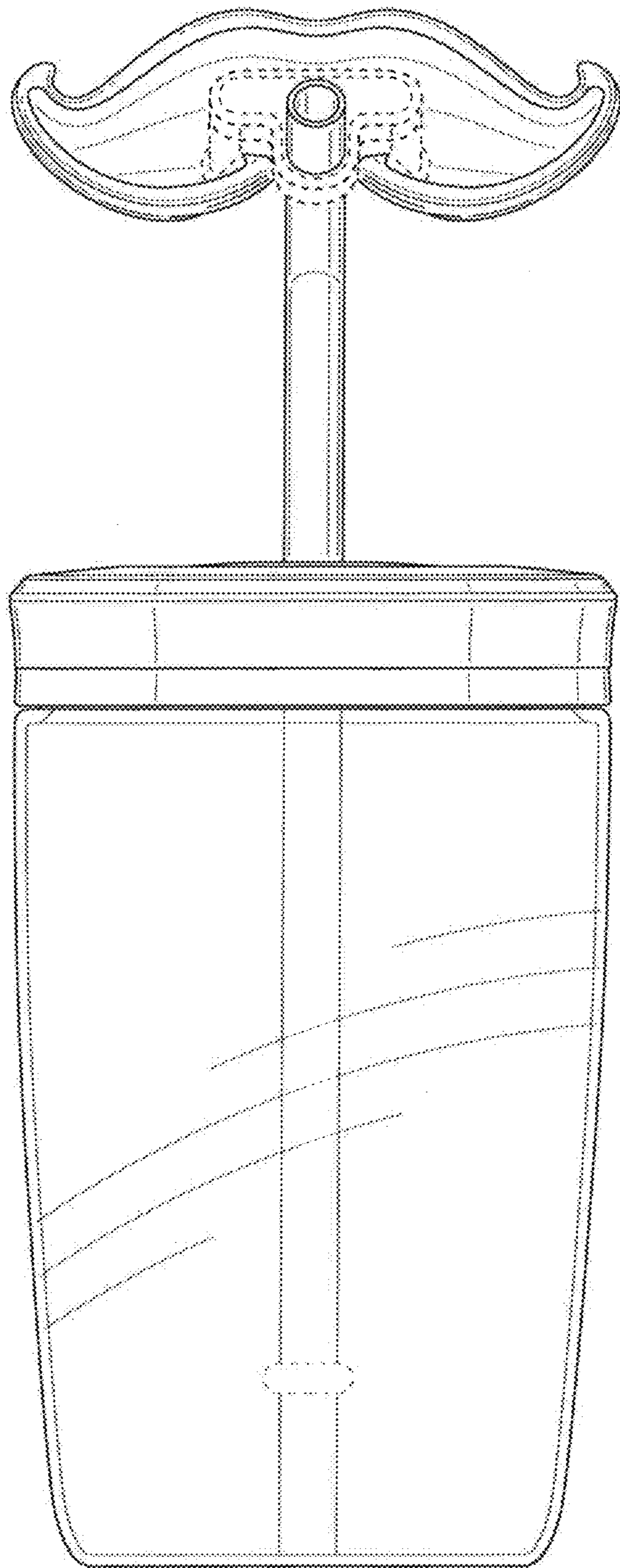


FIG. 3