



US00D781651S

(12) **United States Design Patent**  
**Matthis et al.**

(10) **Patent No.:** **US D781,651 S**  
(45) **Date of Patent:** **\*\* Mar. 21, 2017**

- (54) **TUMBLER WITH STRAW**
- (71) Applicant: **Ignite USA, LLC**, Chicago, IL (US)
- (72) Inventors: **Marjavis J. Matthis**, Chicago, IL (US);  
**Bryan Washburn**, Buffalo Grove, IL (US); **Robert Coon**, Chicago, IL (US)
- (73) Assignee: **Ignite USA, LLC**, Chicago, IL (US)
- (\*\*) Term: **15 Years**
- (21) Appl. No.: **29/535,394**
- (22) Filed: **Aug. 6, 2015**
- (51) **LOC (10) Cl.** ..... **07-01**
- (52) **U.S. Cl.**  
USPC ..... **D7/507; D7/517; D7/510; D7/300.2**
- (58) **Field of Classification Search**  
USPC ..... D7/507, 509, 510, 511, 213, 514, 515,  
D7/300.2, 301, 387, 392, 392.1, 393, 394,  
D7/396.1, 396.2, 396.3, 397, 398, 399,  
D7/400, 708.1, 619.1, 633, 635, 523, 532,  
D7/517; D24/194, 197, 198; D9/624,  
D9/435, 436, 440; 220/703, 592.16,  
220/592.17, 705, 706, 707; D10/119.2,  
D10/119.3  
CPC ..... A47G 19/06; A47G 19/02; A47G 19/065;  
A47G 19/2216; A47G 19/2222; B65D  
47/066  
See application file for complete search history.

(56) **References Cited**

**U.S. PATENT DOCUMENTS**

D269,462 S	*	6/1983	Qually	.....	D21/661
D271,052 S	*	10/1983	Qually	.....	D21/661
D298,841 S	*	12/1988	Green	.....	D1/108
D337,641 S	*	7/1993	Luckey	.....	D24/195
D352,416 S	*	11/1994	Dutton	.....	D7/300.2

D392,560 S	*	3/1998	Lee	.....	D7/514
D403,136 S	*	12/1998	Robles	.....	D1/106
D415,568 S	*	10/1999	Bernd	.....	D24/195
D422,395 S	*	4/2000	Robles	.....	426/104
D450,127 S	*	11/2001	Trujillo	.....	D24/194
D470,943 S	*	2/2003	Adams	.....	D24/195
D490,637 S	*	6/2004	Diaz	.....	D7/300.2
6,921,179 B2	*	7/2005	Diak Ghanem	...	A47G 19/2227 206/217
D592,505 S	*	5/2009	Mobley	.....	D7/300.2
D701,425 S	*	3/2014	Pearson	.....	D7/510
D720,183 S	*	12/2014	Chiang	.....	D7/510
D721,920 S	*	2/2015	Coon	.....	D7/510
D728,311 S	*	5/2015	Eyal	.....	D7/510
D730,740 S	*	6/2015	Seymour	.....	D9/624
D736,034 S	*	8/2015	Spivey	.....	D7/510
D740,073 S	*	10/2015	Zorovich	.....	D7/507
D761,118 S	*	7/2016	Seymour	.....	D9/624
D769,069 S	*	10/2016	Sanbar	.....	D7/507

(Continued)

**OTHER PUBLICATIONS**

<http://www.giftandheart.com/2012/12/25/gift-heart> Dec. 25, 2012.\*

(Continued)

*Primary Examiner* — Marianne Pandozzi

*Assistant Examiner* — Jae Liang

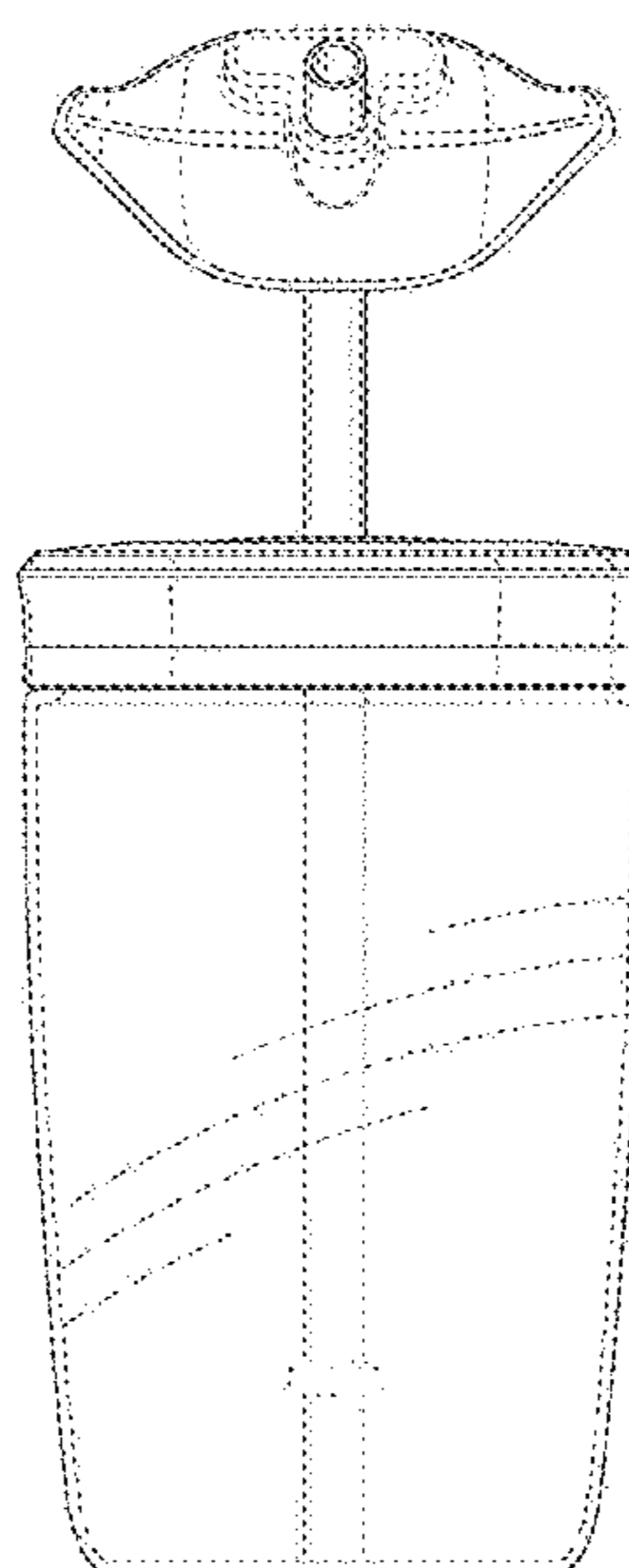
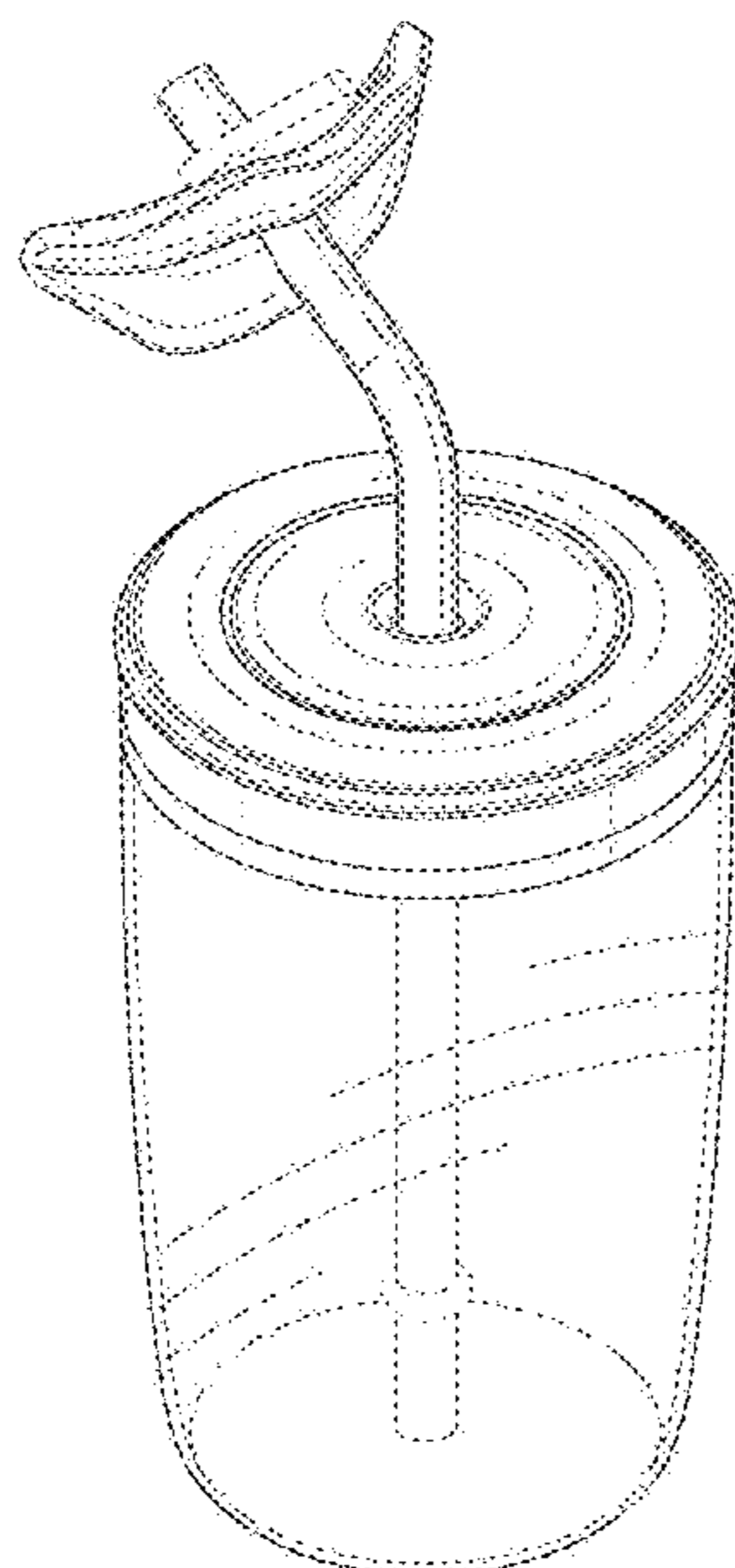
(57) **CLAIM**

The ornamental design for a “tumbler with straw,” as shown and described.

**DESCRIPTION**

FIG. 1 is a perspective view of a tumbler with straw showing our new design;  
FIG. 2 is a front view thereof; and,  
FIG. 3 is a rear view thereof.  
The broken lines in the drawing depict portions of the tumbler with straw that form no part of the claimed design.

**1 Claim, 3 Drawing Sheets**



(56)

**References Cited**

U.S. PATENT DOCUMENTS

2012/0247998 A1\* 10/2012 Wahl ..... B65D 1/265  
206/459.5  
2015/0265078 A1\* 9/2015 Goosman ..... A47G 19/2222  
220/707

OTHER PUBLICATIONS

<https://www.cpsc.gov/Recalls/2016/ignite-Recalls-Kids-Straw-Tumblers> Nov. 10, 2015.\*  
Design U.S. Appl. No. 29/535,402, filed Aug. 6, 2016 entitled  
“Tumbler with Straw”, Inventor: Marjavis J. Matthis et al.  
Design U.S. Appl. No. 29/535,410, filed Aug. 6, 2015 entitled  
“Tumbler with Straw”, Inventor: Marjavis J. Matthis et al.  
Design U.S. Appl. No. 29/535,428, filed Aug. 6, 2015 entitled  
“Tumbler with Straw”, Inventor: Marjavis J. Matthis et al.  
7 Eleven Slurpee, Tumbler with Straw, on or before Aug. 6, 2015.

\* cited by examiner

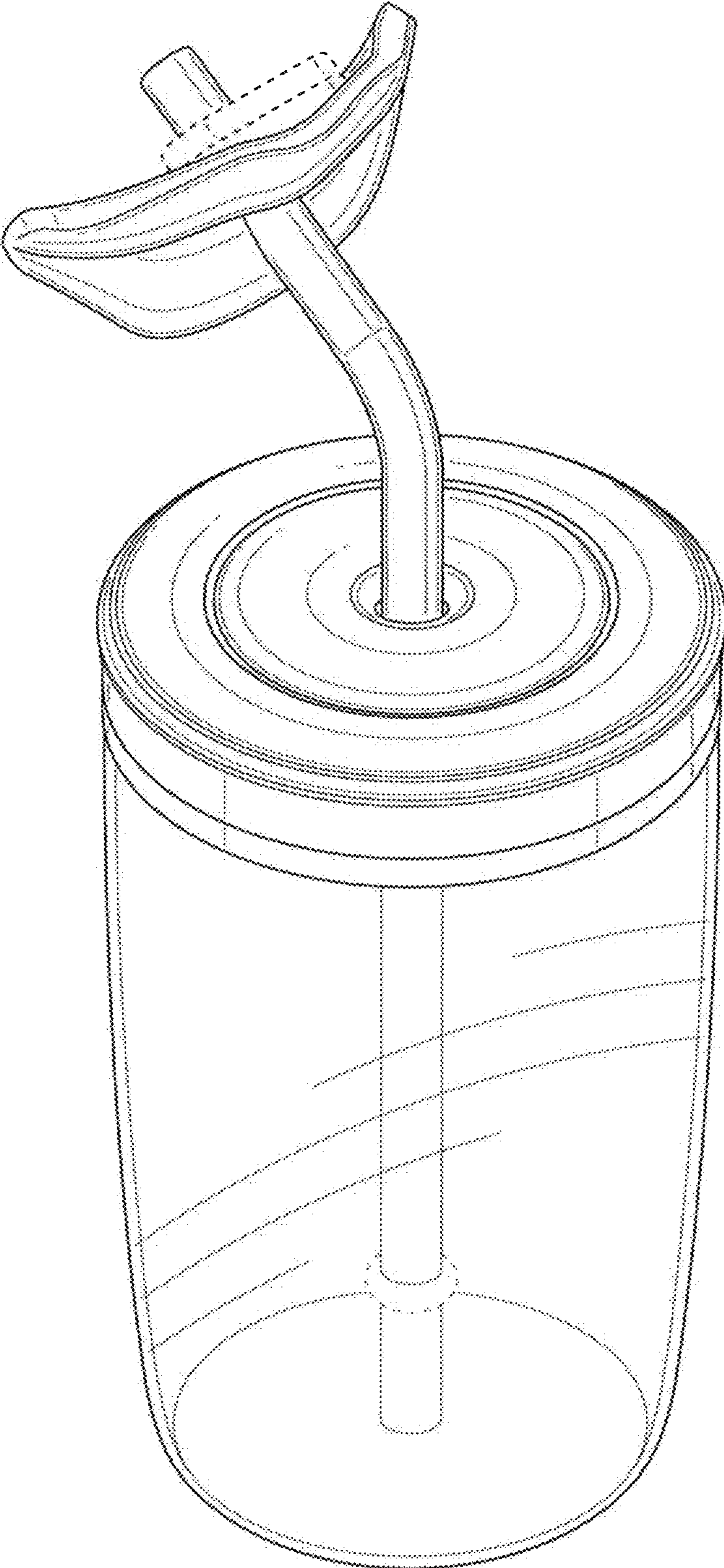


FIG. 1

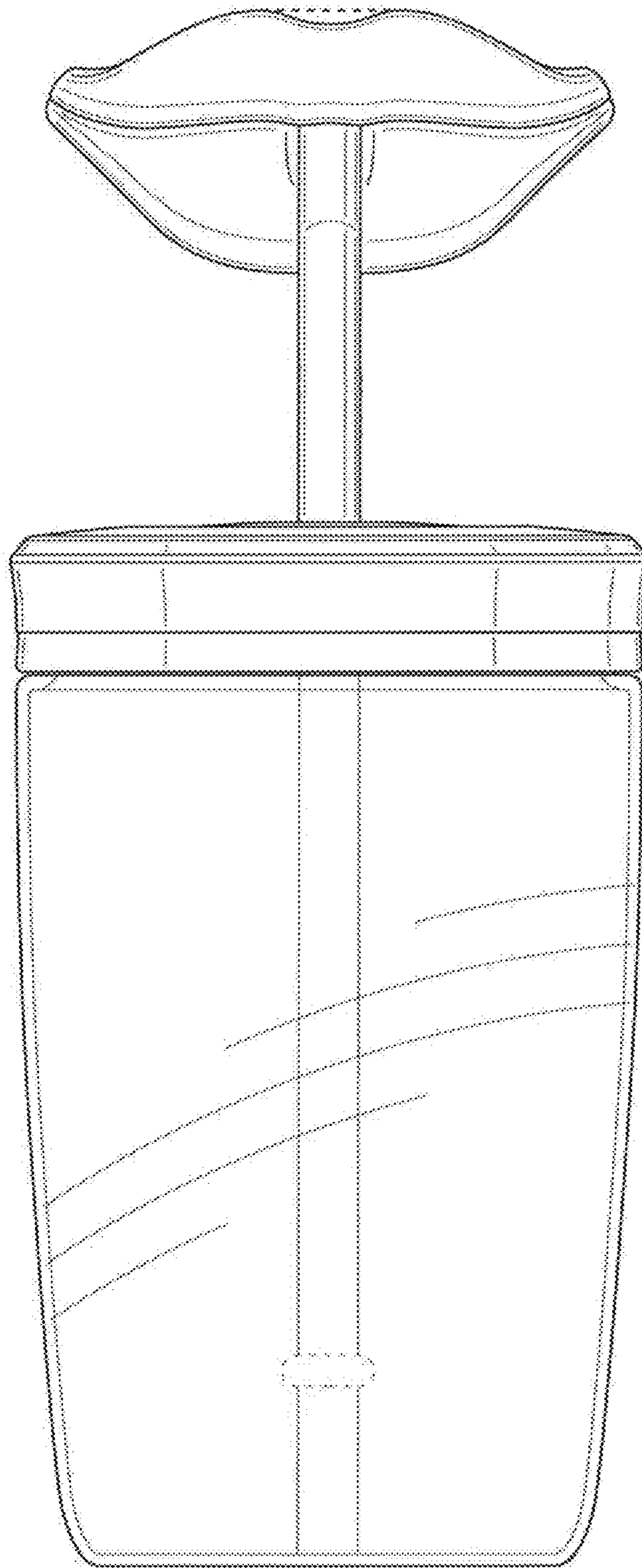


FIG. 2

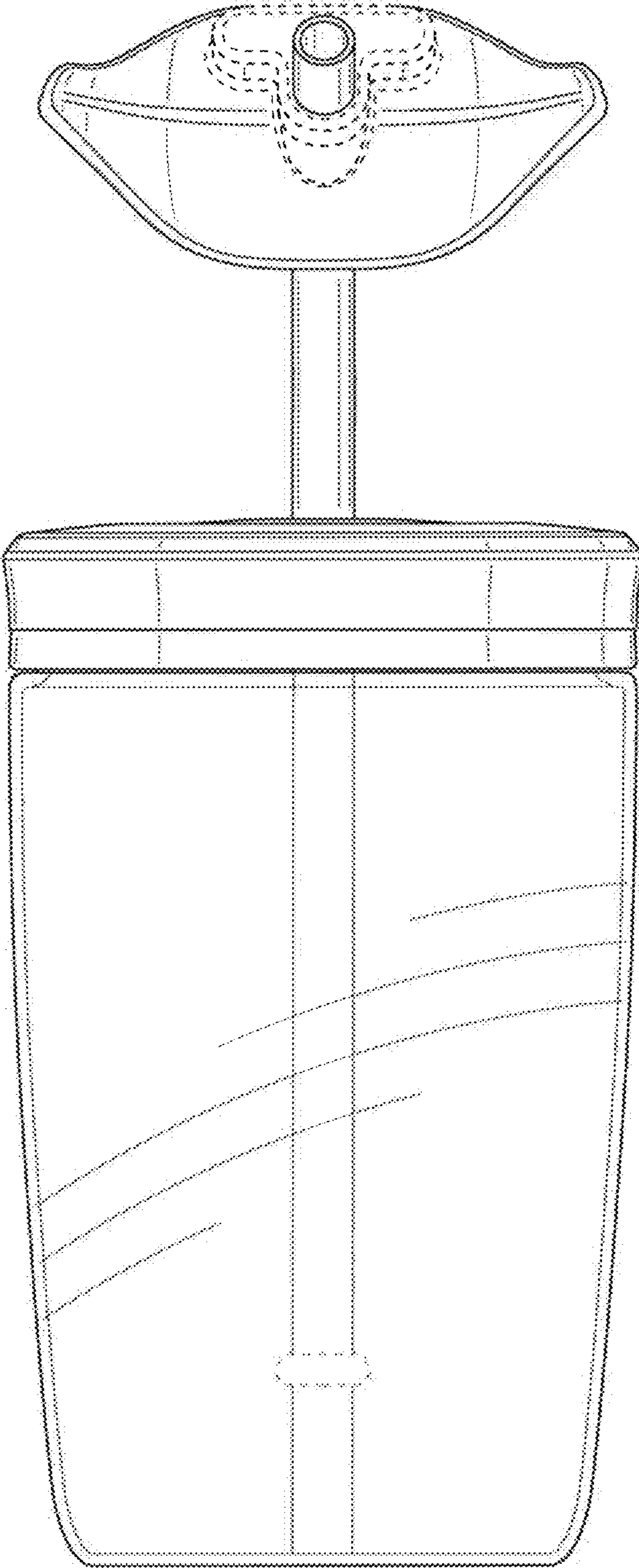


FIG. 3