



US00D781650S

(12) **United States Design Patent**
Kemker

(10) **Patent No.:** **US D781,650 S**
(45) **Date of Patent:** **** Mar. 21, 2017**

(54) **STIRRER**

B02C 13/1835; B28C 5/10; B28C 5/12;
B28C 5/14; B28C 5/16

(71) Applicant: **Vorwerk & Co. Interholding GmbH**,
Wuppertal (DE)

See application file for complete search history.

(72) Inventor: **Uwe Kemker**, Wuppertal (DE)

(56) **References Cited**

(73) Assignee: **Vorwerk & Co. Interholding GmbH**,
Wuppertal (DE)

U.S. PATENT DOCUMENTS

(**) Term: **15 Years**

D367,800 S * 3/1996 Littmann D7/376
5,875,706 A * 3/1999 Borger A47J 43/087
241/101.01

(21) Appl. No.: **29/567,573**

D421,201 S 2/2000 Crescenzi et al.
D421,546 S 3/2000 Ekström

(Continued)

(22) Filed: **Jun. 10, 2016**

OTHER PUBLICATIONS

Related U.S. Application Data

Specification, Claim and Drawings of U.S. Appl. No. 29/512,475,
filed Dec. 2, 2014.

(62) Division of application No. 29/510,103, filed on Nov.
25, 2014, now Pat. No. Des. 762,417.

Primary Examiner — Ricky Pham

(30) **Foreign Application Priority Data**

(74) *Attorney, Agent, or Firm* — Collard & Roe, P.C.

Sep. 3, 2014 (EM) 001420202

(51) **LOC (10) Cl.** **31-00**

(52) **U.S. Cl.**
USPC **D7/412**; D7/376; D7/378; D7/383;
D7/384

(57) **CLAIM**

The ornamental design for a stirrer, as shown and described.

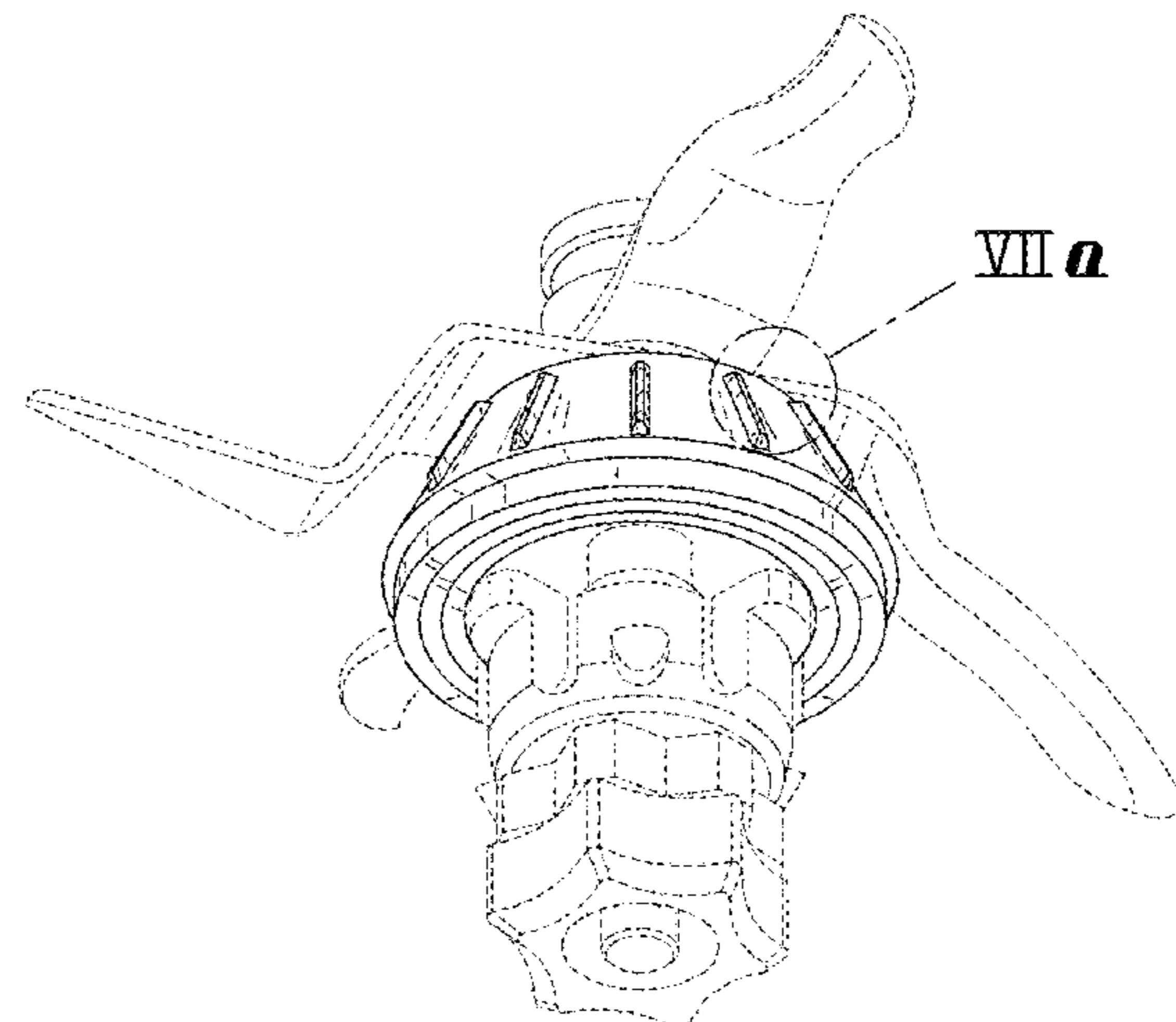
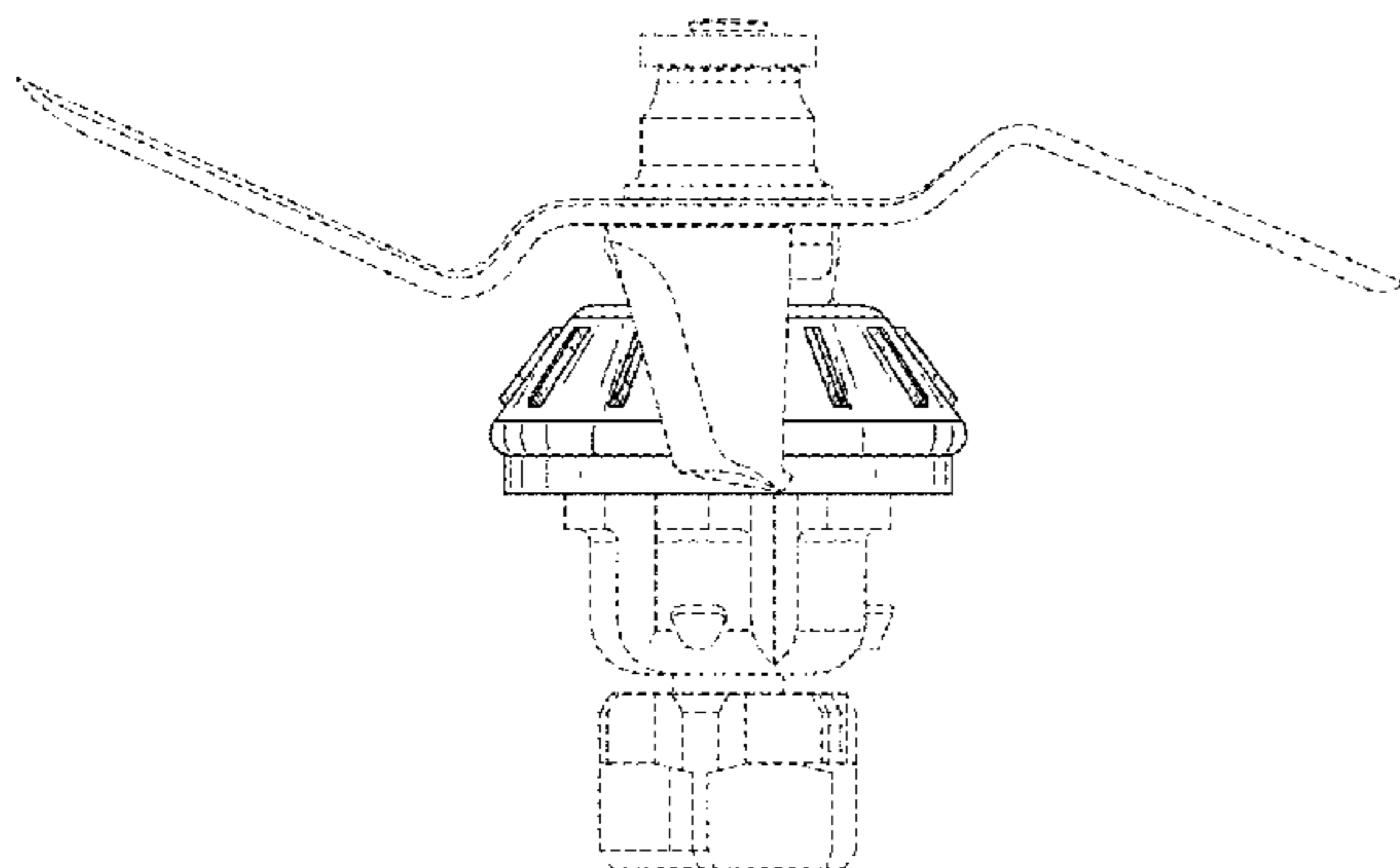
(58) **Field of Classification Search**

USPC D7/372, 376–386, 412–413, 602, 629,
D7/665–666, 669, 679, 693–694
CPC A21C 1/02; A21C 1/04; A23N 1/00; A23N
1/02; A47J 43/04; A47J 43/25; A47J
43/27; A47J 43/042; A47J 43/044; A47J
43/046; A47J 43/075; A47J 43/0722;
A47J 43/0727; A47J 43/087; B01F 3/00;
B01F 3/0807; B01F 3/0853; B01F
7/0025; B01F 13/0059; B01F 13/0064;
B02C 1/08; B02C 2/04; B02C 4/42;
B02C 4/142; B02C 4/143; B02C 4/423;

DESCRIPTION

FIG. 1 is a front view of a stirrer, showing my new design;
FIG. 2 is a side view thereof;
FIG. 3 is a rear view thereof;
FIG. 4 is another side view thereof, opposite the side view
of FIG. 2;
FIG. 5 is top view thereof;
FIG. 6 is a bottom view thereof;
FIG. 7 is a bottom and side perspective view thereof; and,
FIG. 7a is an enlarged detail of circle VIIa of FIG. 7.
The features shown in broken lines show environmental
structure only and form no part of the claimed design.

1 Claim, 4 Drawing Sheets



(56)

References Cited

U.S. PATENT DOCUMENTS

6,834,818	B2 *	12/2004	Lee	A47J 43/0722 241/282.2
D623,890	S	9/2010	Metaxatos et al.	
D624,359	S *	9/2010	Schleinker	D7/384
D647,365	S	10/2011	Audette et al.	
D668,115	S	10/2012	Potter	
D682,030	S *	5/2013	Ezechukwu	D7/376
D684,817	S	6/2013	Leavitt	
D700,013	S	2/2014	Chu	
8,721,164	B2	5/2014	Audette	
D708,902	S	7/2014	Audette	
D709,324	S	7/2014	Guo et al.	
D709,325	S	7/2014	Guo et al.	
8,800,905	B2 *	8/2014	Lee	A47J 43/042 241/282.1
8,950,930	B2 *	2/2015	Wang	A47J 43/046 366/205
D729,573	S	5/2015	Moon et al.	
9,107,539	B2 *	8/2015	Rosenzweig	A47J 43/0722
D761,056	S *	7/2016	Kemker	D7/376
2004/0046075	A1 *	3/2004	Gursel	A47J 43/0722 241/292.1
2008/0198691	A1	8/2008	Behar et al.	
2009/0260236	A1 *	10/2009	Lin	A47J 43/0722 30/265
2012/0080549	A1 *	4/2012	Rukavina	B01F 7/0025 241/282.1
2012/0314533	A1 *	12/2012	Wang	A47J 43/046 366/292

* cited by examiner

Fig. 1

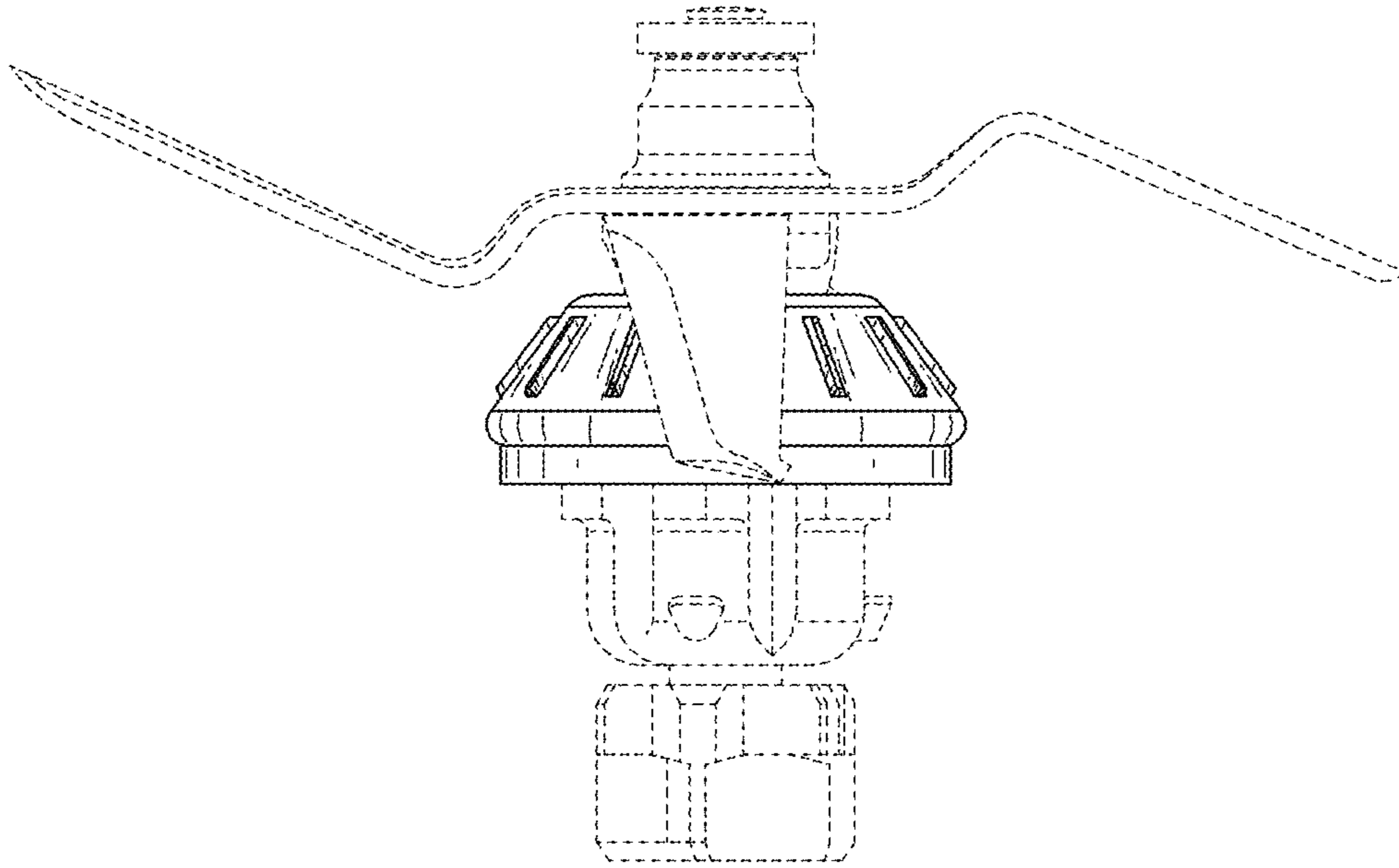


Fig. 2

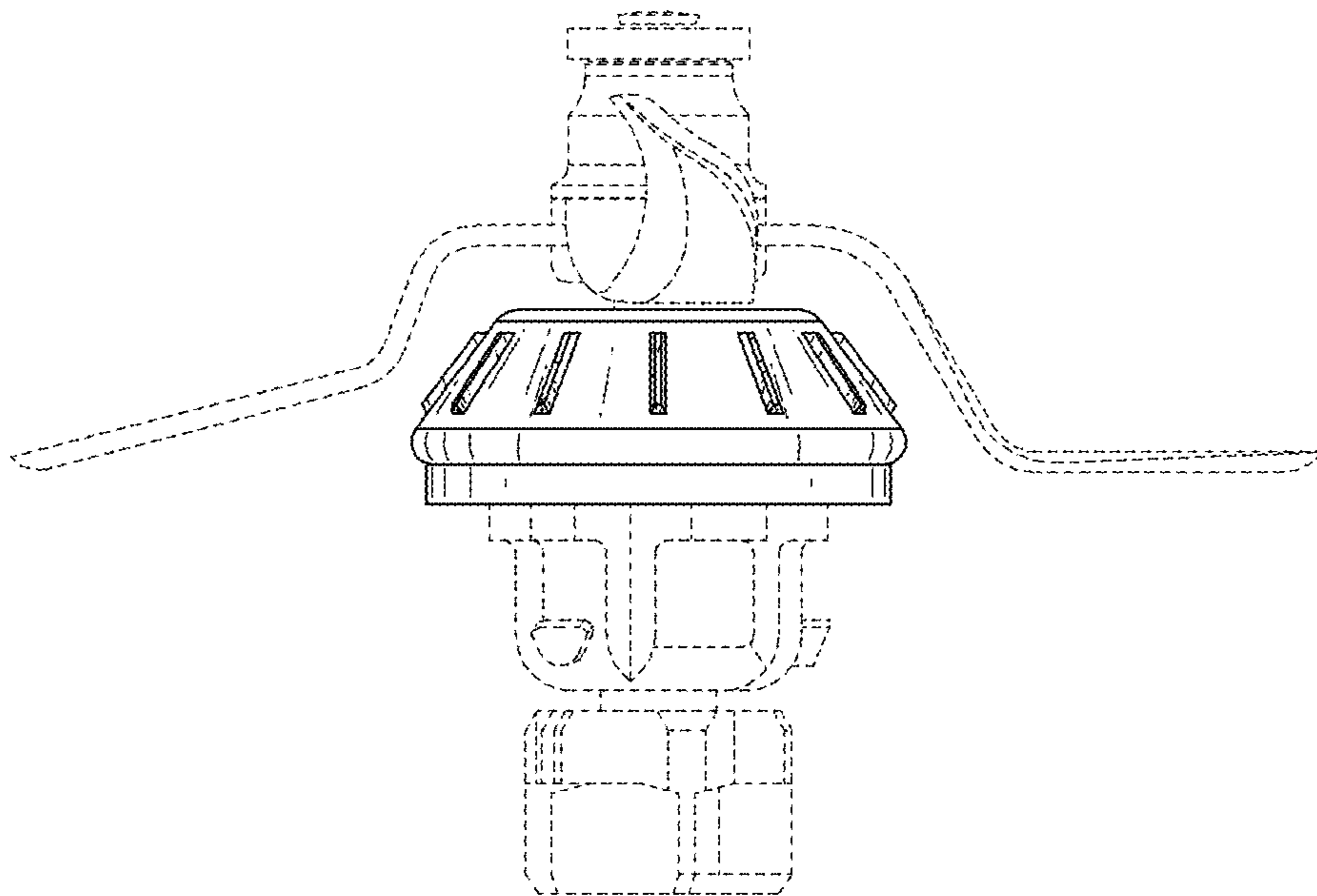


Fig. 3

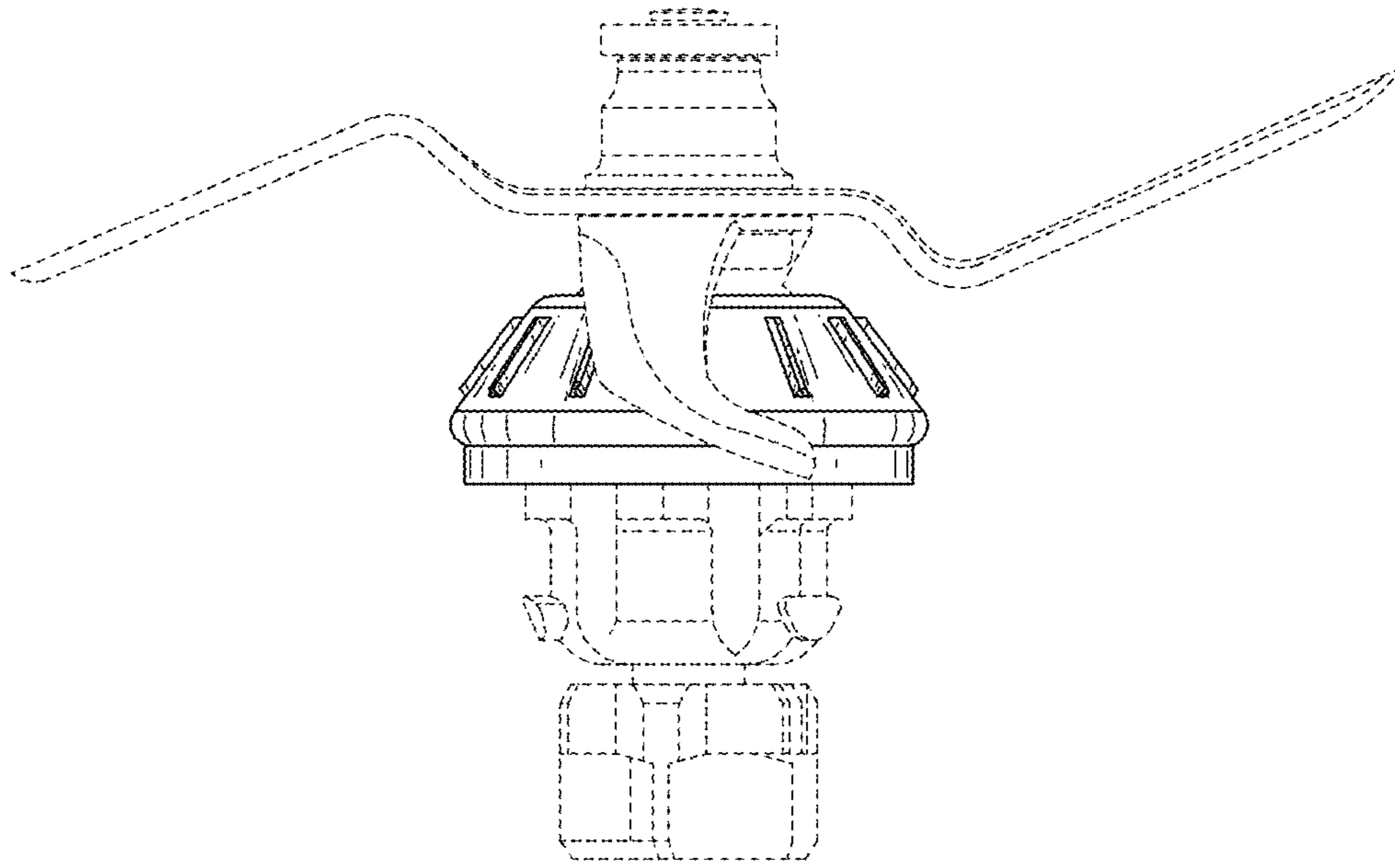


Fig. 4

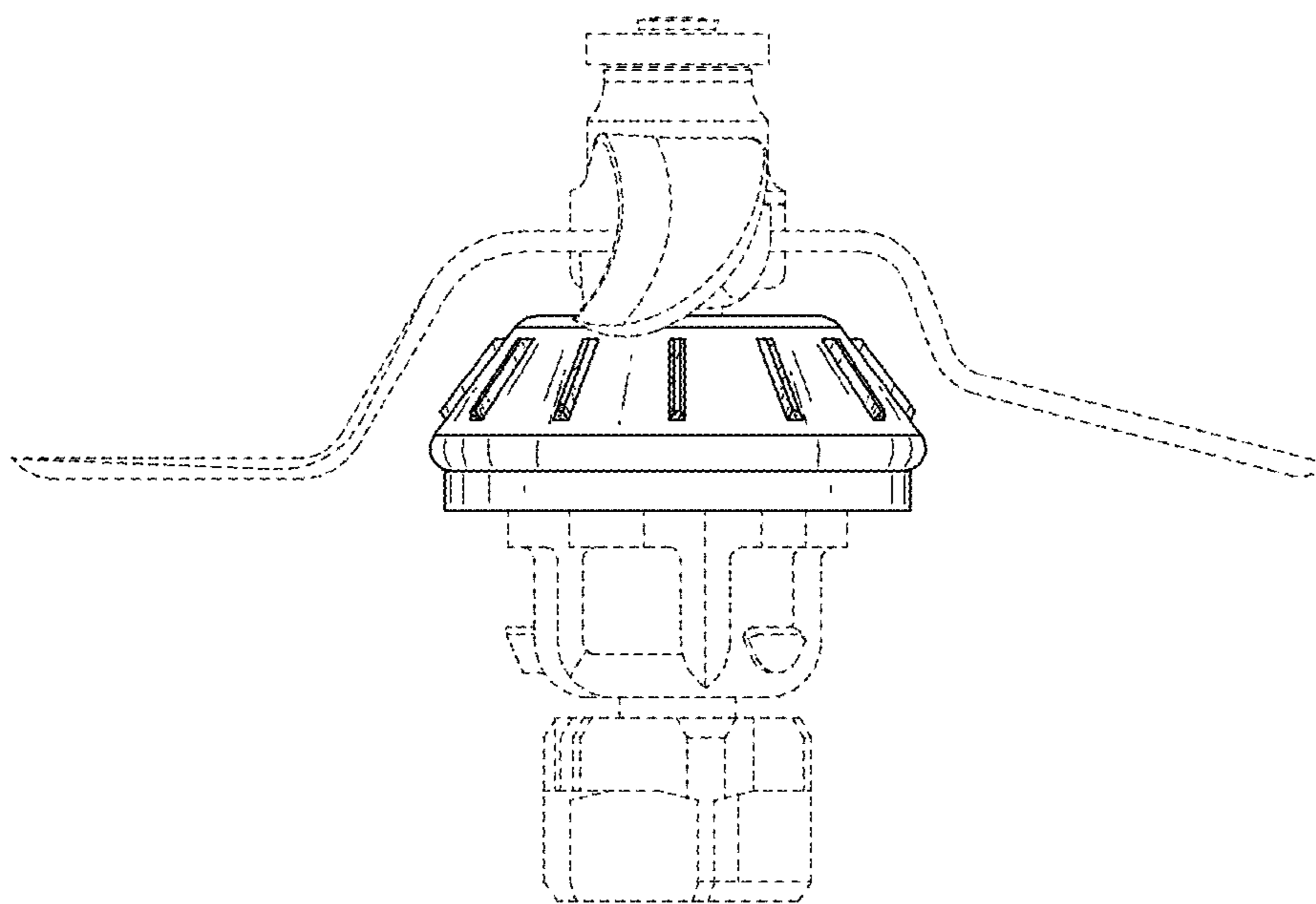


Fig. 5

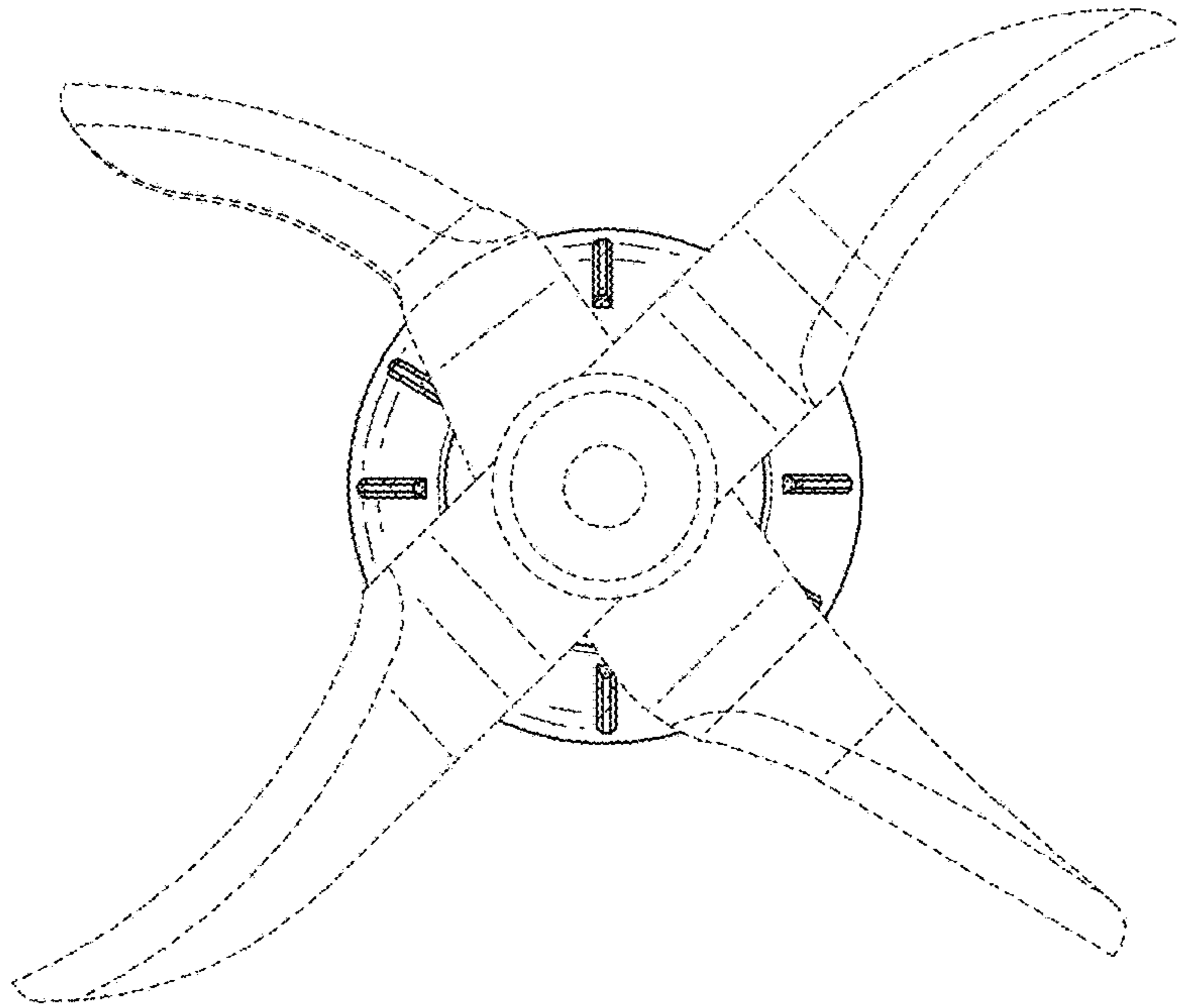


Fig. 6

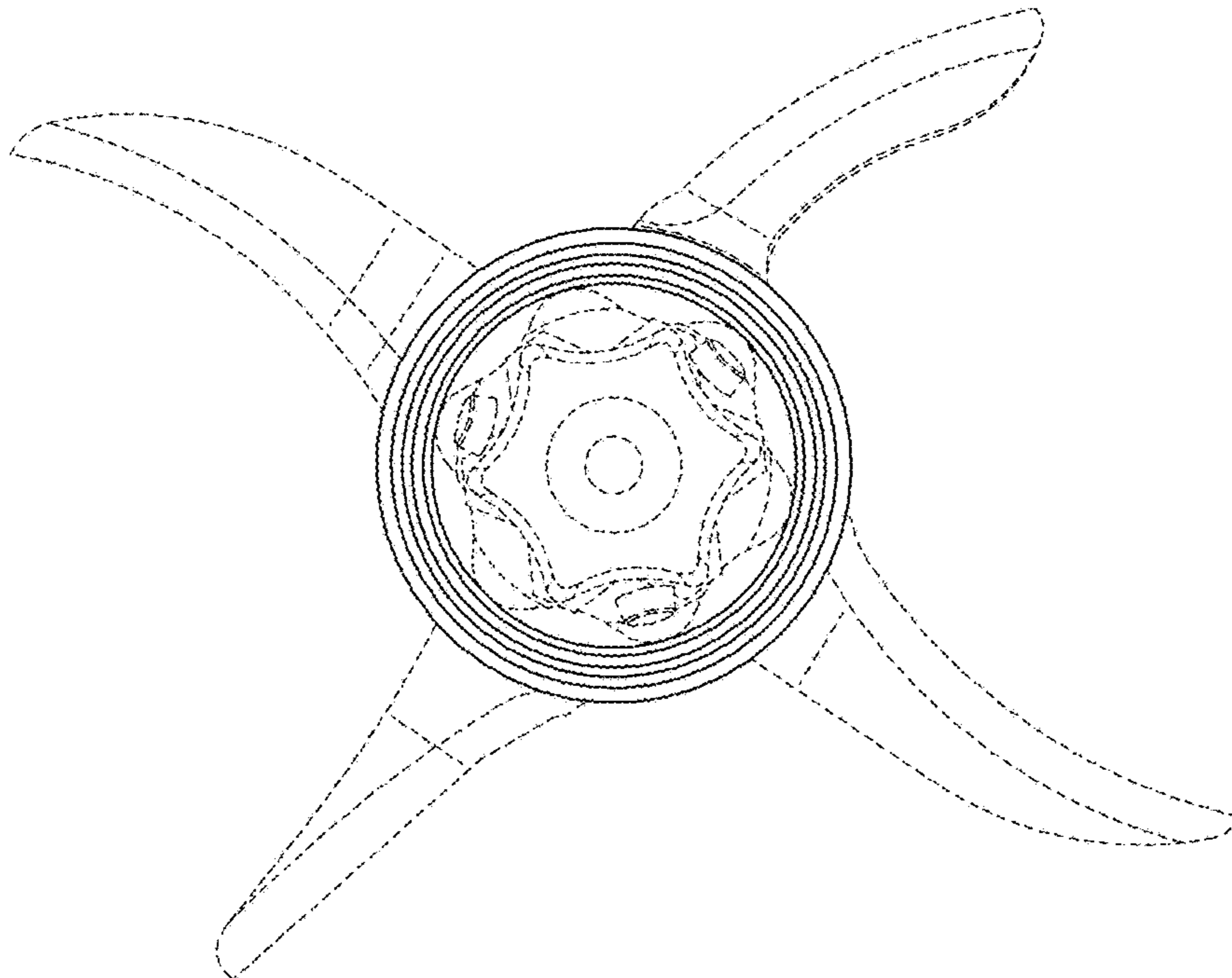


Fig. 7

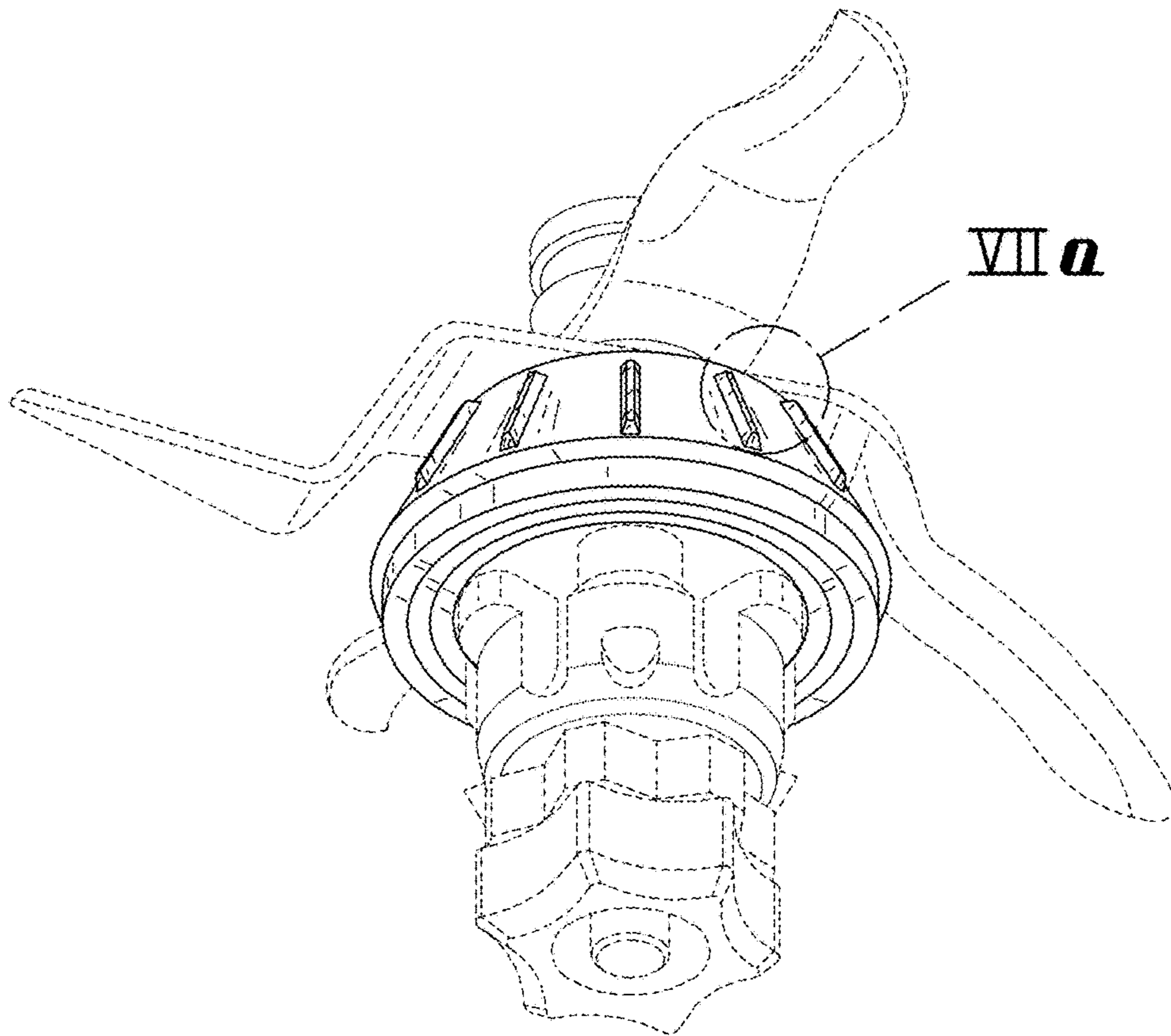


Fig. 7a

