



US00D781647S

(12) **United States Design Patent**
Bogazzi

(10) **Patent No.:** **US D781,647 S**
(45) **Date of Patent:** **** Mar. 21, 2017**

- (54) **COOKER CARRIER**
- (71) Applicant: **Marco Bogazzi**, Marietta, GA (US)
- (72) Inventor: **Marco Bogazzi**, Marietta, GA (US)
- (73) Assignee: **The Big Green Egg, Inc.**, Atlanta, GA (US)
- (**) Term: **15 Years**
- (21) Appl. No.: **29/540,723**
- (22) Filed: **Sep. 27, 2015**
- (51) **LOC (10) Cl.** **07-02**
- (52) **U.S. Cl.**
USPC **D7/402**
- (58) **Field of Classification Search**
USPC .. D7/409, 401, 401.1, 402, 600.1, 602, 407,
D7/354, 403, 355, 360, 505, 543, 545,
D7/548, 554, 539, 504, 599, 560, 563,
D7/564, 367, 604; 220/630, 912, 675;
D23/206; D32/54
See application file for complete search history.

D369,507 S *	5/1996	Tinius	D7/355
D413,765 S *	9/1999	Adler	D7/402
D416,169 S *	11/1999	Sarnoff	D7/388
D433,272 S *	11/2000	Park	D7/355
D503,584 S *	4/2005	White	A47J 37/0623 D7/355

(Continued)

Primary Examiner — Robin V Webster
Assistant Examiner — Rachel Voorhies
 (74) *Attorney, Agent, or Firm* — Merchant & Gould PC;
 R. Stevan Coursey

(57) **CLAIM**

The ornamental design for a cooker carrier, as shown and described.

DESCRIPTION

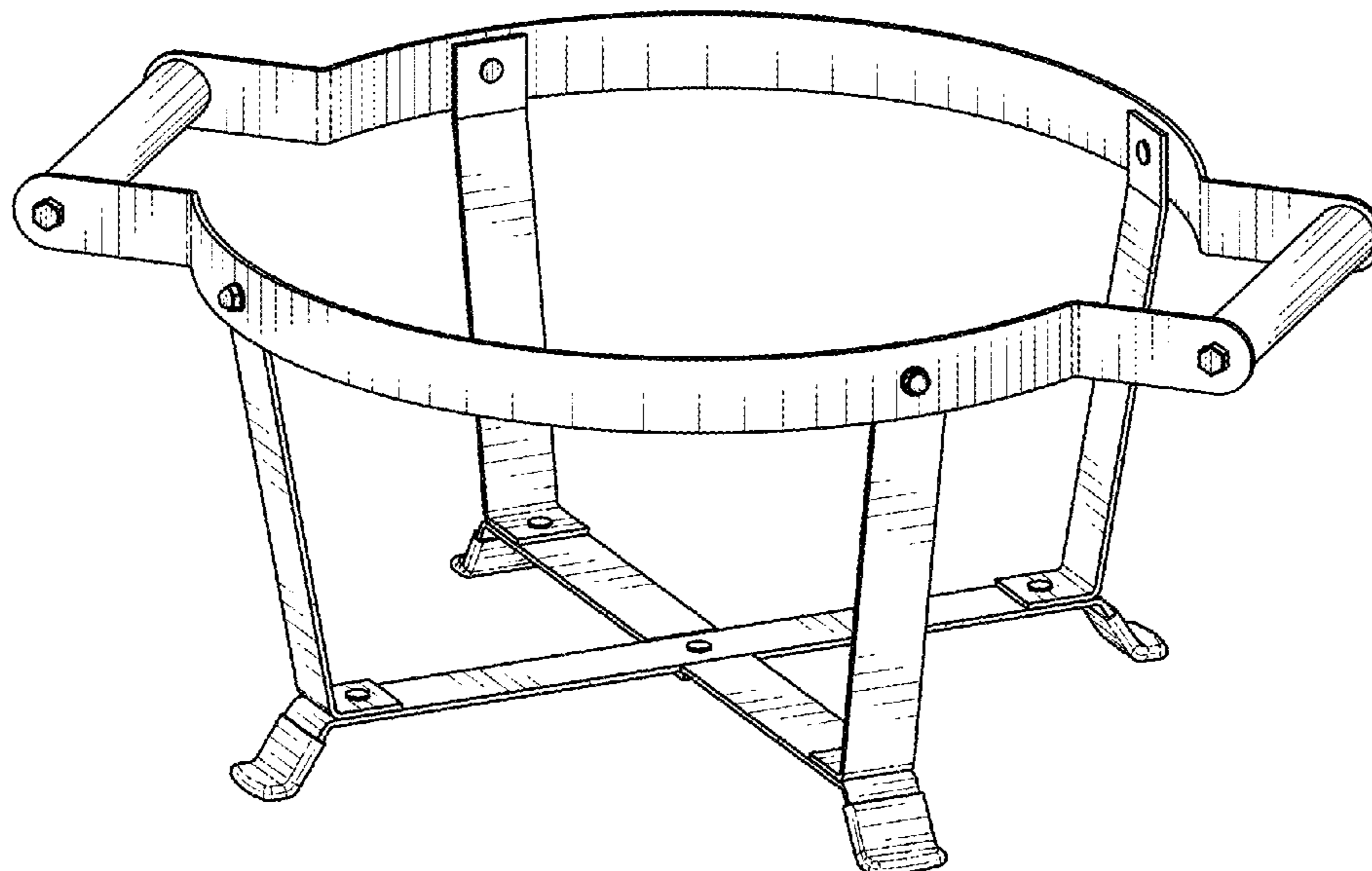
FIG. 1 is a front perspective view of my cooker carrier according to my design;
 FIG. 2 is a front elevation view of the cooker carrier according to my design, wherein the back elevation view of the cooker carrier is a mirror image thereof;
 FIG. 3 is a right side elevation view of the cooker carrier according to my design, wherein the left side elevation view of the cooker carrier is a mirror image thereof;
 FIG. 4 is a top plan view of the cooker carrier according to my design;
 FIG. 5 is a bottom plan view of the cooker carrier according to my design; and,
 FIG. 6 is a front perspective view of my cooker carrier according to my design with a cooker present therein.
 The broken line showing of the cooker in FIG. 6 depicts environment structure only and forms no part of the claimed design.

(56) **References Cited**

U.S. PATENT DOCUMENTS

D133,727 S *	9/1942	Reid	D32/54
3,194,462 A *	7/1965	Tupper	A45F 5/10 220/318
D253,930 S *	1/1980	Zinkgraf	D7/360
4,648,379 A *	3/1987	Fordyce	F24C 15/16 126/337 R
5,195,424 A *	3/1993	Guajaca	A47J 27/04 126/348
D339,266 S *	9/1993	Lockett	D7/323
D351,088 S *	10/1994	Hsiao	D7/354
5,503,062 A *	4/1996	Buff, IV	A47J 36/22 211/181.1

1 Claim, 4 Drawing Sheets



(56)

References Cited

U.S. PATENT DOCUMENTS

7,340,859	B2 *	3/2008	Palsrok	A01G 9/022 211/126.6
D615,355	S *	5/2010	Viahos	D7/409
D648,983	S *	11/2011	Zemel	D7/409
D650,225	S *	12/2011	Bartol	D7/354
D702,075	S *	4/2014	Burton	D7/354
D711,183	S *	8/2014	Bernheim	D7/354
D722,250	S *	2/2015	Borovicka	D7/409
D733,495	S *	7/2015	Tyson	D7/354
D734,094	S *	7/2015	Vogds	D7/354
D734,579	S *	7/2015	Brodeur	D32/54
D748,945	S *	2/2016	Chase	D7/545
D755,012	S *	5/2016	Zemel	D7/354
D763,625	S *	8/2016	Wright	D7/545

* cited by examiner

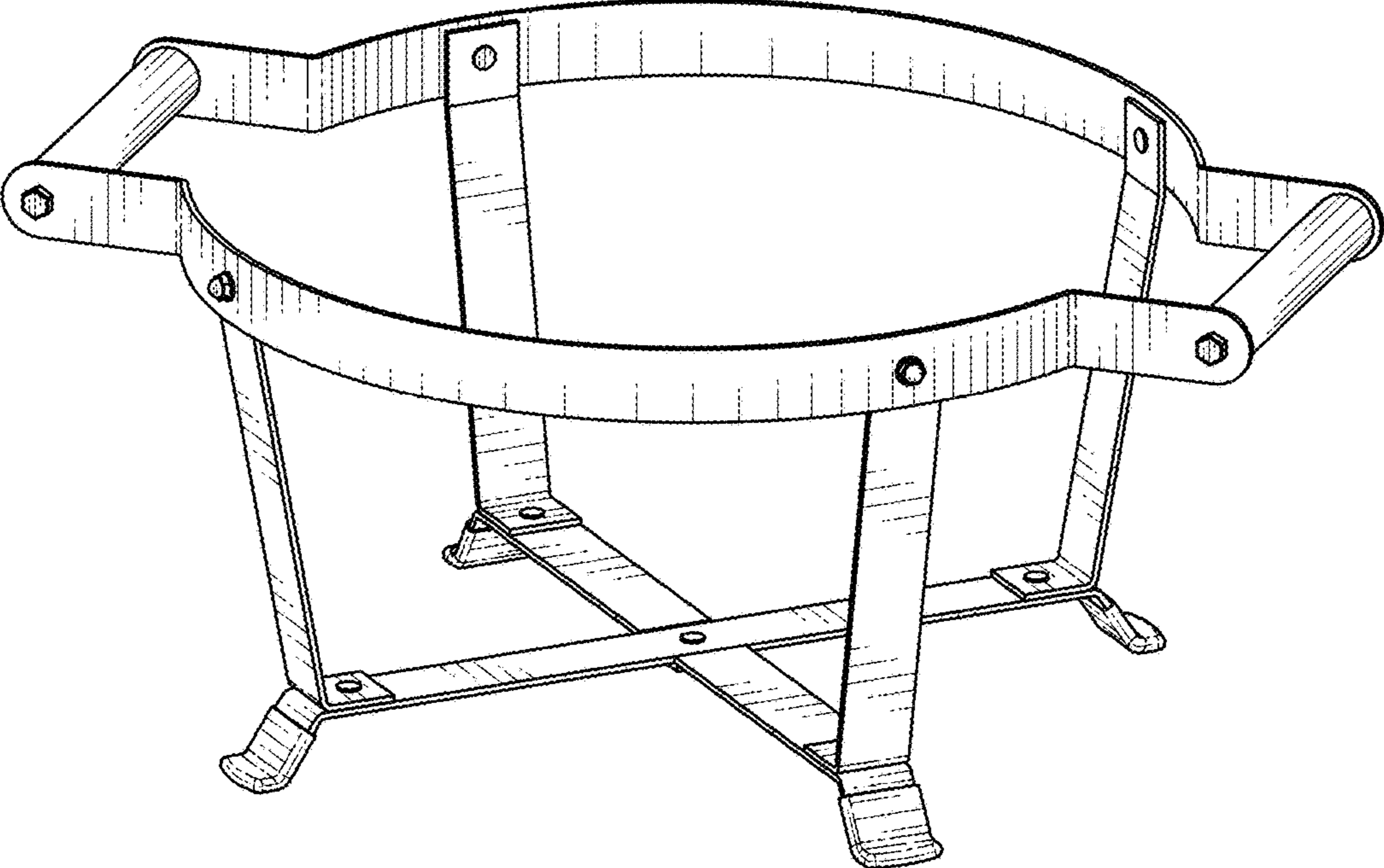


FIG. 1

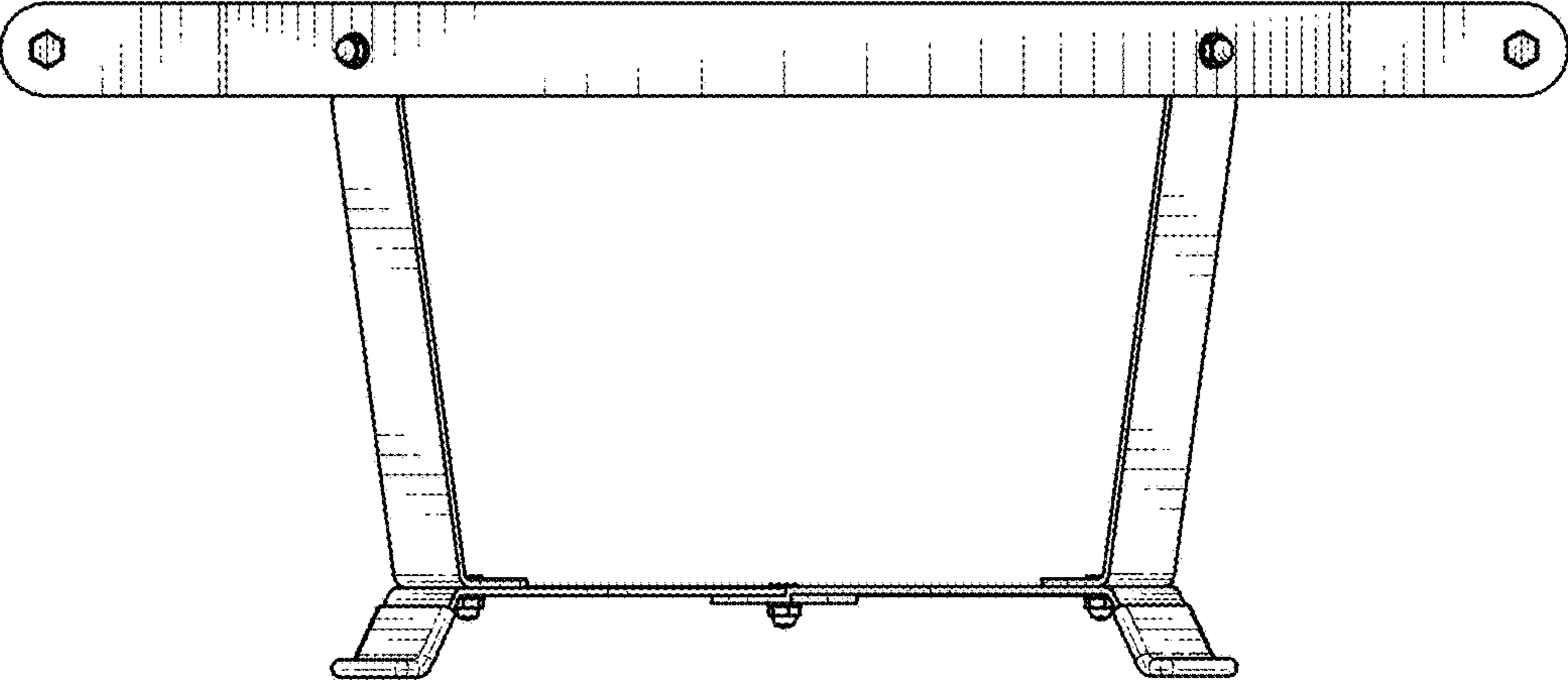


FIG. 2

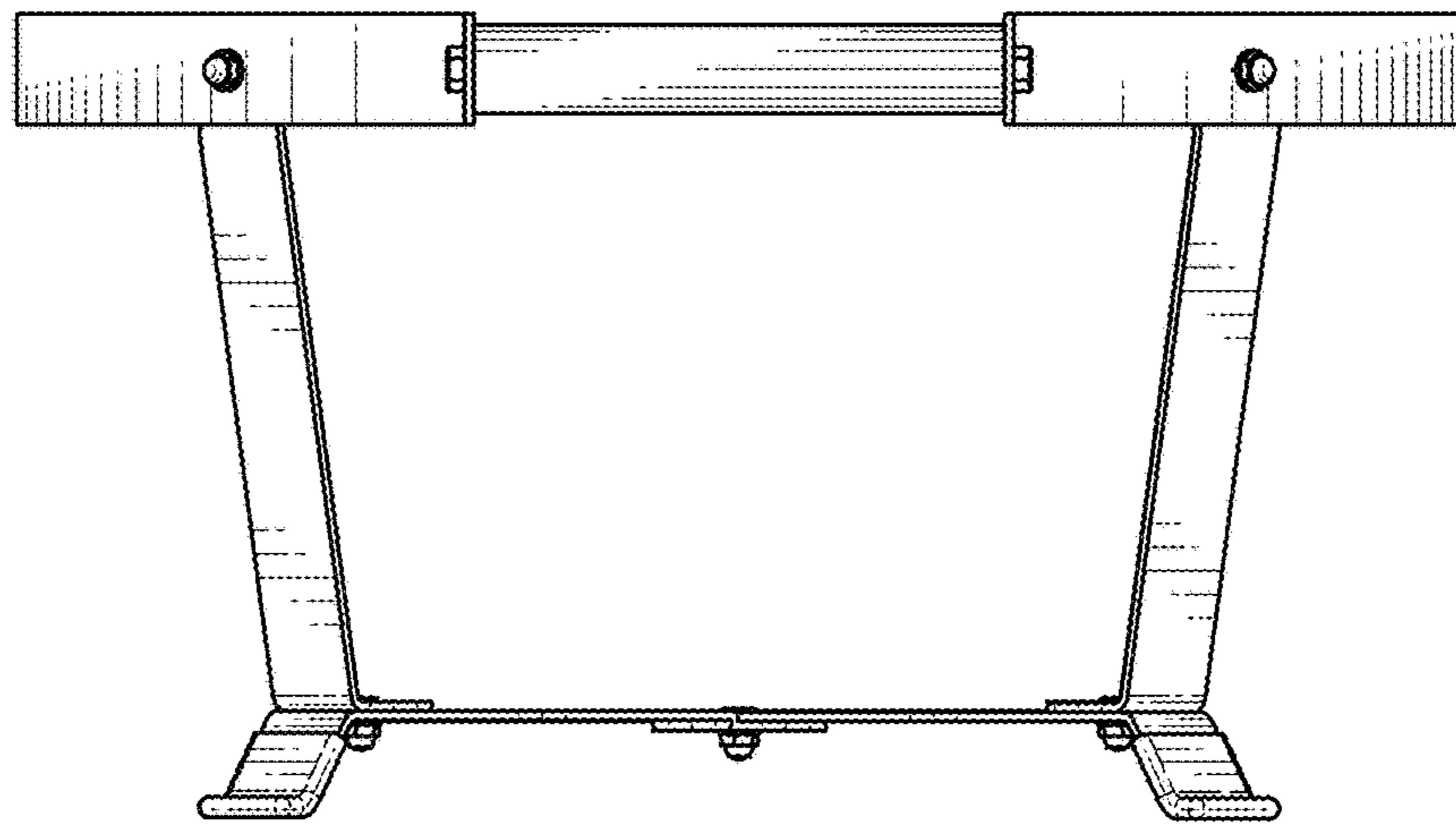


FIG. 3

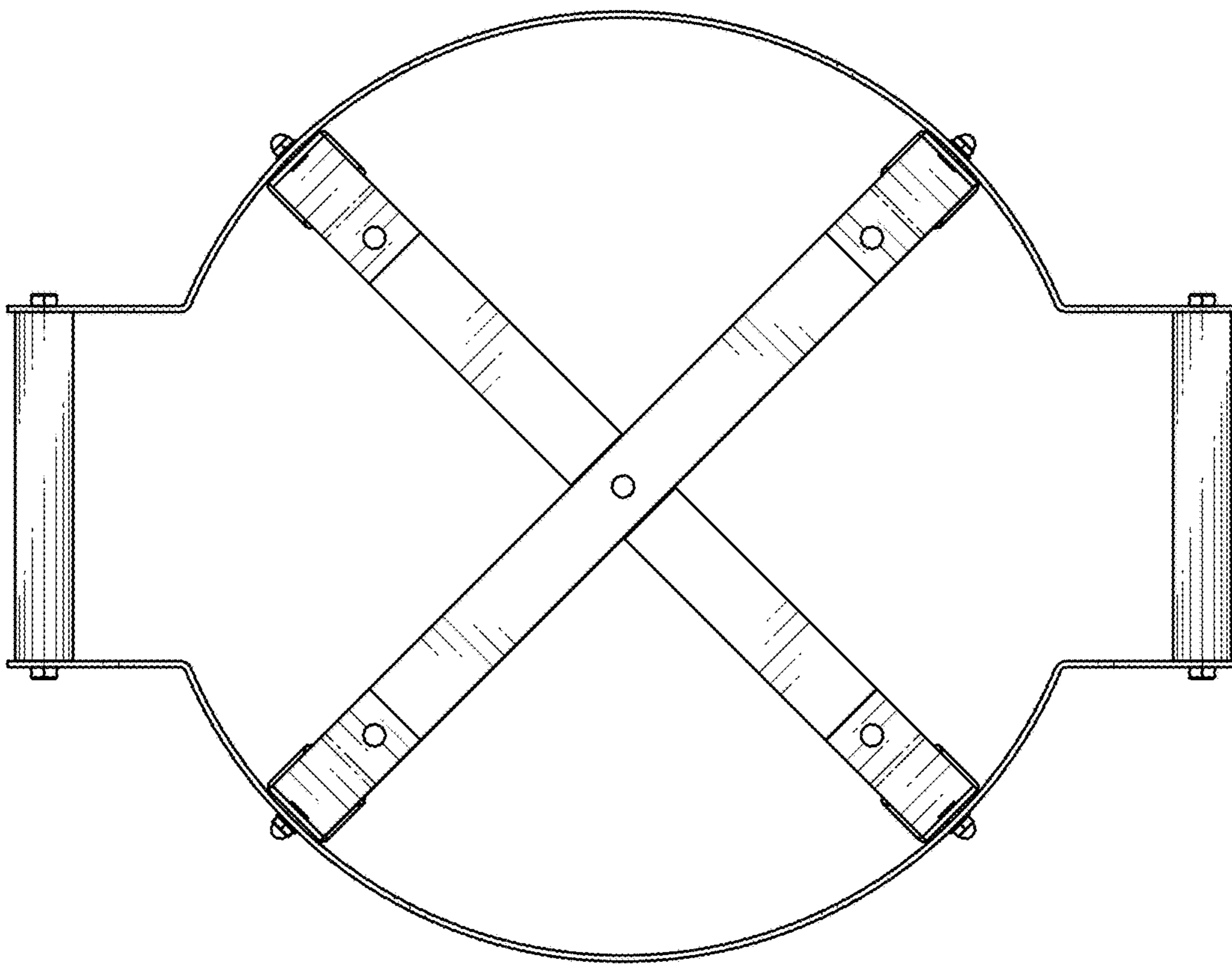


FIG. 4

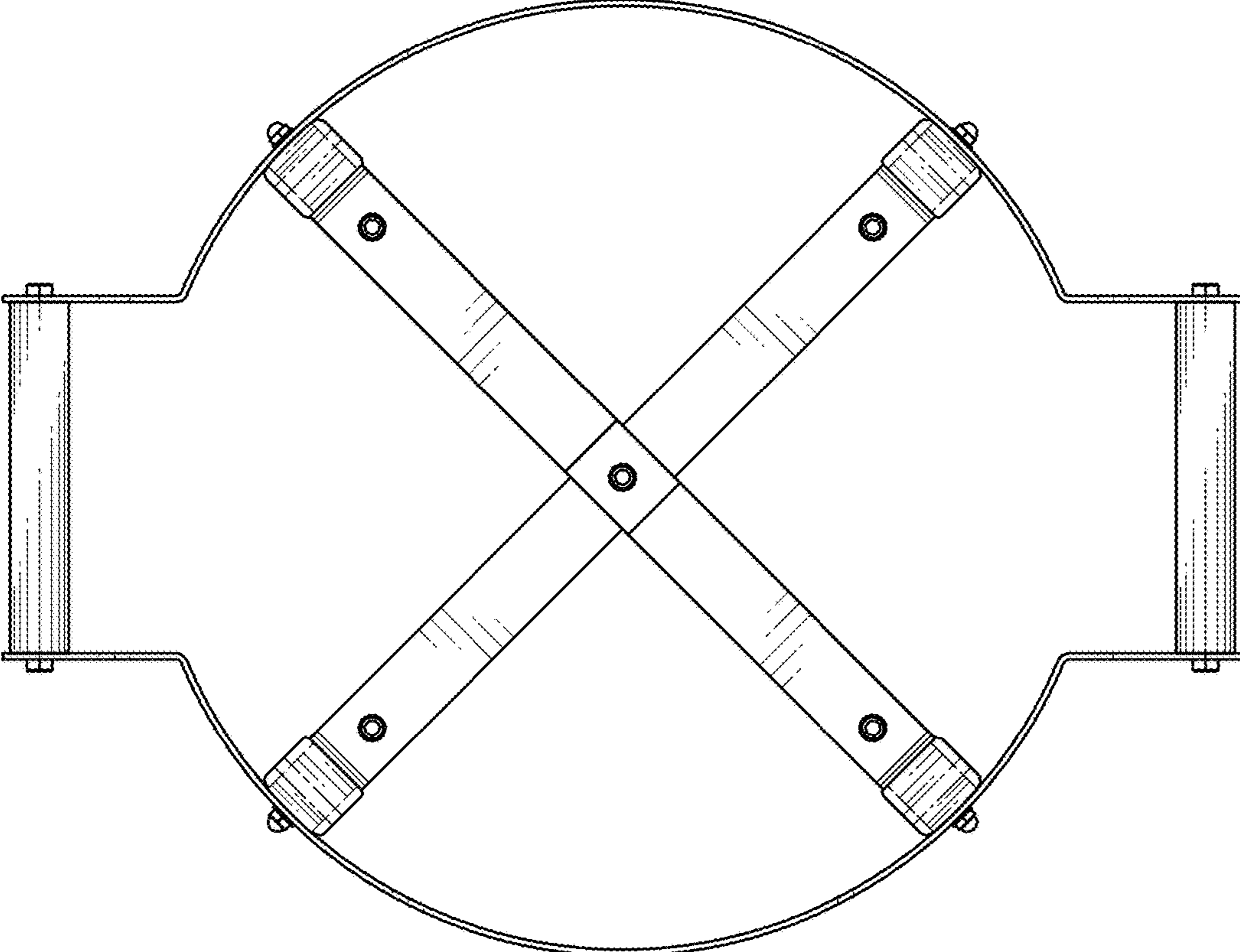


FIG. 5

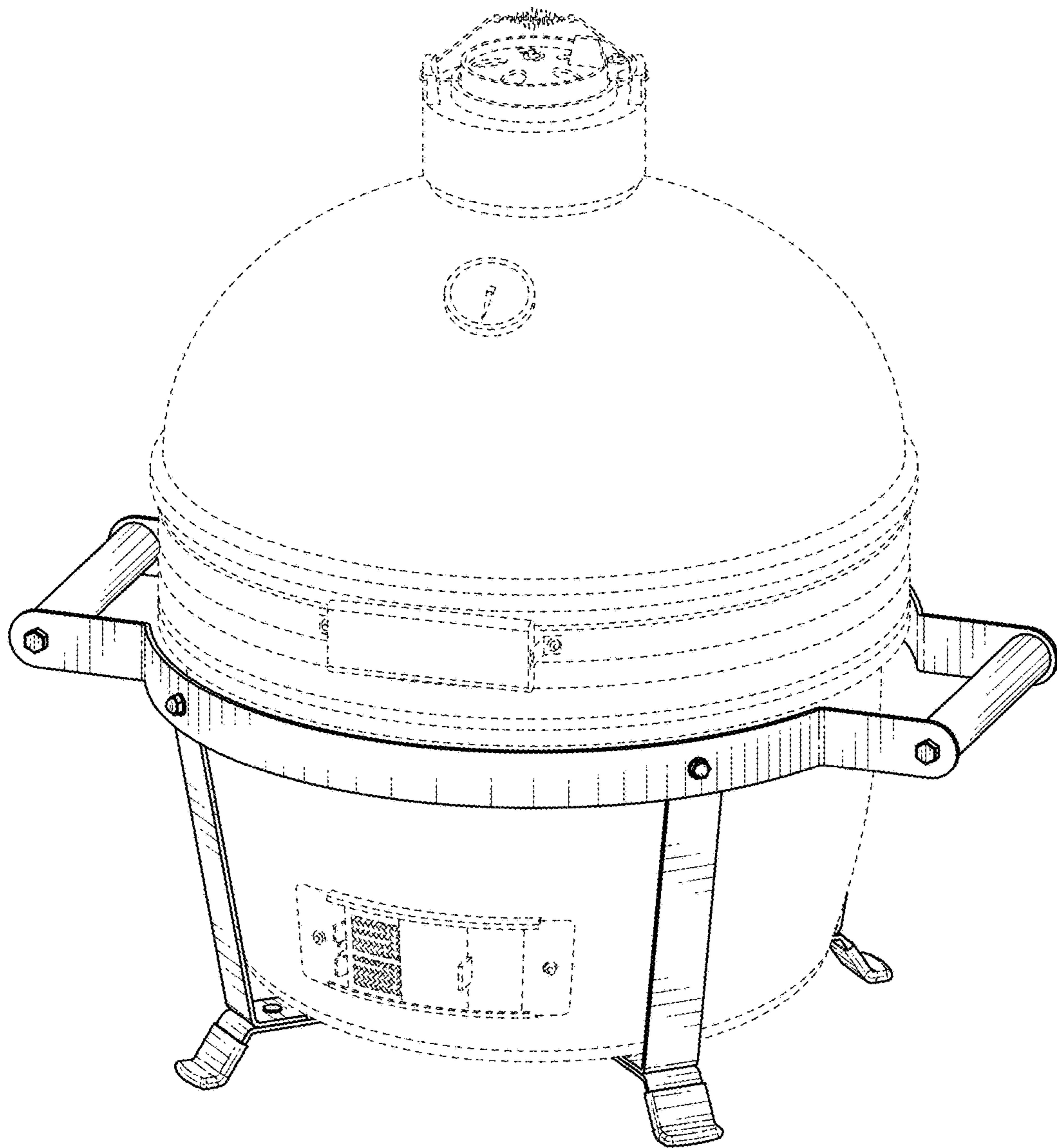


FIG. 6