



US00D781646S

(12) **United States Design Patent**  
**Roth et al.**

(10) **Patent No.:** **US D781,646 S**  
(45) **Date of Patent:** **\*\* Mar. 21, 2017**

(54) **TWO-STAGE WATER FILTRATION**

(56) **References Cited**

(71) Applicant: **Cool Gear International, LLC**,  
Plymouth, MA (US)  
(72) Inventors: **Donna Roth**, Duxbury, MA (US);  
**Henry Roth**, Duxbury, MA (US); **John**  
**D. Mason**, Bridgewater, MA (US)  
(73) Assignee: **Cool Gear International, LLC**,  
Plymouth, MA (US)  
(\*\*) Term: **15 Years**

U.S. PATENT DOCUMENTS

866,545 A \* 9/1907 Whitman ..... A47J 31/14  
210/467  
2,258,524 A \* 10/1941 Vigurs ..... A47J 43/27  
131/242  
D235,183 S \* 5/1975 Braun ..... 210/455  
5,637,214 A \* 6/1997 Kahana ..... A47J 31/605  
210/282  
D383,351 S \* 9/1997 DeMore ..... D7/317  
D389,004 S \* 1/1998 Hampshire ..... D7/318

(Continued)

(21) Appl. No.: **29/548,663**  
(22) Filed: **Dec. 15, 2015**

*Primary Examiner* — Marianne Pandozzi  
*Assistant Examiner* — Jae Liang

(74) *Attorney, Agent, or Firm* — Mintz Levin Cohn Ferris  
Glovsky and Popeo, P.C.; Steven M. Jensen; Richard B.  
Emmons

**Related U.S. Application Data**

(62) Division of application No. 29/490,818, filed on May  
13, 2014, now Pat. No. Des. 745,308.

(51) **LOC (10) Cl.** ..... **07-01**

(52) **U.S. Cl.**  
USPC ..... **D7/400; D7/399; D7/387; D7/397**

(58) **Field of Classification Search**  
USPC ..... D7/387, 392, 392.1, 393, 394, 396.1,  
D7/396.2, 396.3, 397, 398, 399, 400, 509,  
D7/510, 511, 213, 507, 514, 515, 300.2,  
D7/301, 708.1, 619.1, 633, 635, 517,  
D7/600.1, 624.1, 624.2, 401, 523, 532,  
D7/607; D9/624, 435, 436, 440;  
D24/194, 195, 197, 198; 220/703,  
220/592.16, 592.17, 705, 706, 707;  
D10/119.2, 119.3; D14/253; D11/143,  
D11/144  
CPC ..... A47G 19/06; A47G 19/02; A47G 19/065;  
A47G 19/2216; A47G 19/2222; B65D  
47/066

See application file for complete search history.

(57) **CLAIM**

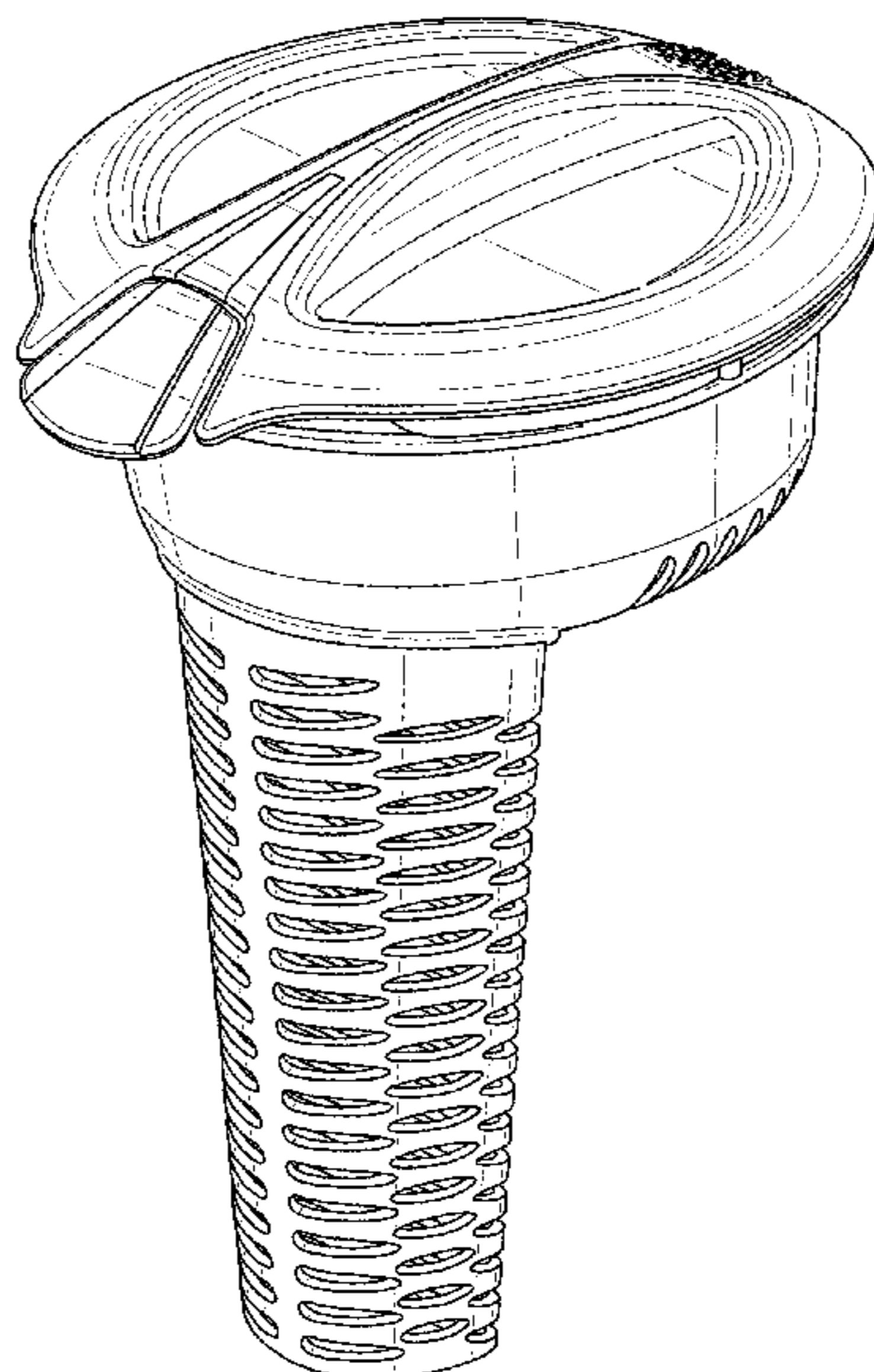
The ornamental design for a two-stage water filtration, as  
shown and described.

**DESCRIPTION**

FIG. 1 is a top, front and right side perspective view of a  
two-stage water filtration showing our new design:  
FIG. 2 is a front view thereof;  
FIG. 3 is a rear view thereof;  
FIG. 4 is a left side view thereof;  
FIG. 5 is a right side view thereof;  
FIG. 6 is a top view thereof;  
FIG. 7 is a bottom view thereof; and,  
FIG. 8 is an environmental top, front and right side perspec-  
tive view thereof.

The broken lines in the drawing depict portions of the  
two-stage water filtration, and the environmental subject  
matter only and form no part of the claimed design.

**1 Claim, 8 Drawing Sheets**



(56)

**References Cited**

## U.S. PATENT DOCUMENTS

5,803,316 A \* 9/1998 Couture ..... A47G 19/12  
222/189.06  
6,283,013 B1 \* 9/2001 Romandy ..... A47J 31/0636  
99/319  
D531,445 S \* 11/2006 Bodum ..... D7/312  
D536,205 S \* 2/2007 Jensen ..... D7/300  
D558,516 S \* 1/2008 Bulala ..... D7/387  
D568,666 S \* 5/2008 Souloglou ..... D7/316  
D585,231 S \* 1/2009 Bulala ..... D7/317  
D585,232 S \* 1/2009 Bodum ..... D7/317  
D587,514 S \* 3/2009 Bodum ..... D7/317  
D598,234 S \* 8/2009 Bodum ..... D7/317  
D600,498 S \* 9/2009 Ma ..... D7/397  
D632,520 S \* 2/2011 Bell ..... D7/317  
D633,325 S \* 3/2011 McArdle ..... D7/317  
D644,072 S \* 8/2011 McDonald ..... D7/667  
D658,827 S \* 5/2012 Lipscomb ..... D30/162  
D663,580 S \* 7/2012 Vagnby ..... D7/400  
D680,791 S \* 4/2013 Bell ..... D7/317  
D691,418 S \* 10/2013 Minton ..... D7/399  
D713,685 S \* 9/2014 Eyal ..... D7/507  
D717,594 S \* 11/2014 Taketani ..... D7/399  
D720,174 S \* 12/2014 Melzer ..... D7/317  
D747,140 S \* 1/2016 Roth ..... D23/209

\* cited by examiner

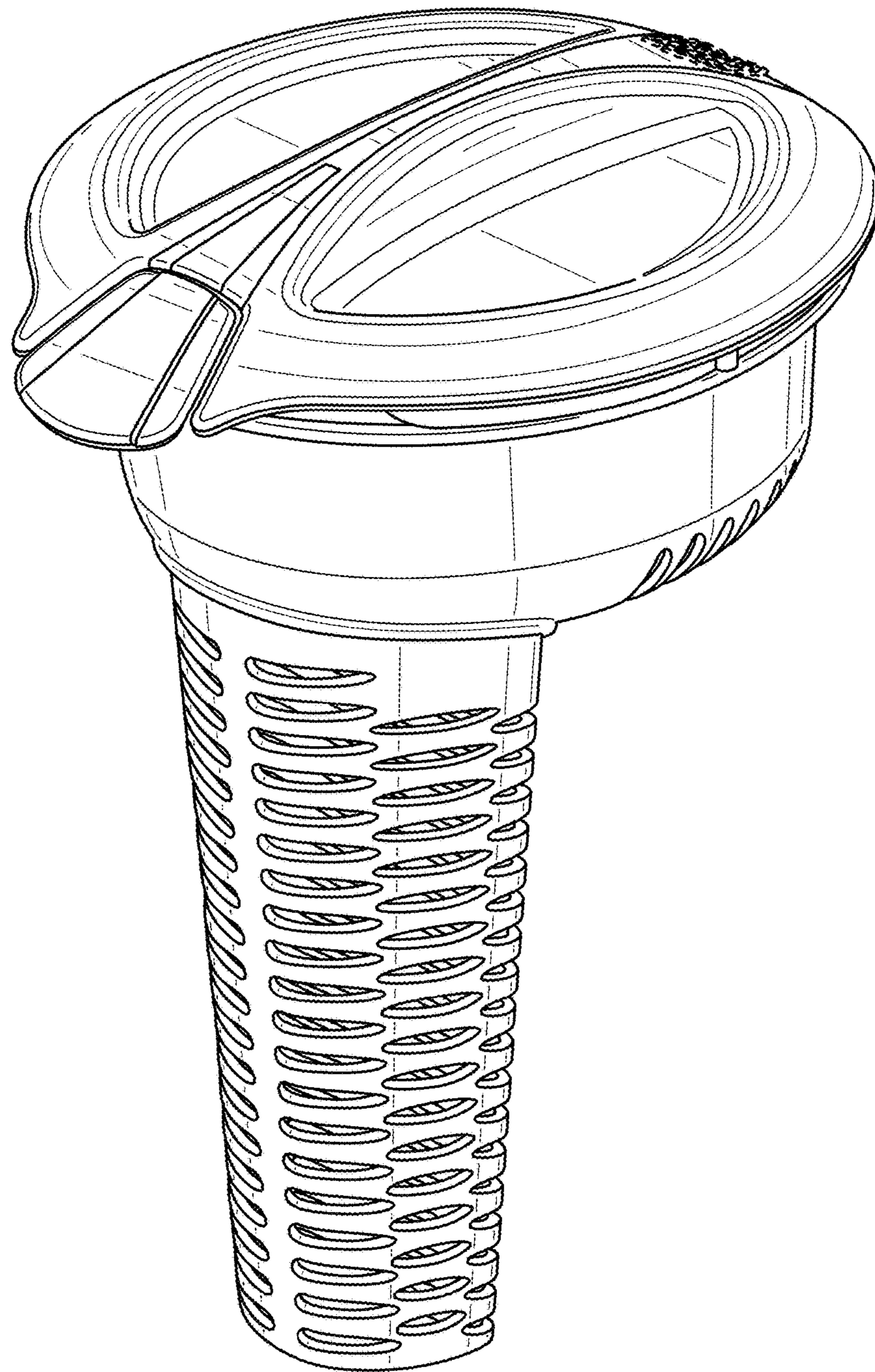


FIG. 1

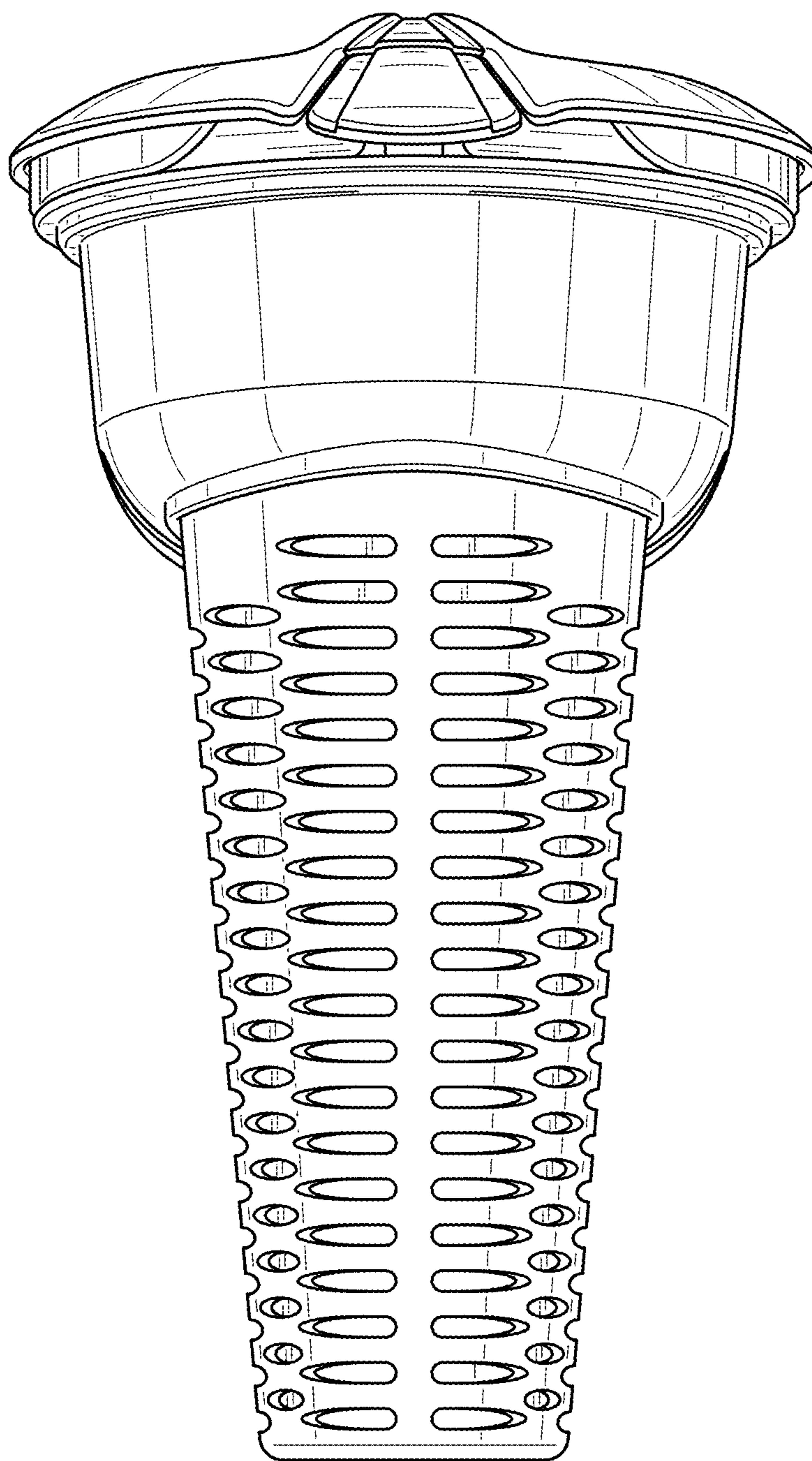


FIG. 2

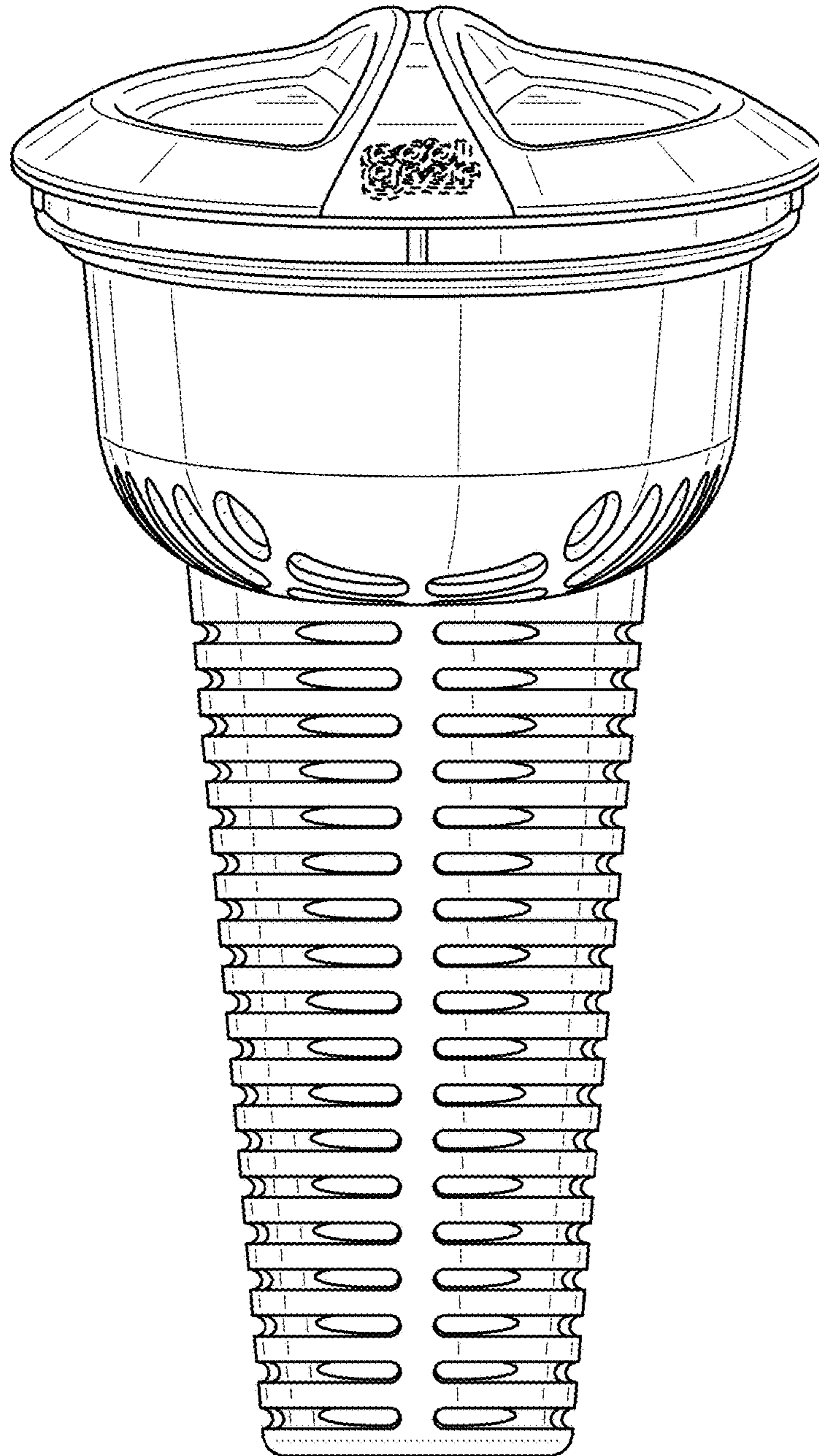


FIG. 3

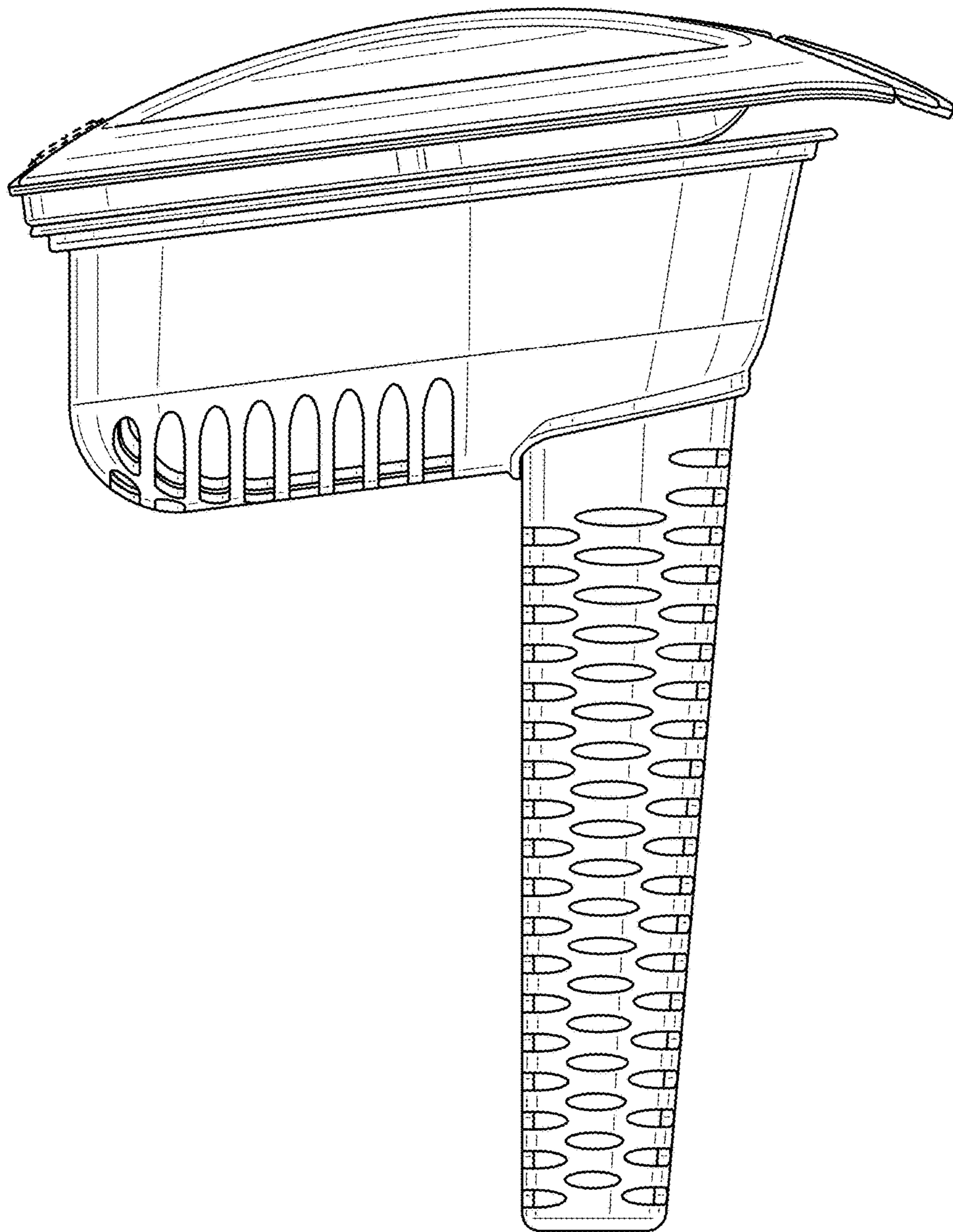


FIG. 4

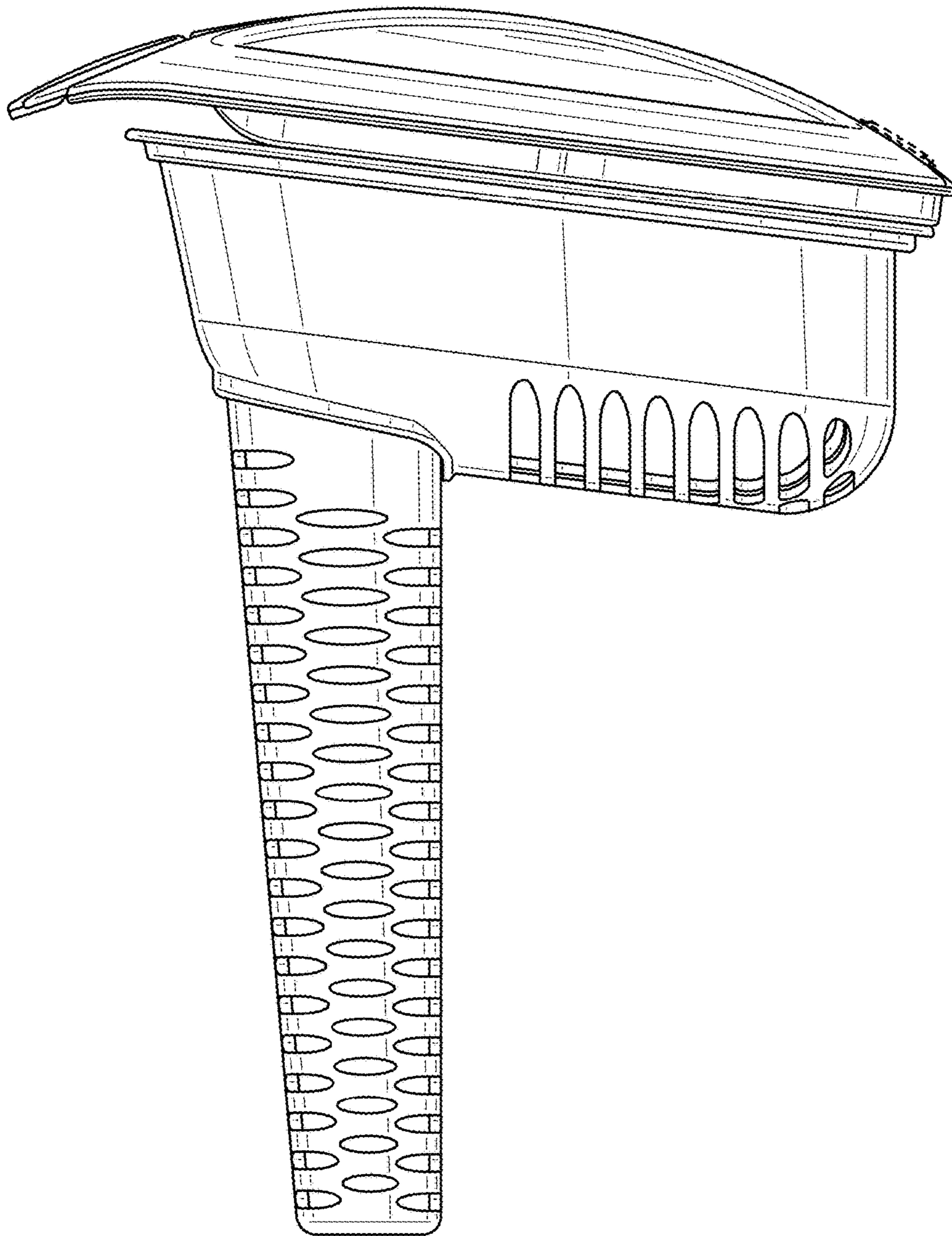


FIG. 5

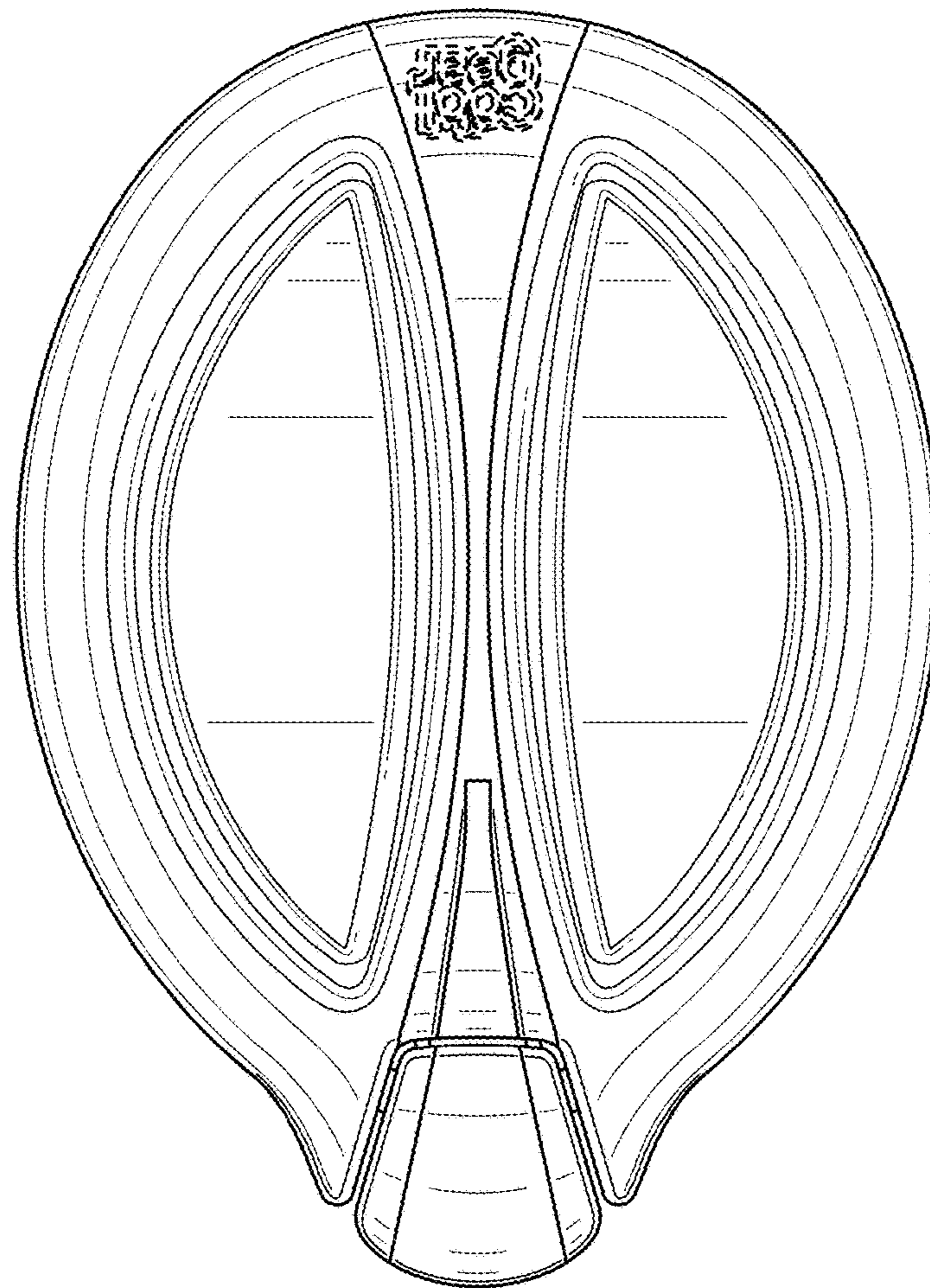


FIG. 6



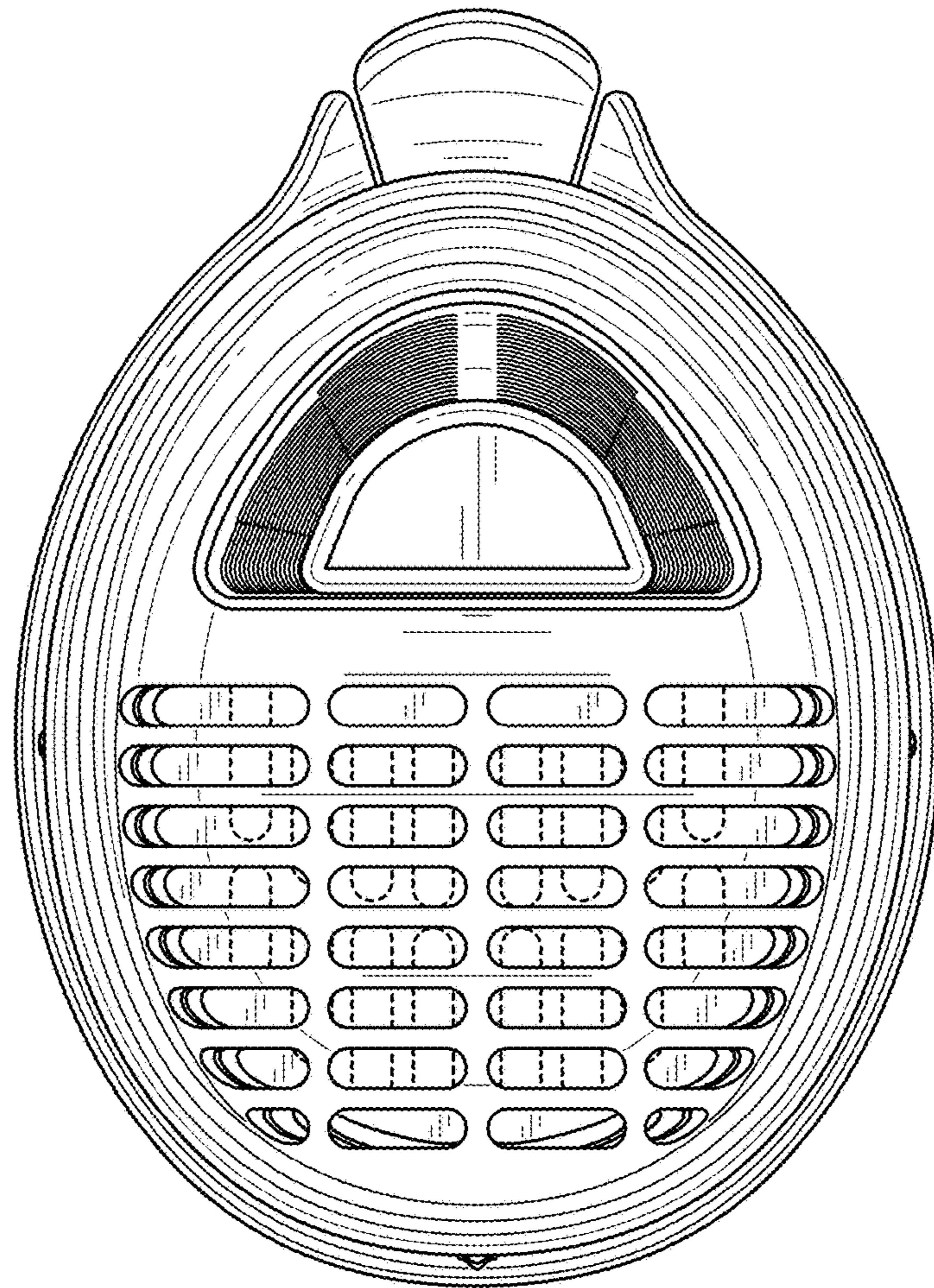


FIG. 7

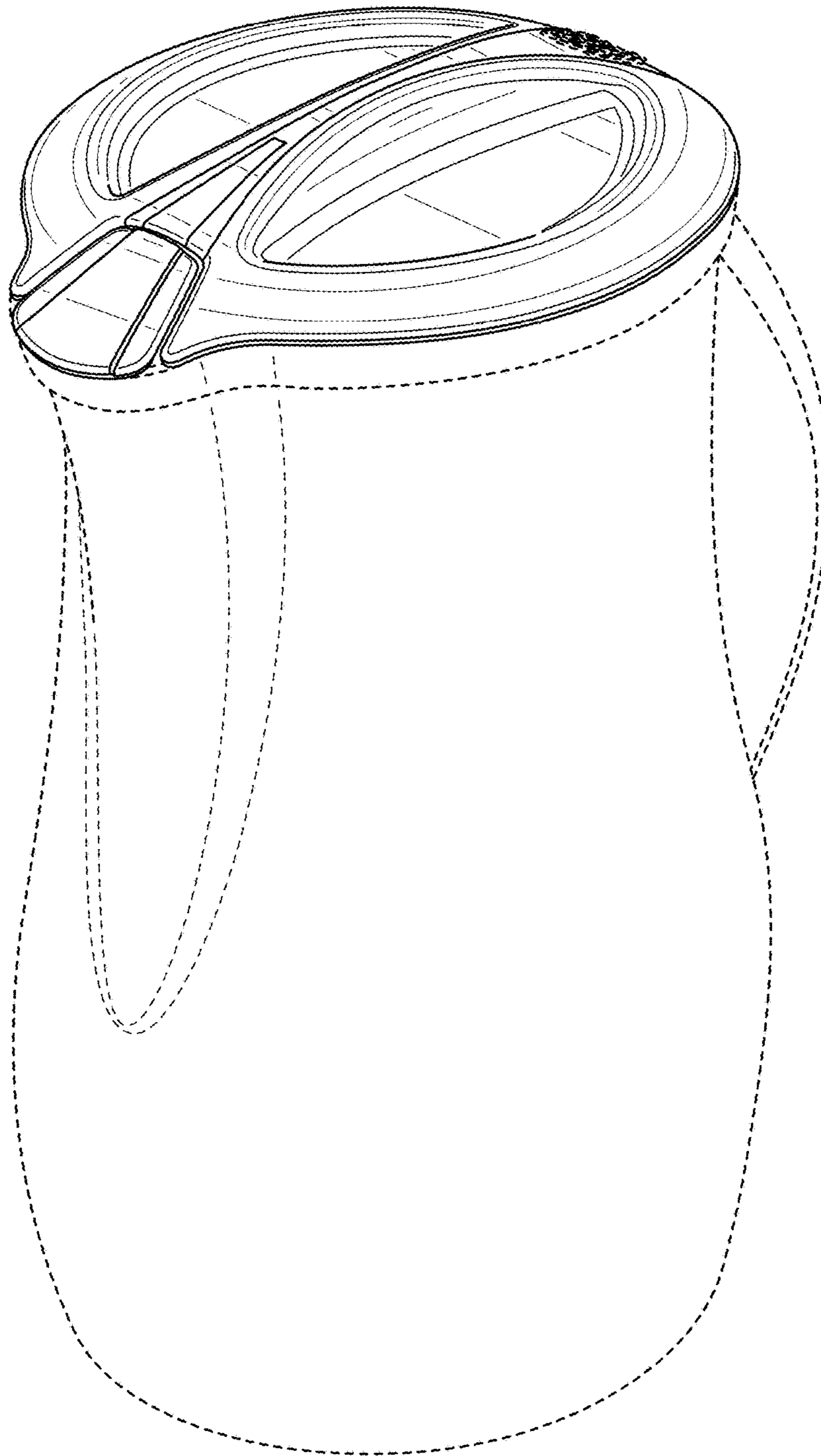


FIG. 8