



US00D781645S

(12) **United States Design Patent**
Lau

(10) **Patent No.:** **US D781,645 S**
(45) **Date of Patent:** **** Mar. 21, 2017**

- (54) **IN-BOTTLE WINE AERATOR**
- (71) Applicant: **Wine Reveal, LLC**, San Luis Obispo, CA (US)
- (72) Inventor: **Michael H. Lau**, San Luis Obispo, CA (US)
- (73) Assignee: **Wine Reveal, LLC**, San Luis Obispo, CA (US)

2,542,720 A 2/1951 Soklaski
 2,739,065 A 3/1956 Hugin
 2,980,302 A 4/1961 Rasmussen
 3,422,998 A * 1/1969 Murray B65D 47/06
 222/481

D217,330 S 4/1970 Conry
 D229,826 S 1/1974 Raptis
 3,966,099 A 6/1976 Sanford et al.
 D266,652 S * 10/1982 Nagel D10/119.3
 4,398,652 A 8/1983 Ueda et al.

(Continued)

(**) Term: **15 Years**

(21) Appl. No.: **29/543,564**

(22) Filed: **Oct. 26, 2015**

Related U.S. Application Data

(63) Continuation of application No. 29/498,689, filed on Aug. 6, 2014, now Pat. No. Des. 741,645.

(51) **LOC (10) Cl.** **07-01**

(52) **U.S. Cl.**
USPC **D7/398**; D7/397; D9/440; D9/435;
D9/436

(58) **Field of Classification Search**

USPC D7/397, 398, 213, 313, 393, 395, 515,
 D7/539, 300.2, 619.1, 387, 392, 392.1,
 D7/394, 396.1, 396.2, 396.3, 399, 400;
 D10/119.2, 119.3, 68; 217/72, 98;
 137/317, 318, 319; 222/145.7, 148, 113,
 222/484, 569, 563, 479, 190; D9/439,
 D9/440, 435, 436, 447

CPC B25F 1/02; B25F 5/02; B25F 5/023; B25F
 5/026; B65D 5/46; B65D 47/24; B65D
 47/2093; F16K 23/00

See application file for complete search history.

(56) **References Cited**

U.S. PATENT DOCUMENTS

D26,349 S 12/1896 Bean
 1,143,525 A 6/1915 Ferris

FOREIGN PATENT DOCUMENTS

CN 203283622 11/2013
 WO WO 2007-007127 A2 5/2007
 WO WO 2012-018667 A1 2/2012

Primary Examiner — Marianne Pandozzi

Assistant Examiner — Jae Liang

(74) *Attorney, Agent, or Firm* — Knobbe Martens Olson & Bear, LLP

(57) **CLAIM**

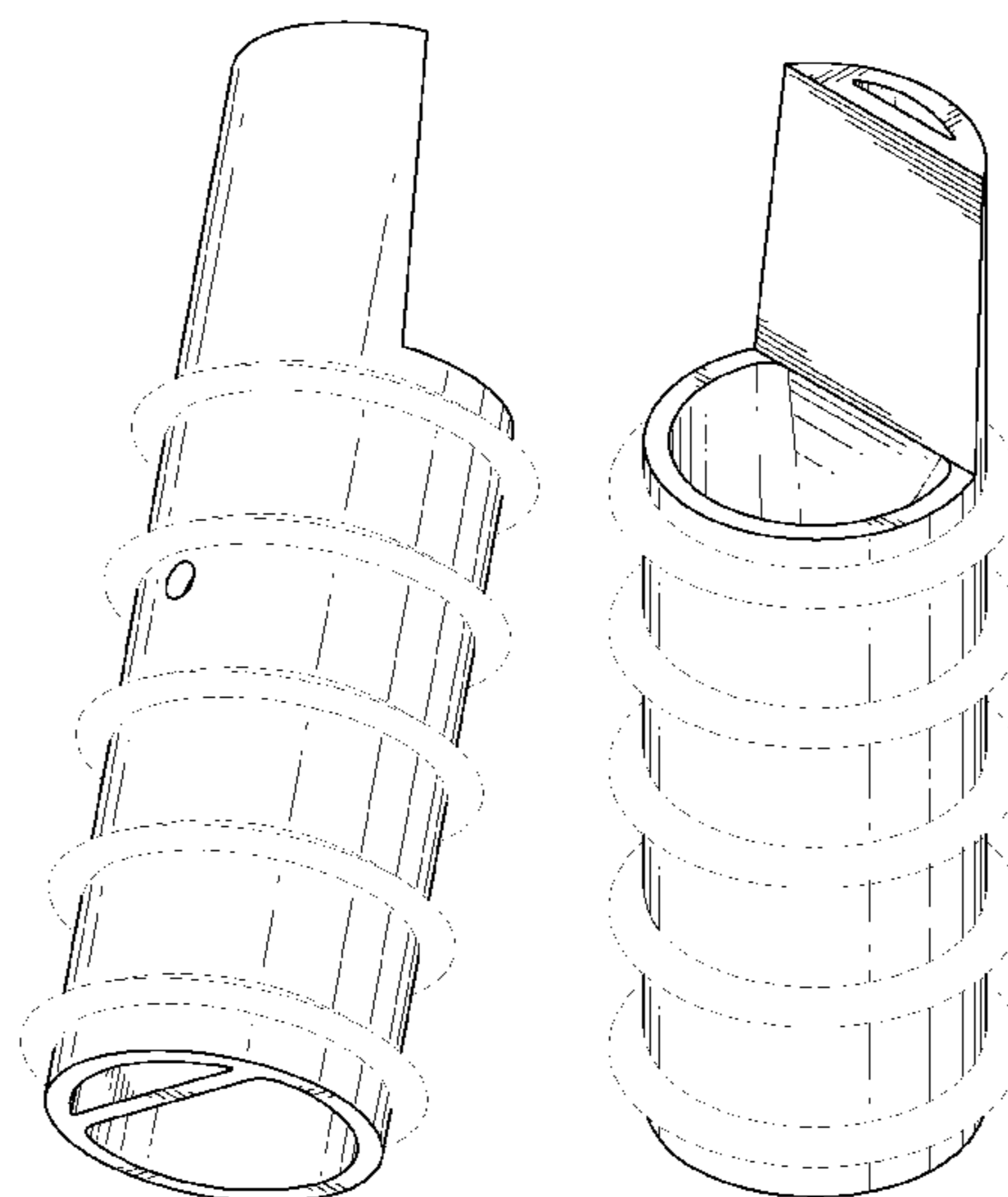
The ornamental design for an in-bottle wine aerator, as shown and described.

DESCRIPTION

FIG. 1 is a bottom perspective view of an in-bottle wine aerator showing my new design;
 FIG. 2 is a top perspective view thereof;
 FIG. 3 is a front view thereof;
 FIG. 4 is a rear view thereof;
 FIG. 5 is a side view thereof;
 FIG. 6 is a top view thereof; and,
 FIG. 7 is a bottom view thereof.

The broken lines in the drawing depict portions of the in-bottle wine aerator that form no part of the claimed design.

1 Claim, 4 Drawing Sheets



(56)

References Cited

U.S. PATENT DOCUMENTS

D331,348 S 12/1992 Park
 D334,332 S 3/1993 Massey
 D385,819 S * 11/1997 Chen D10/119.3
 5,791,529 A 8/1998 Mukai
 D398,838 S 9/1998 Nielsen
 D418,417 S 1/2000 Hollinger
 D429,630 S 8/2000 Knight et al.
 D437,782 S 2/2001 Haley et al.
 6,382,475 B1 5/2002 Weikinger
 D474,689 S 5/2003 Dinsky
 6,568,660 B1 5/2003 Flanbaum
 D484,801 S 1/2004 Pierce
 D487,227 S 3/2004 Haley
 6,742,678 B1 6/2004 Krystopik, Jr.
 D501,359 S * 2/2005 Bodum D7/392
 D533,776 S 12/2006 Allen et al.
 D562,627 S 2/2008 McDonald
 D568,152 S 5/2008 Fetherston
 D578,390 S 10/2008 Green
 D587,524 S 3/2009 Allen et al.
 D589,748 S 4/2009 McDonald
 D591,594 S 5/2009 Jalet
 D592,906 S 5/2009 Allen et al.
 D597,789 S 8/2009 McDonald

D614,443 S * 4/2010 Federighi D7/397
 D633,753 S 3/2011 White
 D643,721 S 8/2011 Blinn
 D658,984 S 5/2012 Pauser
 D661,549 S * 6/2012 Kemper D7/505
 D678,768 S 3/2013 Agassi et al.
 D679,212 S * 4/2013 Nguyen D10/119.3
 8,413,858 B2 4/2013 Rasmussen et al.
 D681,456 S * 5/2013 Agarwal D7/392
 D688,127 S 8/2013 Agassi et al.
 D701,764 S 4/2014 Brower et al.
 D702,493 S 4/2014 Tang
 8,967,899 B1 3/2015 Chu et al.
 D730,730 S 6/2015 Haley et al.
 D741,645 S * 10/2015 Lau D7/397
 D745,395 S * 12/2015 Peckels D7/392
 D764,336 S * 8/2016 Nguyen D10/119.3
 2005/0184026 A1 8/2005 Haley
 2005/0194410 A1 9/2005 Pham
 2006/0000855 A1 1/2006 Allen et al.
 2008/0290062 A1 11/2008 Luzaich et al.
 2010/0058933 A1 3/2010 Cheng
 2012/0074092 A1 3/2012 Devoy et al.
 2012/0111893 A1 5/2012 Luebke
 2012/0156345 A1 6/2012 Agarwal et al.
 2013/0051174 A1 2/2013 Tsai et al.

* cited by examiner

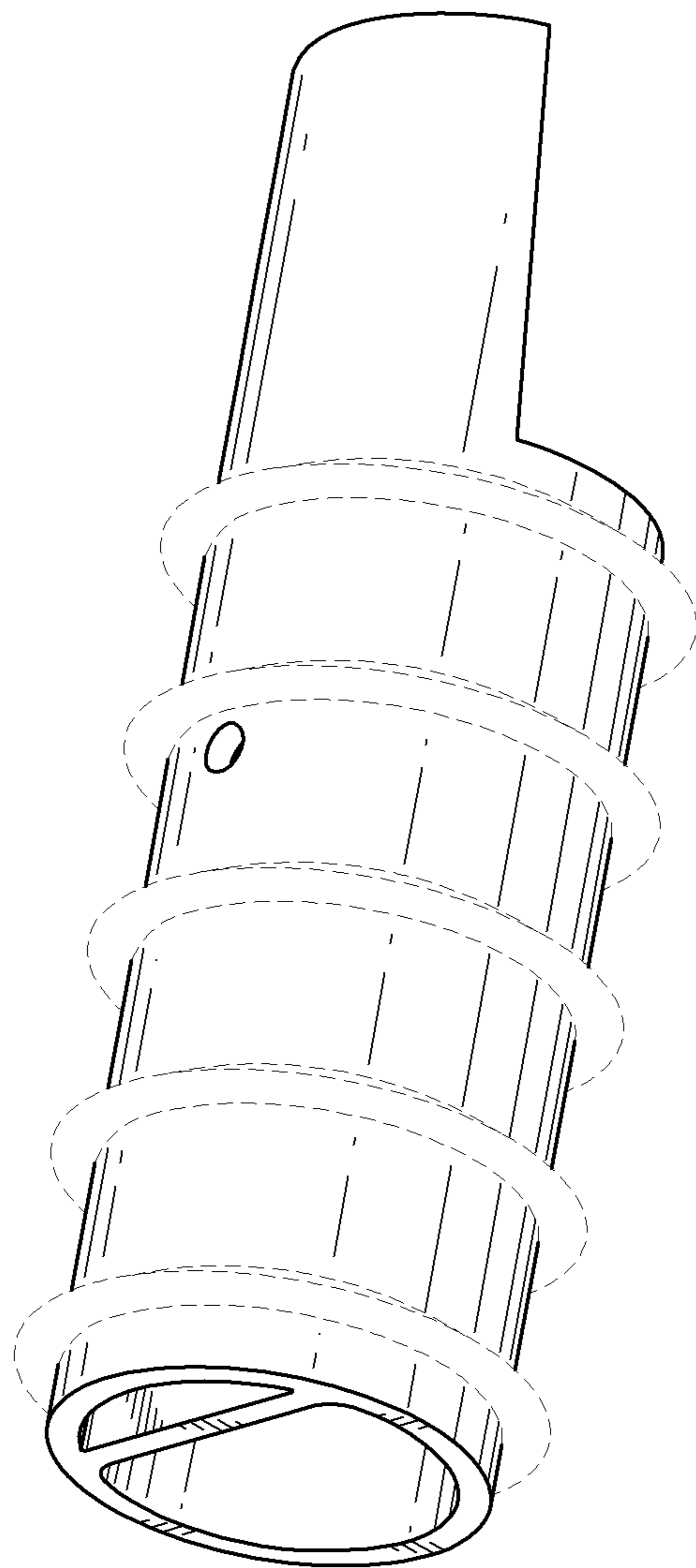


FIG. 1

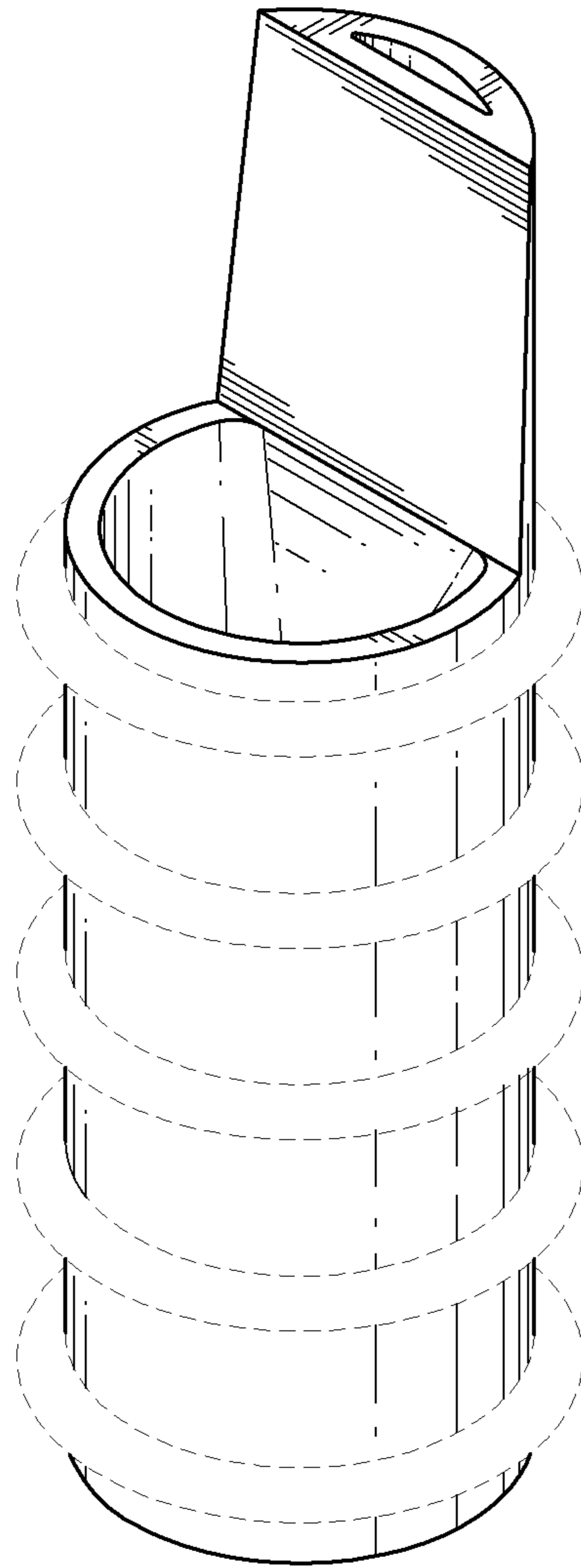


FIG. 2

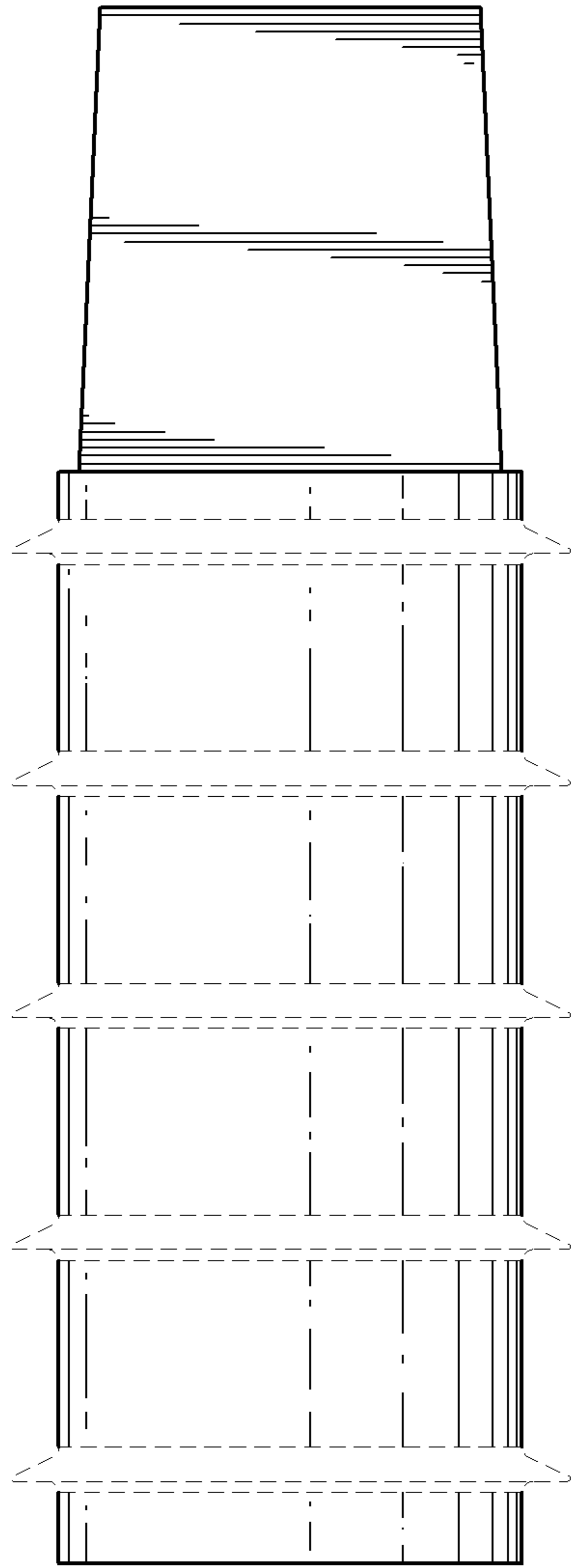


FIG. 3

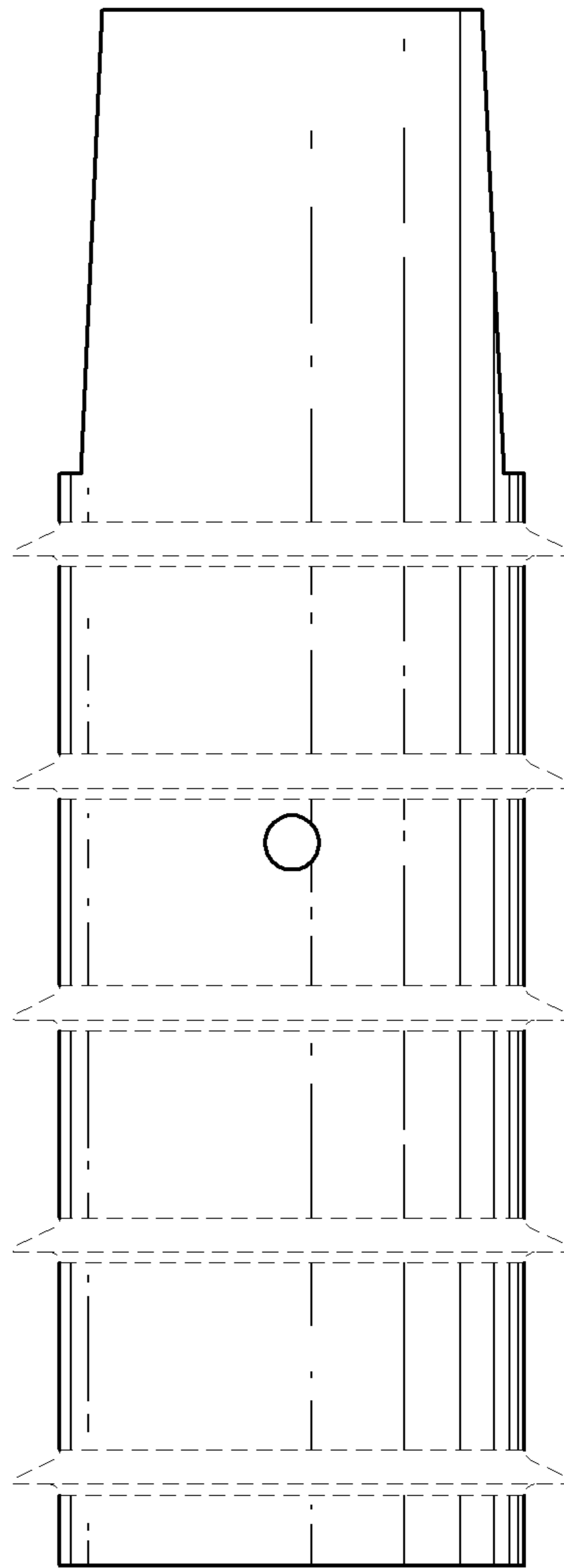


FIG. 4

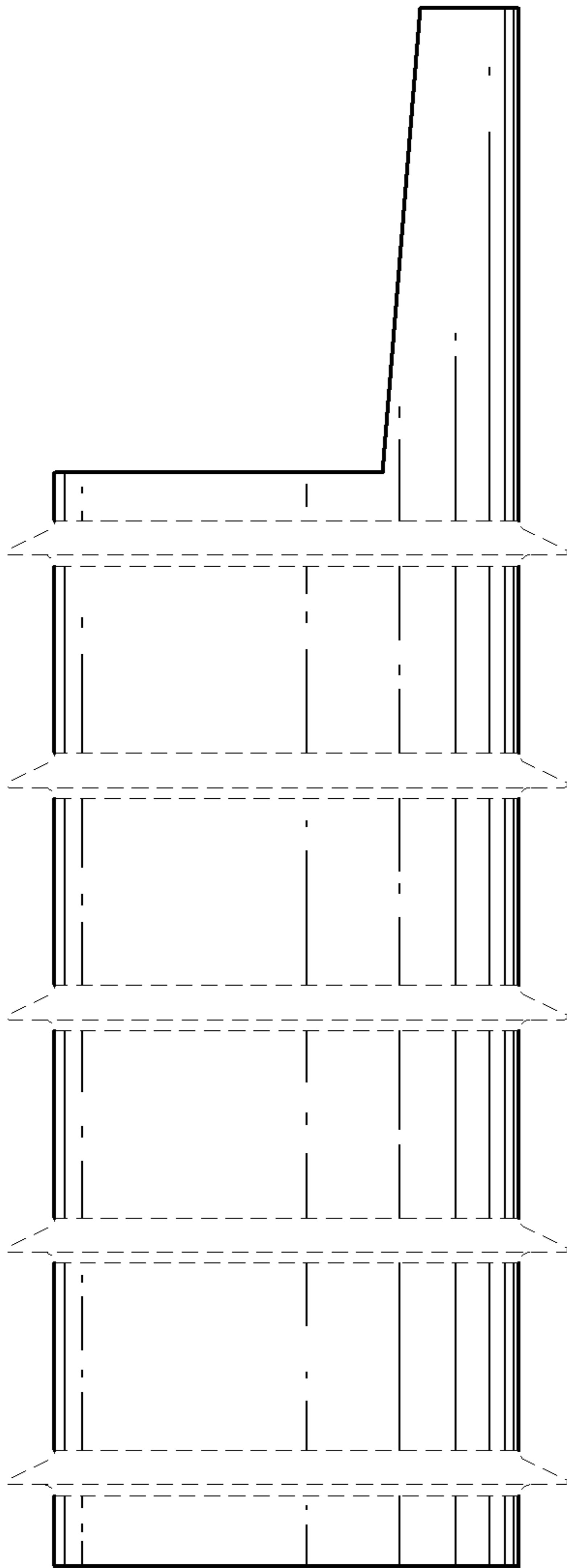


FIG. 5

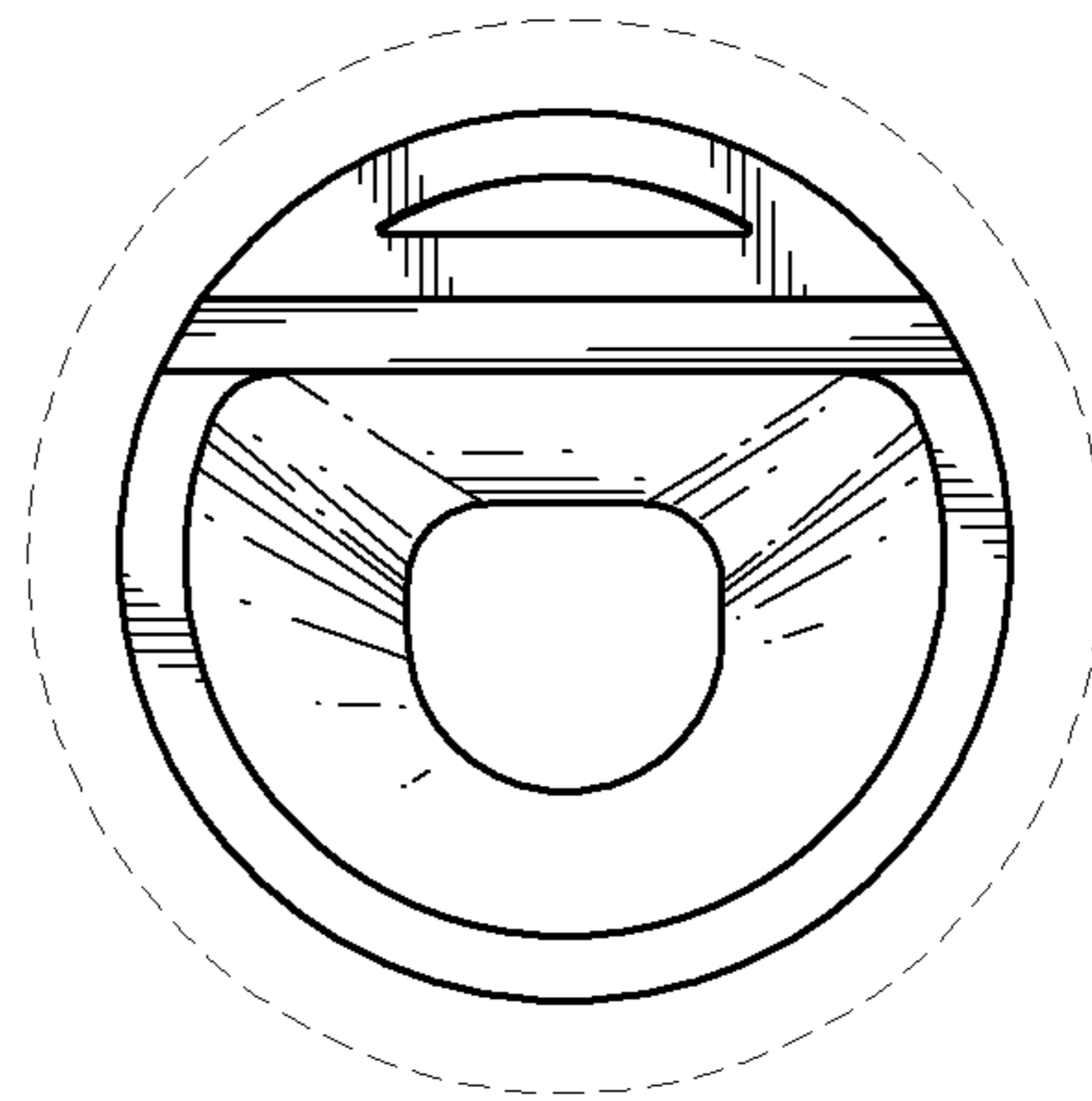


FIG. 6

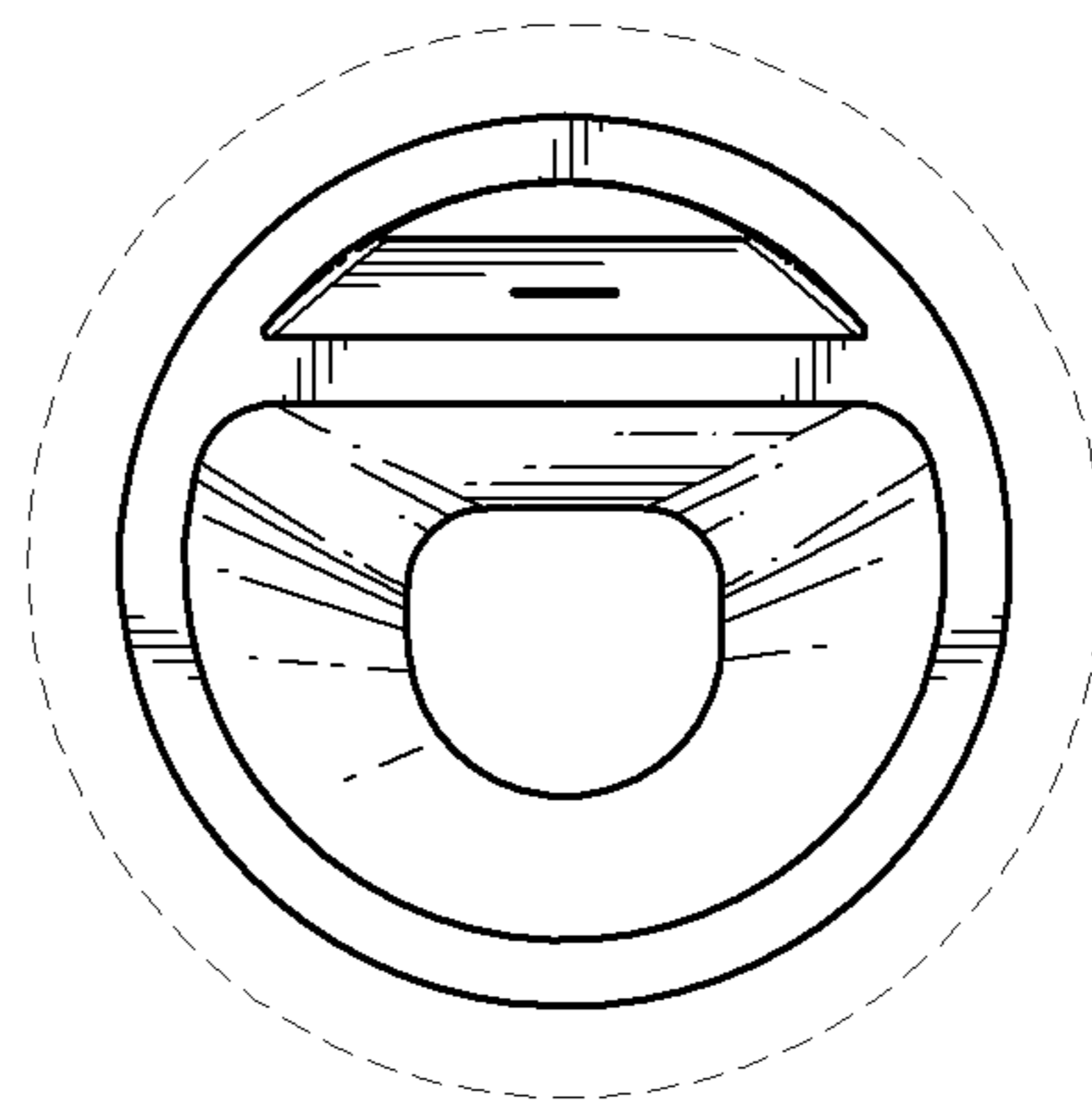


FIG. 7