



US00D781641S

(12) **United States Design Patent** (10) **Patent No.:** **US D781,641 S**  
**Incukur** (45) **Date of Patent:** **\*\* Mar. 21, 2017**

(54) **APPLIANCE HANDLE**

(71) Applicant: **Arcelik Anonim Sirketi**, Istanbul (TR)

(72) Inventor: **Ali Ihsan Incukur**, Istanbul (TR)

(73) Assignee: **ARCELIK ANONIM SIRKETI**, Istanbul (TR)

(\*\*) Term: **15 Years**

(21) Appl. No.: **29/556,841**

(22) Filed: **Mar. 3, 2016**

(30) **Foreign Application Priority Data**

Sep. 3, 2015 (EM) ..... 002765149

(51) **LOC (10) Cl.** ..... **07-02**

(52) **U.S. Cl.**  
USPC ..... **D7/393**; D8/315

(58) **Field of Classification Search**  
USPC .... D32/1-3, 6, 25, 28, 29, 34, 24; D23/226,  
D23/255, 271, 259-260, 268, 381;  
312/109, 237 A; 134/56 R, 57 R, 57 D,  
134/57 DL, 56 D, 58 R, 58 D, 58 DL,  
134/25.2, 184; 68/3 R, 13 R, 27-28,  
68/213-214, 232; D8/300-303, 315-317;  
D15/89, 79; D6/327, 513, 522-523,  
D6/545-546, 571; D7/331-332,  
D7/338-340, 348-350.1, 351, 354, 393,  
D7/405; 16/436  
CPC ... Y10T 16/4576; Y10T 16/501; Y10T 16/86;  
Y10T 16/469; Y10T 16/44; Y10T 16/458;  
Y10T 16/498; Y10T 16/476; Y10T  
16/459; Y10T 16/466; Y10T 16/4713;  
Y10T 16/4644; Y10T 16/513; Y10T  
16/509; Y10T 16/473; Y10T 16/462

See application file for complete search history.

(56) **References Cited**

U.S. PATENT DOCUMENTS

D266,122 S *	9/1982	Haug .....	D8/316
D562,361 S *	2/2008	Kwak .....	D15/89
D568,100 S *	5/2008	Jeon .....	D7/402
D572,109 S *	7/2008	Busalt .....	D8/316
D572,110 S *	7/2008	Busalt .....	D8/316
D572,111 S *	7/2008	Busalt .....	D8/316
D577,567 S *	9/2008	Crookshanks .....	D8/316
D654,311 S *	2/2012	Benold .....	D7/402
D736,055 S *	8/2015	Funnell, II .....	D8/315
D749,393 S *	2/2016	Lee .....	D15/89
D758,827 S *	6/2016	Grasselli .....	D8/315
D763,654 S *	8/2016	Chung .....	D8/315
D764,230 S *	8/2016	Shoemaker .....	D7/405
D764,890 S *	8/2016	Shoemaker .....	D15/89
2014/0304944 A1 *	10/2014	Carr .....	A47L 15/4257 16/110.1

\* cited by examiner

*Primary Examiner* — Lakiya Rogers

*Assistant Examiner* — Harold Blackwell, II

(74) *Attorney, Agent, or Firm* — Fox Rothschild LLP

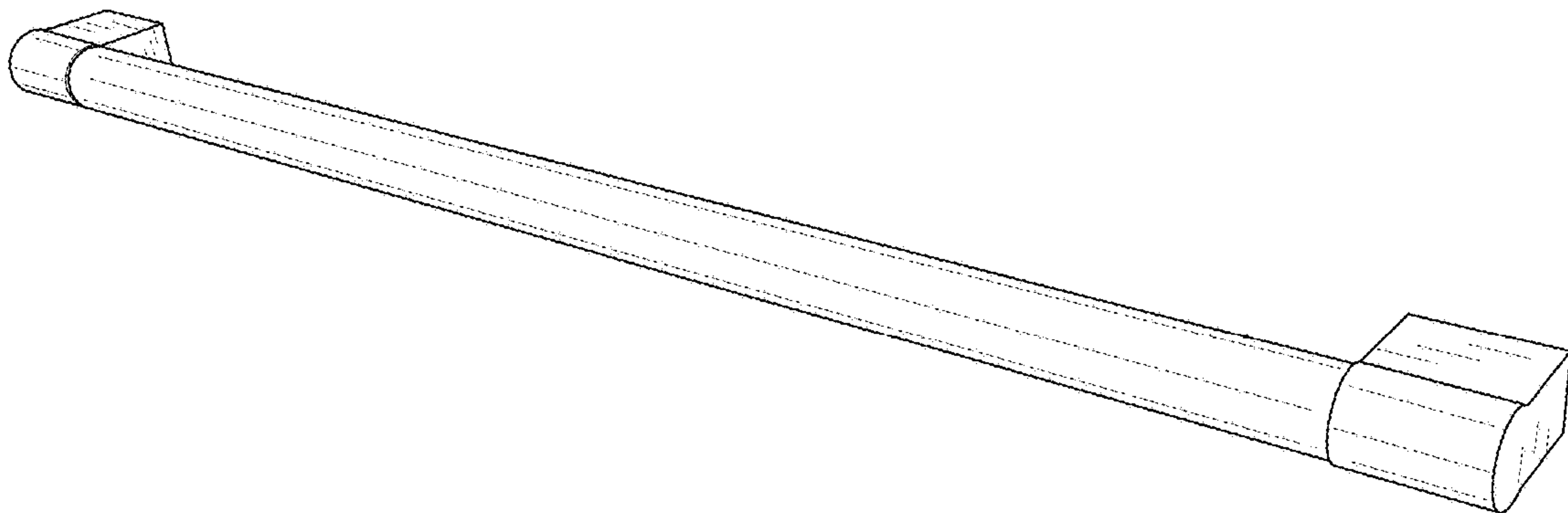
(57) **CLAIM**

The ornamental design for an appliance handle, as shown and described.

**DESCRIPTION**

FIG. 1 is a side perspective view of an appliance handle according to an embodiment of the present invention.  
FIG. 2 is a front elevation view of the appliance handle of FIG. 1, the rear view is disclaimed.  
FIG. 3 is a right side elevation view of the appliance handle of FIG. 1, the left side view being a mirror image thereof; and,  
FIG. 4 is a top perspective view of the appliance handle of FIG. 1, the bottom perspective view being a mirror image thereof.

**1 Claim, 4 Drawing Sheets**



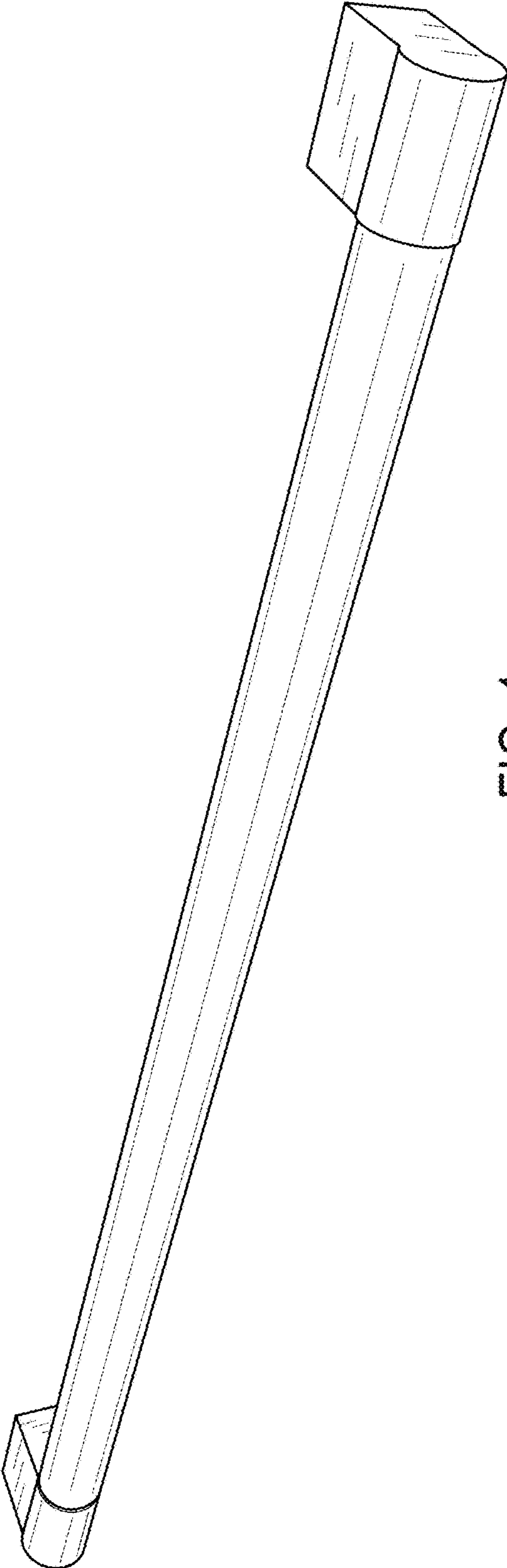


FIG. 1

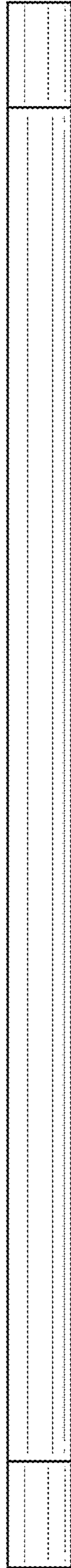


FIG. 2

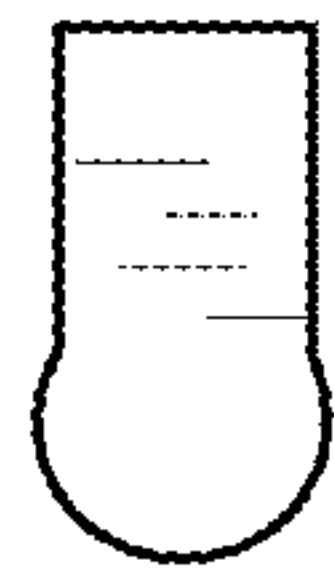


FIG. 3

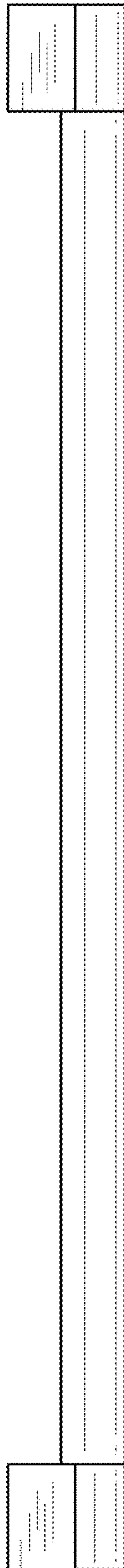


FIG. 4