



US00D781640S

(12) **United States Design Patent**
Roth et al.

(10) **Patent No.:** **US D781,640 S**
(45) **Date of Patent:** **** Mar. 21, 2017**

(54) **CAP OF A BOTTLE WITH A REMOVABLE STRAW MIXER**

(71) Applicant: **Cool Gear International, LLC**,
Plymouth, MA (US)
(72) Inventors: **Donna Roth**, Duxbury, MA (US);
Henry Roth, Duxbury, MA (US); **Fadi Sanbar**,
Billerica, MA (US)
(73) Assignee: **Cool Gear International, LLC**,
Plymouth, MA (US)

(**) Term: **15 Years**
(21) Appl. No.: **29/544,287**
(22) Filed: **Nov. 2, 2015**

Related U.S. Application Data

(62) Division of application No. 29/490,797, filed on May 13, 2014, now Pat. No. Des. 742,174.

(51) **LOC (10) Cl.** **07-99**

(52) **U.S. Cl.**
USPC **D7/392.1; D7/396.2; D7/300.2;**
D9/436; D9/443

(58) **Field of Classification Search**
USPC D7/507, 510, 511, 523, 531, 532, 300.1,
D7/591, 300.2, 608, 629, 387, 392.1,
D7/396.2, 396.3, 665; D9/503, 435, 436,
D9/440, 447, 449, 905, 454, 427, 446,
D9/443; 220/200, 703, 705, 592.16,
220/596.17, 495.03, 62.12; 215/45, 206,
215/224, 240, 305; 206/154, 156
CPC A47G 19/2211; A47G 19/2266; A47G 19/22;
A45F 3/16; A37G 19/2272; B65D 51/18;
B65D 43/02; B65D 47/08; B65D 41/56
See application file for complete search history.

(56) **References Cited**

U.S. PATENT DOCUMENTS

D137,297 S *	2/1944	Ruther	D23/213
D371,930 S *	7/1996	Huang	D7/300.1
D401,466 S *	11/1998	Joergensen	D7/317
D426,742 S *	6/2000	Gartz	D7/376
D446,681 S *	8/2001	Weibel	D7/376
D448,971 S *	10/2001	Hughes	D7/392.1
D463,946 S *	10/2002	Yeh	D7/300
D510,678 S *	10/2005	Krasne	D7/376
D571,610 S *	6/2008	Bodum	D7/397

(Continued)

Primary Examiner — Marianne Pandozzi

Assistant Examiner — Jae Liang

(74) *Attorney, Agent, or Firm* — Mintz Levin Cohn Ferris
Glovsky and Popeo, P.C.; Steven M. Jensen; Richard B.
Emmons

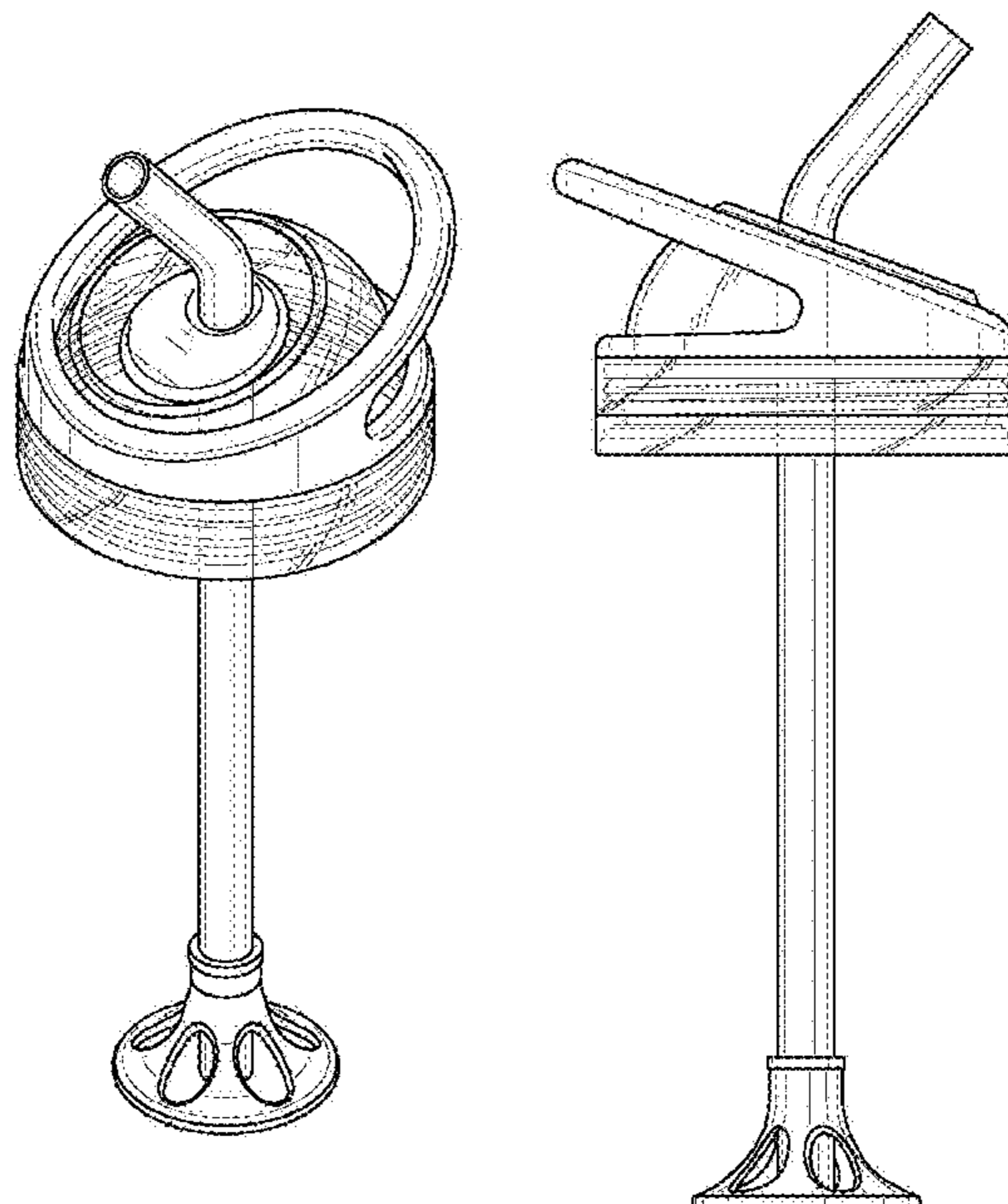
(57) **CLAIM**

The ornamental design for a cap of a bottle with a removable straw mixer, as shown and described.

DESCRIPTION

FIG. 1 is a top front perspective view of a cap of a bottle with a removable straw mixer showing our new design;
FIG. 2 is a front view thereof;
FIG. 3 is a rear view thereof;
FIG. 4 is a left side view thereof;
FIG. 5 is a right side view thereof;
FIG. 6 is a top view thereof;
FIG. 7 is a bottom view thereof; and,
FIG. 8 is an environmental perspective view thereof.
The broken lines in the drawing depict environmental subject matter only and form no part of the claimed design.

1 Claim, 8 Drawing Sheets



(56)

References Cited

U.S. PATENT DOCUMENTS

7,441,941 B2 * 10/2008 Vernon A47J 43/10
366/130
D581,216 S * 11/2008 Williams D7/509
D586,184 S * 2/2009 Miller D7/511
D592,505 S * 5/2009 Mobley D7/300.2
D595,990 S * 7/2009 Rothberg D7/300.2
D638,243 S * 5/2011 Carlson D7/300.2
D652,256 S * 1/2012 Eyal D7/510
D655,967 S * 3/2012 Bodum D7/300.1
D669,310 S * 10/2012 Barreto D7/510
D674,241 S * 1/2013 Bickert D7/510
D687,259 S * 8/2013 Hauser D7/376
D692,724 S * 11/2013 Smiedt D7/510
D700,014 S * 2/2014 Zeanah D7/510
D700,807 S * 3/2014 Kershaw D7/510
D701,727 S * 4/2014 Gilbert D7/300.1
D702,079 S * 4/2014 Hung D7/392.1
D709,163 S * 7/2014 Deruntz D23/206
RE45,055 E * 8/2014 Roth D7/392.1
D742,174 S * 11/2015 Roth D7/300.2

* cited by examiner

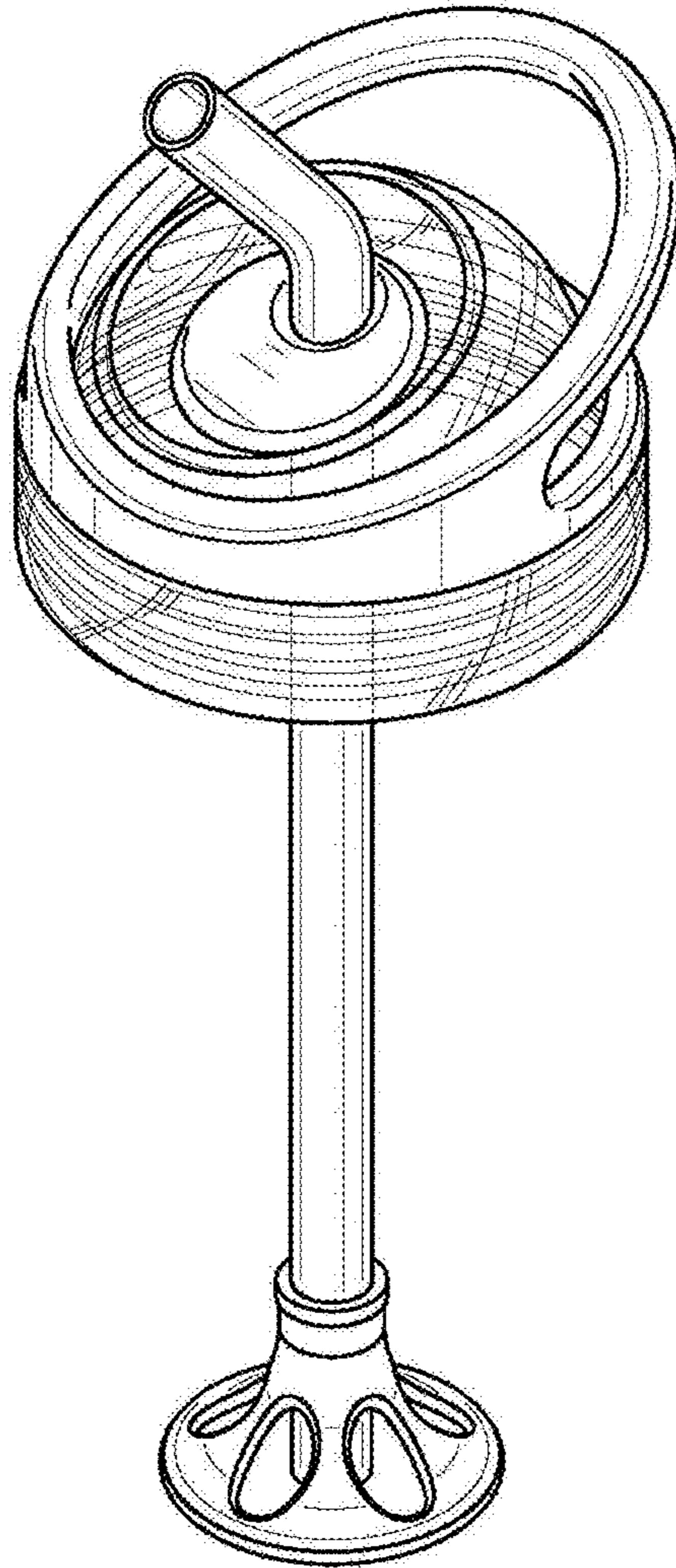


FIG. 1

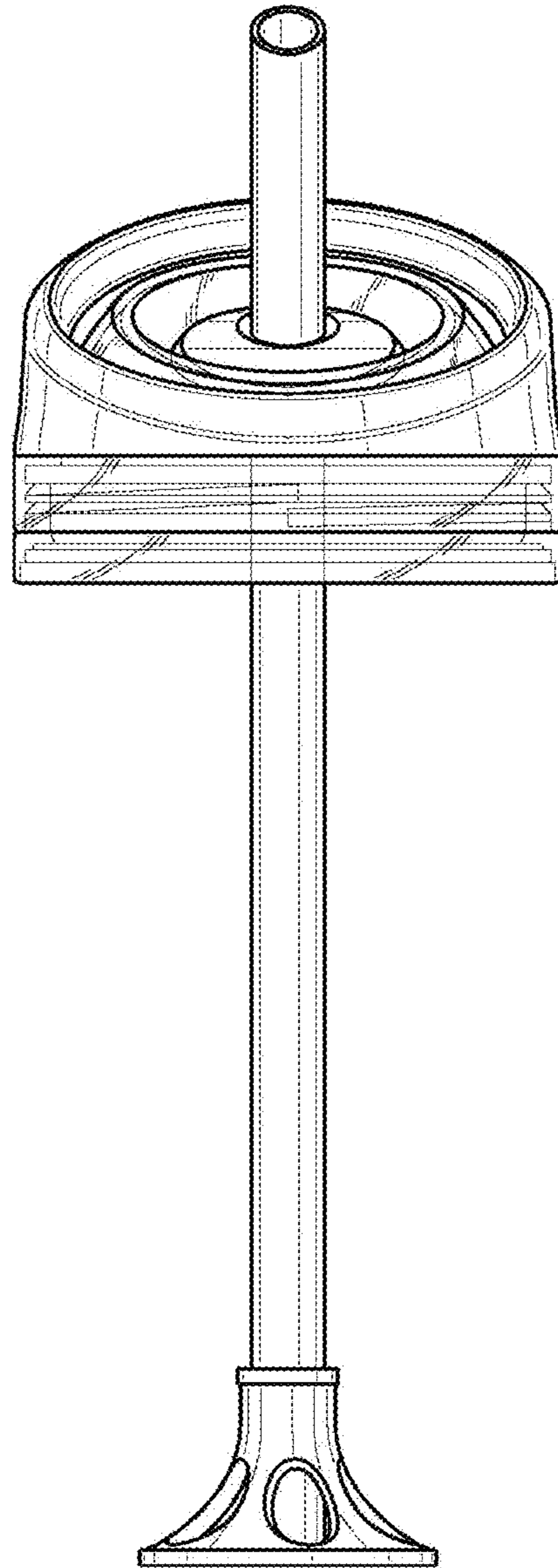


FIG. 2

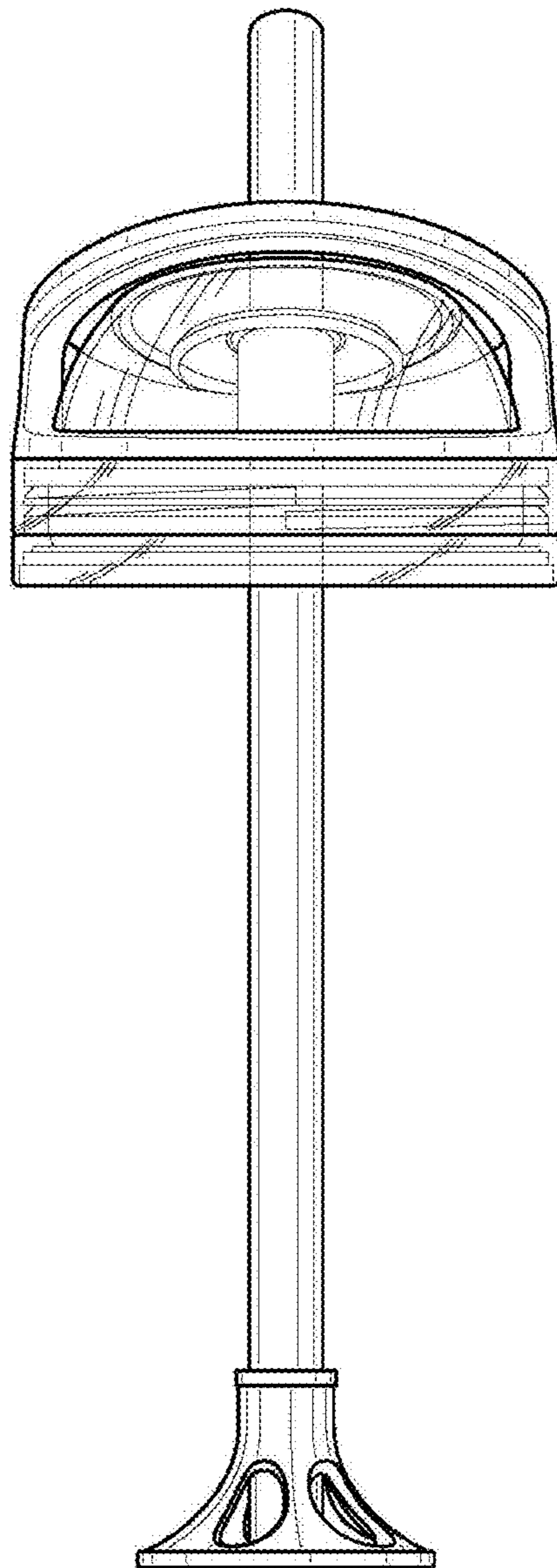


FIG. 3

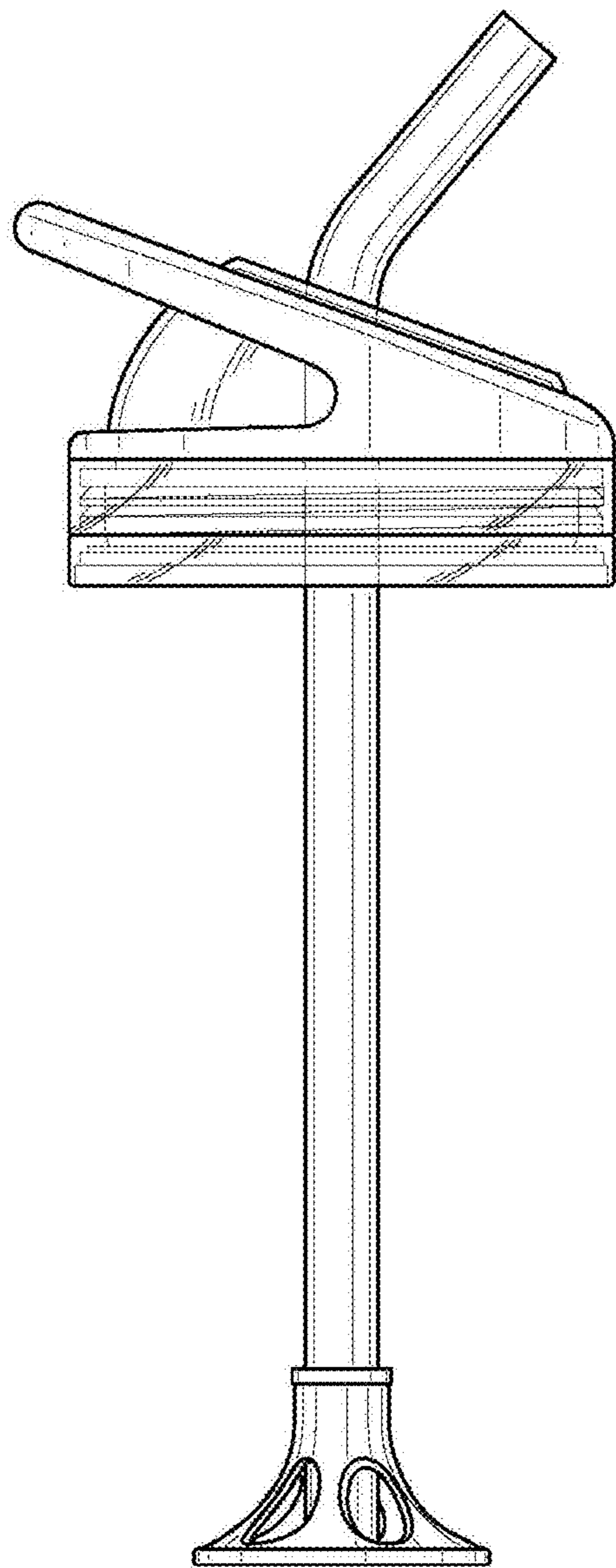


FIG. 4

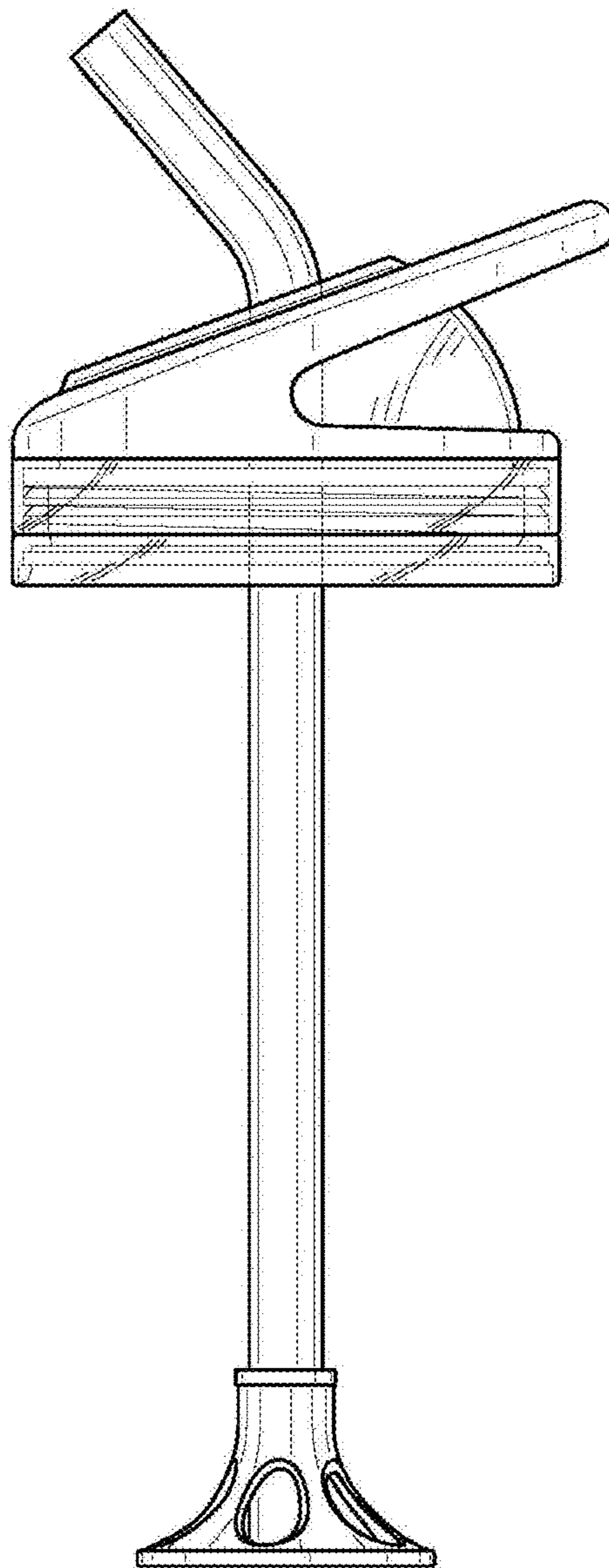


FIG. 5

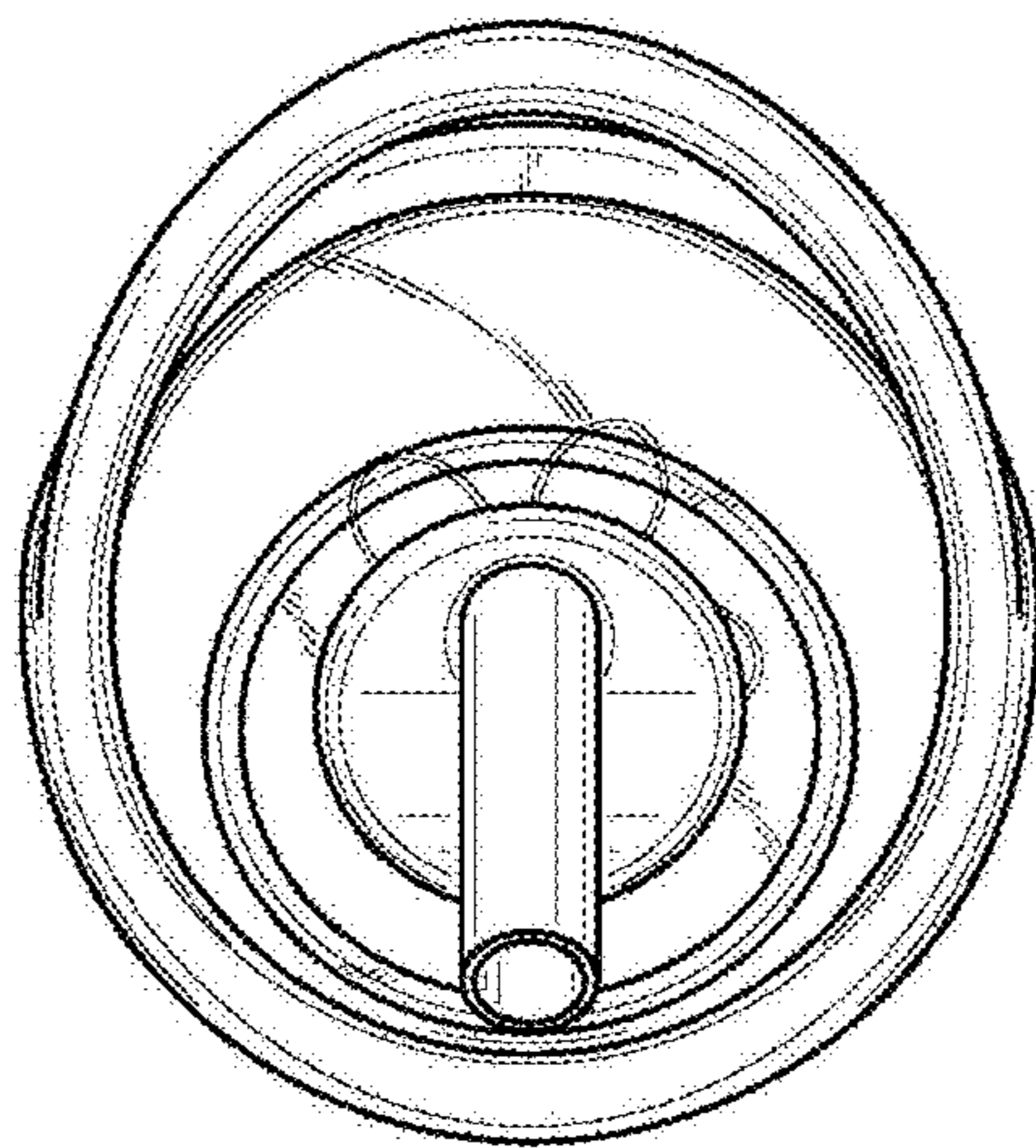


FIG. 6

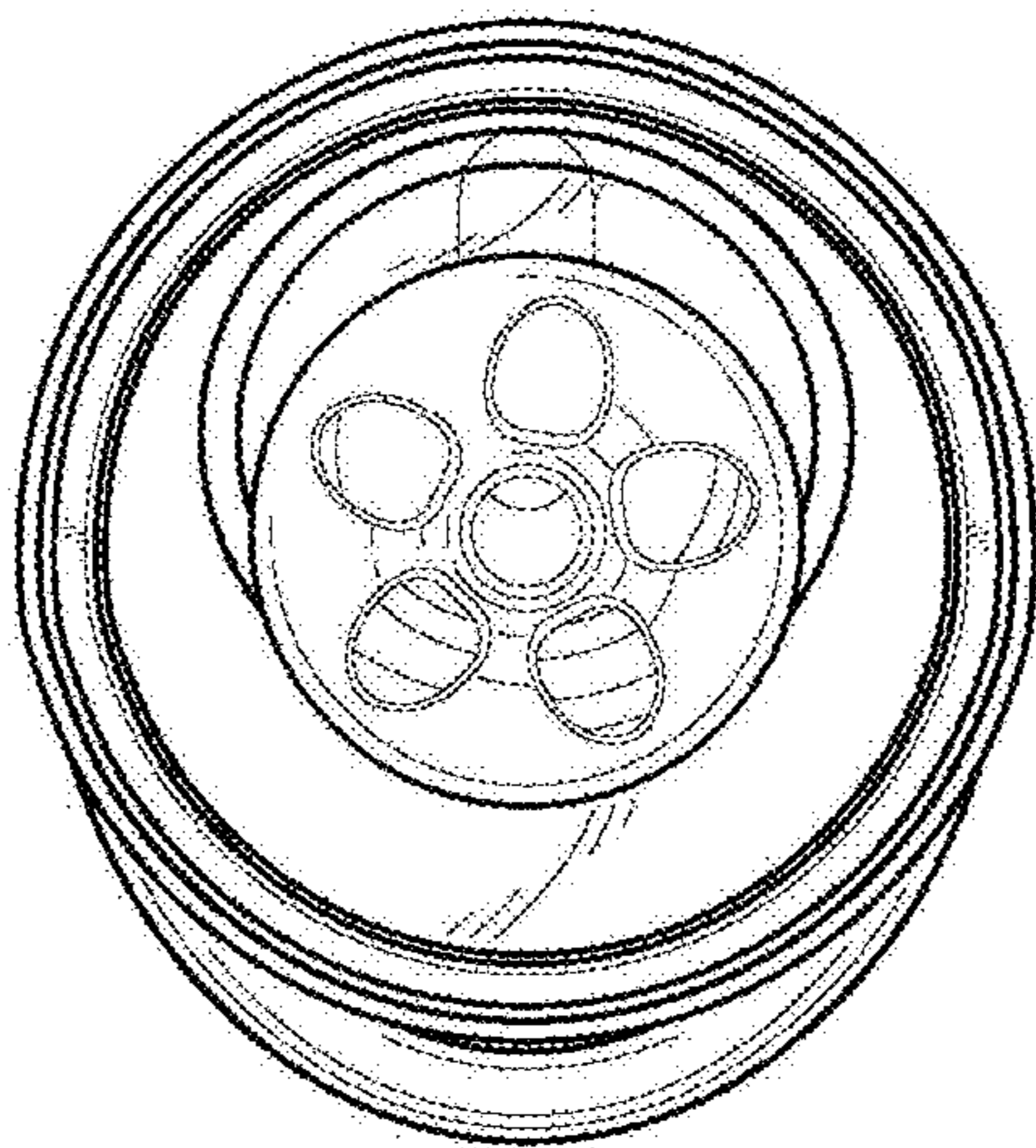


FIG. 7

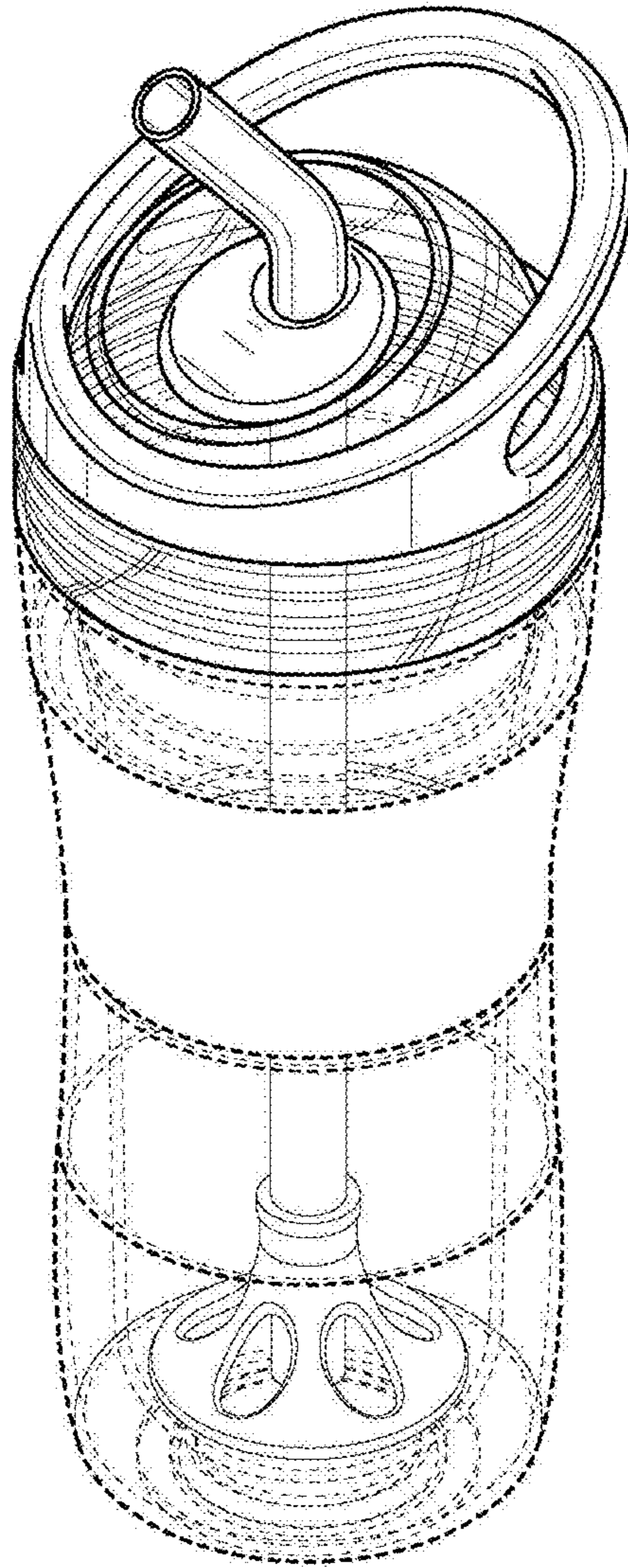


FIG. 8