

US00D781638S

(12) **United States Design Patent**  
**Chung et al.**

(10) **Patent No.:** **US D781,638 S**

(45) **Date of Patent:** **\*\* Mar. 21, 2017**

(54) **MICROWAVE OVEN**

(71) Applicant: **LG ELECTRONICS INC.**, Seoul (KR)

(72) Inventors: **Jae Hun Chung**, Seoul (KR); **In Hwan Ryu**, Seoul (KR); **Sang Woo Kim**, Seoul (KR)

(73) Assignee: **LG Electronics Inc.**, Seoul (KR)

(\*\*) Term: **14 Years**

(21) Appl. No.: **29/525,198**

(22) Filed: **Apr. 28, 2015**

(30) **Foreign Application Priority Data**

Nov. 13, 2014 (KR) ..... 30-2014-0054715

(51) **LOC (10) Cl.** ..... **07-02**

(52) **U.S. Cl.**  
USPC ..... **D7/351**

(58) **Field of Classification Search**  
USPC ..... D7/332-351, 362-367, 405; 219/756, 219/702; 426/234  
CPC ..... F24C 15/10; F24C 7/083; F24C 15/107; F24C 3/08-3/12; F24C 15/023; F24C 15/322; F24C 15/325; F24C 15/327; F24C 7/08; F24C 15/048; H05B 6/062; H05B 1/0266; H05B 6/763; H05B 6/6414; H05B 6/6417; F23D 14/06; F23D 2900/14062; F23D 14/105; F23D 14/045; A47J 37/0713

See application file for complete search history.

(56) **References Cited**

U.S. PATENT DOCUMENTS

D253,575 S *	12/1979	Scott	.....	D7/351
D299,306 S *	1/1989	Yoshida	.....	D7/351
D334,688 S *	4/1993	Kitae	.....	D7/351
D352,636 S *	11/1994	Nakamura	.....	D7/351
D403,201 S *	12/1998	Cruz	.....	D7/350.4
D413,482 S *	9/1999	Sugimoto	.....	D7/351

\* cited by examiner

*Primary Examiner* — Cynthia M Chin

(74) *Attorney, Agent, or Firm* — Birch, Stewart, Kolasch & Birch, LLP

(57) **CLAIM**

We claim the ornamental design for a microwave oven, as shown and described.

**DESCRIPTION**

FIG. 1 is a perspective view of a microwave oven showing our new design:

- FIG. 2 is a front elevation view thereof;
- FIG. 3 is a rear elevation view thereof;
- FIG. 4 is a left-side elevation view thereof;
- FIG. 5 is a right-side elevation view thereof;
- FIG. 6 is a top plan view thereof; and,
- FIG. 7 is a bottom plan view thereof.

The broken lines in the drawing figures are included for the purpose of illustrating environment and form no part of the claimed design. The portions of the article shown in broken lines form no part of the claimed design.

**1 Claim, 4 Drawing Sheets**

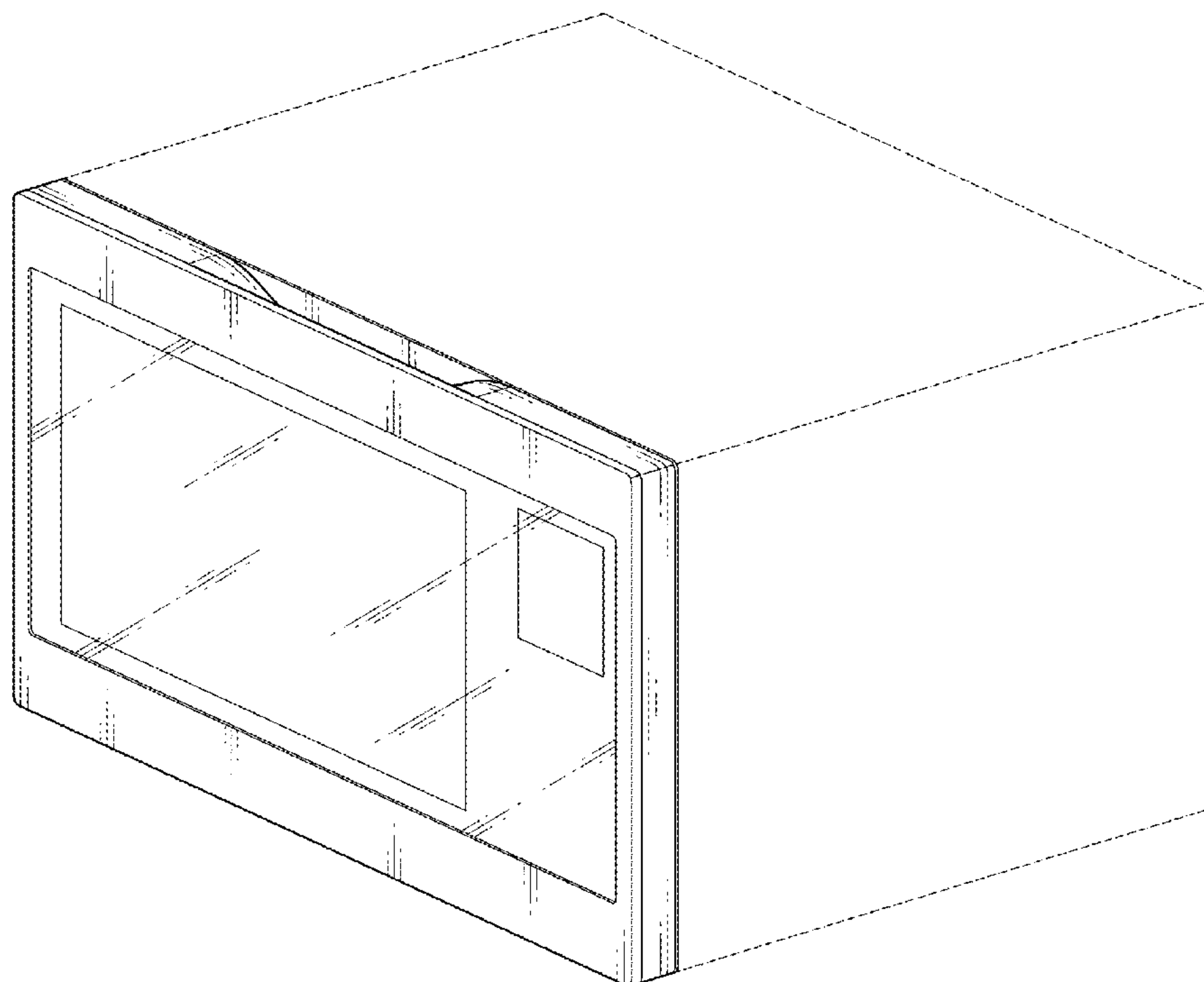


FIG. 1

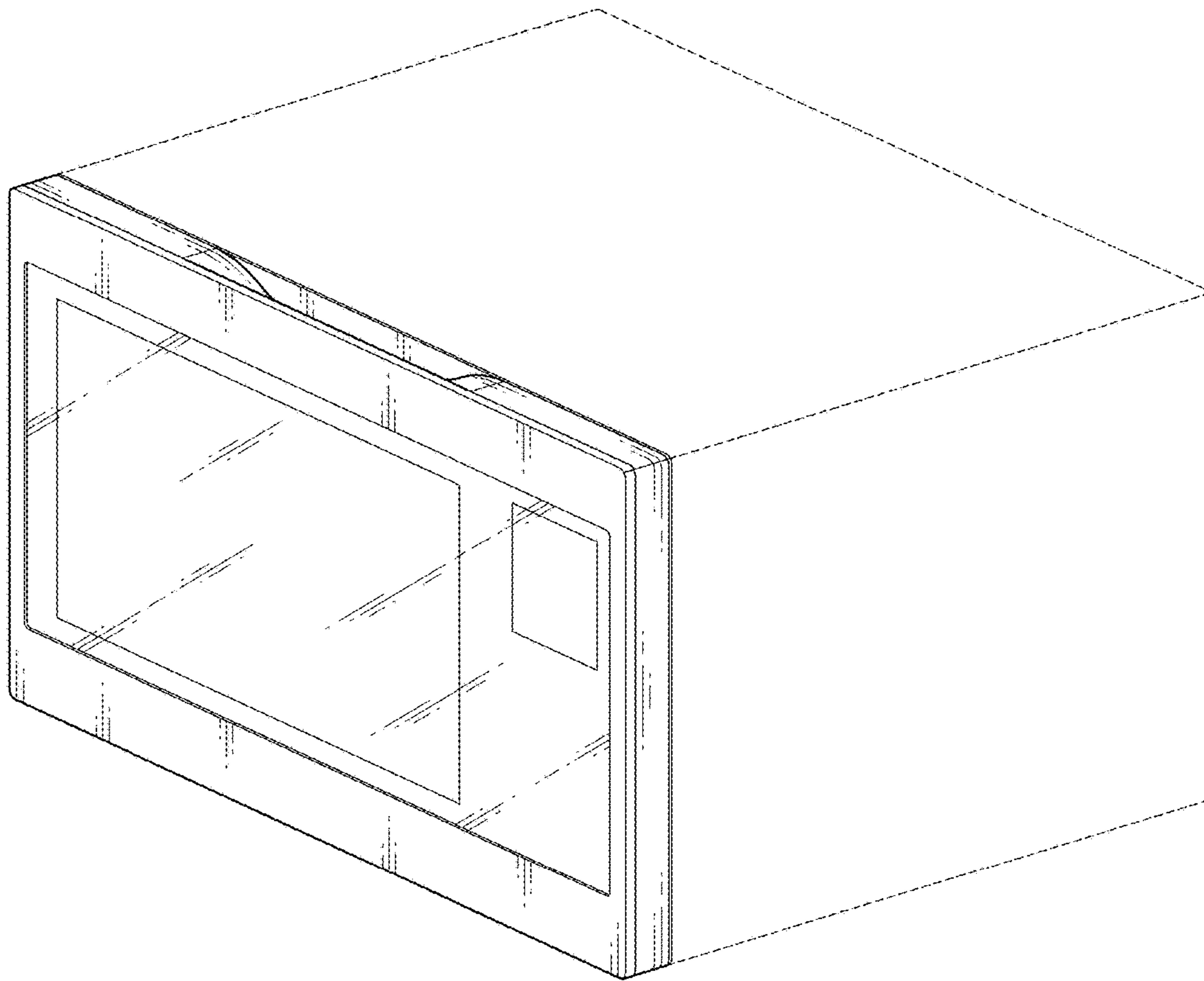


FIG. 2

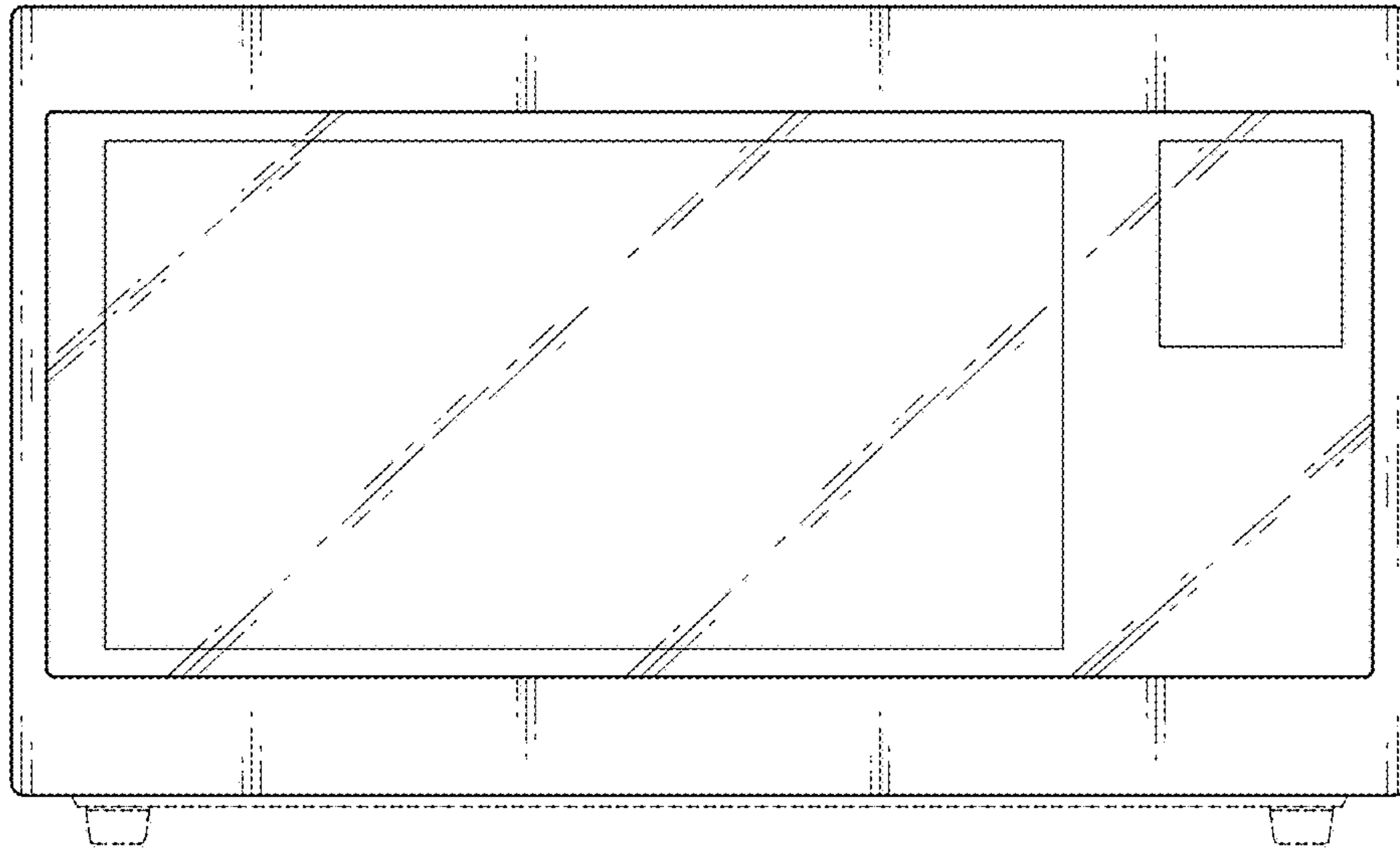


FIG. 3



FIG. 4

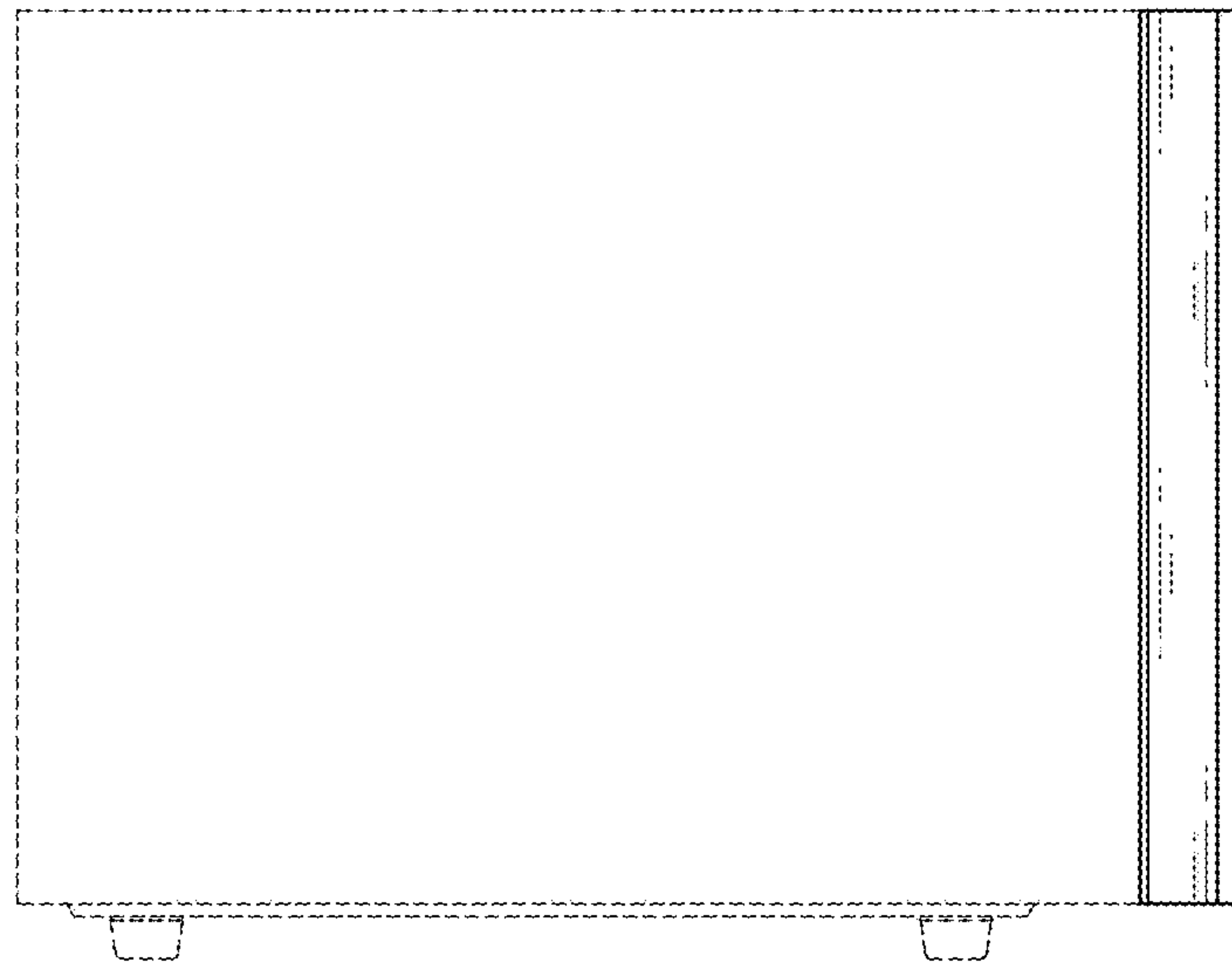


FIG. 5

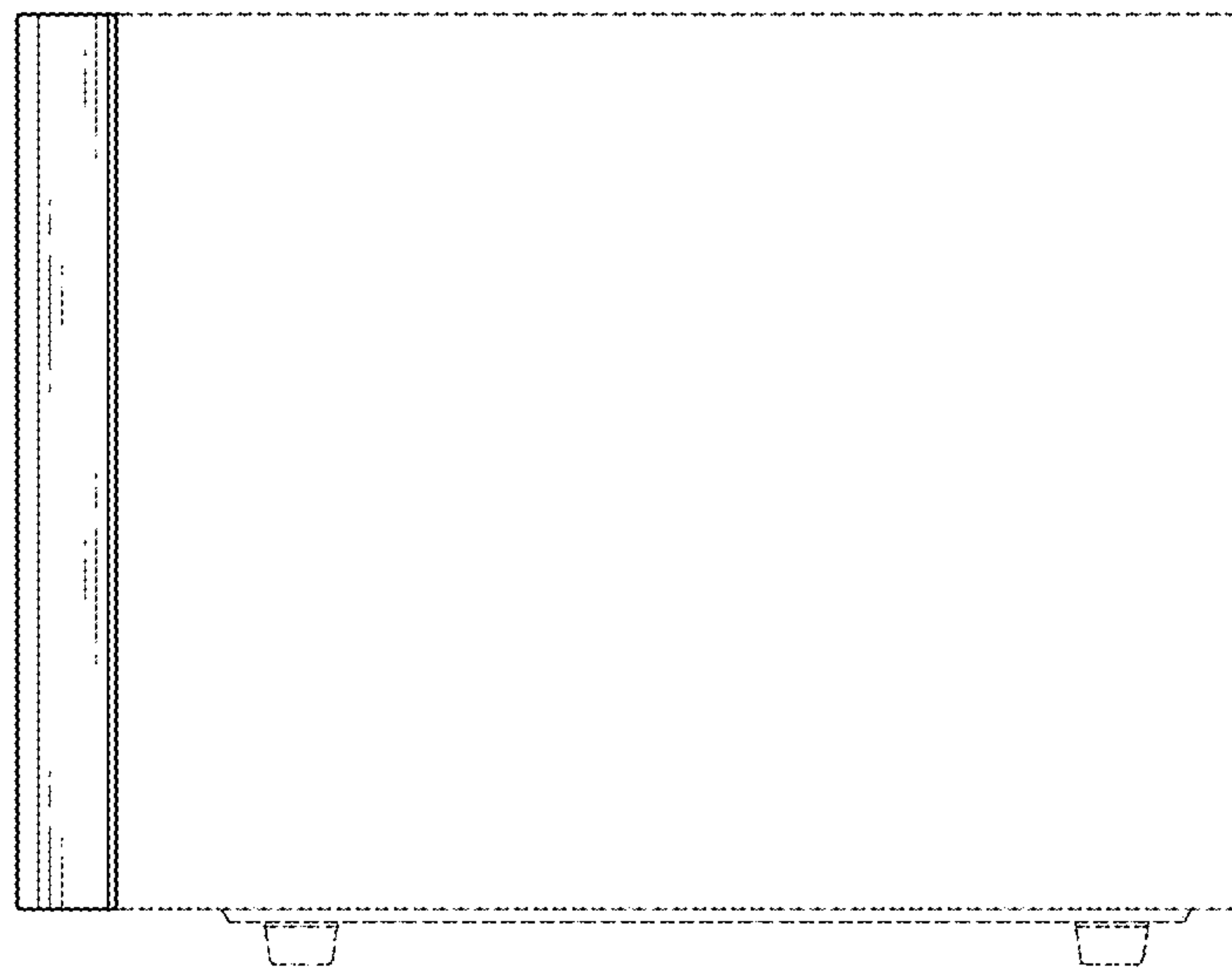


FIG. 6

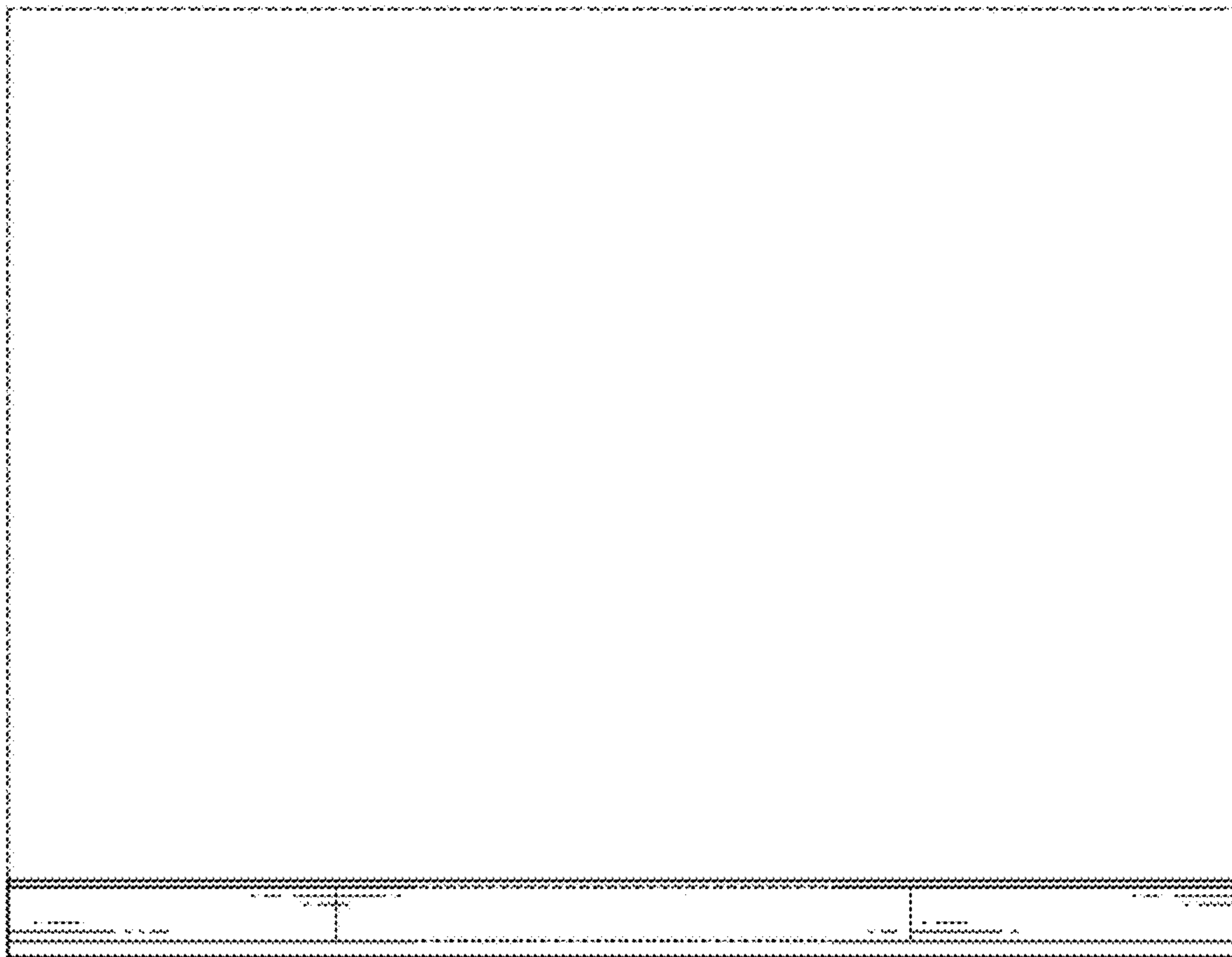


FIG. 7

