



US00D781637S

(12) **United States Design Patent**
Mercier

(10) **Patent No.:** **US D781,637 S**
(45) **Date of Patent:** **** Mar. 21, 2017**

- (54) **PIZZA BOX OVEN**
- (71) Applicant: **Pierre Mercier**, Laval (CA)
- (72) Inventor: **Pierre Mercier**, Laval (CA)
- (73) Assignee: **Telasia Inc.**, Laval, Quebec (CA)
- (**) Term: **14 Years**
- (21) Appl. No.: **29/523,951**
- (22) Filed: **Apr. 15, 2015**
- (51) **LOC (10) Cl.** **07-02**
- (52) **U.S. Cl.**
USPC **D7/350.1; D7/348; D7/352**
- (58) **Field of Classification Search**
USPC ... D7/323, 332, 334-337, 348, 350.1-350.4,
D7/351, 352, 402-405, 417, 338; D9/433
CPC A47J 37/0704; A47J 37/0763; A47J
37/0745; A47J 37/0713; A47J 37/0768;
A47J 37/079; A47J 36/26; A47J 39/00;
F24B 1/205; F24B 1/02; F24B 15/04;
F24C 3/14; F24C 3/027; F24C 15/08;
F47J 33/00; B65D 7/26; B65D 7/24;
B65D 85/1045; B65D 85/18; A23B 4/052
See application file for complete search history.

(56) **References Cited**
U.S. PATENT DOCUMENTS

- D195,801 S * 7/1963 Carpenter D7/352
- D213,931 S * 4/1969 Bardeau D7/352

- D235,610 S * 7/1975 Giguere D7/352
- D242,975 S * 1/1977 Daher D7/352
- 4,134,004 A * 1/1979 Anderson A21B 1/52
219/202
- D271,268 S * 11/1983 Salzmann D7/346
- 4,922,626 A * 5/1990 Fiddler F26B 21/083
34/80
- D502,630 S * 3/2005 Lubowicki D7/352
- D725,430 S * 3/2015 Krolick D7/323
- D732,333 S * 6/2015 Mercier D7/323
- 2006/0102167 A1 * 5/2006 Driscoll A47J 37/0623
126/275 R
- 2013/0161319 A1 * 6/2013 Holey B65D 81/263
220/4.01

* cited by examiner

Primary Examiner — Cynthia M Chin
(74) *Attorney, Agent, or Firm* — Eugene J. A. Gierczak

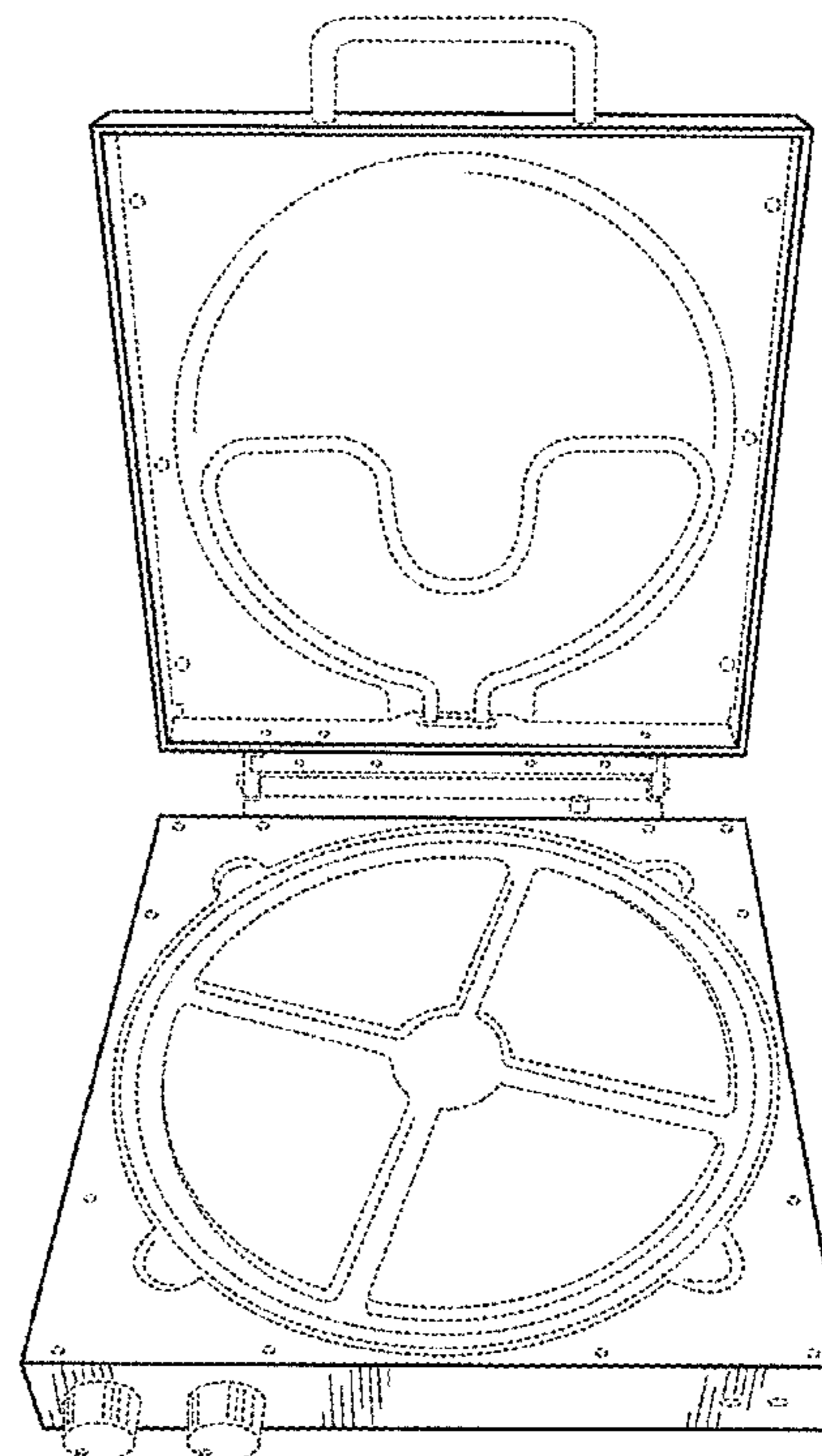
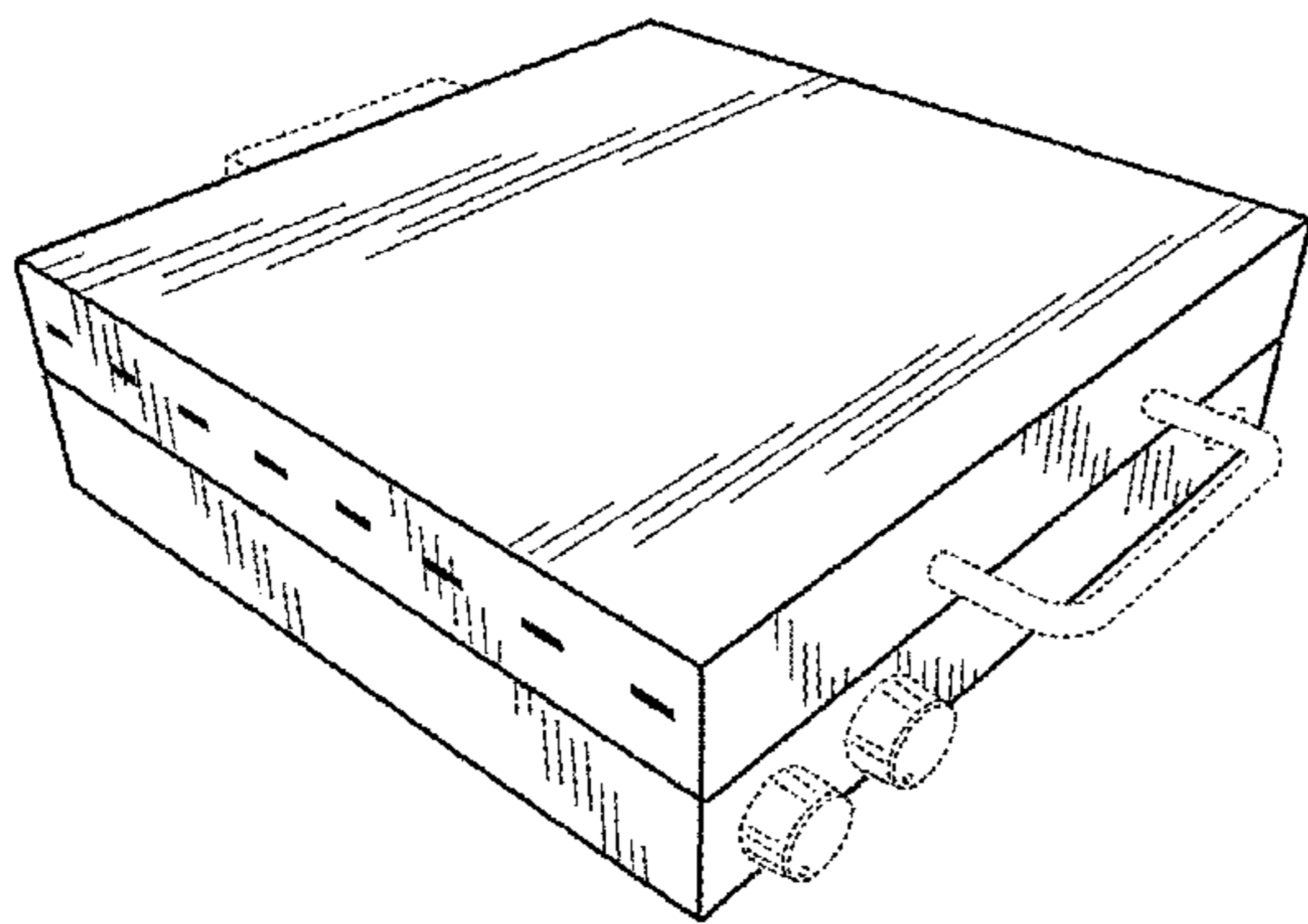
(57) **CLAIM**

The ornamental design for the “pizza box oven,” as shown and described.

DESCRIPTION

FIG. 1 is a top perspective view of the pizza box oven; FIG. 2 is a bottom perspective view of the pizza box oven; FIG. 3 is a left side elevation view of the pizza box oven; FIG. 4 is a front elevation view of the pizza box oven; FIG. 5 is a right side elevation view of the pizza box oven; FIG. 6 is a rear elevation view of the pizza box oven; FIG. 7 is a top view of the pizza box oven; FIG. 8 is a bottom view of the pizza box oven; and, FIG. 9 is a perspective open view of the pizza box oven.

1 Claim, 9 Drawing Sheets



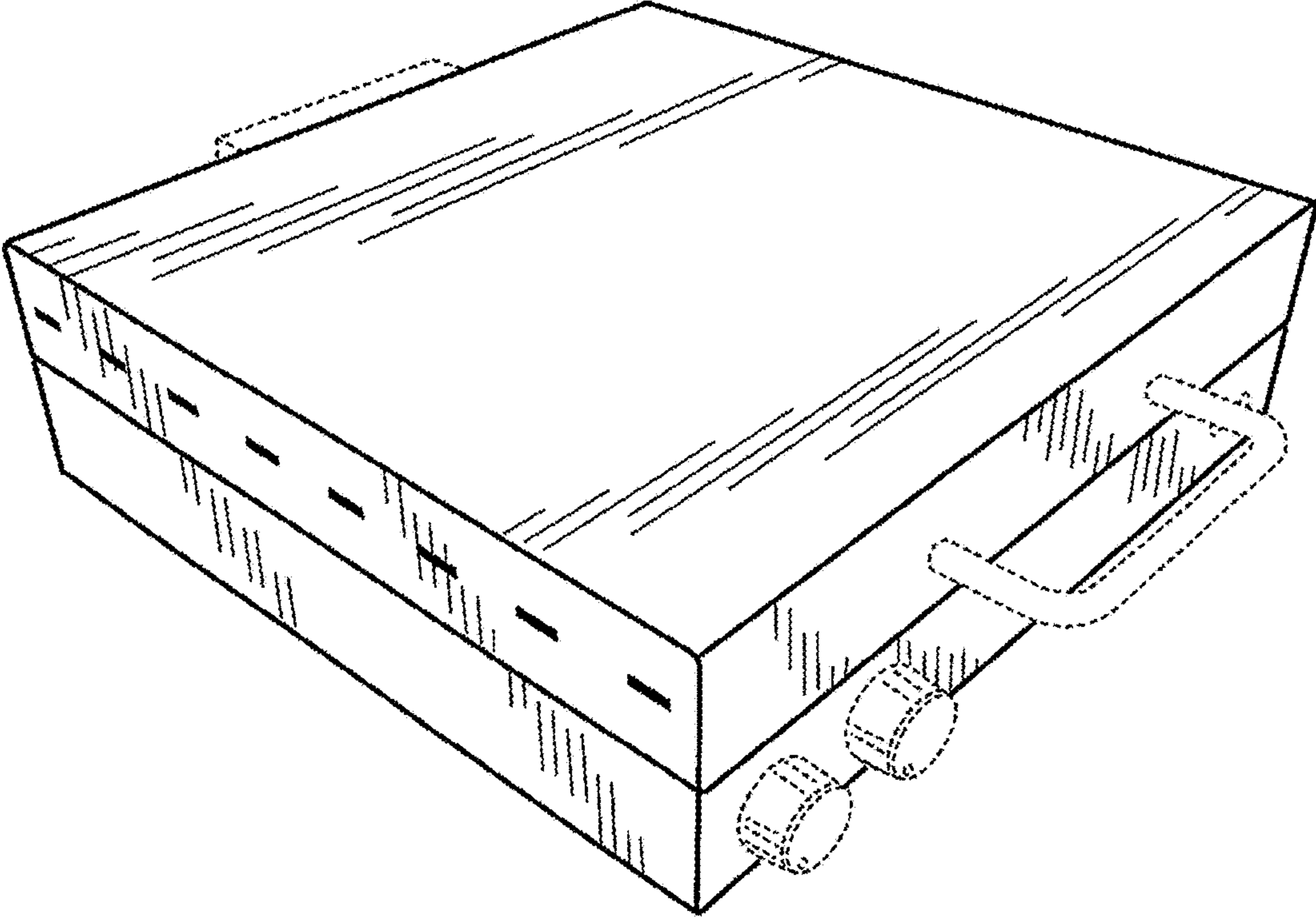


FIGURE 1

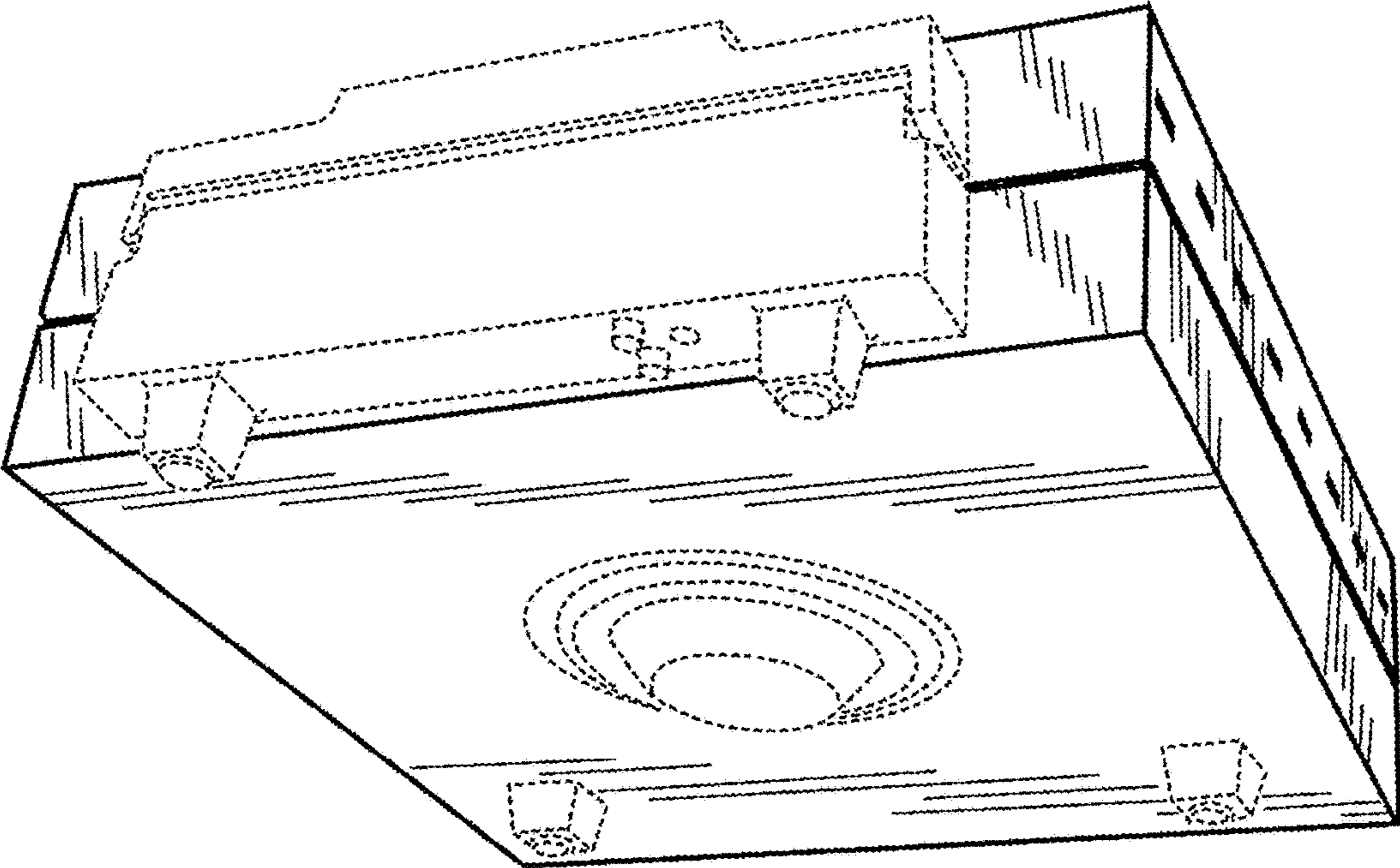


FIGURE 2

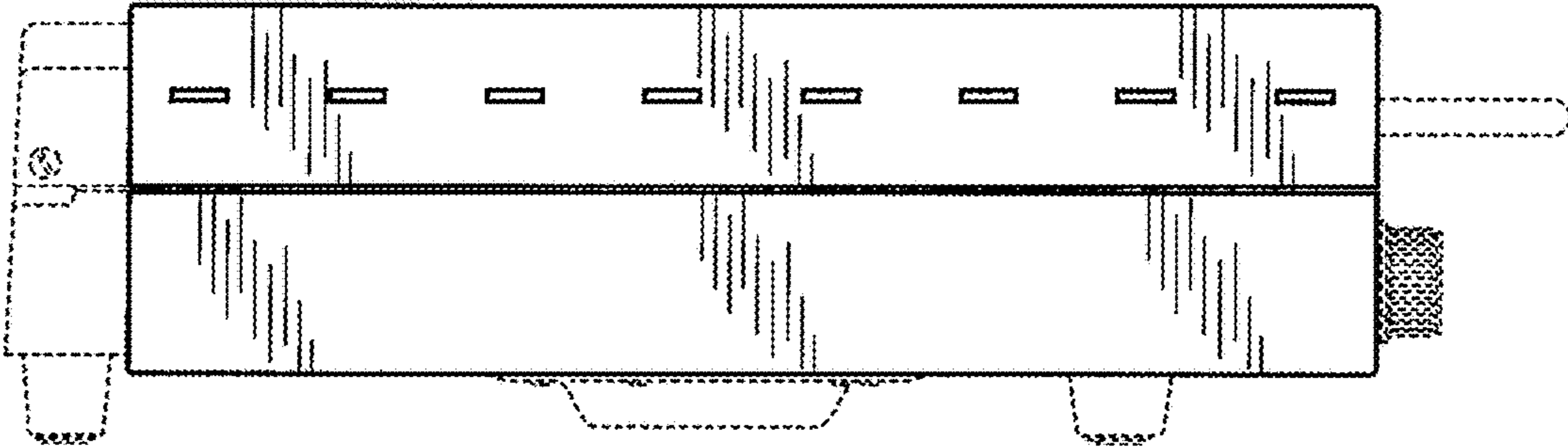


FIGURE 3

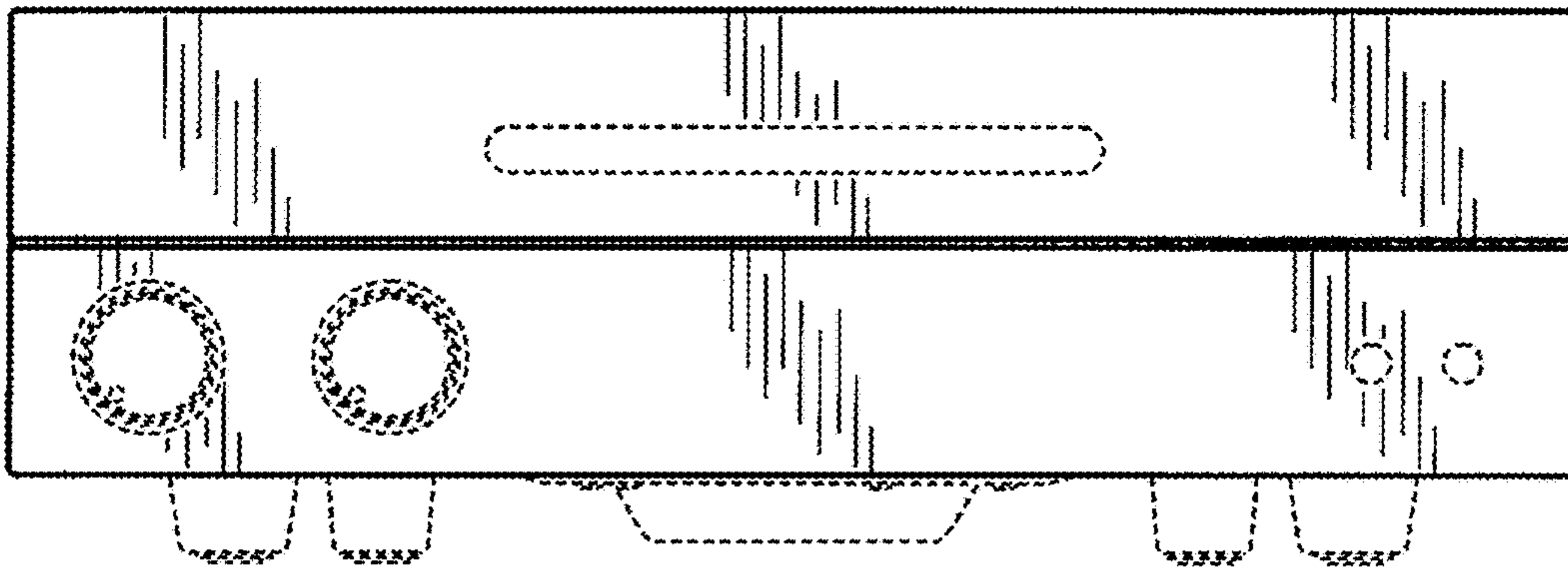


FIGURE 4

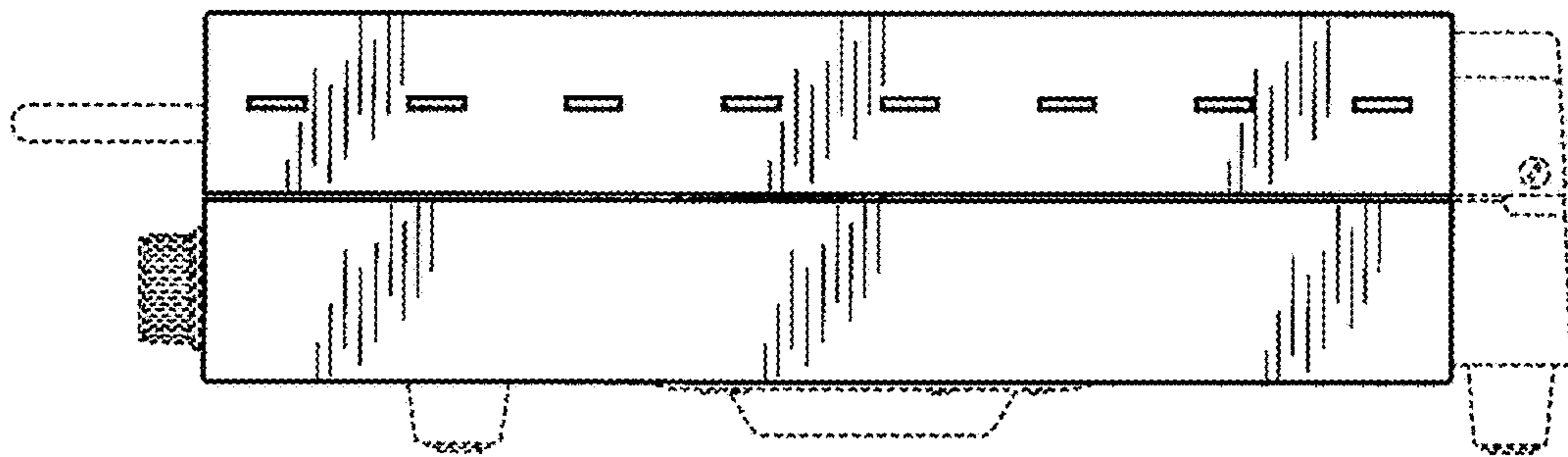


FIGURE 5

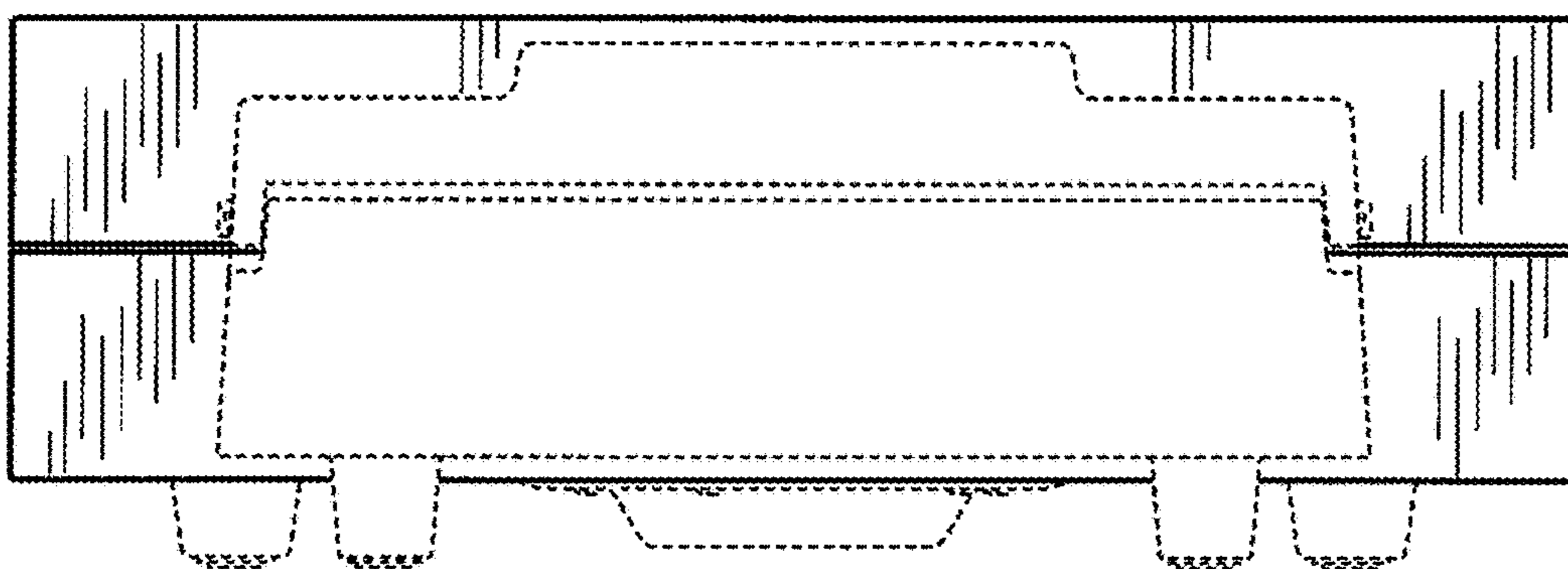


FIGURE 6

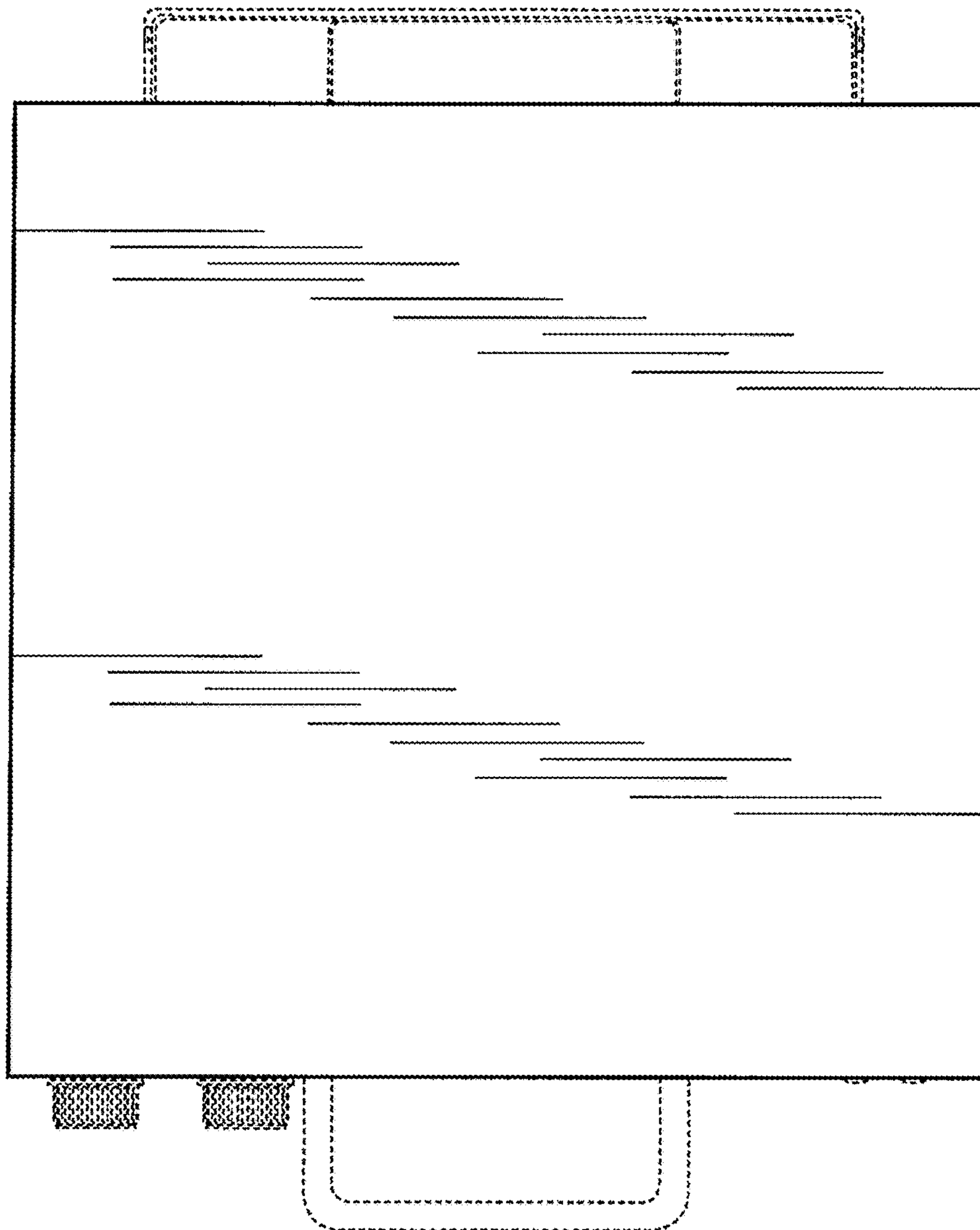


FIGURE 7

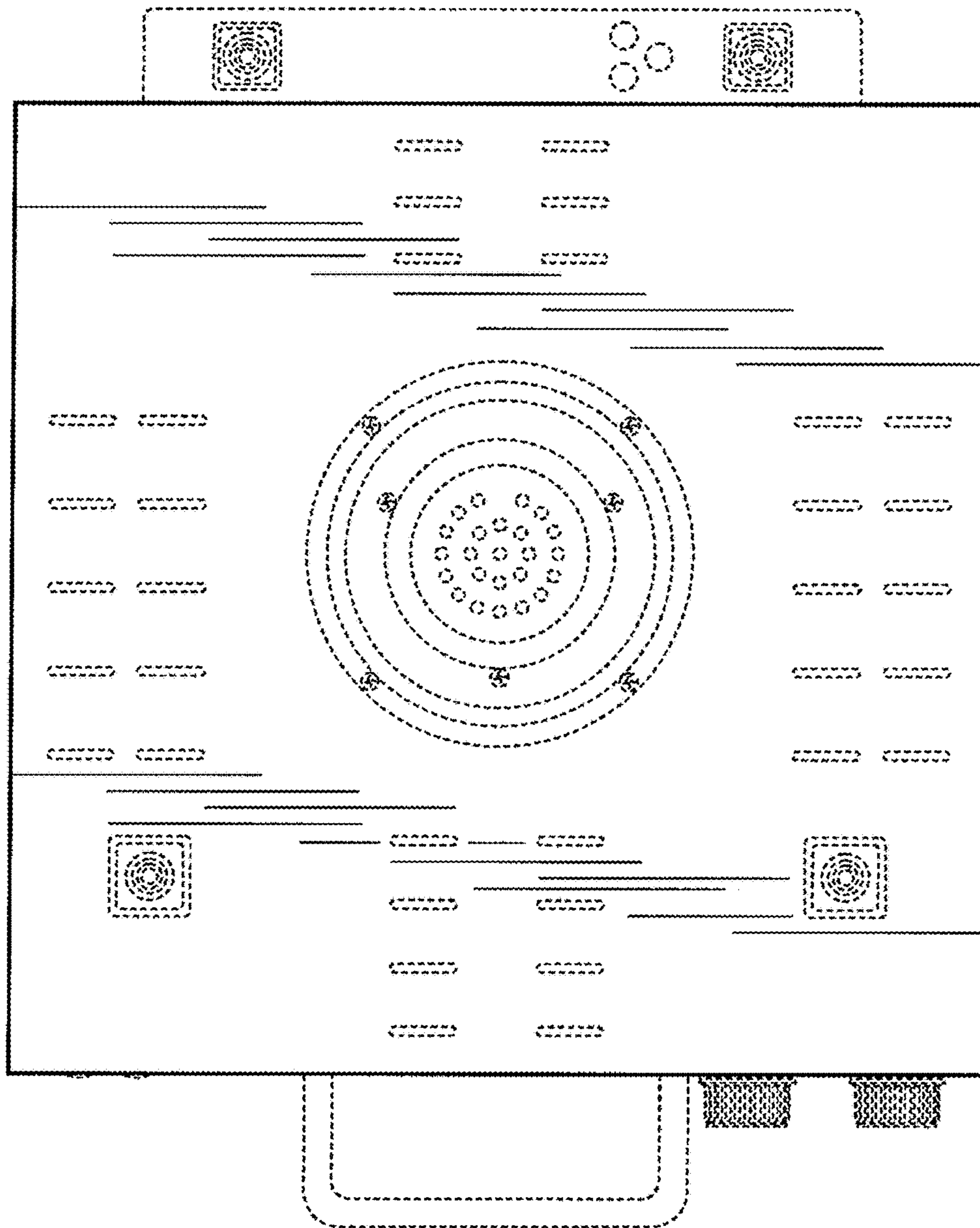


FIGURE 8

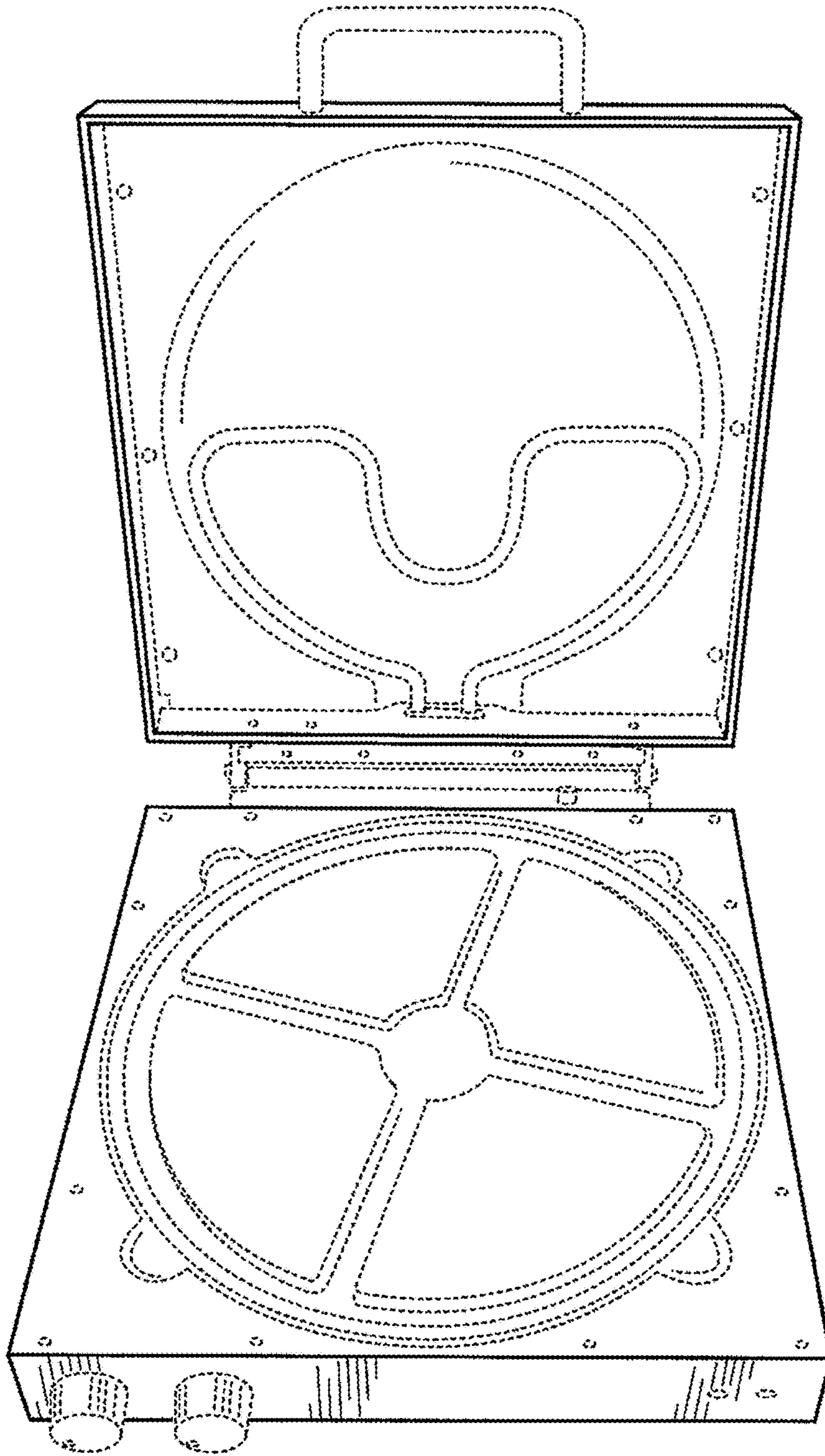


FIGURE 9