



US00D781636S

(12) **United States Design Patent**
Kim et al.

(10) **Patent No.:** **US D781,636 S**
(45) **Date of Patent:** **** Mar. 21, 2017**

(54) **OVEN**

(56) **References Cited**

(71) Applicant: **Samsung Electronics Co., Ltd.**,
Suwon-si (KR)
(72) Inventors: **Binna Kim**, Seoul (KR); **Seungwook Suh**,
Goyang-si (KR); **Hyeongju Seo**, Seoul (KR); **Woojoo Choi**,
Anyang-si (KR)
(73) Assignee: **SAMSUNG ELECTRONICS CO., LTD.**,
Suwon-si (KR)
(**) Term: **15 Years**

U.S. PATENT DOCUMENTS

D428,304 S	7/2000	Holbrook	
D586,619 S *	2/2009	Pino	D7/405
D625,557 S *	10/2010	Pino	D7/405
D646,111 S *	10/2011	Kim	D7/348
D658,439 S *	5/2012	Curtis	D7/405
D662,349 S *	6/2012	Ho	D7/350.1
D663,156 S *	7/2012	Curtis	D7/350.1
D664,388 S *	7/2012	Park	D7/348
D669,297 S *	10/2012	Tanaka	D7/349
D673,000 S *	12/2012	De' Longhi	D7/350.1
D678,711 S *	3/2013	Reiner	D7/350.1
D736,554 S *	8/2015	Steiner	D7/350.1

(Continued)

(21) Appl. No.: **29/554,618**

FOREIGN PATENT DOCUMENTS

(22) Filed: **Feb. 12, 2016**

EM	000586813-0003	10/2006
EM	001852450-0002	4/2013

(30) **Foreign Application Priority Data**

Aug. 28, 2015 (KR) 30-2015-0043529

(51) **LOC (10) Cl.** **07-02**

(52) **U.S. Cl.**
USPC **D7/348; 349/350.1**

(58) **Field of Classification Search**
USPC D7/402, 405, 351, 323, 338, 346, 347,
D7/349, 348, 350.1; 219/678; D8/303,
D8/308

CPC H05B 6/763; H05B 6/6414; H05B 6/6408;
Y02B 40/14; Y02B 40/143; Y02B
40/146; F24C 15/02; F24C 1/00; F24C
14/00; F24C 3/00; F24C 5/00; F24C
7/00; A47J 37/00; A47J 37/06; A47J
37/0611; A47J 37/08; A47J 37/0807;
A47J 37/0814; A47J 37/0835; A47J
37/085; A47J 37/0864; A47J 37/0878;
A47J 37/0885; A47J 37/0892

See application file for complete search history.

Primary Examiner — Robin V Webster

Assistant Examiner — James Thorn, Sr.

(74) *Attorney, Agent, or Firm* — McAndrews Held &
Malloy, Ltd.

(57) **CLAIM**

The ornamental design for an oven, as shown and described.

DESCRIPTION

FIG. 1 is a top perspective view of an oven showing our new design;

FIG. 2 is a front elevation view thereof;

FIG. 3 is a rear elevation view thereof;

FIG. 4 is a left-side elevation view thereof;

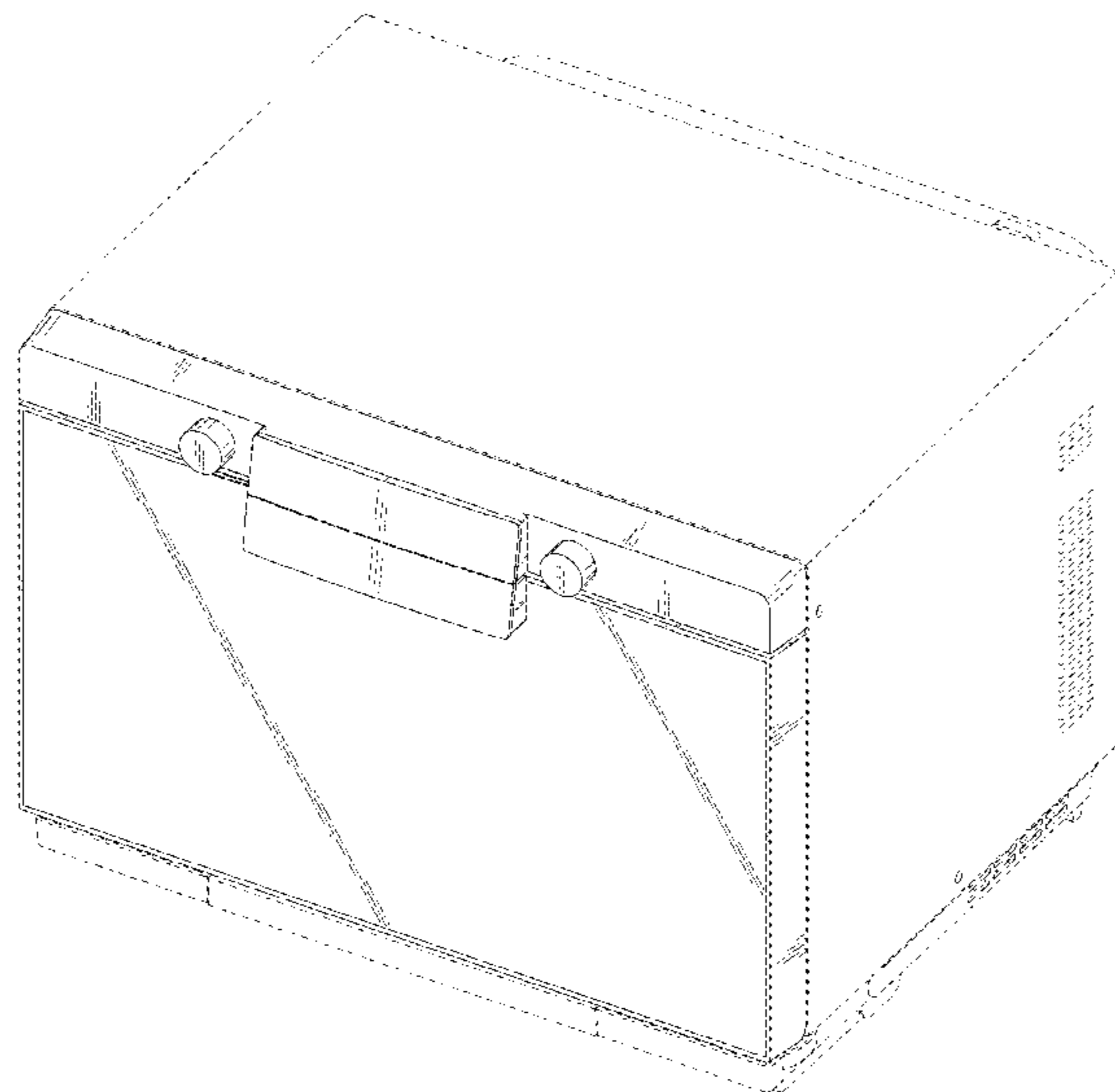
FIG. 5 is a right-side elevation view thereof;

FIG. 6 is a top plan view thereof; and,

FIG. 7 is a bottom plan view thereof.

The dashed broken lines in the figures depict portions of the oven that form no part of the claimed design.

1 Claim, 7 Drawing Sheets



(56)

References Cited

U.S. PATENT DOCUMENTS

D738,672	S *	9/2015	Baacke	D7/348
D742,163	S *	11/2015	De'Longhi	D7/350.1
D746,625	S *	1/2016	Miller	D7/350.1
D764,227	S *	8/2016	Jeon	D7/402
2014/0070685	A1 *	3/2014	Yantis	F24C 15/02
					312/319.2
2016/0033141	A1 *	2/2016	Rizzuto	F24C 7/085
					219/396
2016/0066367	A1 *	3/2016	Hoehn	F24C 15/04
					219/682

* cited by examiner

FIG. 1

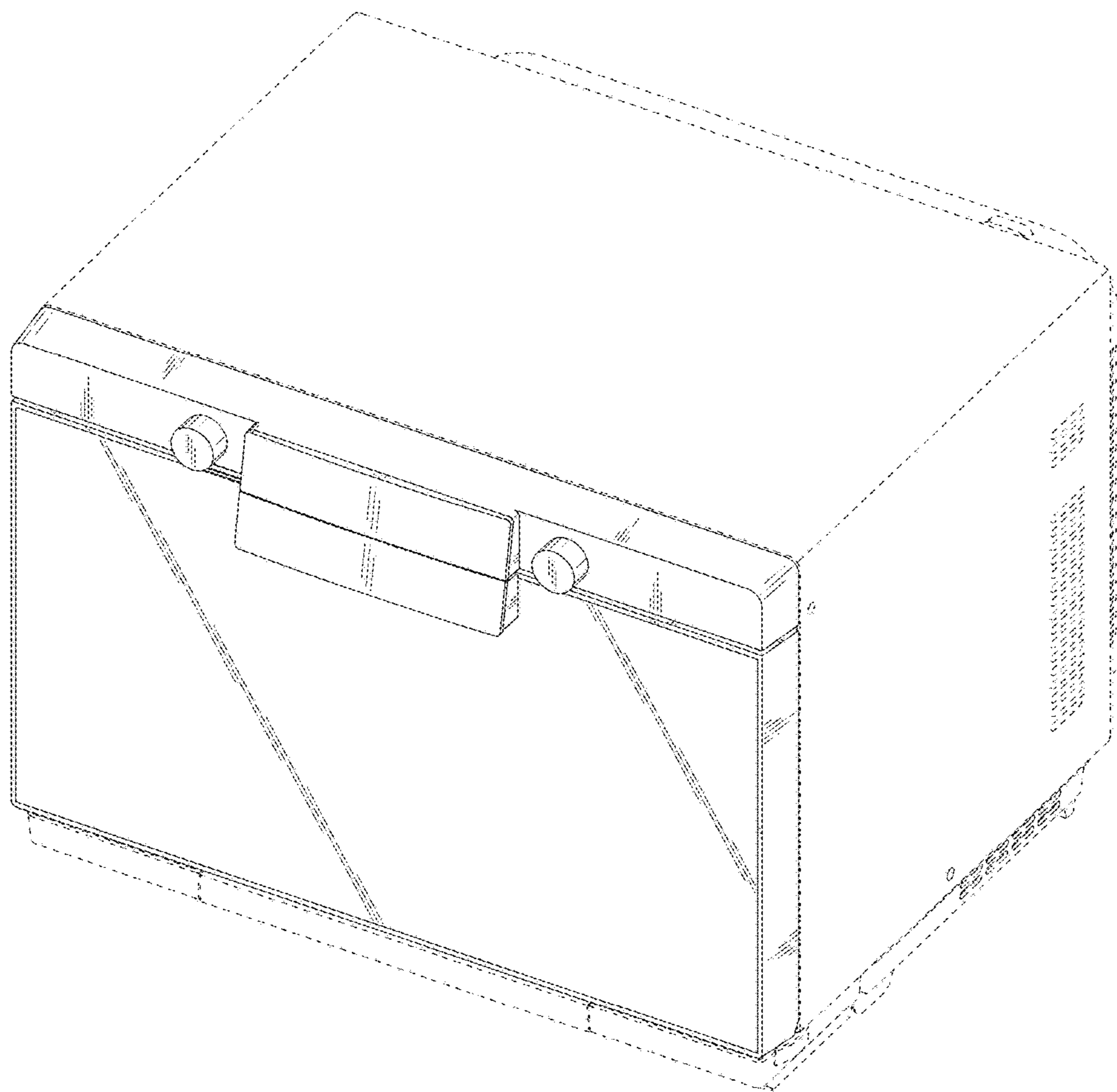


FIG. 2

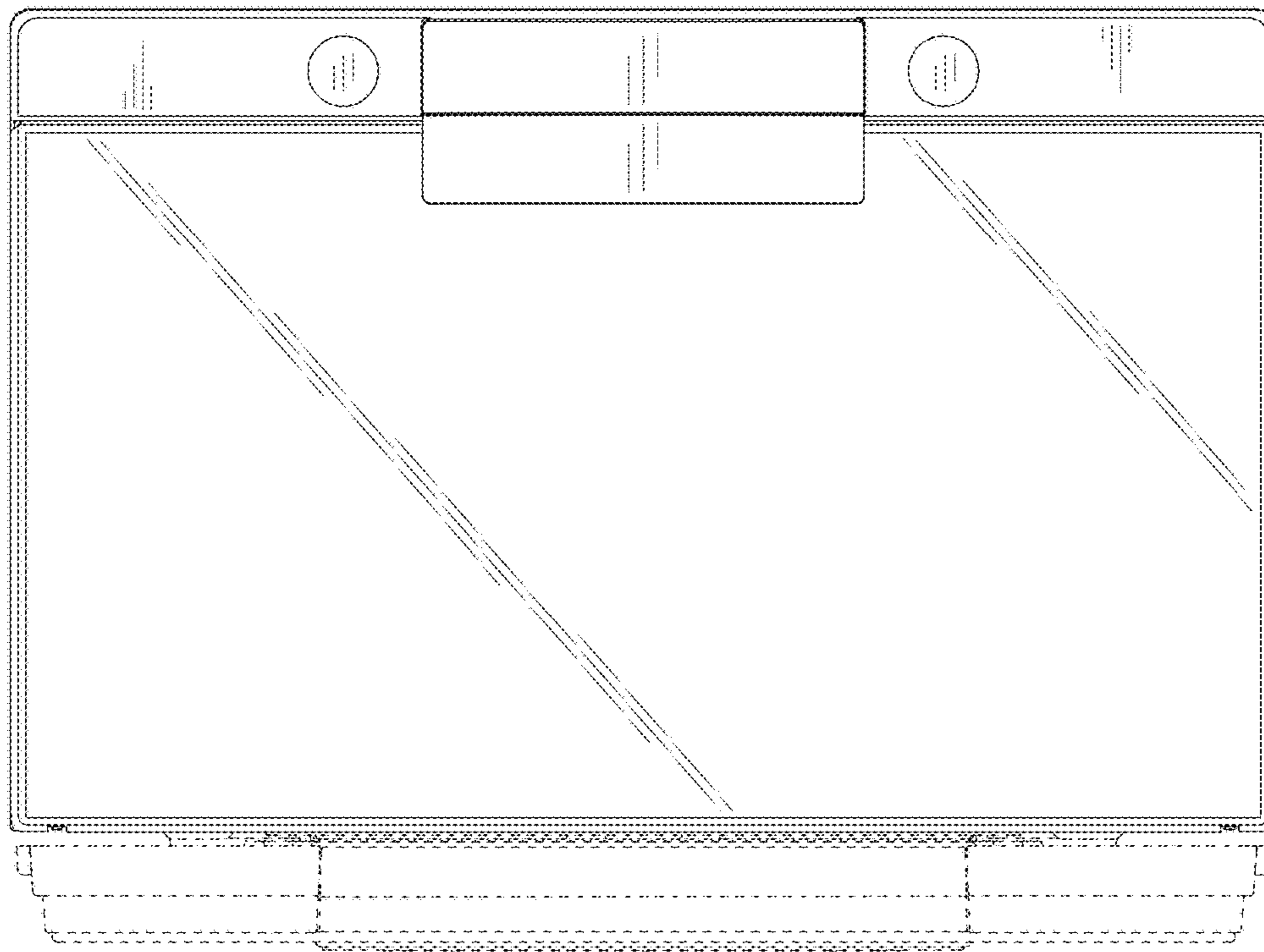


FIG. 3

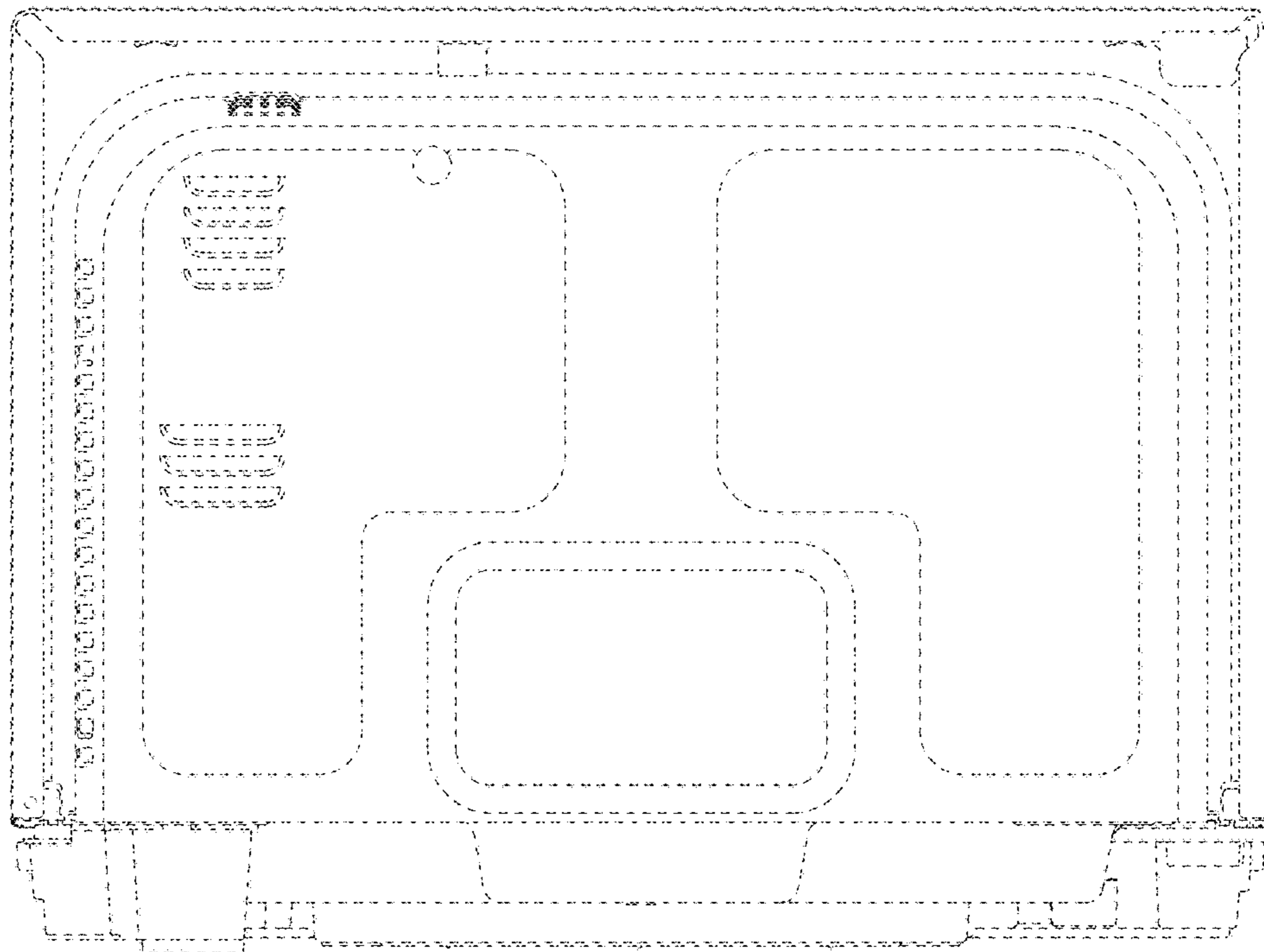


FIG. 4

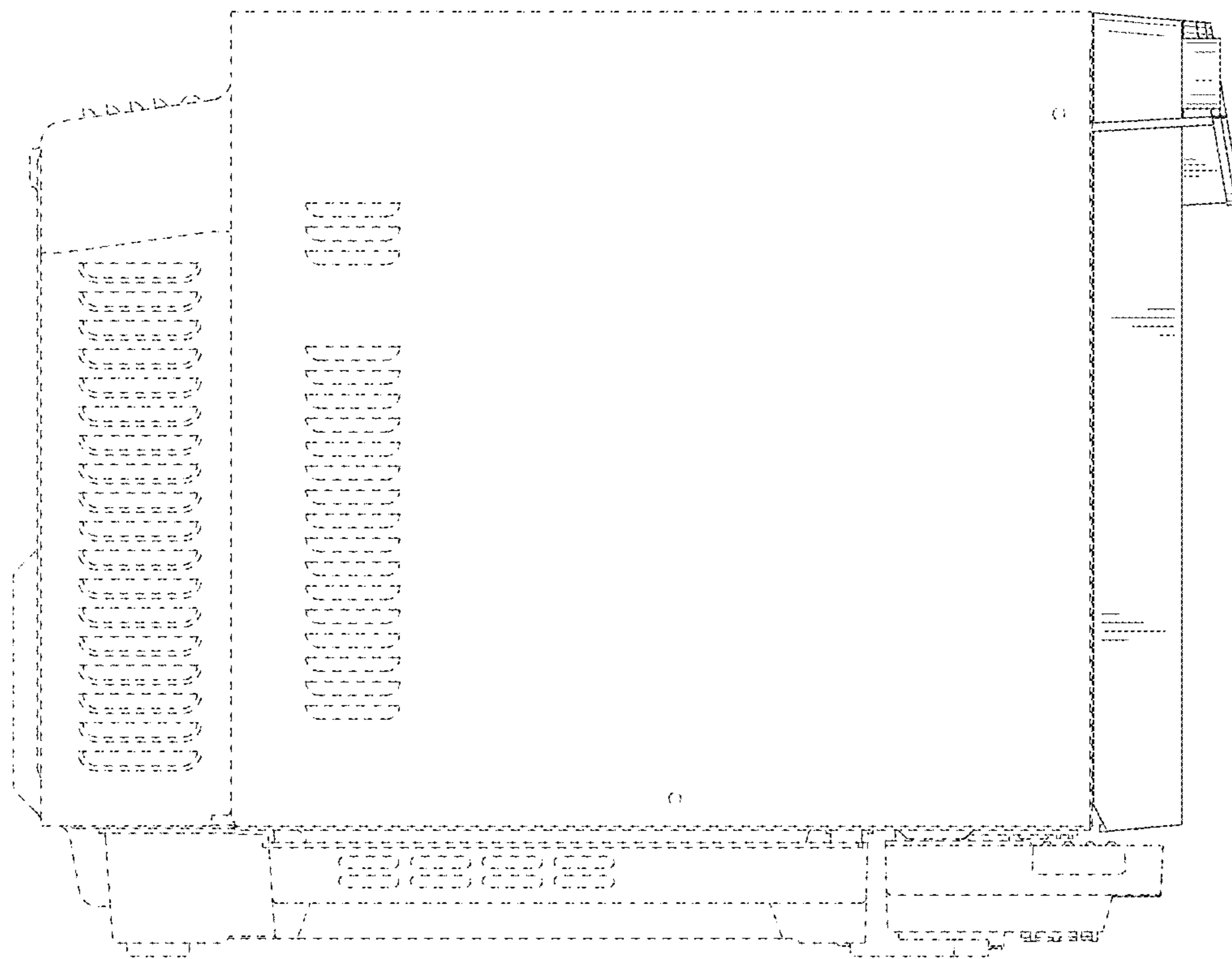


FIG. 5

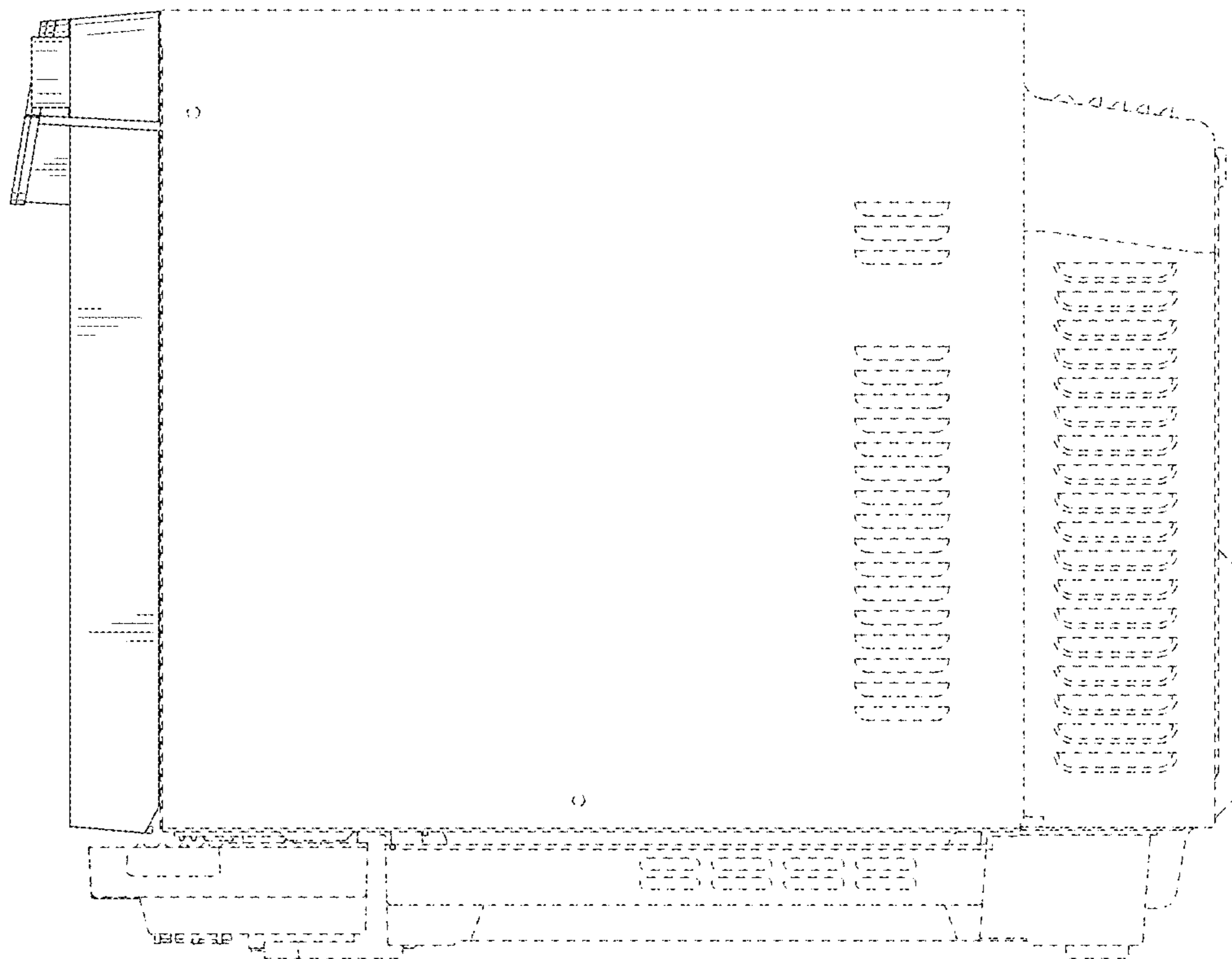


FIG. 6

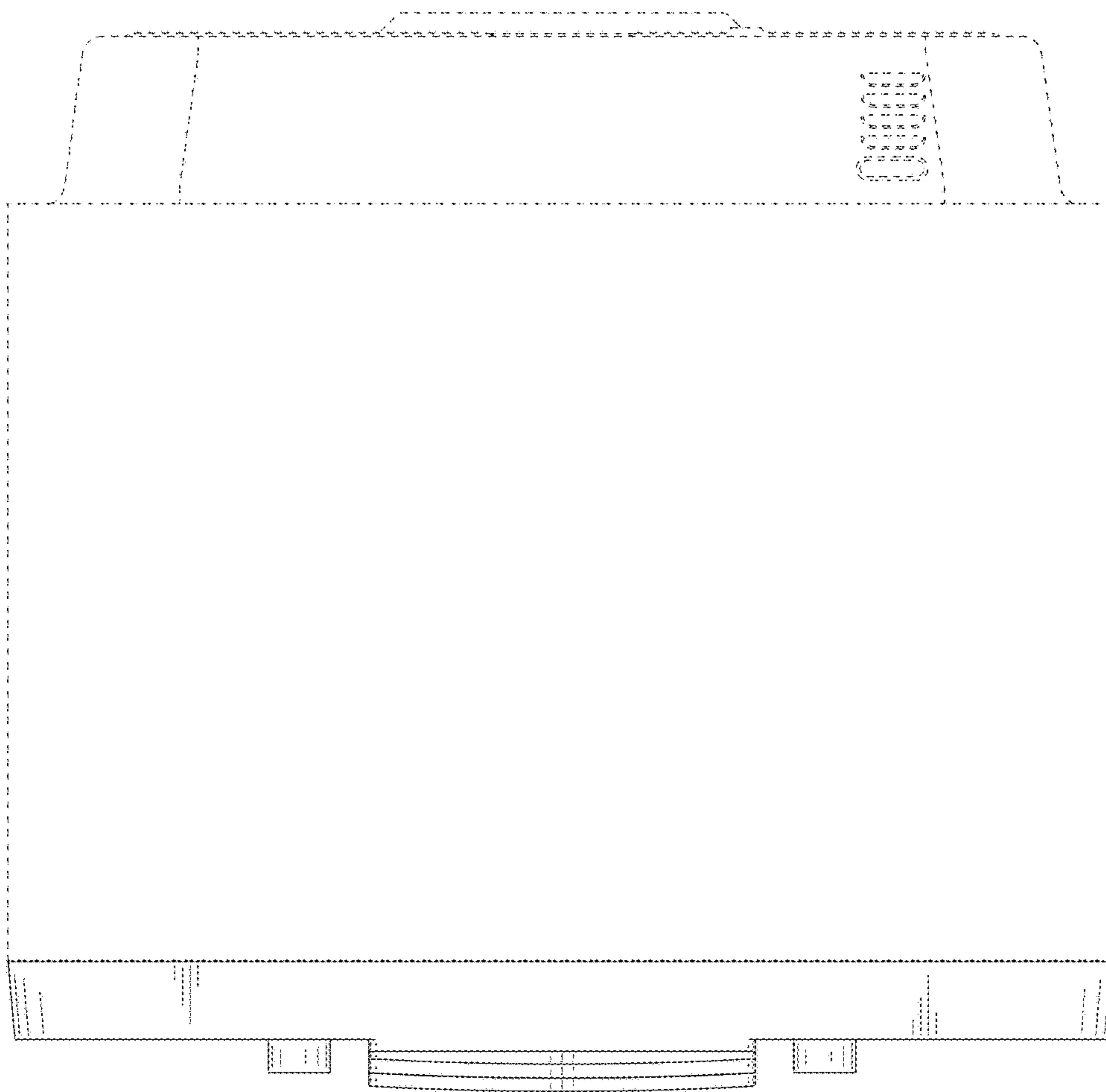


FIG. 7

