



US00D781635S

(12) **United States Design Patent**  
**Koszylko**

(10) **Patent No.:** **US D781,635 S**  
(45) **Date of Patent:** **\*\* Mar. 21, 2017**

- (54) **OVEN**
- (71) Applicant: **Spectrum Brands, Inc.**, Middleton, WI (US)
- (72) Inventor: **Darek J. Koszylko**, Dane, WI (US)
- (73) Assignee: **Spectrum Brands, Inc.**, Middleton, WI (US)
- (\*\*) Term: **15 Years**
- (21) Appl. No.: **29/554,602**
- (22) Filed: **Feb. 12, 2016**
- (51) **LOC (10) Cl.** ..... **07-02**
- (52) **U.S. Cl.**  
USPC ..... **D7/348**; 349/350.1
- (58) **Field of Classification Search**  
USPC ..... D7/402, 405, 351, 323, 338, 346, 347, D7/349, 348, 350.1; 219/678; D8/303, D8/308  
CPC .... H05B 6/763; H05B 6/6414; H05B 6/6408; Y02B 40/14; Y02B 40/143; Y02B 40/146; F24C 15/02; F24C 1/00; F24C 14/00; F24C 3/00; F24C 5/00; F24C 7/00; A47J 37/00; A47J 37/06; A47J 37/0611; A47J 37/08; A47J 37/0807; A47J 37/0814; A47J 37/0835; A47J 37/085; A47J 37/0864; A47J 37/0878; A47J 37/0885; A47J 37/0892  
See application file for complete search history.

- D638,249 S 5/2011 Ryan et al.
- D639,104 S 6/2011 Duncan et al.
- D644,311 S 8/2011 De' Longhi
- D646,111 S \* 10/2011 Kim ..... D7/348
- D655,125 S 3/2012 Turner et al.
- D655,129 S 3/2012 Gresko
- D658,439 S \* 5/2012 Curtis ..... D7/405
- D662,349 S \* 6/2012 Ho ..... D7/350.1
- D663,156 S \* 7/2012 Curtis ..... D7/350.1
- D664,388 S \* 7/2012 Park ..... D7/348
- D669,297 S \* 10/2012 Tanaka ..... D7/349
- D673,000 S \* 12/2012 De' Longhi ..... D7/350.1
- D678,711 S 3/2013 Reiner
- D736,554 S \* 8/2015 Steiner ..... D7/350.1
- D738,672 S \* 9/2015 Baacke ..... D7/348
- D742,163 S \* 11/2015 De'Longhi ..... D7/350.1
- D746,625 S \* 1/2016 Miller ..... D7/350.1

(Continued)

**FOREIGN PATENT DOCUMENTS**

- EM 002115428-0007 10/2012
- EM 002395749-0004 2/2014

*Primary Examiner* — Robin V Webster  
*Assistant Examiner* — James Thorn, Sr.  
(74) *Attorney, Agent, or Firm* — Banner & Witcoff, Ltd.

(57) **CLAIM**

The ornamental design for an oven, as shown and described.

**DESCRIPTION**

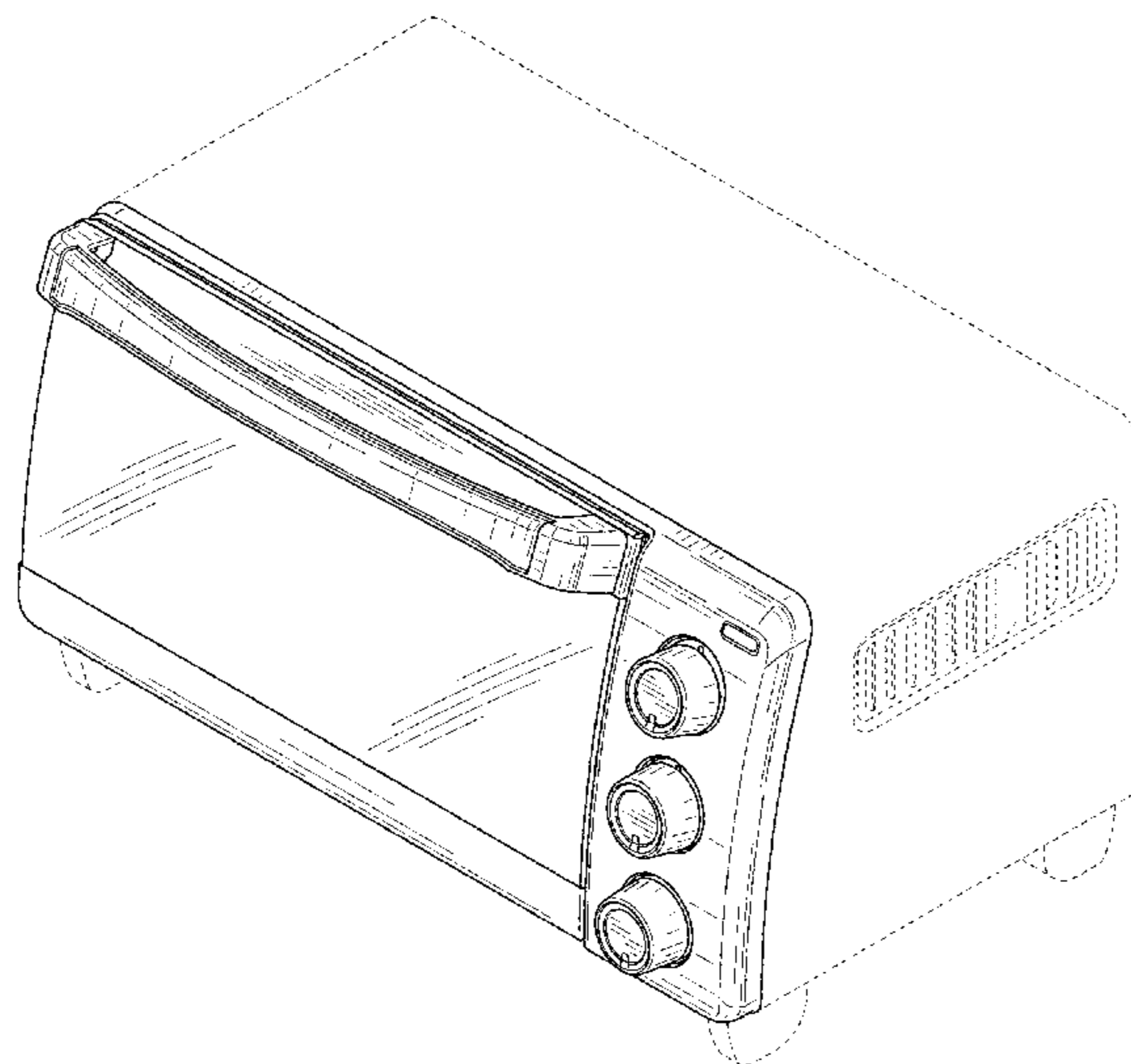
FIG. 1 is a front perspective view of an oven showing my new design;  
FIG. 2 is a front view thereof;  
FIG. 3 is a right side view thereof;  
FIG. 4 is a left side view thereof; and,  
FIG. 5 is a top view thereof.  
The broken line showing of the remainder of the oven represents unclaimed subject matter and forms no part of the claimed design.

**1 Claim, 5 Drawing Sheets**

(56) **References Cited**

**U.S. PATENT DOCUMENTS**

- D412,637 S 8/1999 Piret
- D521,799 S 5/2006 Ledingham et al.
- D586,619 S \* 2/2009 Pino ..... D7/405
- D625,557 S \* 10/2010 Pino ..... D7/405
- D635,815 S 4/2011 De'Longhi



(56)

**References Cited**

U.S. PATENT DOCUMENTS

D764,227 S *	8/2016	Jeon .....	D7/402
2014/0070685 A1 *	3/2014	Yantis .....	F24C 15/02
			312/319.2
2016/0033141 A1 *	2/2016	Rizzuto .....	F24C 7/085
			219/396
2016/0066367 A1 *	3/2016	Hoehn .....	F24C 15/04
			219/682

\* cited by examiner

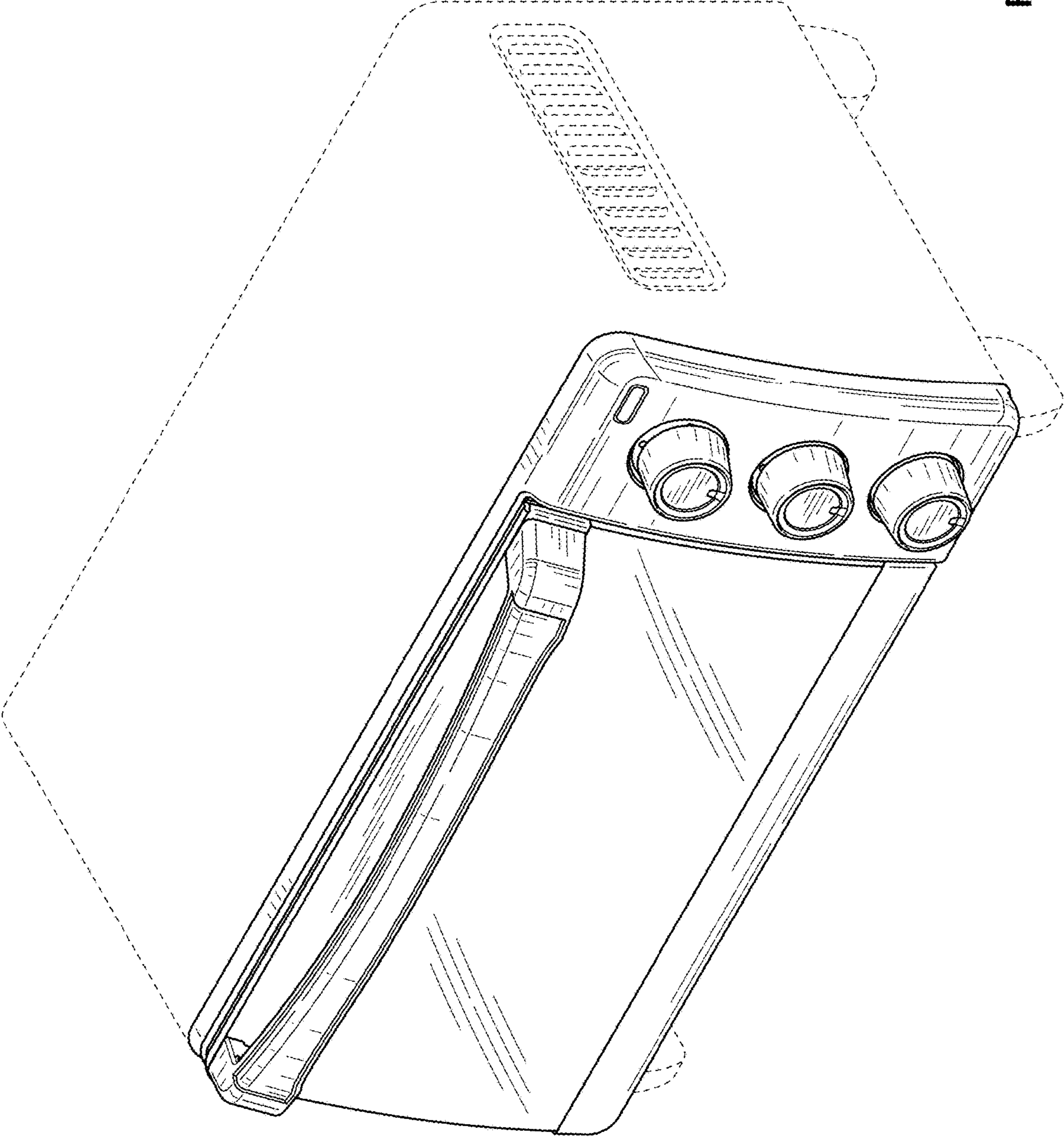


FIG. 1

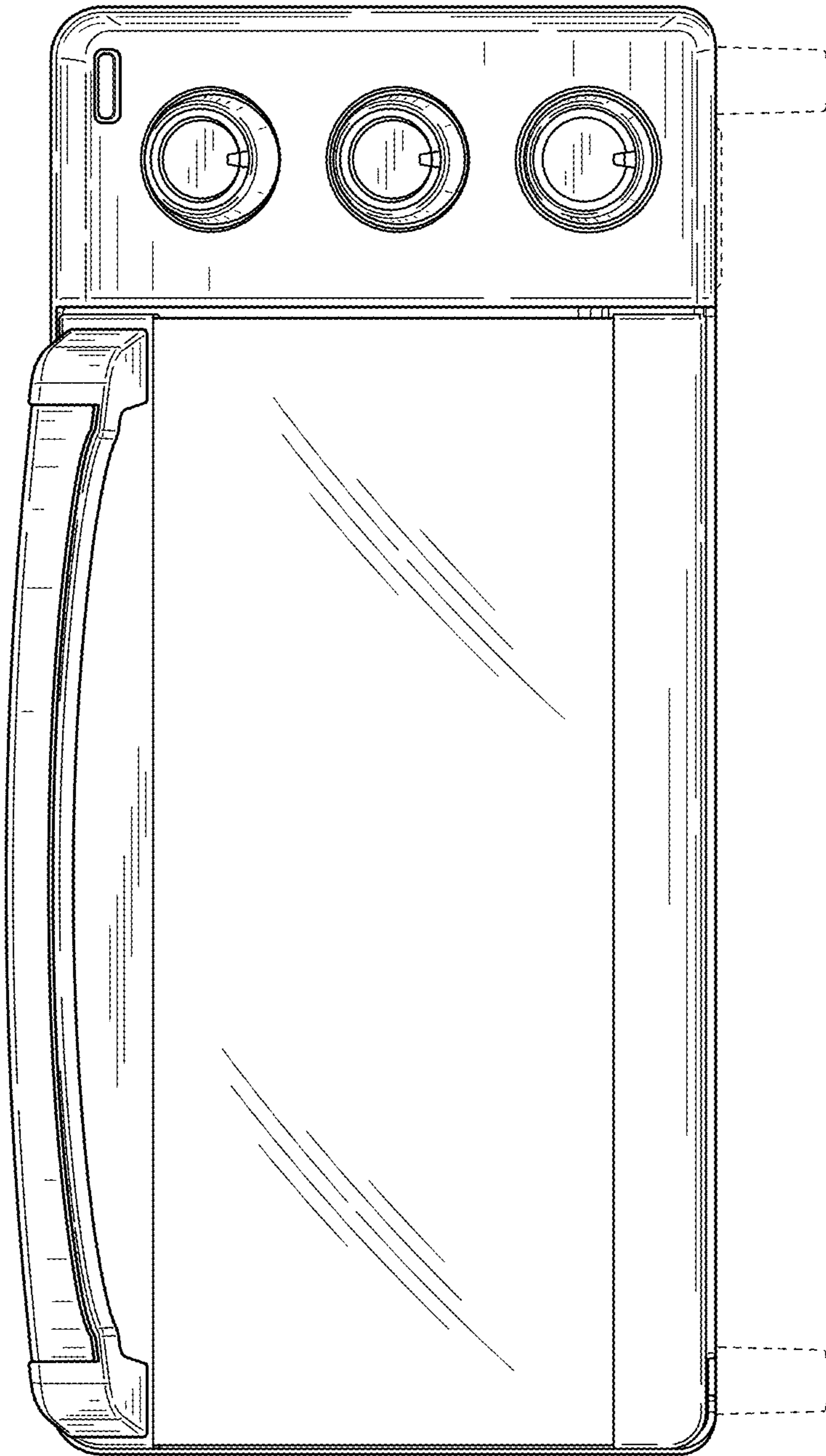


FIG. 2

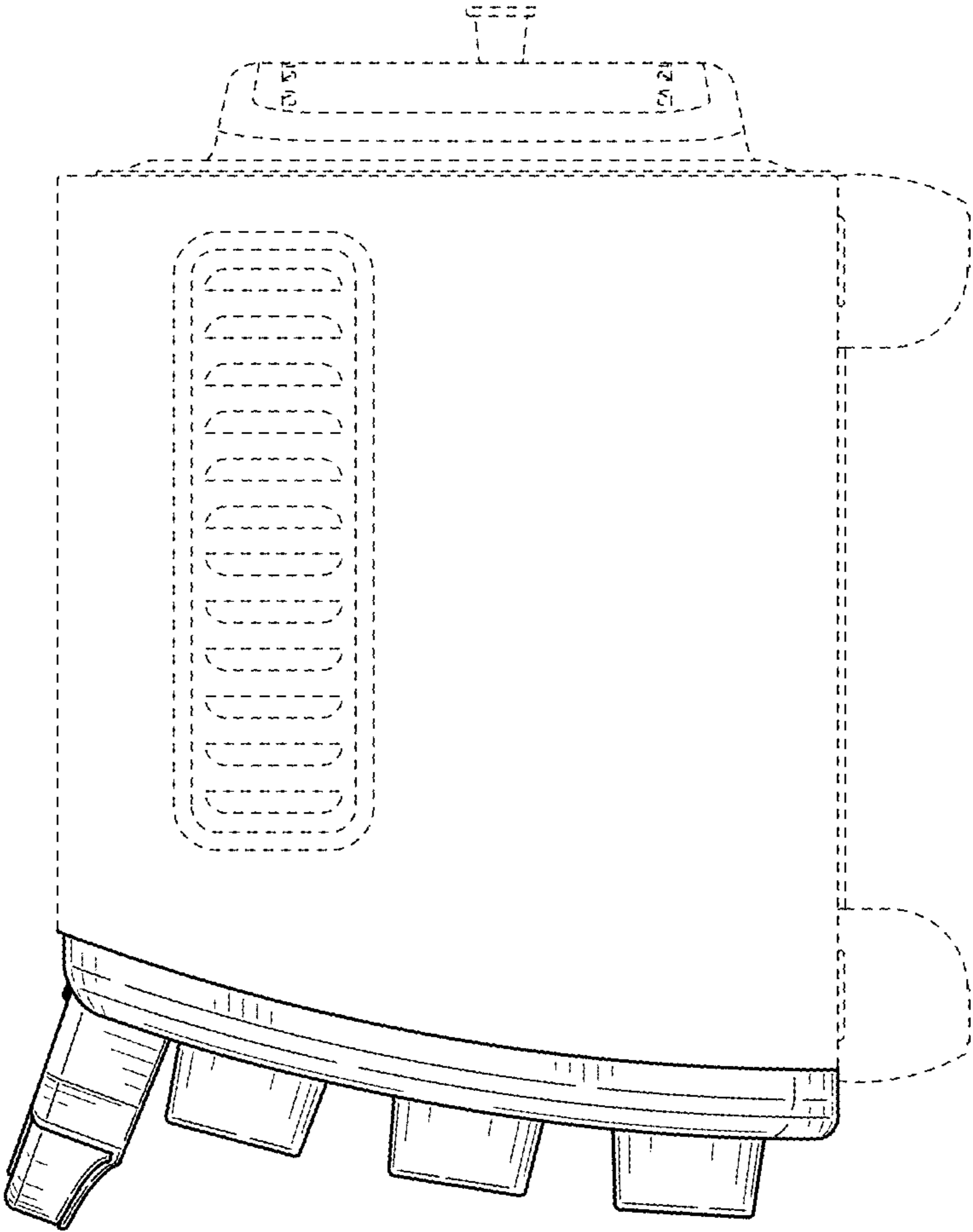


FIG. 3



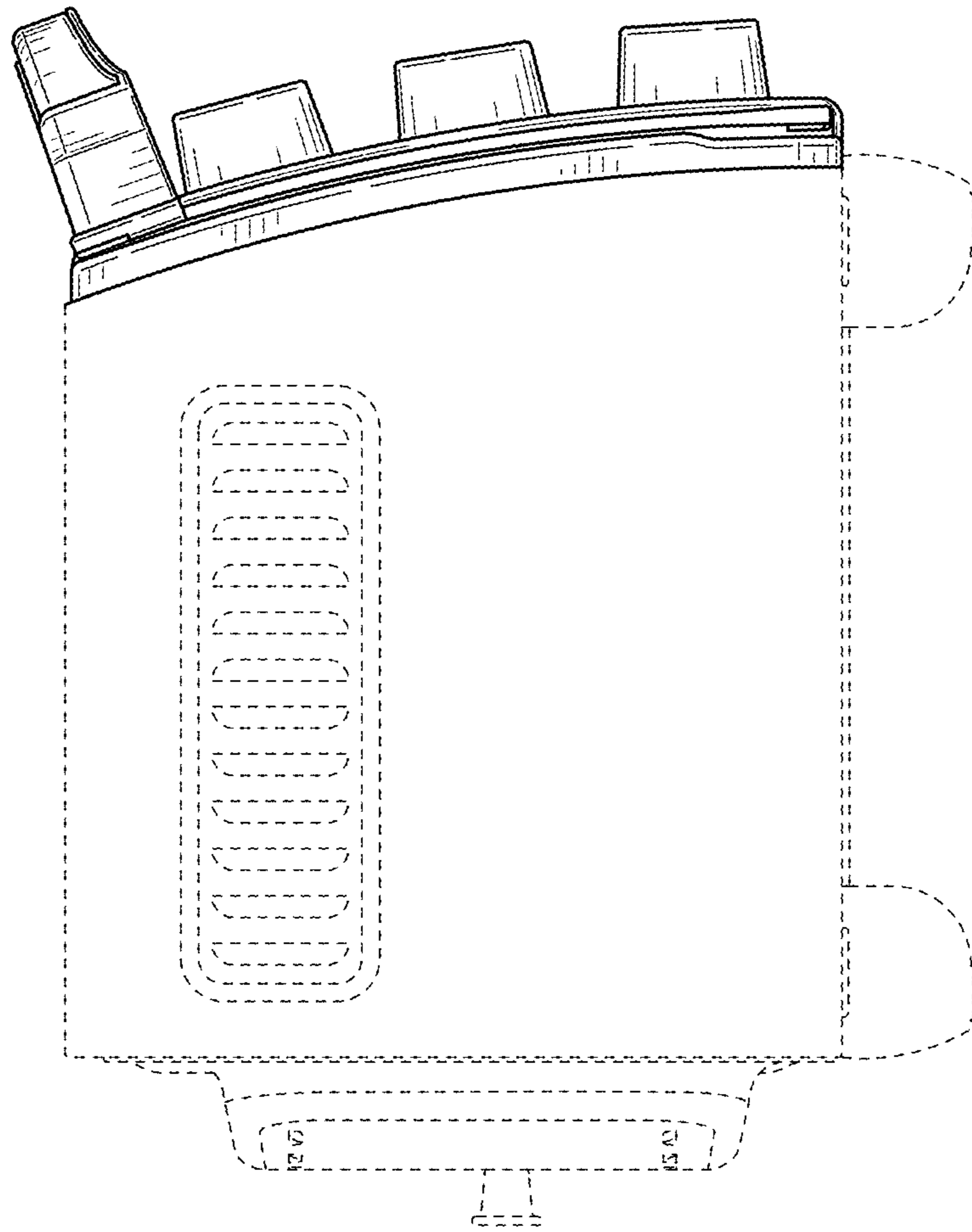


FIG. 4

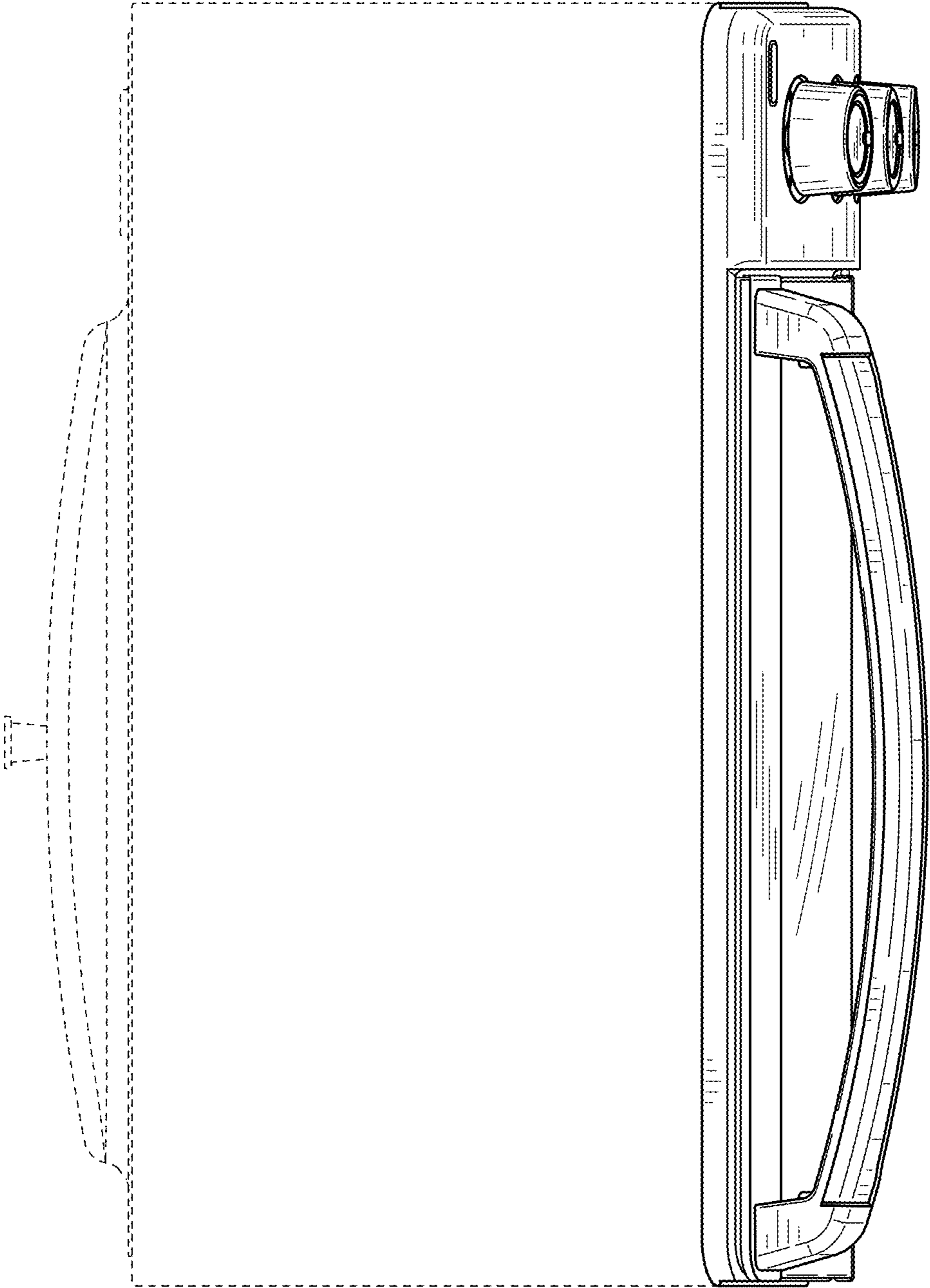


FIG. 5