



US00D781633S

(12) **United States Design Patent**  
**Cahen**

(10) **Patent No.:** **US D781,633 S**  
(45) **Date of Patent:** **\*\* Mar. 21, 2017**

(54) **BEVERAGE DISPENSER**  
(71) Applicant: **Societe des Produits Nestle S.A.,**  
Vevey (CH)  
(72) Inventor: **Antoine Cahen,** Lausanne (CH)  
(73) Assignee: **Societe des Produits Nestle S.A.,**  
Vevey (CH)  
(\*\*) Term: **15 Years**

D582,714 S \* 12/2008 Hensel ..... D7/309  
D594,688 S \* 6/2009 Hammad ..... D7/306  
D634,963 S \* 3/2011 Romandy ..... D7/306  
D714,088 S \* 9/2014 Cahen ..... D7/309  
D718,414 S \* 11/2014 Lo ..... D23/207  
D738,149 S \* 9/2015 Ye ..... D7/306  
D739,149 S \* 9/2015 Shay-Puetzer ..... D6/300  
D739,169 S \* 9/2015 Shao ..... D7/309  
D755,001 S \* 5/2016 Lintner ..... D7/306  
D760,008 S \* 6/2016 Moon, II ..... D7/306  
D763,030 S \* 8/2016 Priley ..... D7/306  
2013/0004629 A1\* 1/2013 Clark ..... A47J 31/4467  
426/231

(21) Appl. No.: **29/534,172**

\* cited by examiner

(22) Filed: **Jul. 27, 2015**

*Primary Examiner* — Marianne Pandozzi

(30) **Foreign Application Priority Data**

(74) *Attorney, Agent, or Firm* — K&L Gates LLP

Feb. 9, 2015 (CH) ..... 141242

(51) **LOC (10) Cl.** ..... **07-01**

(52) **U.S. Cl.**  
USPC ..... **D7/306; D7/311**

(58) **Field of Classification Search**  
USPC ..... D7/306–311, 305, 300, 397, 398, 399,  
D7/400; 99/279, 284, 290, 280, 299, 307,  
99/297, 295, 323, 275, 281, 300, 302 R,  
99/282, 288; 426/433; D20/4, 5, 1  
CPC .. A47J 31/44; A47J 31/00; A47J 31/46; A47J  
31/10; A47J 31/56; A47J 31/42; A47J  
431/4482; A47J 27/2105; A47J 31/4403;  
A47J 31/32; A47J 31/4457; A47J 31/52;  
A47J 31/0573; A47J 31/545; A47J  
31/4467; B65D 81/3266  
See application file for complete search history.

(56) **References Cited**

**U.S. PATENT DOCUMENTS**

D336,207 S \* 6/1993 Brookshire ..... D7/309  
D511,066 S \* 11/2005 Garner ..... D7/309

(57) **CLAIM**

The ornamental design for a beverage dispenser, as shown and described.

**DESCRIPTION**

FIG. 1 illustrates a front perspective view of a beverage dispenser according to the present disclosure;  
FIG. 2 illustrates a front side elevational view thereof;  
FIG. 3 illustrates a back side elevational view thereof;  
FIG. 4 illustrates a right side elevational view thereof;  
FIG. 5 illustrates a left side elevational view thereof;  
FIG. 6 illustrates a top plan view thereof; and,  
FIG. 7 illustrates a bottom plan view thereof.  
The ornamental design that is claimed is shown in solid lines in the drawings. The broken lines in the drawing depict portions of the beverage dispenser that form no part of the claimed design.

**1 Claim, 7 Drawing Sheets**

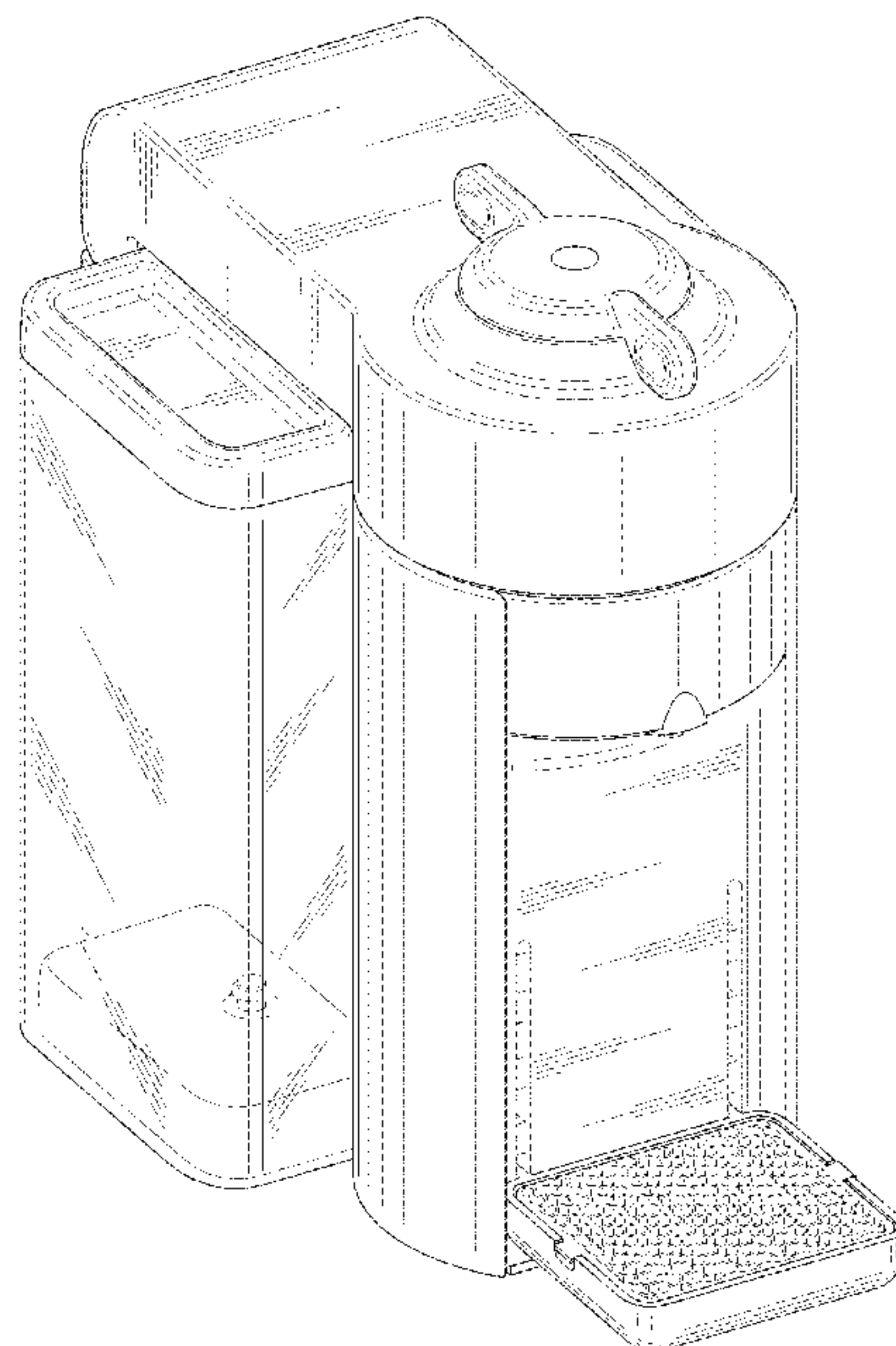


FIG. 1

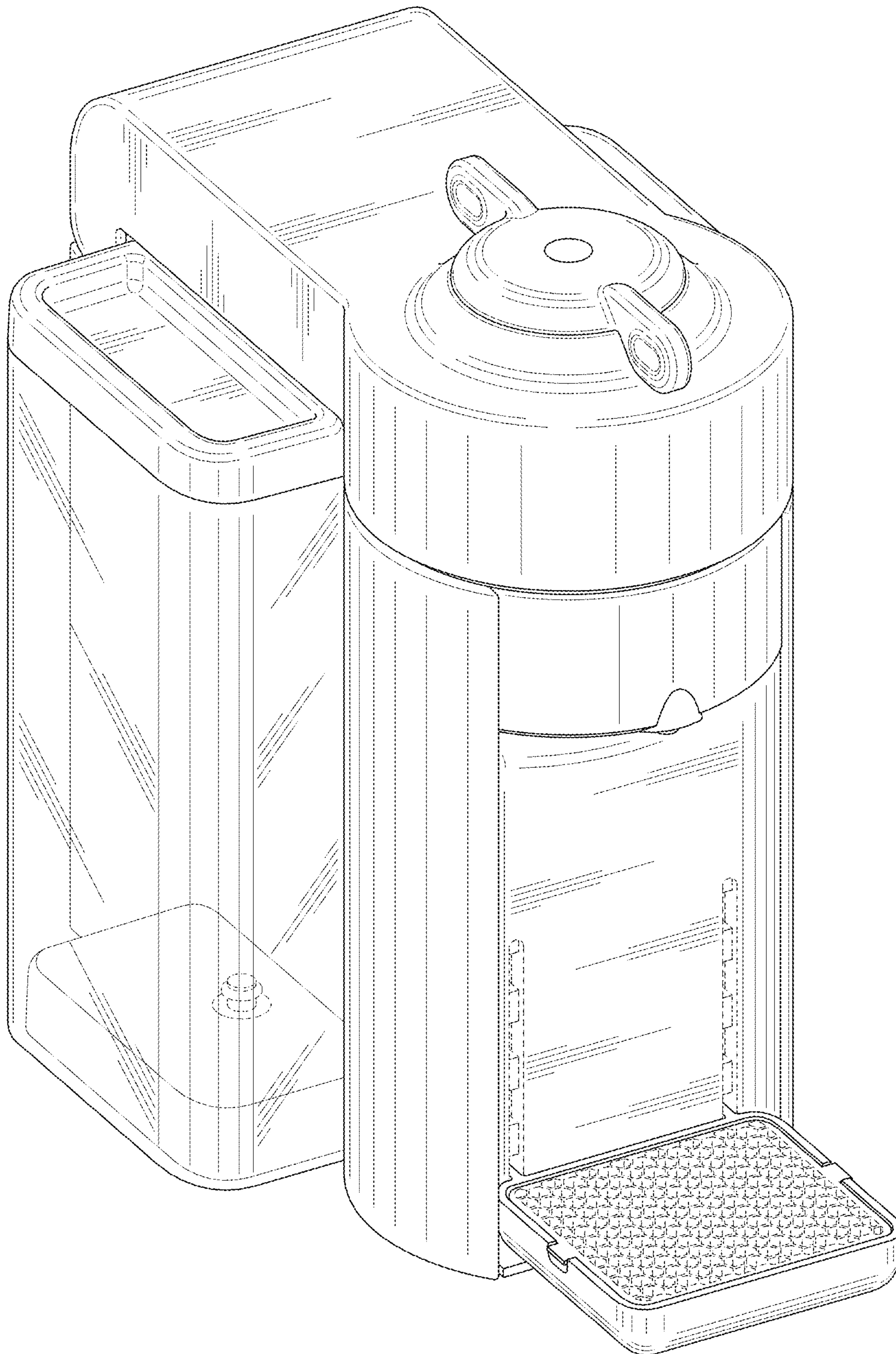


FIG. 2

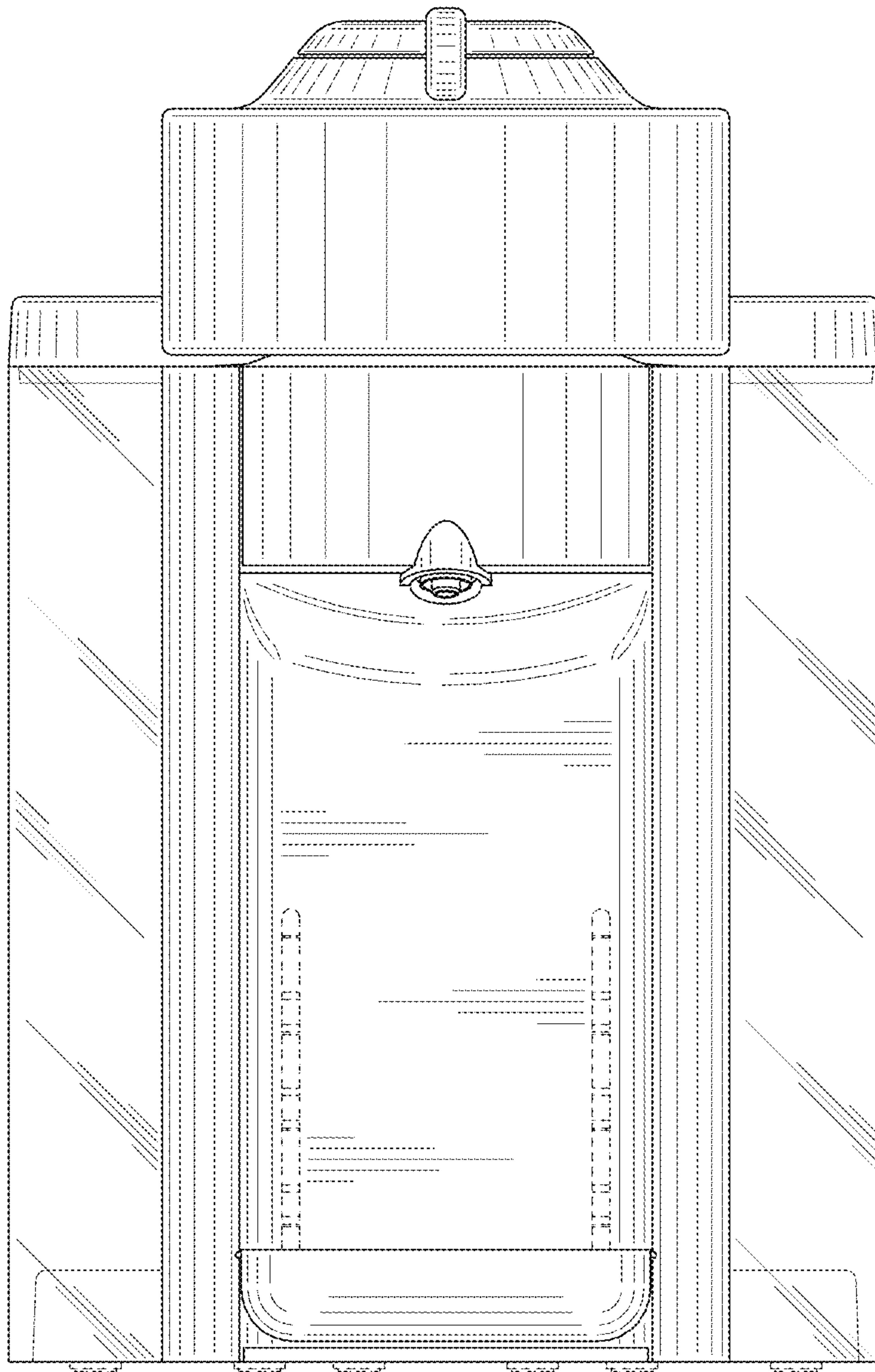




FIG. 3

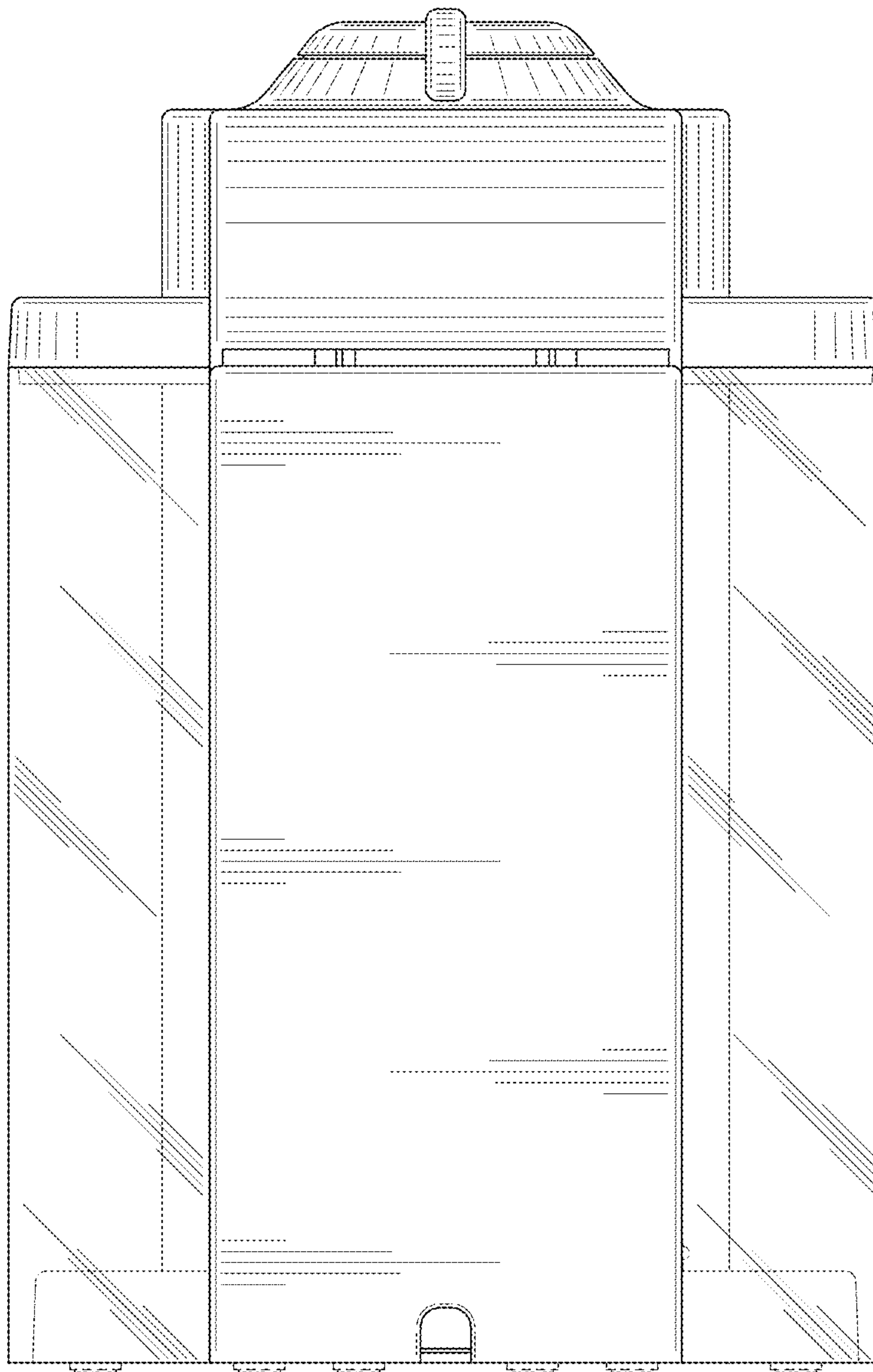


FIG. 4

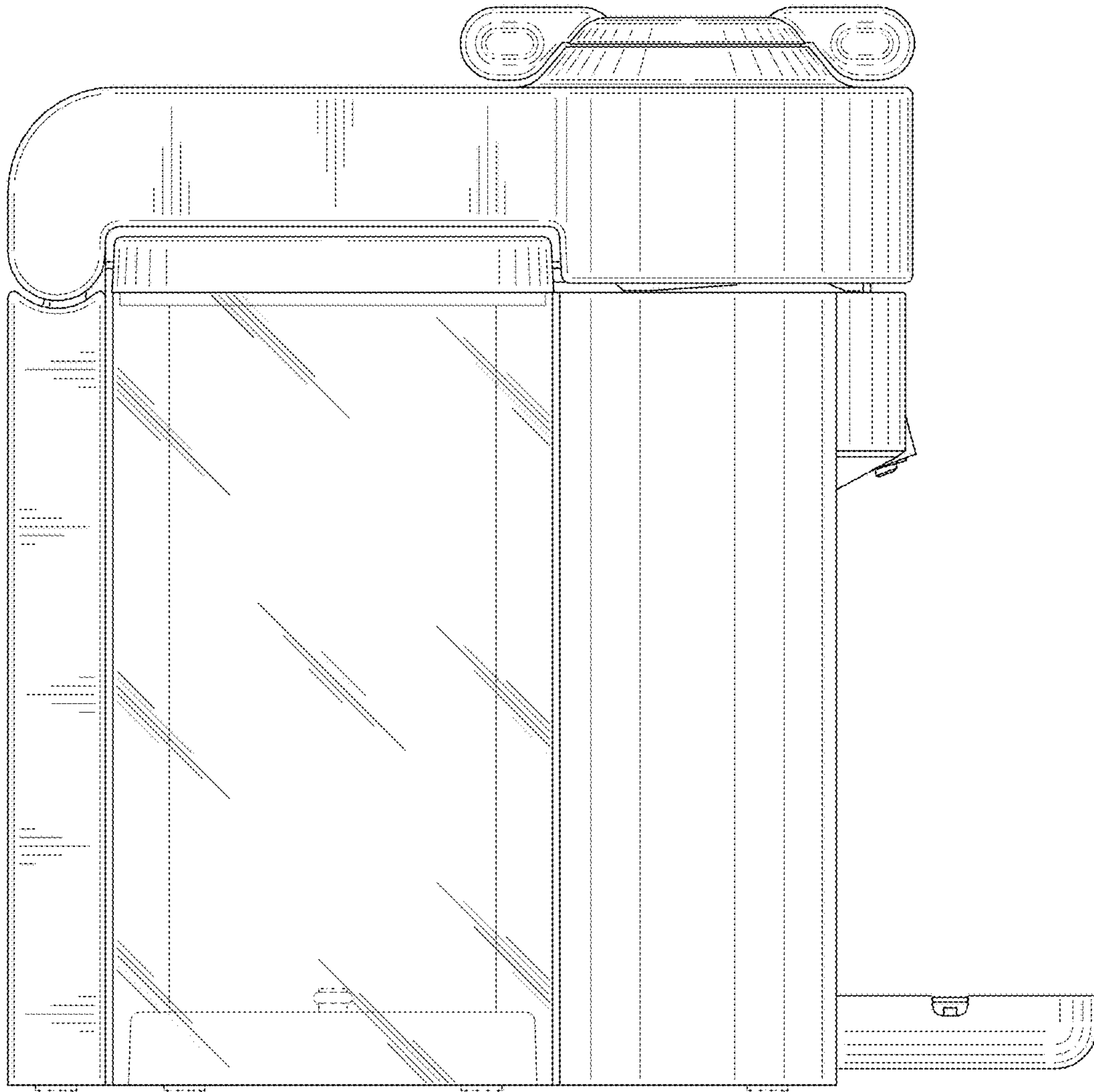


FIG. 5

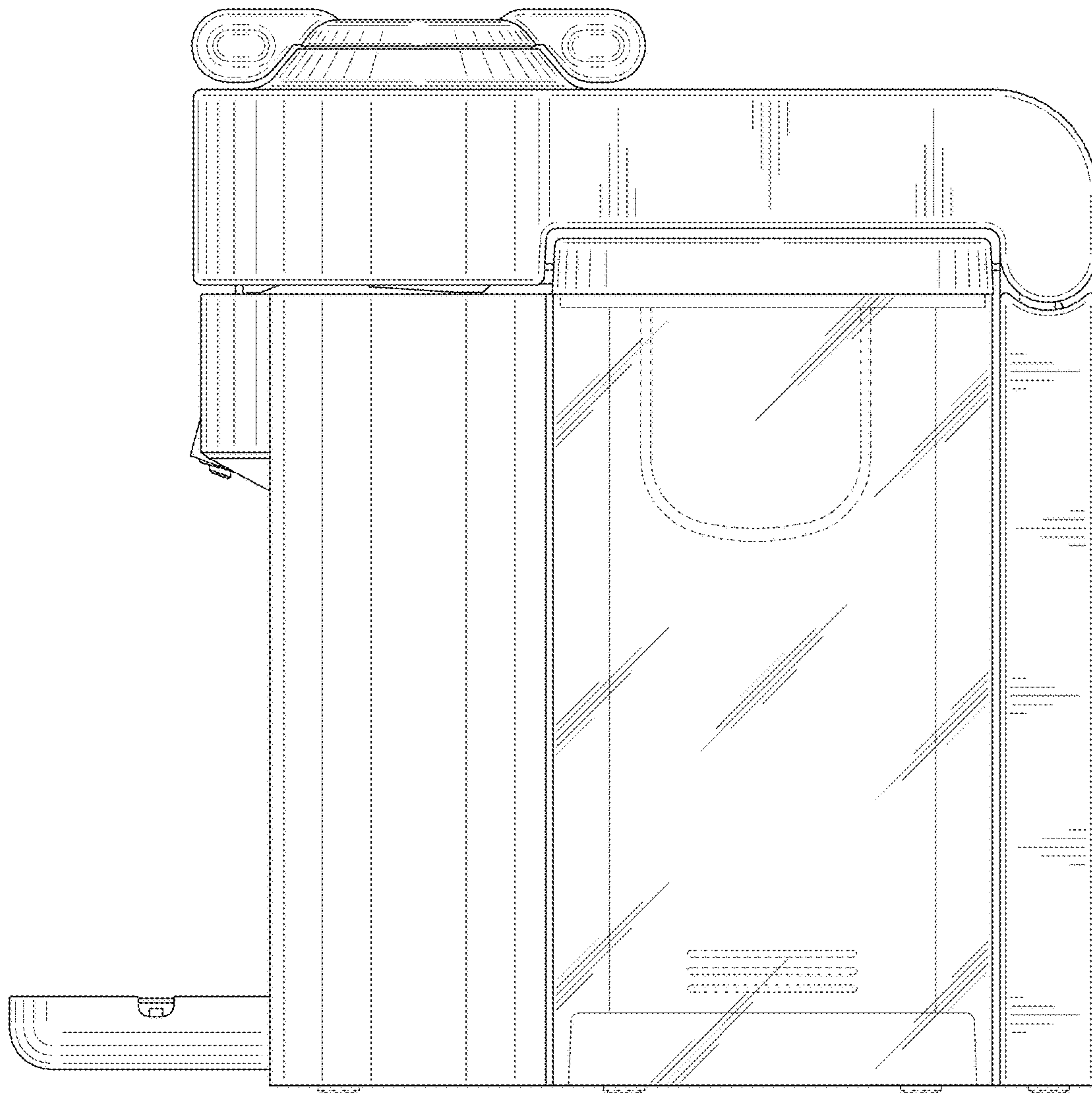


FIG. 6

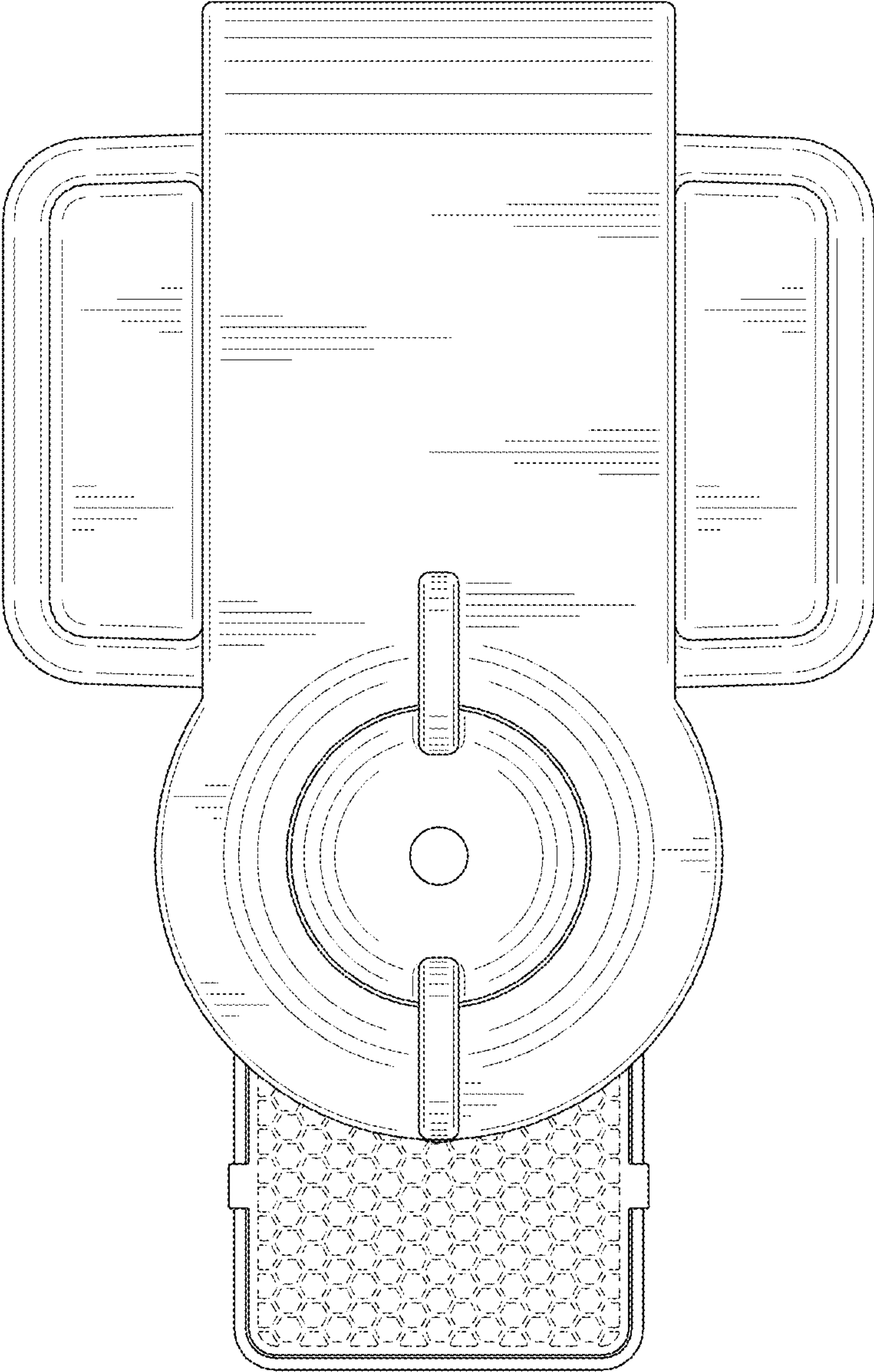


FIG. 7

