



US00D781632S

(12) **United States Design Patent**
Kaytas et al.

(10) **Patent No.:** **US D781,632 S**
(45) **Date of Patent:** **** Mar. 21, 2017**

(54) **MACHINE FOR PREPARING DRINKS**

A47J 31/32; A47J 31/4457; A47J 31/52;
A47J 31/0573; A47J 31/545; B65D
81/3266

(71) Applicant: **TENDER BARSYSTEME GMBH**,
München (DE)

See application file for complete search history.

(72) Inventors: **Baskim Kaytas**, Oberhaching (DE);
Michael Herkommer, München (DE);
Ruth Winterstein, Kösching (DE)

(56) **References Cited**

U.S. PATENT DOCUMENTS

(73) Assignee: **Tender Barsysteme GmbH**, Munich
(DE)

D225,592 S *	12/1972	Bardeau	D7/309
D261,657 S *	11/1981	Villa	D23/238
D264,214 S *	5/1982	Bowen	D34/14
D283,778 S *	5/1986	Jack	D7/309
D293,759 S *	1/1988	Balisteri	D7/300
D306,677 S *	3/1990	Baruschke	D7/309
D584,099 S *	1/2009	Terzariol	D7/309
D647,748 S *	11/2011	Beekhuis	D7/300
D700,796 S *	3/2014	Terzariol	D7/307
D711,189 S *	8/2014	Everard	D7/300

(**) Term: **15 Years**

(21) Appl. No.: **29/528,264**

(22) Filed: **May 27, 2015**

* cited by examiner

(30) **Foreign Application Priority Data**

Nov. 28, 2014	(EM)	002586503-0001
Nov. 28, 2014	(EM)	002586503-0002
Nov. 28, 2014	(EM)	002586503-0003
Nov. 28, 2014	(EM)	002586503-0004
Nov. 28, 2014	(EM)	002586503-0005
Nov. 28, 2014	(EM)	002586503-0006
Nov. 28, 2014	(EM)	002586503-0007

Primary Examiner — Marianne Pandozzi

(74) *Attorney, Agent, or Firm* — Lewis Roca Rothgerber
Christie LLP

(51) **LOC (10) Cl.** **07-01**

(52) **U.S. Cl.**
USPC **D7/306; D7/311**

(57) **CLAIM**

The ornamental design for a machine for preparing drinks,
as shown and described.

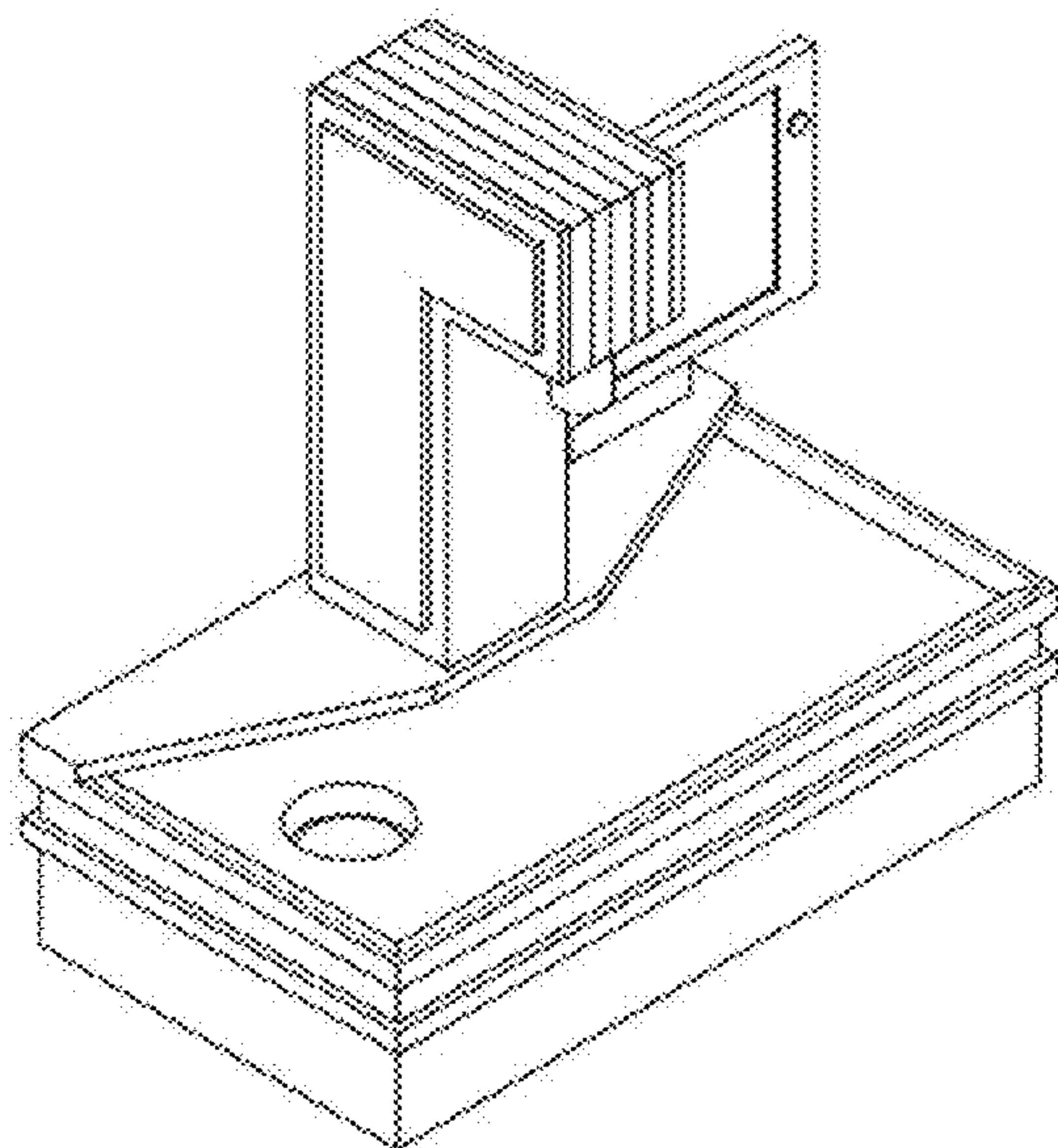
(58) **Field of Classification Search**

USPC D7/306–311, 305, 300, 397, 398, 399,
D7/400; 99/279, 284, 290, 280, 299, 307,
99/297, 295, 323, 275, 281, 300, 302 R,
99/282, 288; 426/433; D20/4, 5, 1;
D23/238
CPC .. A47J 31/44; A47J 31/00; A47J 31/46; A47J
31/10; A47J 31/56; A47J 31/42; A47J
431/4482; A47J 27/2105; A47J 31/4403;

DESCRIPTION

FIG. 1 is a front perspective view of a machine for preparing drinks;
FIG. 2 is a left side view of the machine for preparing drinks of FIG. 1;
FIG. 3 is a front view of the machine for preparing drinks of FIG. 1;
FIG. 4 is a top view of the machine for preparing drinks of FIG. 1; and,
FIG. 5 is a front perspective view of an alternative embodiment a machine for preparing drinks.

1 Claim, 2 Drawing Sheets



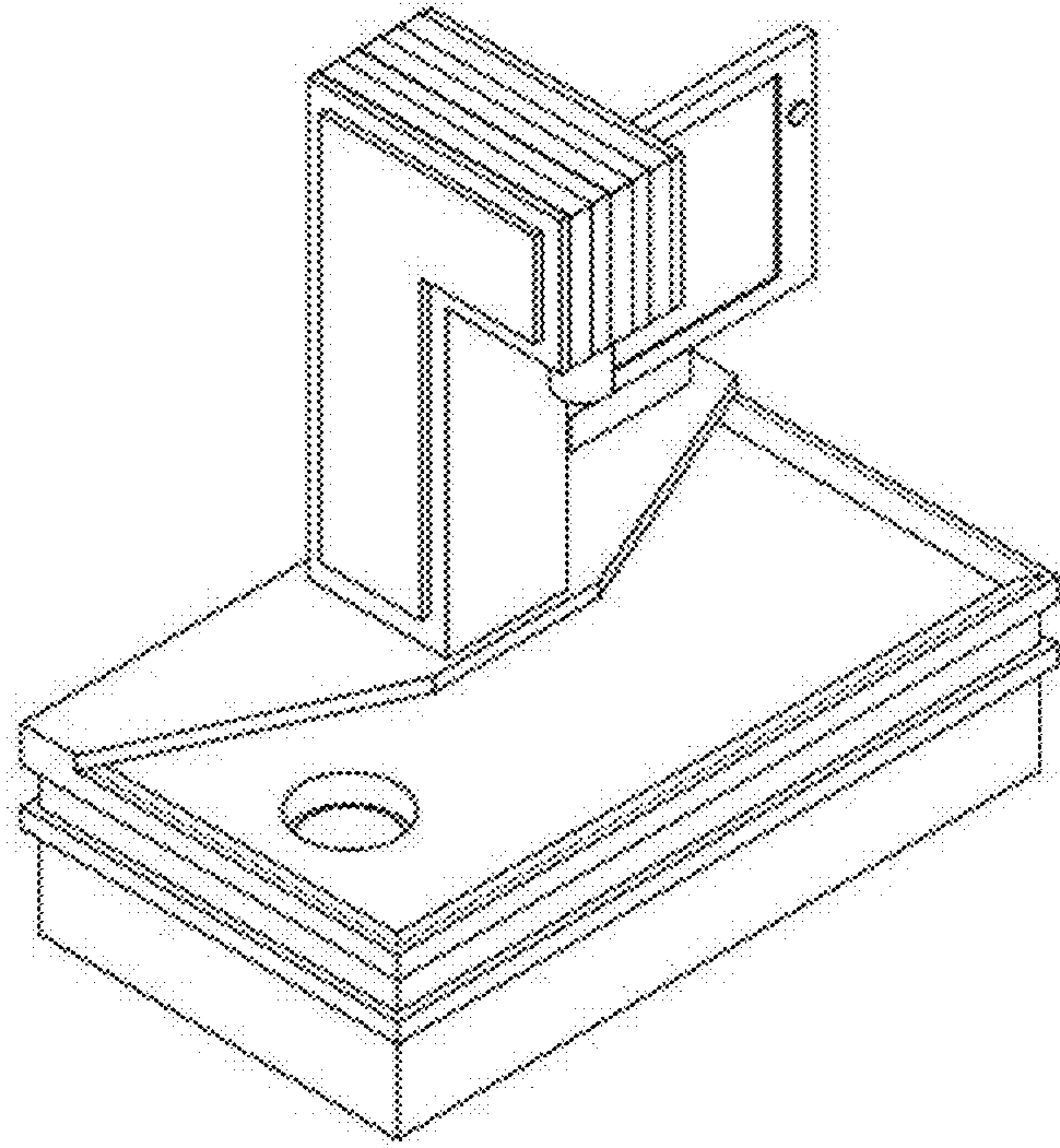


FIG. 1

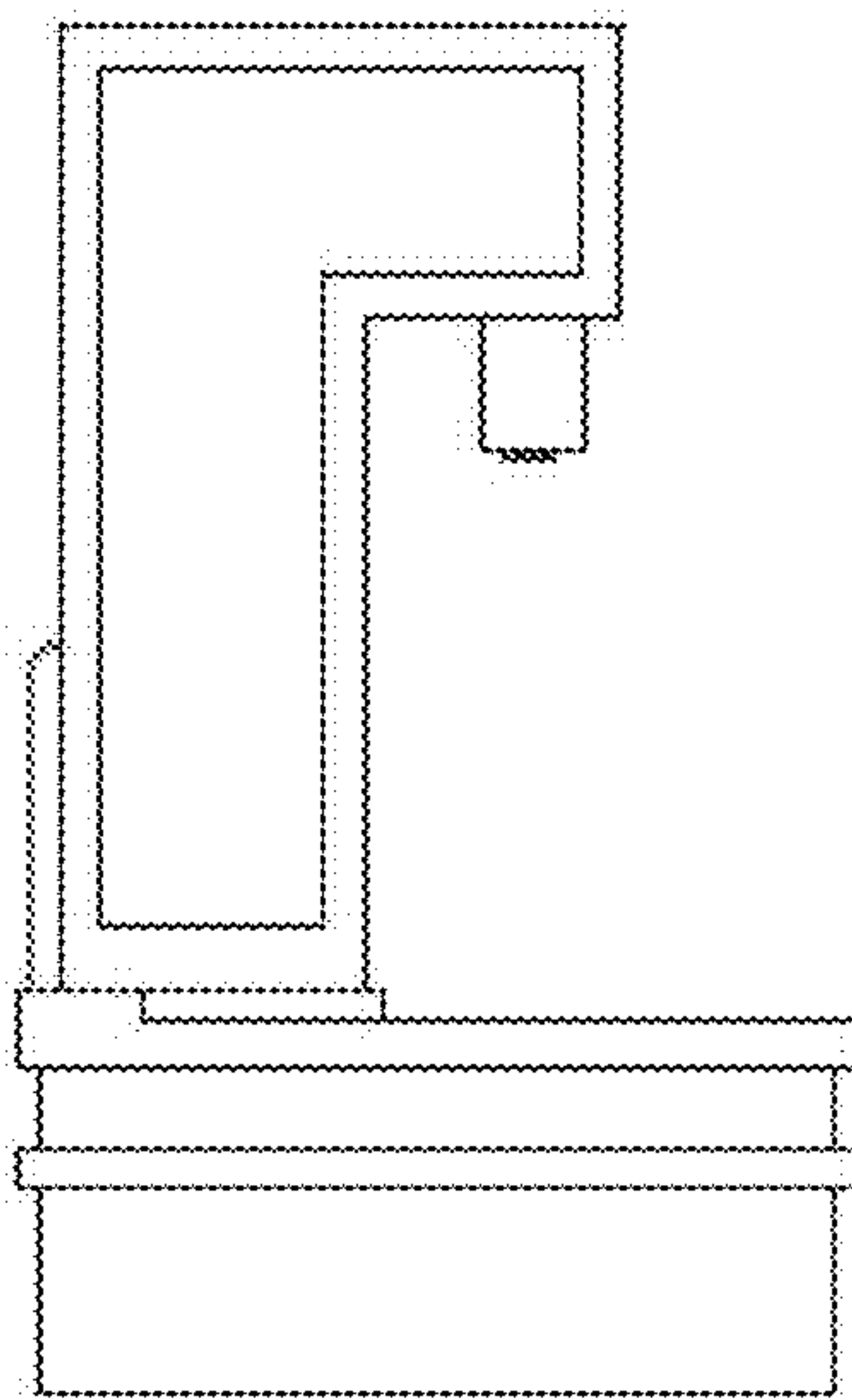


FIG. 2

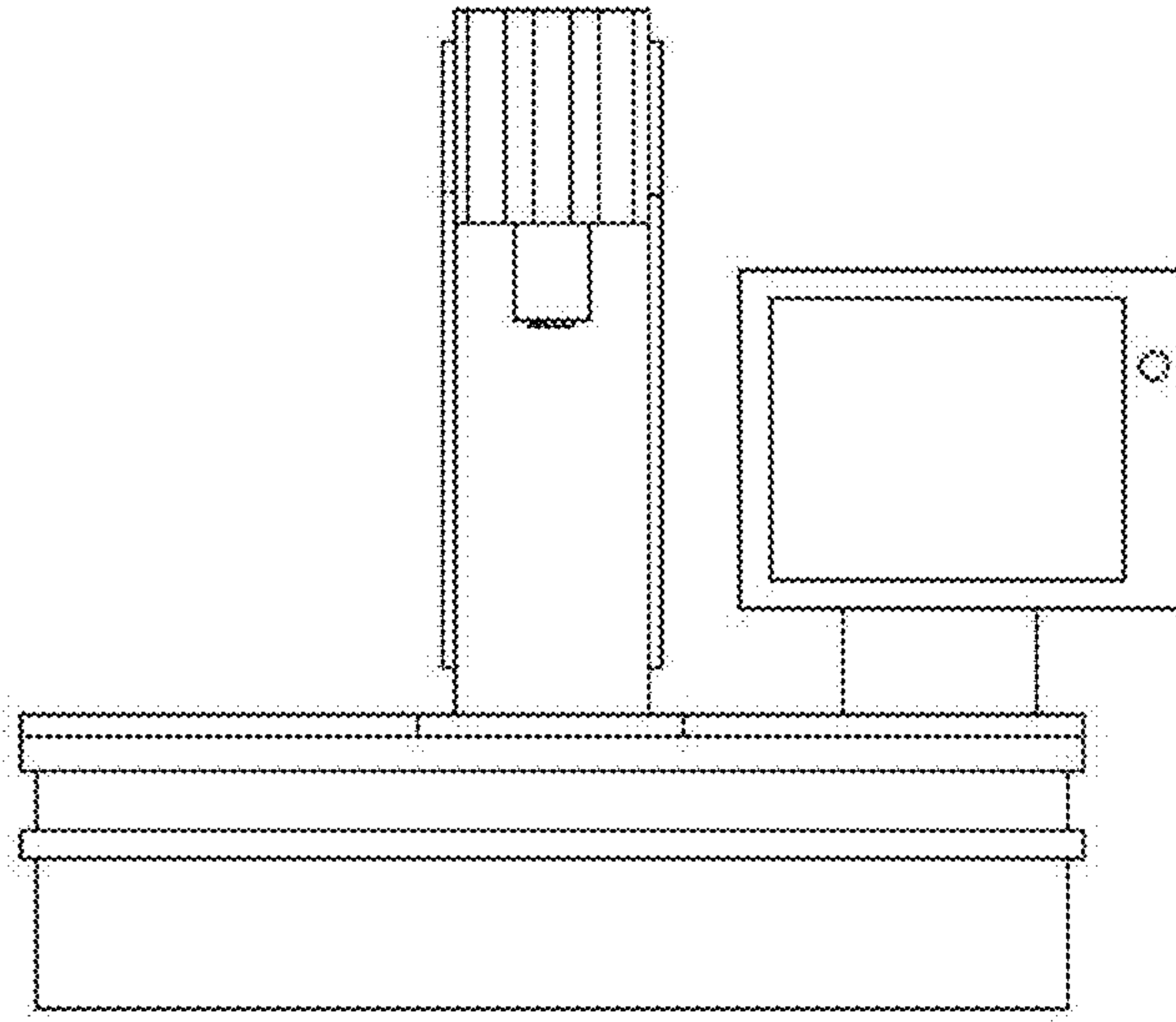


FIG. 3

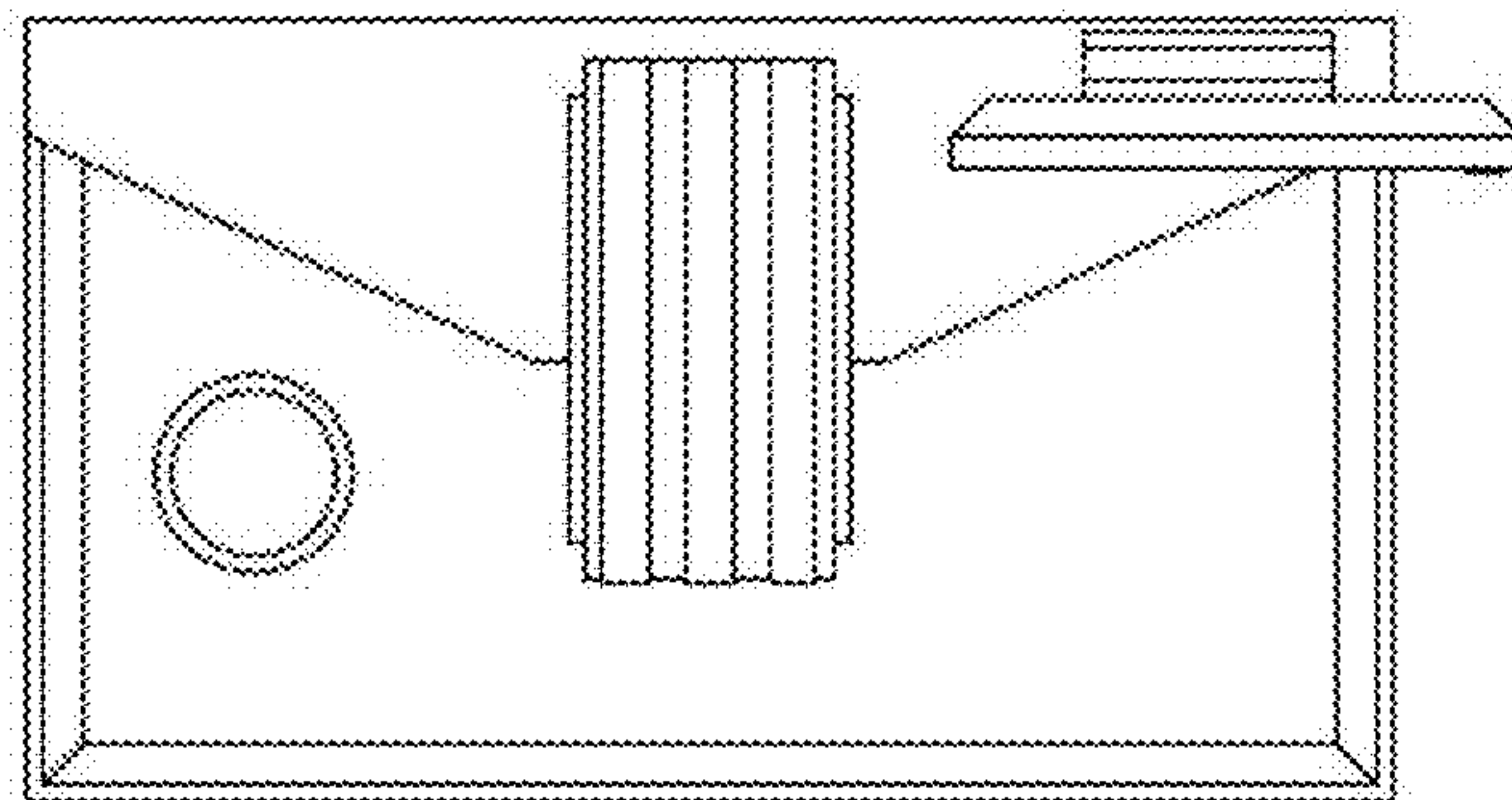


FIG. 4