



US00D781631S

(12) **United States Design Patent** (10) **Patent No.:** **US D781,631 S**  
**Lee** (45) **Date of Patent:** **\*\* Mar. 21, 2017**

(54) **GLIDER FRAME**  
(71) Applicant: **Lawrence K. Lee**, Houston, TX (US)  
(72) Inventor: **Lawrence K. Lee**, Houston, TX (US)  
(73) Assignee: **JBL INTERNATIONAL, INC.**,  
Houston, TX (US)  
(\*\*) Term: **14 Years**  
(21) Appl. No.: **29/523,770**  
(22) Filed: **Apr. 14, 2015**  
(51) **LOC (10) Cl.** ..... **06-04**  
(52) **U.S. Cl.**  
USPC ..... **D6/717**  
(58) **Field of Classification Search**  
USPC ..... D6/717, 334, 344, 385, 635, 653.11,  
D6/653.18, 675.1, 348, 335, 336, 347,  
D6/369, 370, 374, 376, 379, 380, 499,  
D6/500-502; 297/271.5, 276.6, 272.1,  
297/440.15, 445.1, 446.1, 447.4, 452.18,  
297/452.63, 452.64  
CPC ..... A47C 3/0255  
See application file for complete search history.

D735,482 S \* 8/2015 Lee ..... D6/348  
D736,528 S \* 8/2015 Lee ..... D6/348  
2003/0160484 A1\* 8/2003 Ware ..... A47C 3/0255  
297/248

**OTHER PUBLICATIONS**

Lakeland Mills Classic White Cedar Log Outdoor Glider Loveseat, posted on hayneedle.com, earliest product review on Jul. 25, 2010, no production date given, [online], [site visited Nov. 17, 2016], Available from Internet, <URL: <http://www.hayneedle.com/product/classiccedarlogglider.cfm>>.\*

(Continued)

*Primary Examiner* — Eric Goodman  
*Assistant Examiner* — Fritzgerald Butac  
(74) *Attorney, Agent, or Firm* — Egbert Law Offices,  
PLLC

(57) **CLAIM**

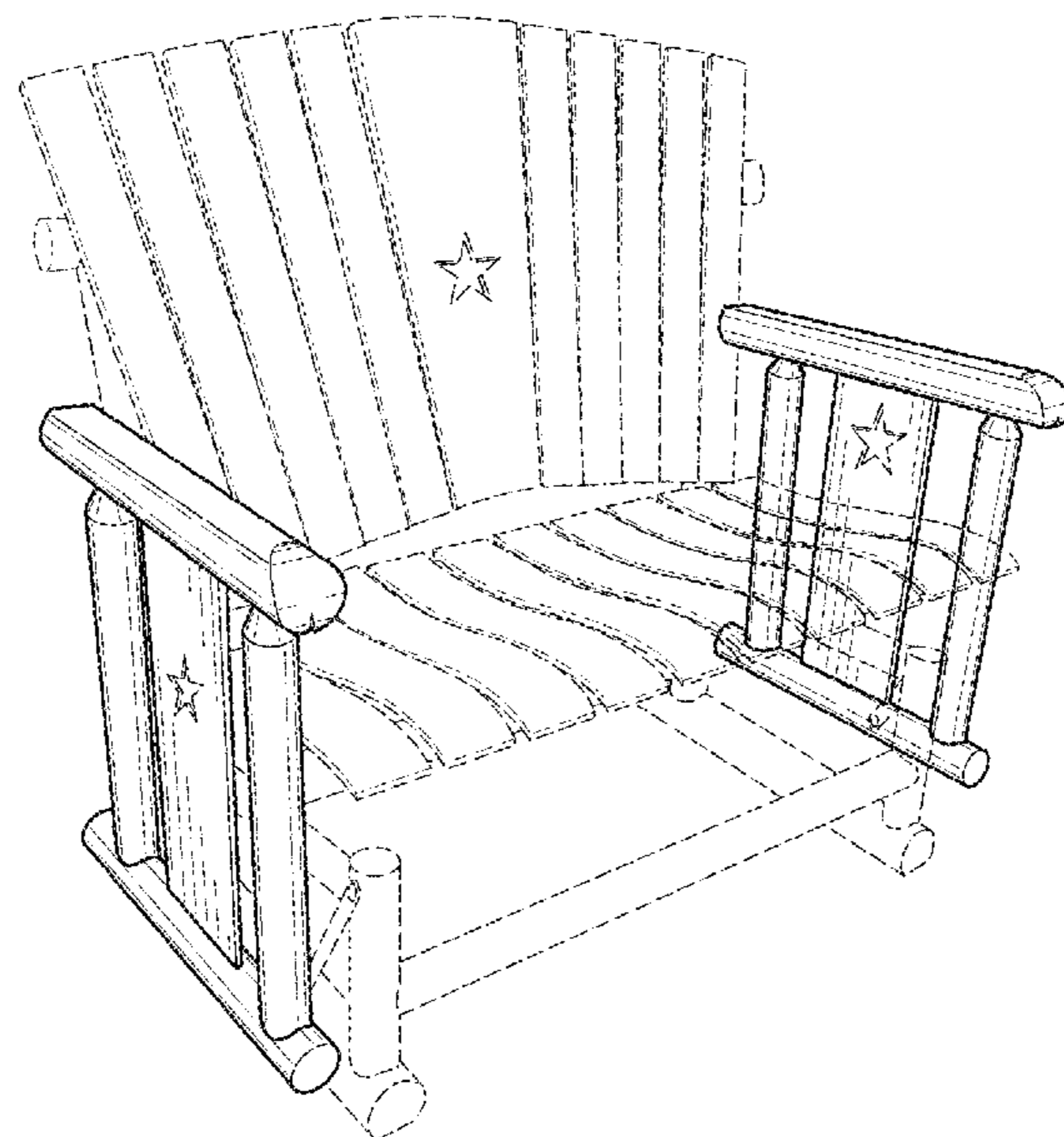
The ornamental design for a glider frame, as shown and described.

**DESCRIPTION**

FIG. 1 is a perspective view of a glider frame showing my new design.  
FIG. 2 is a front view thereof;  
FIG. 3 is a rear view thereof;  
FIG. 4 is a side view thereof;  
FIG. 5 is an opposite side view thereof;  
FIG. 6 is a top view thereof; and,  
FIG. 7 is a bottom view thereof.  
The features presented in broken lines are for environmental purposes only and form no part of the claimed design.

**1 Claim, 3 Drawing Sheets**

(56) **References Cited**  
U.S. PATENT DOCUMENTS  
D361,673 S \* 8/1995 Pomeroy ..... D6/344  
D370,570 S \* 6/1996 Green, Jr. .... D6/370  
D450,937 S \* 11/2001 Pomeroy ..... D6/344  
D458,775 S \* 6/2002 Desnoyers ..... D6/344  
D489,909 S \* 5/2004 Ware ..... D6/344  
D566,975 S \* 4/2008 Lee ..... D6/348  
D580,197 S \* 11/2008 Lee ..... D6/348  
D659,440 S \* 5/2012 Lee ..... D6/708  
D679,105 S \* 4/2013 Lee ..... D6/348  
D698,563 S \* 2/2014 Lee ..... D6/369



(56)

**References Cited**

OTHER PUBLICATIONS

56.5" Natural Cedar Log Style Outdoor Wooden Garden Glider Bench, posted on walmart.com, no posted date given, no production date given, [online], [site visited Nov. 17, 2016], Available from Internet, <URL: [https://www.walmart.com/ip/56.5-Natural-Cedar-Log-Style-Outdoor-Wooden-Garden-Glider-Bench/](https://www.walmart.com/ip/56.5-Natural-Cedar-Log-Style-Outdoor-Wooden-Garden-Glider-Bench/24851712?sourceid=csebr031fe6d99f0bb1453faeb07ed7c6d47)

24851712?sourceid=csebr031fe6d99f0bb1453faeb07ed7c6d47.\*

Apple Patio Porch Glider: Large-format Paper Woodworking Plan, posted on woodstore.net, earliest product review on Mar. 5, 2015, no production date given, [online], [site visited Nov. 17, 2016], Available from Internet: <URL: <http://www.woodstore.net/plans/outdoor/outdoor-furniture/2829-Porch-Glider-Large-format-Paper-Woodworking-Plan.html>>.\*

\* cited by examiner

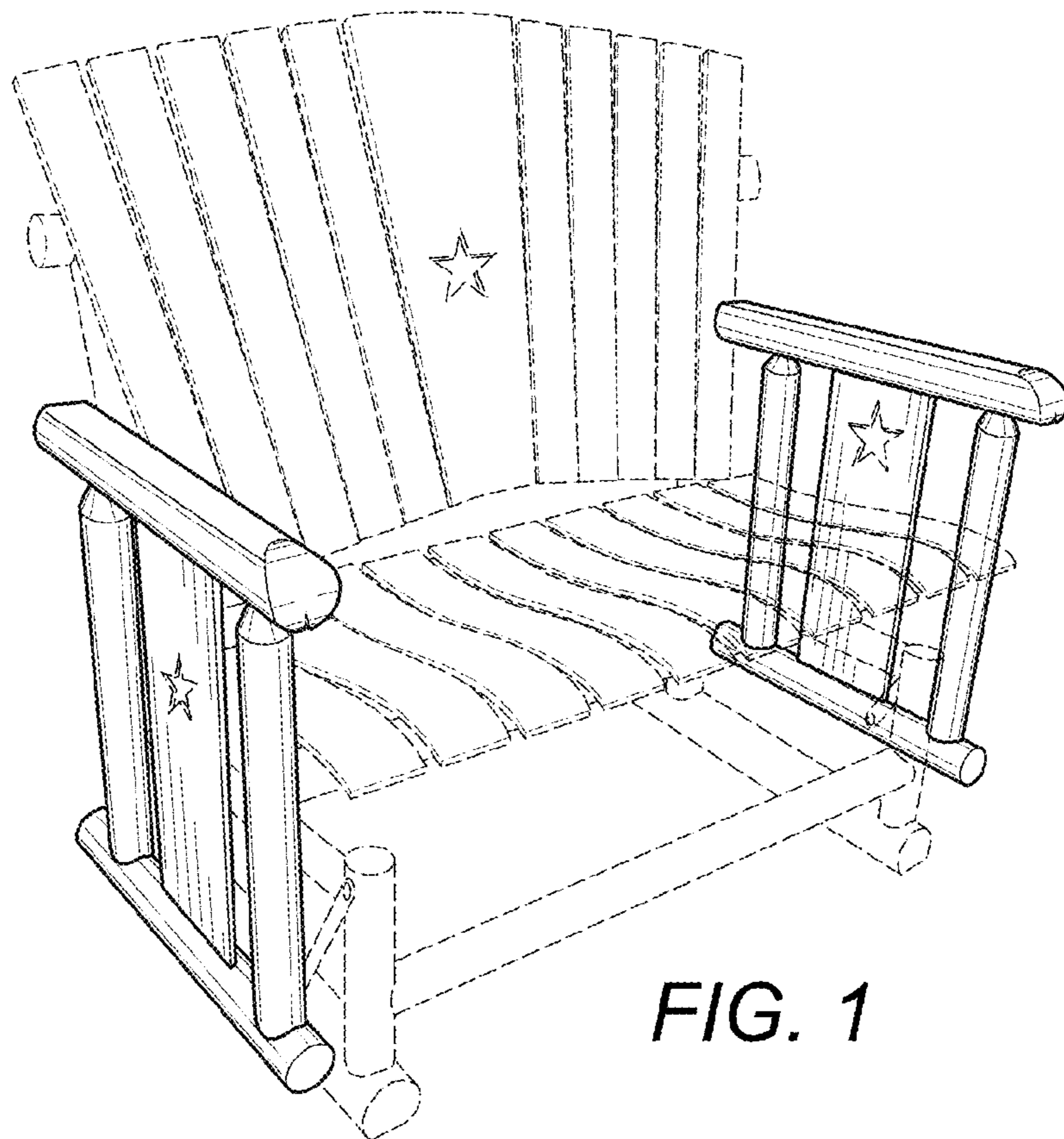


FIG. 1

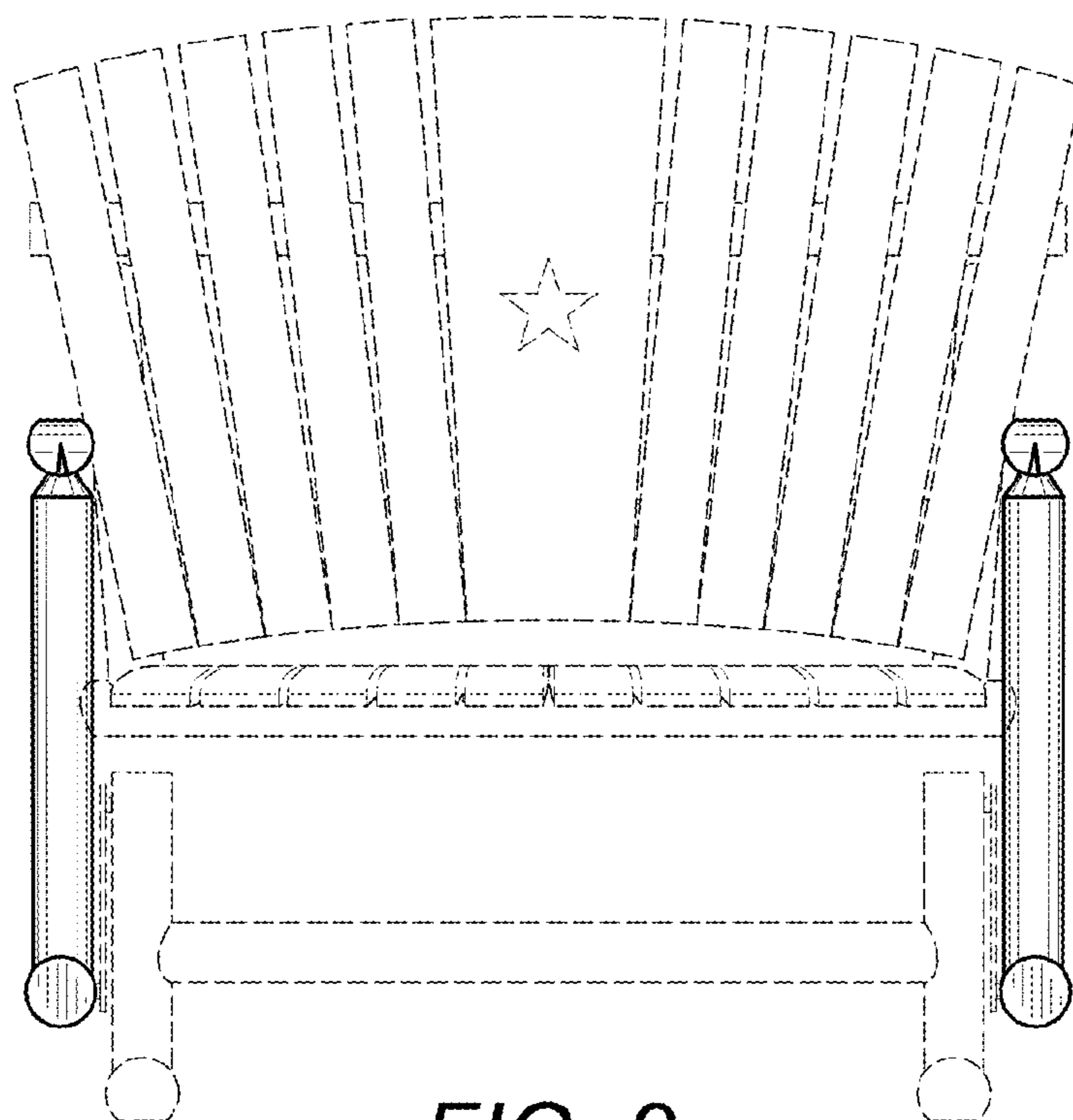


FIG. 2

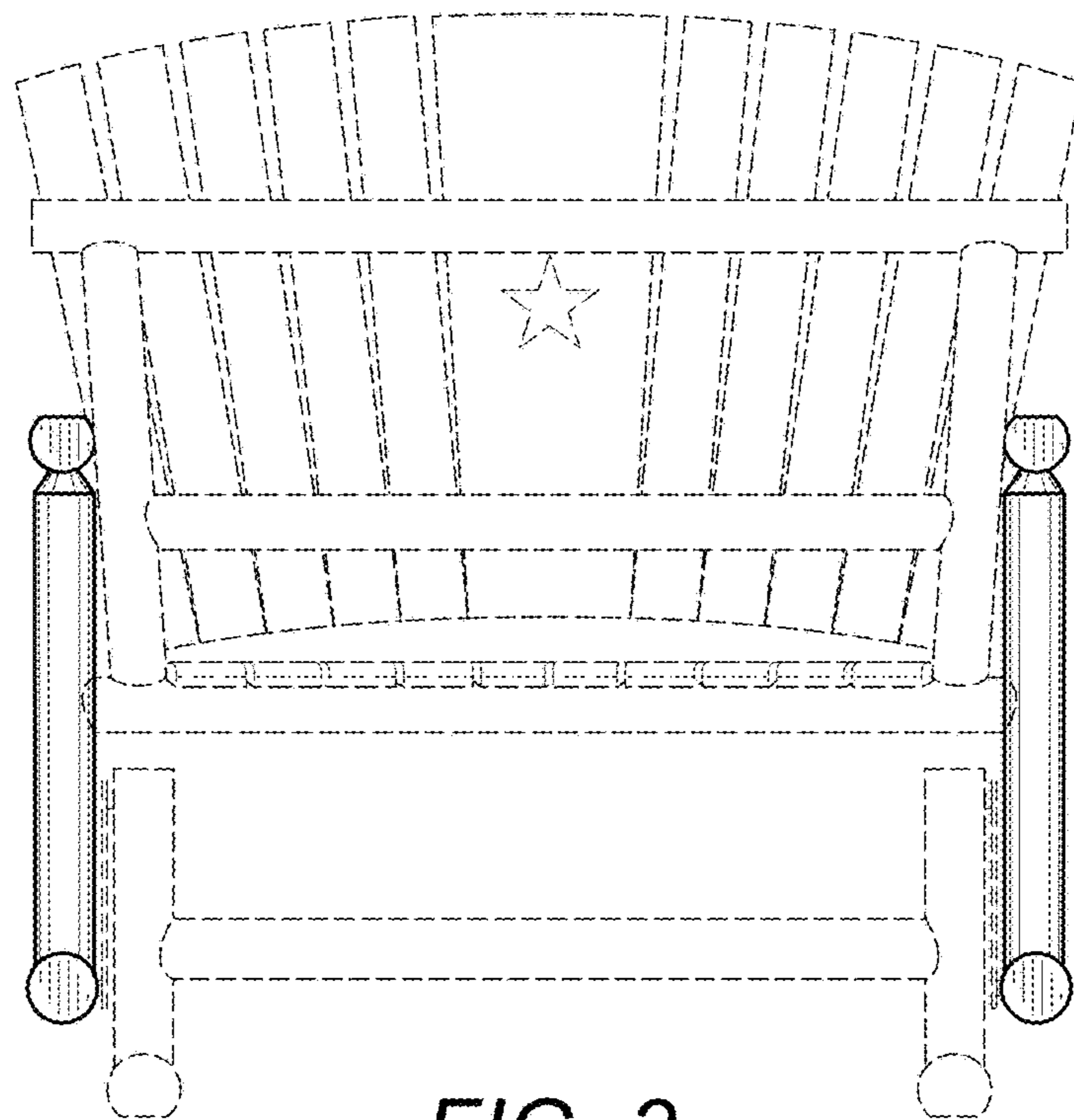


FIG. 3

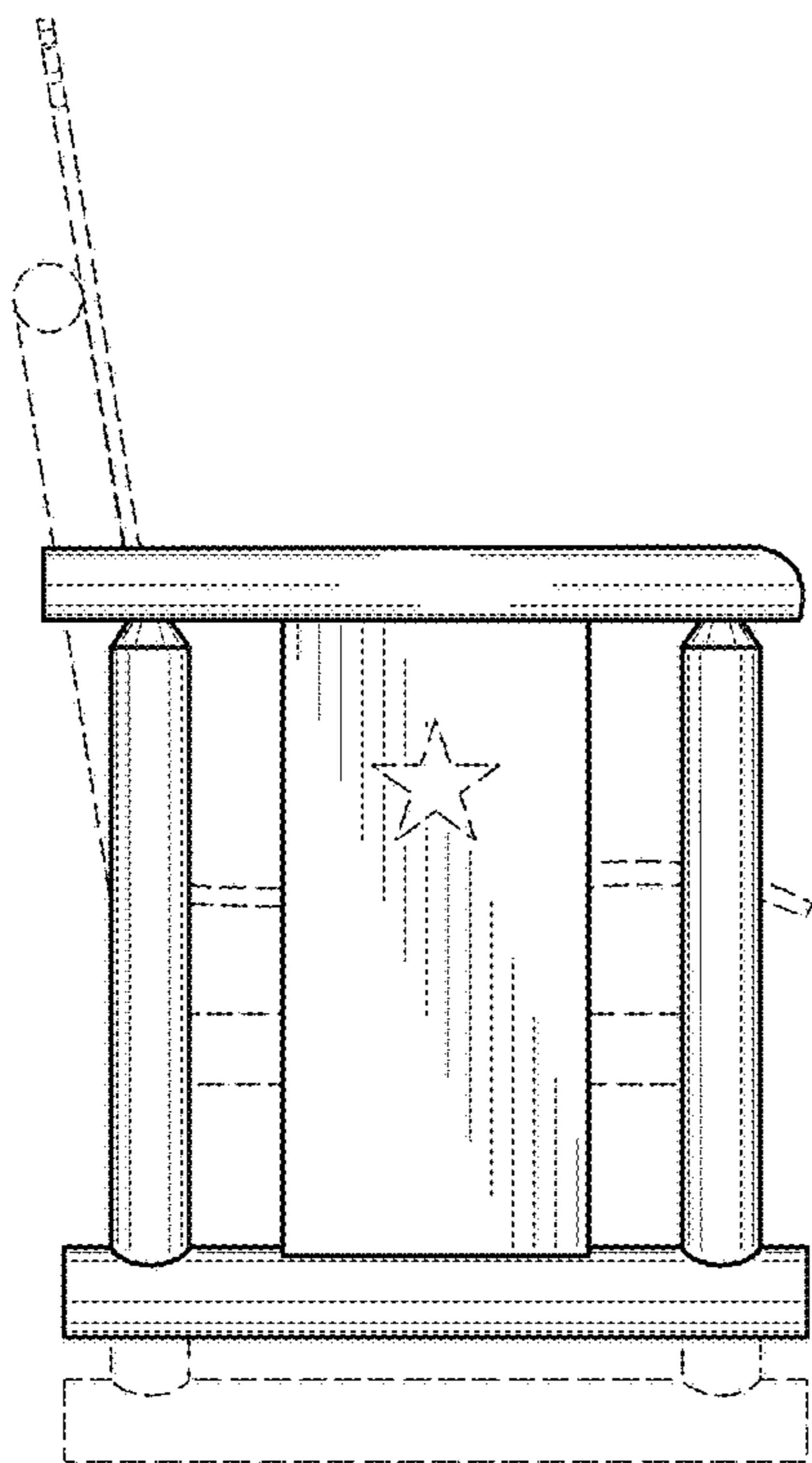


FIG. 4

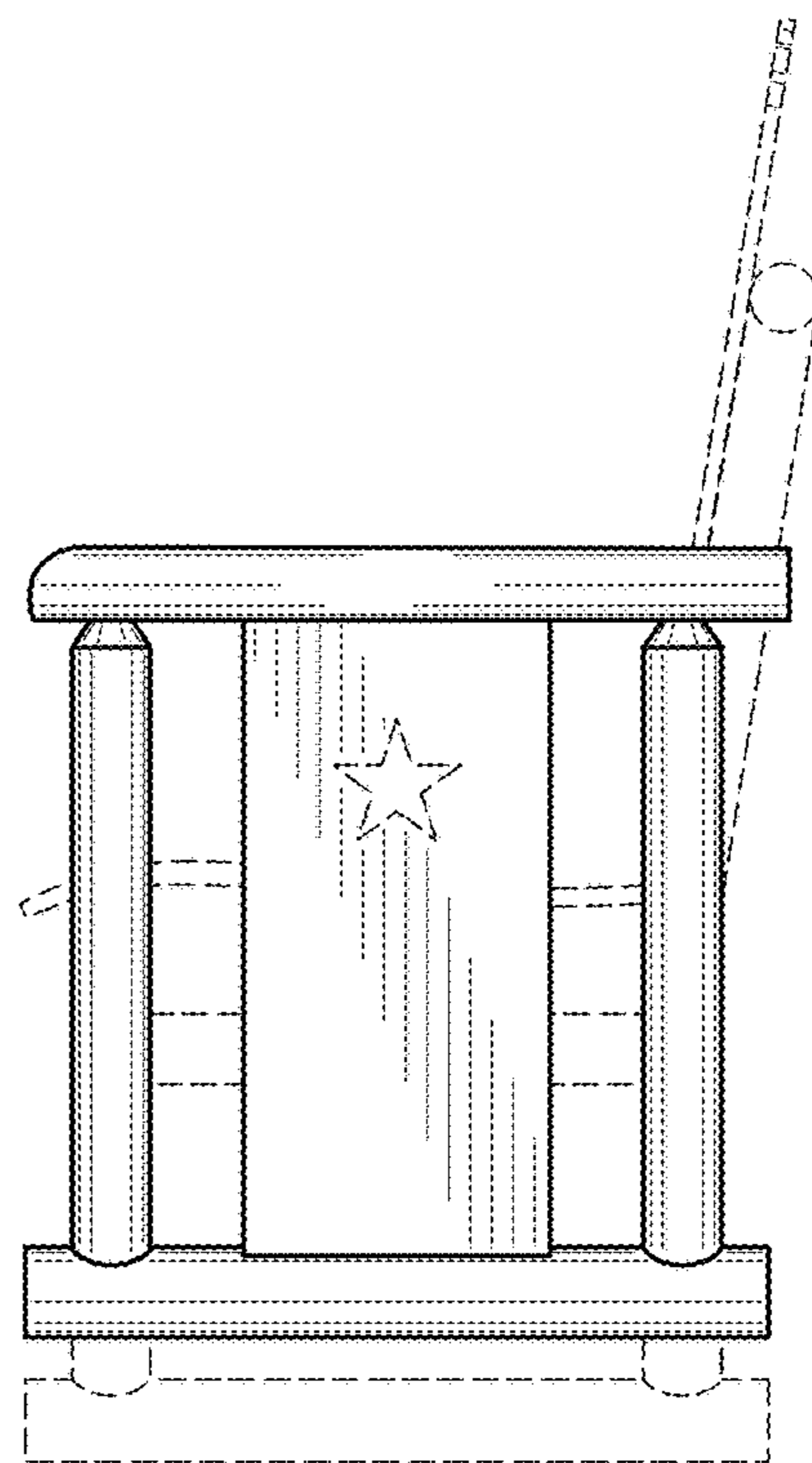
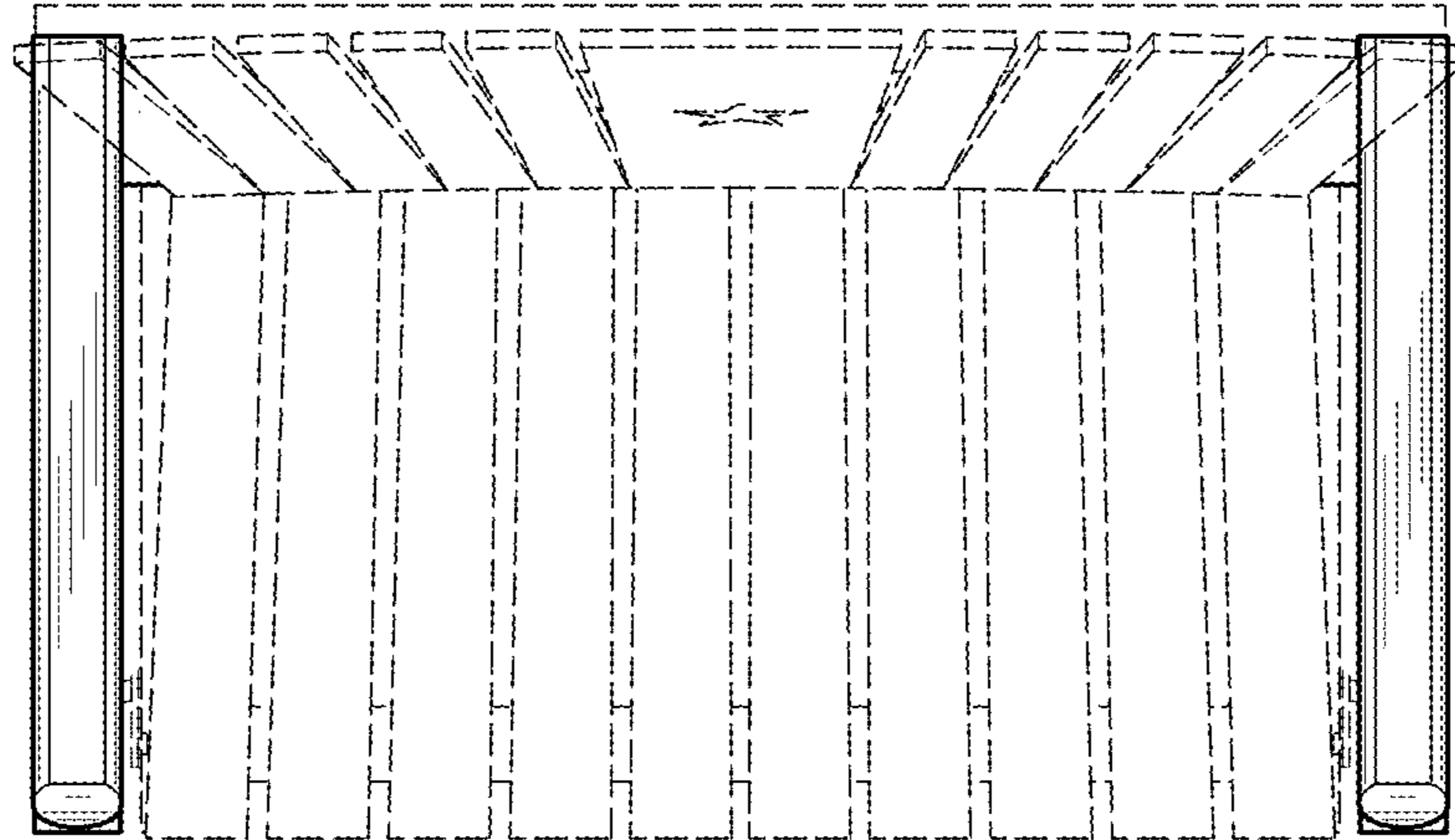
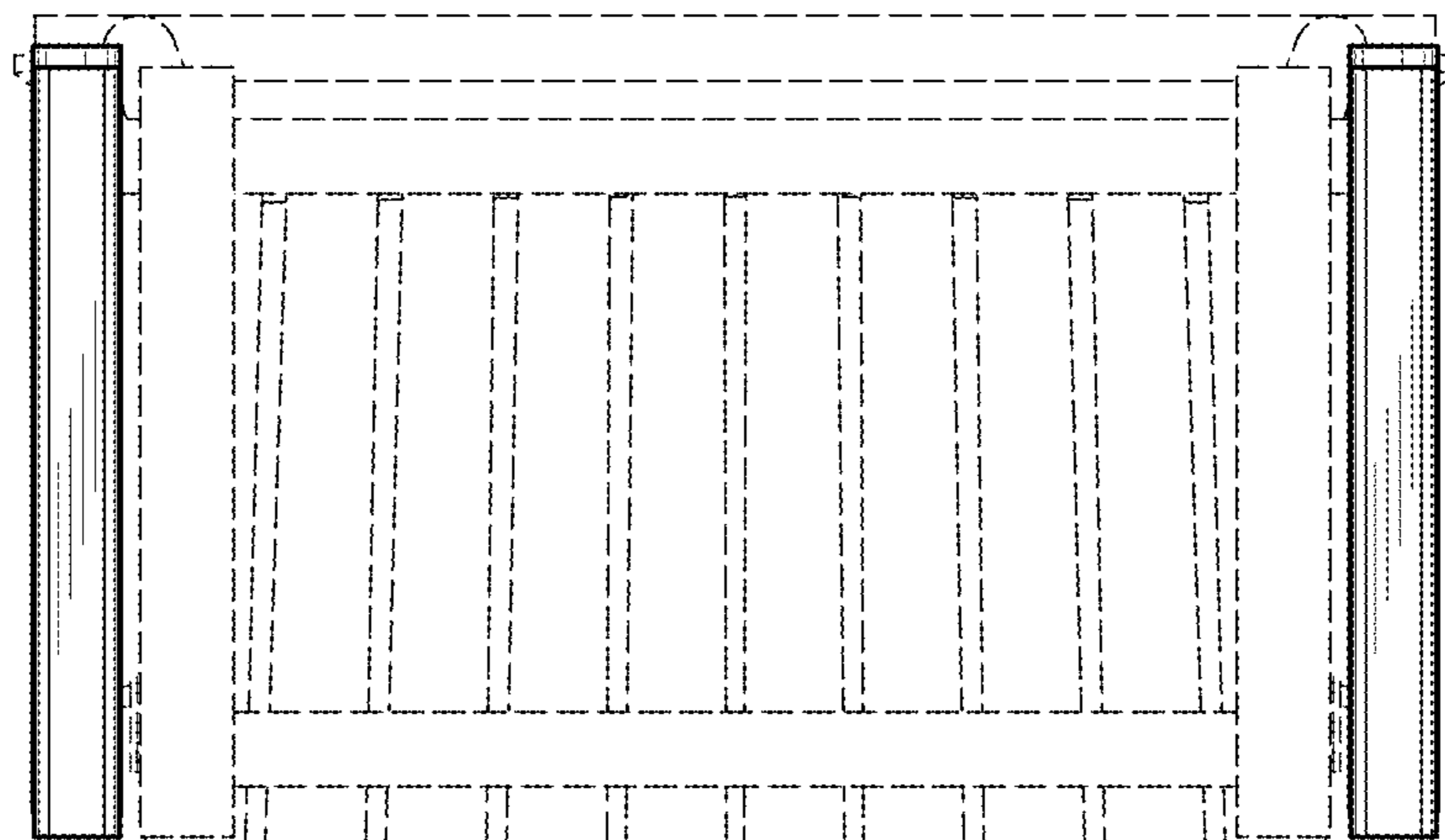


FIG. 5



*FIG. 6*



*FIG. 7*